



US00D706391S

(12) **United States Design Patent**  
**Bamber et al.**

(10) **Patent No.:** **US D706,391 S**  
(45) **Date of Patent:** **\*\* Jun. 3, 2014**

(54) **ANNULAR FLUX COLLECTOR FOR A VALVE BODY**

2009/0025808 A1\* 1/2009 Kacik et al. .... 137/625  
2010/0180968 A1\* 7/2010 Heerklotz ..... 137/625.41  
2012/0085444 A1\* 4/2012 Bollo ..... 137/625

(75) Inventors: **Daniel Bamber**, St. Clair Shores, MI (US); **Robert Dayton**, Attica, MI (US)

\* cited by examiner

(73) Assignee: **Eaton Corporation**, Cleveland, OH (US)

*Primary Examiner* — Cynthia Ramirez

(74) *Attorney, Agent, or Firm* — Quinn Law Group, PLLC

(\*\*) Term: **14 Years**

(57) **CLAIM**

The ornamental design for an annular flux collector for a valve body, as shown and described.

(21) Appl. No.: **29/414,386**

**DESCRIPTION**

(22) Filed: **Feb. 28, 2012**

FIG. 1 is a top view of an annular flux collector in accordance with the present teachings.

(51) **LOC (10) Cl.** ..... **23-01**

FIG. 2 is a bottom view of the annular flux collector of FIG. 1.

(52) **U.S. Cl.**  
USPC ..... **D23/233**

FIG. 3 is a back view of the annular flux collector of FIG. 1.

(58) **Field of Classification Search**  
CPC ..... F16K 31/02; F16K 11/025  
USPC ..... D23/233–237, 244–249; 137/625.5, 137/625.27, 625.44, 625.48, 627.5, 597  
See application file for complete search history.

FIG. 4 is a front view of the annular flux collector of FIG. 1.  
FIG. 5 is a side view of the annular flux collector of FIG. 1.  
FIG. 6 is an opposite side view of the annular flux collector of FIG. 1.

(56) **References Cited**

FIG. 7 is a perspective view of the annular flux collector of FIG. 1; and,

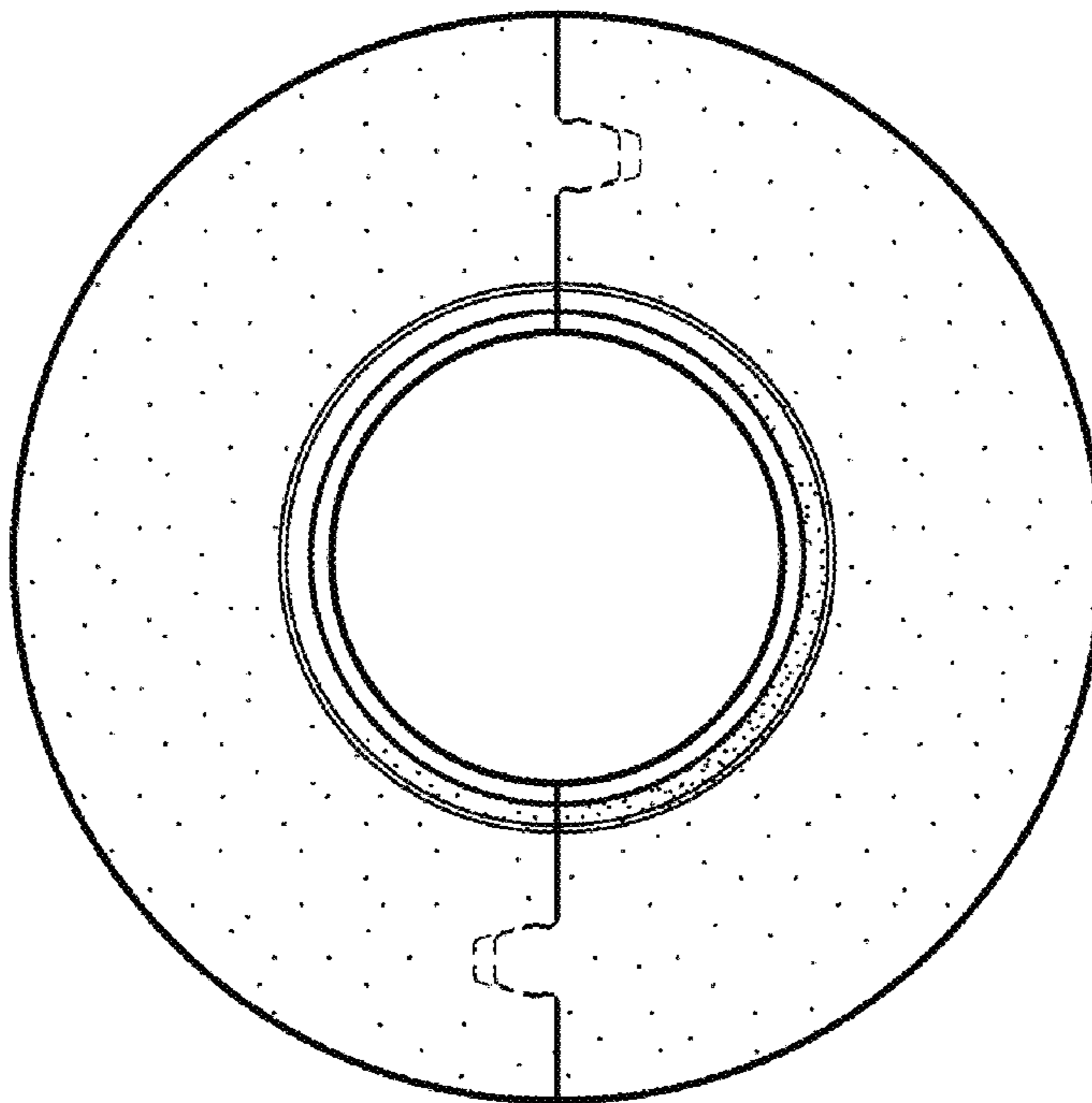
**U.S. PATENT DOCUMENTS**

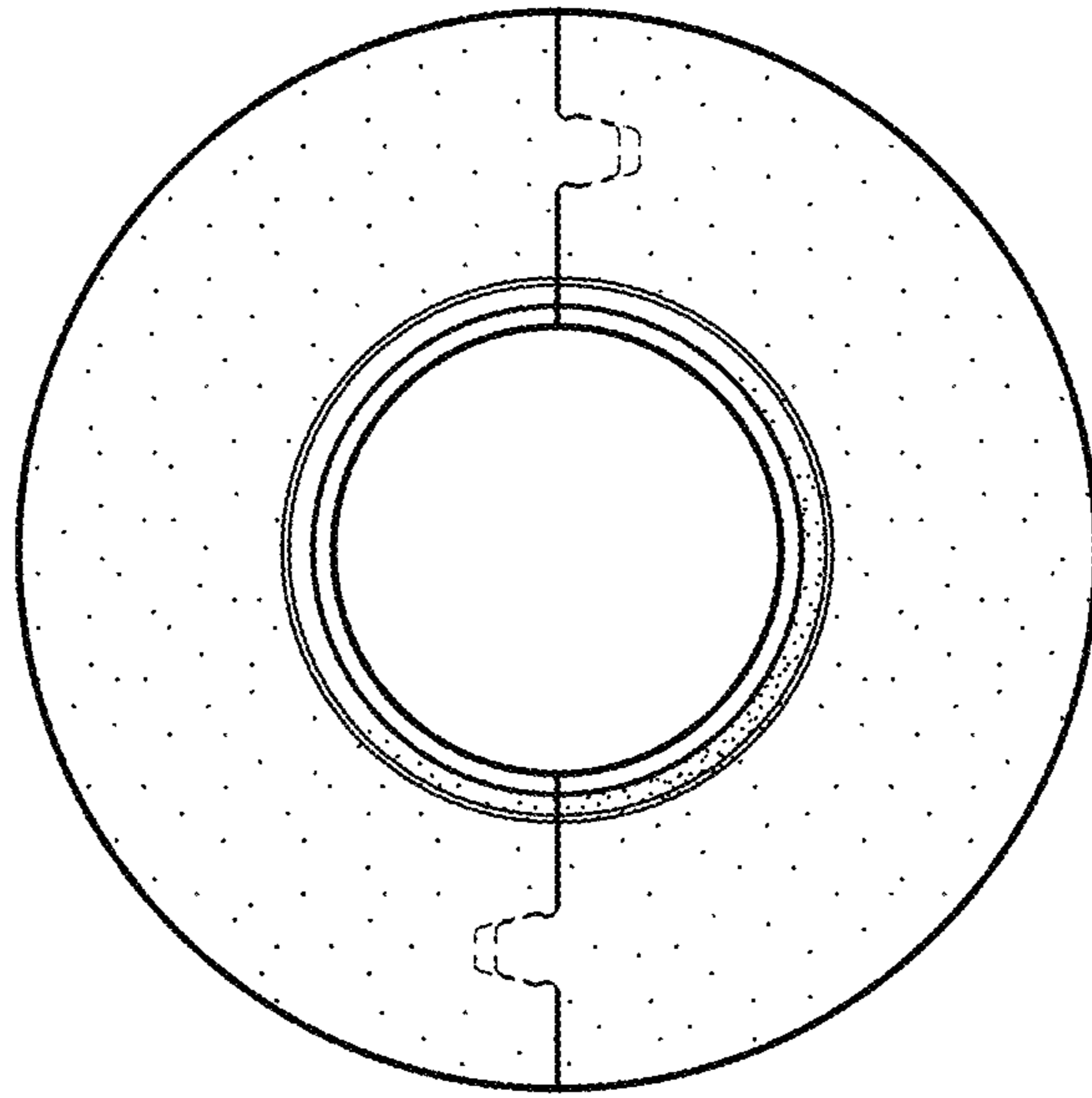
6,164,562 A \* 12/2000 Wu ..... 239/237  
6,453,943 B1 \* 9/2002 Chang ..... 137/597  
D682,989 S \* 5/2013 Eagle ..... D23/233  
2008/0216899 A1 \* 9/2008 Moreno et al. .... 137/219

FIG. 8 is an exploded perspective view of the annular flux collector of FIG. 1.

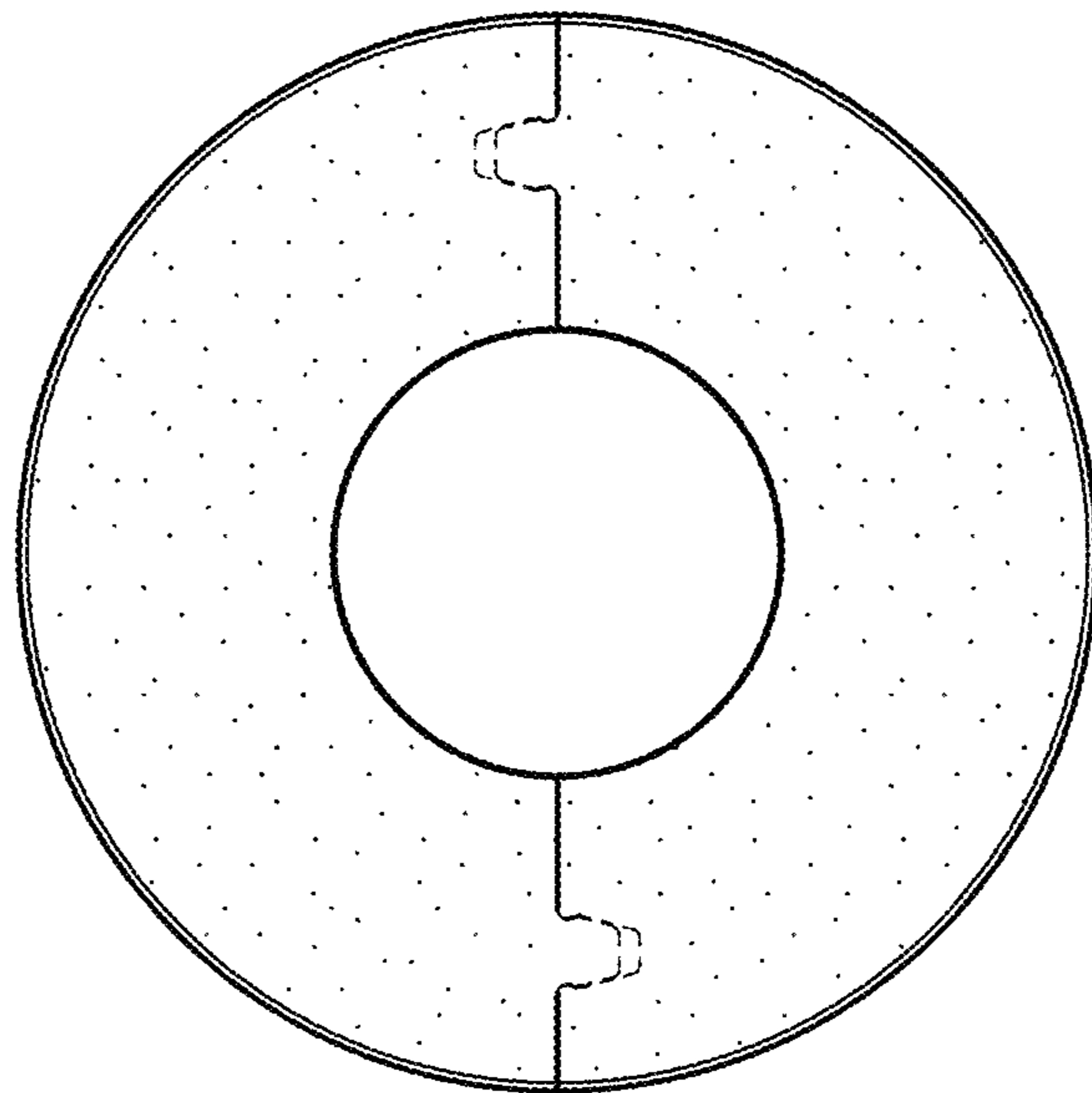
The broken lines showing portions of the annular flux collector and showing the valve body extension form no part of the claimed design.

**1 Claim, 3 Drawing Sheets**

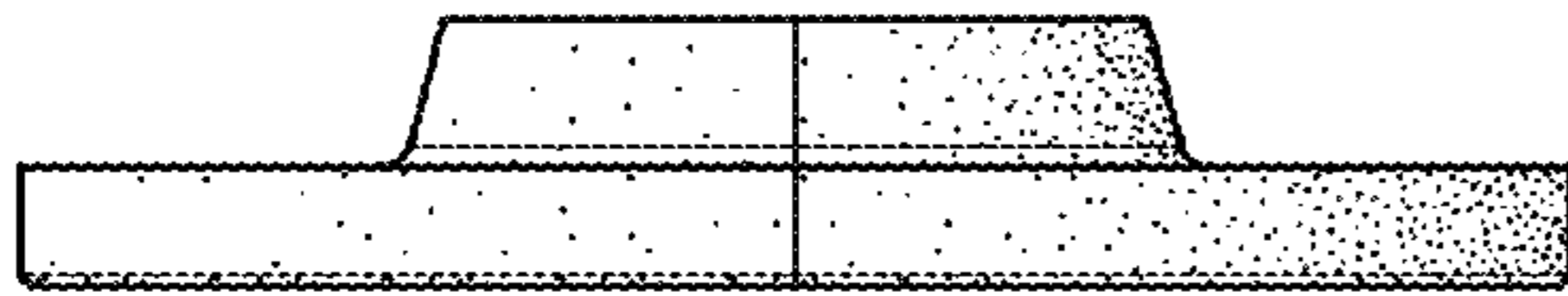




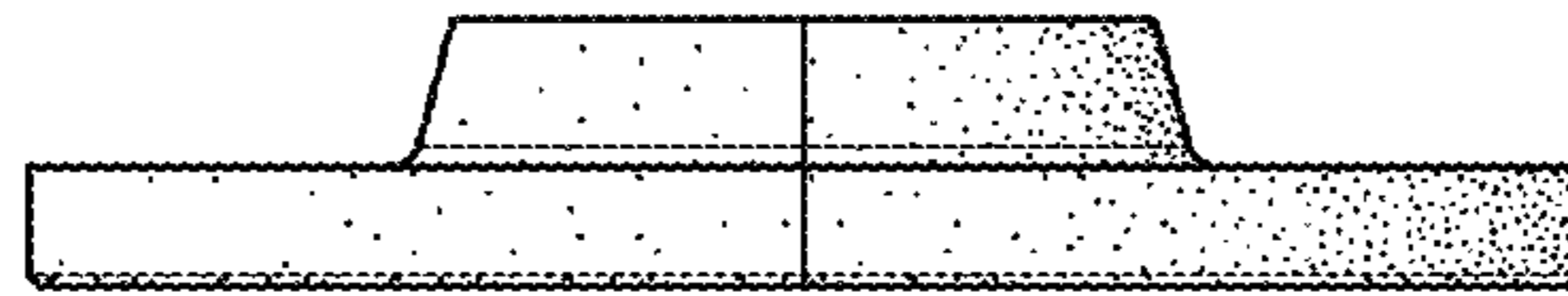
***FIG. 1***



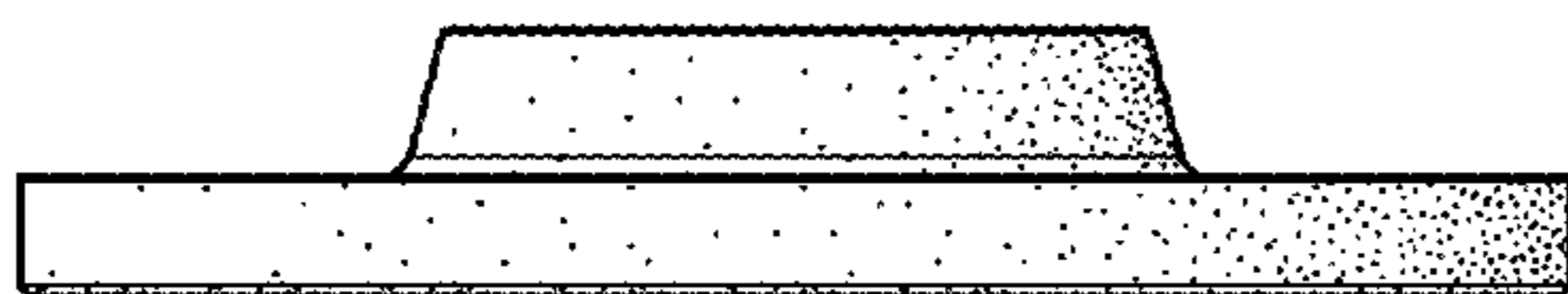
***FIG. 2***



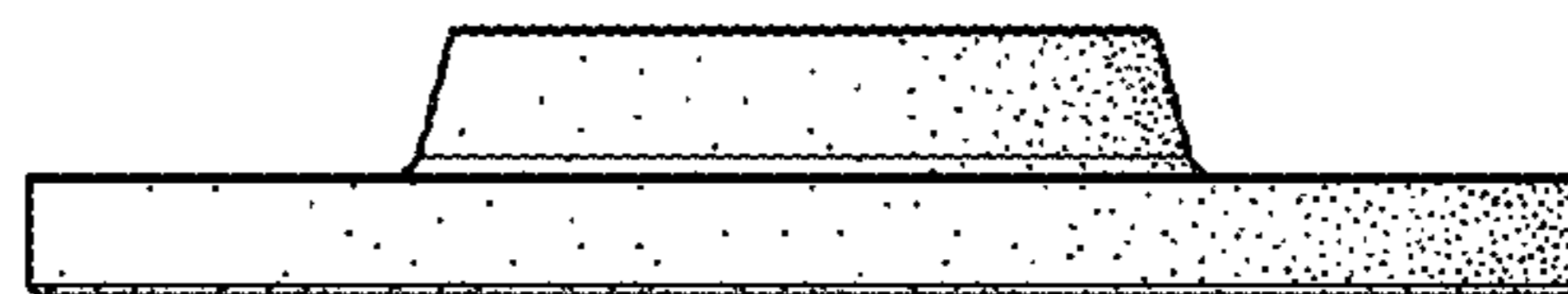
***FIG. 3***



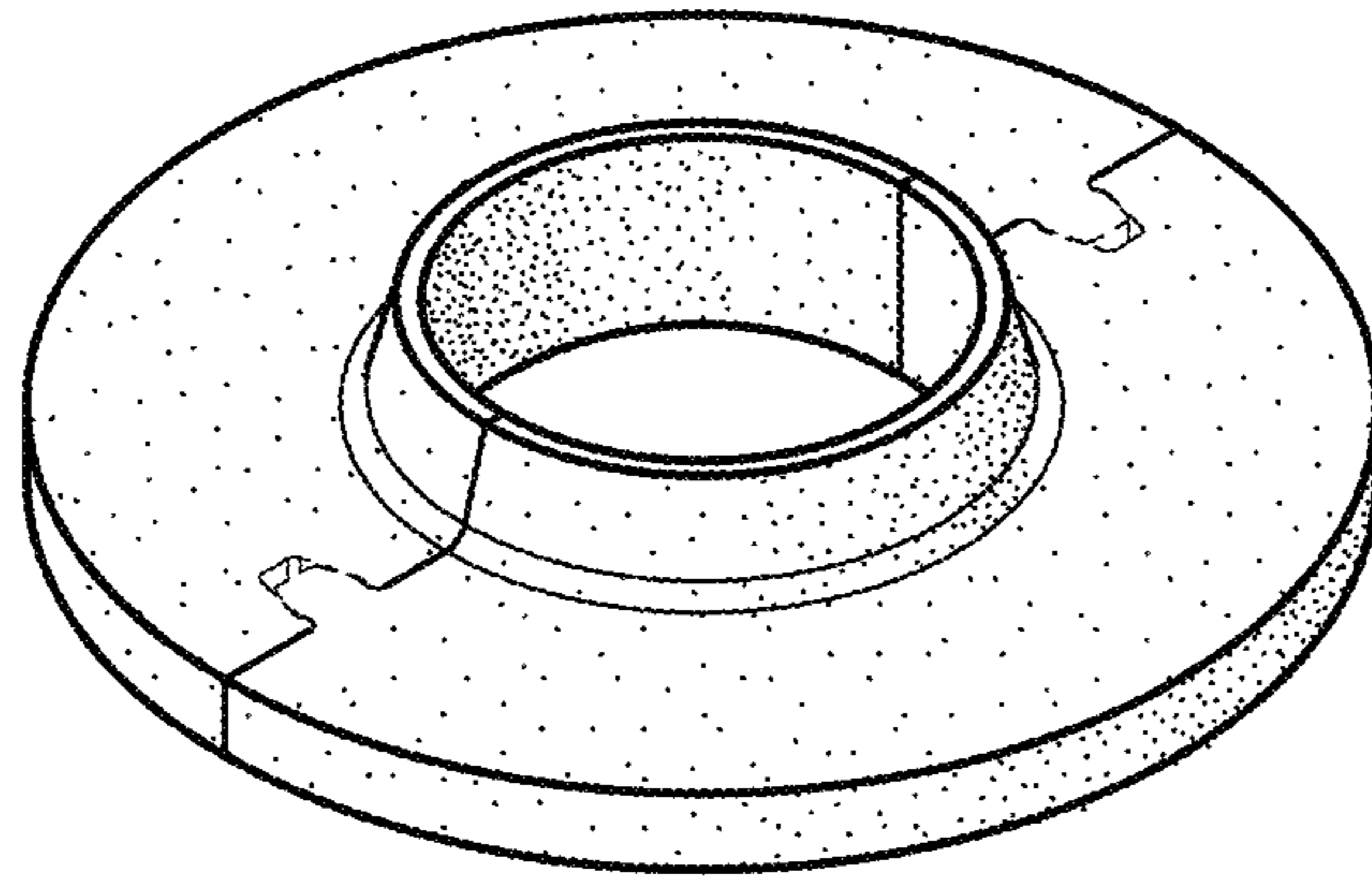
***FIG. 4***



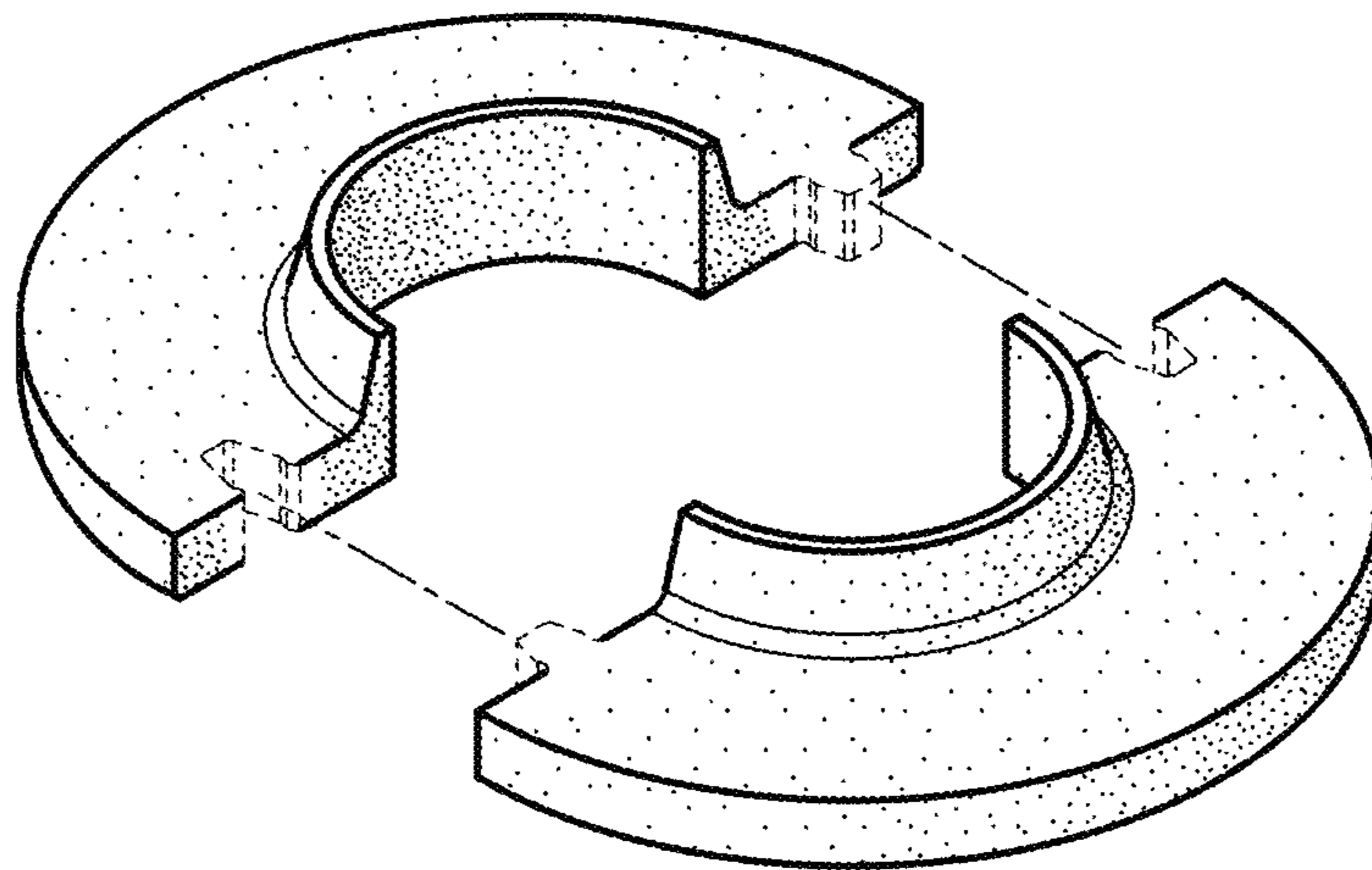
***FIG. 5***



***FIG. 6***



**FIG. 7**



**FIG. 8**