



US00D706388S

(12) **United States Design Patent**
Abernethy et al.

(10) **Patent No.:** **US D706,388 S**

(45) **Date of Patent:** **** Jun. 3, 2014**

(54) **MANUALLY OPERATED SPRAY TANK**

(56)

References Cited

(71) Applicant: **The Fountainhead Group, Inc.**, New York Mills, NY (US)

U.S. PATENT DOCUMENTS

(72) Inventors: **Todd B. Abernethy**, Skaneateles, NY (US); **Mario J. Restive**, Frankfort, NY (US); **George A. Mitchell**, Utica, NY (US); **Donwoong Kang**, Camillus, NY (US); **David L. Hine**, Skaneateles, NY (US)

| | | | |
|--------------|---------|-----------------------|---------|
| D231,783 S * | 6/1974 | Morehouse et al. | D23/225 |
| D428,470 S * | 7/2000 | Bower et al. | D23/225 |
| D474,256 S * | 5/2003 | Hubmann et al. | D23/213 |
| D542,373 S * | 5/2007 | Cooper | D23/225 |
| D639,389 S * | 6/2011 | Plantz et al. | D23/225 |
| D649,624 S * | 11/2011 | Hudson et al. | D23/225 |
| D664,236 S * | 7/2012 | Hudson et al. | D23/225 |

* cited by examiner

Primary Examiner — Robin V Webster

(73) Assignee: **The Fountainhead Group, Inc.**, New York Mills, NY (US)

(74) *Attorney, Agent, or Firm* — George R. McGuire; Bond Schoeneck & King, PLLC

(**) Term: **14 Years**

(57) **CLAIM**

The ornamental design for a manually operated spray tank, as shown and described.

(21) Appl. No.: **29/461,521**

DESCRIPTION

(22) Filed: **Jul. 24, 2013**

(51) **LOC (10) Cl.** **23-01**

(52) **U.S. Cl.**

USPC **D23/225**

(58) **Field of Classification Search**

USPC D23/213, 225; 239/152–154, 302, 337, 239/310; 222/465.1, 383.1, 137, 626

FIG. 1 is a perspective view of a new and ornamental design for a manually operated spray tank, the shroud being shown in phantom lines for environmental purposes only;

FIG. 2 is a front elevation view thereof;

FIG. 3 is a rear elevation view thereof;

FIG. 4 is a first side elevation view thereof;

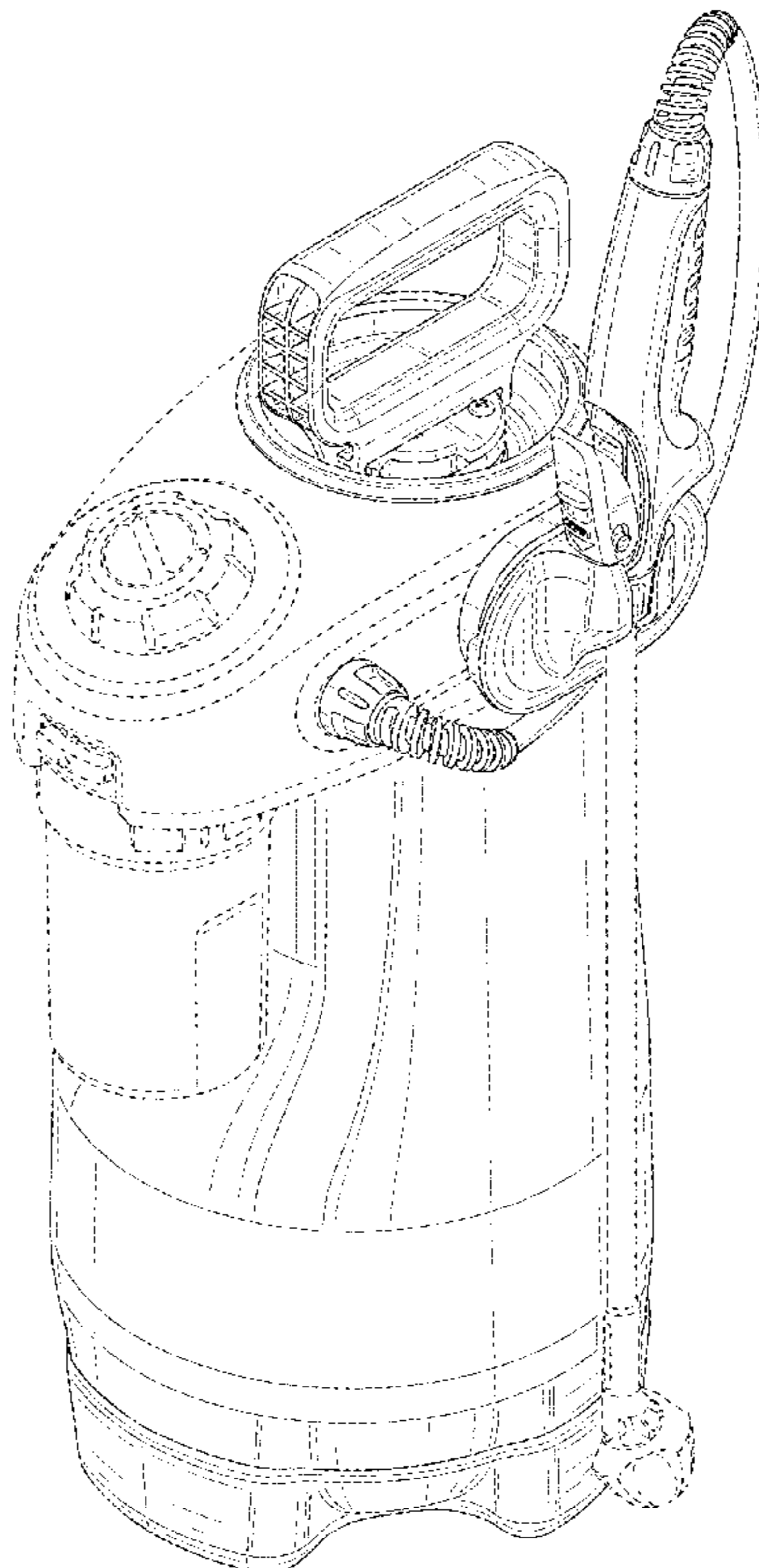
FIG. 5 is a second side elevation view thereof;

FIG. 6 is a top plan view thereof; and,

FIG. 7 is a bottom plan view thereof.

See application file for complete search history.

1 Claim, 6 Drawing Sheets



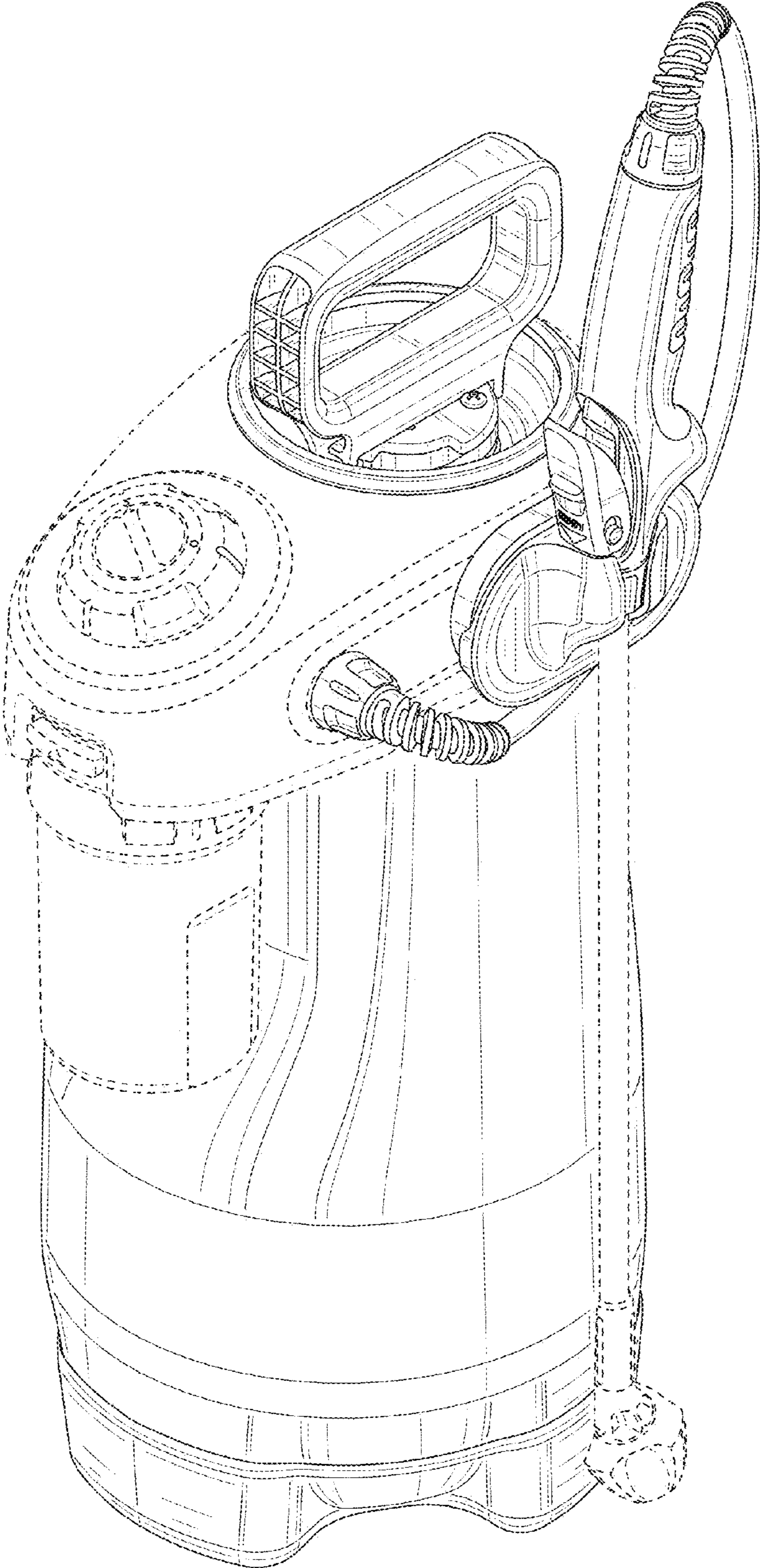


FIG. 1

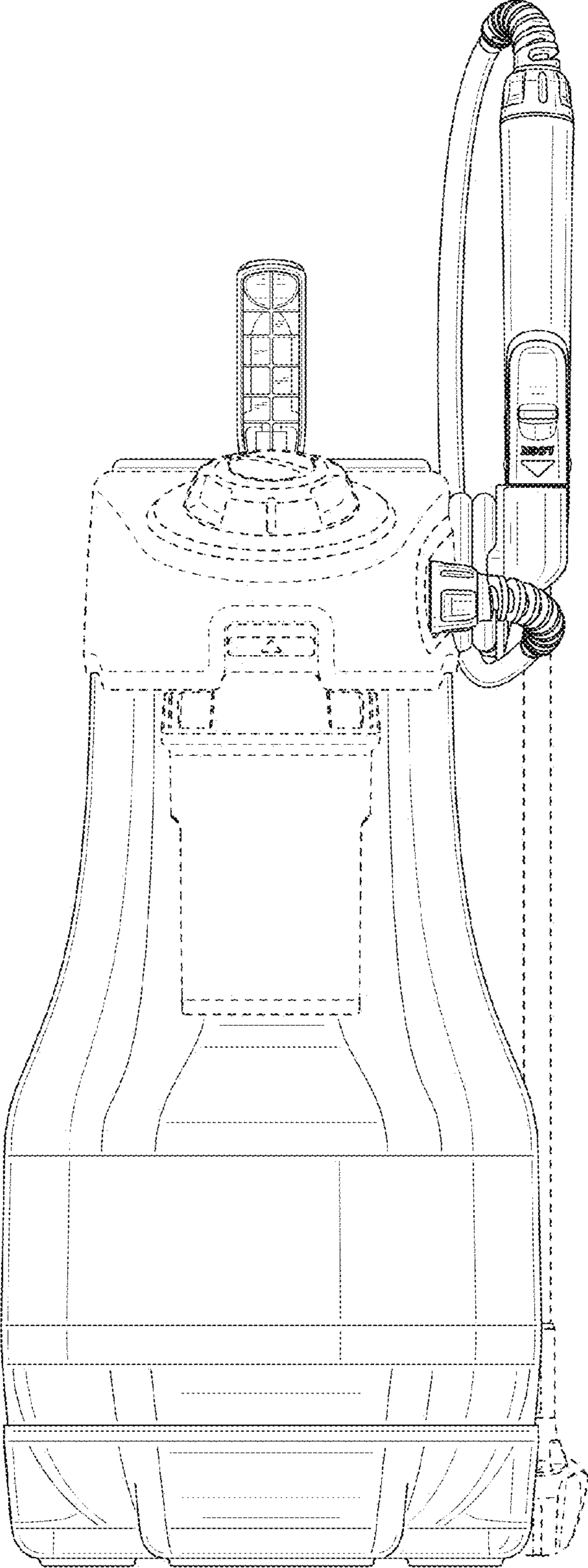


FIG. 2

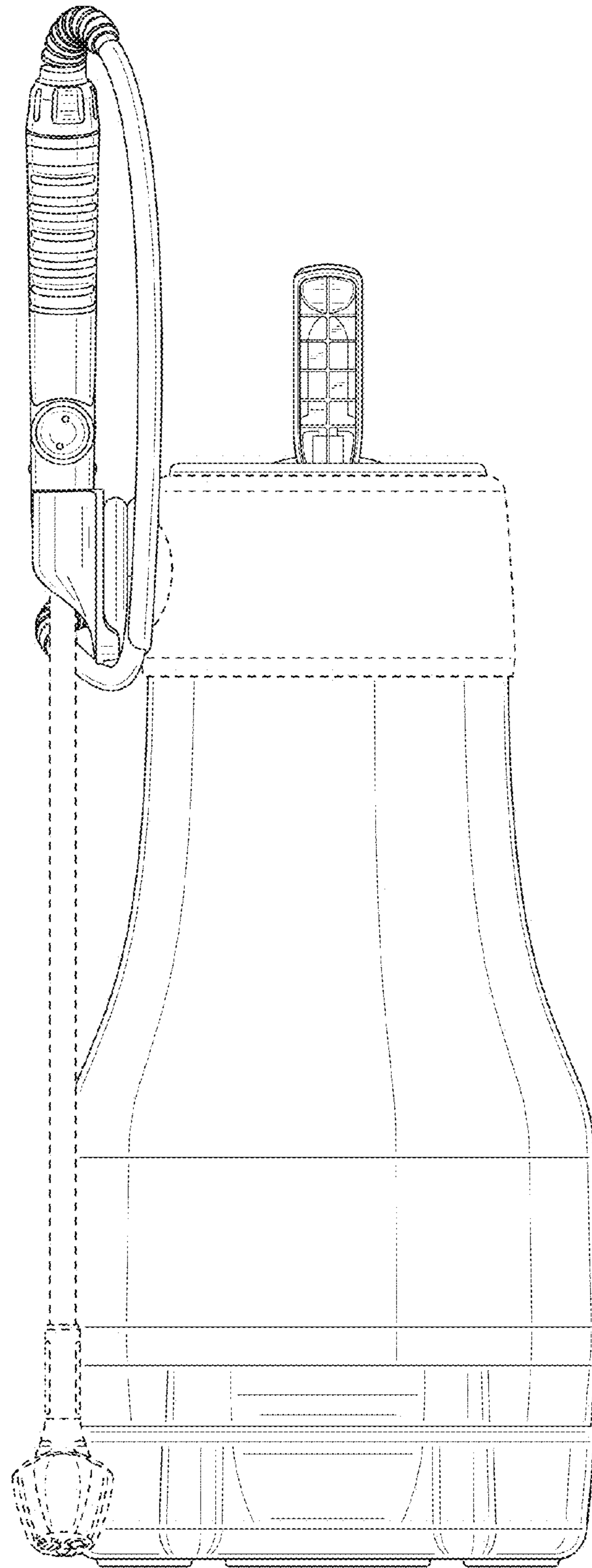


FIG. 3

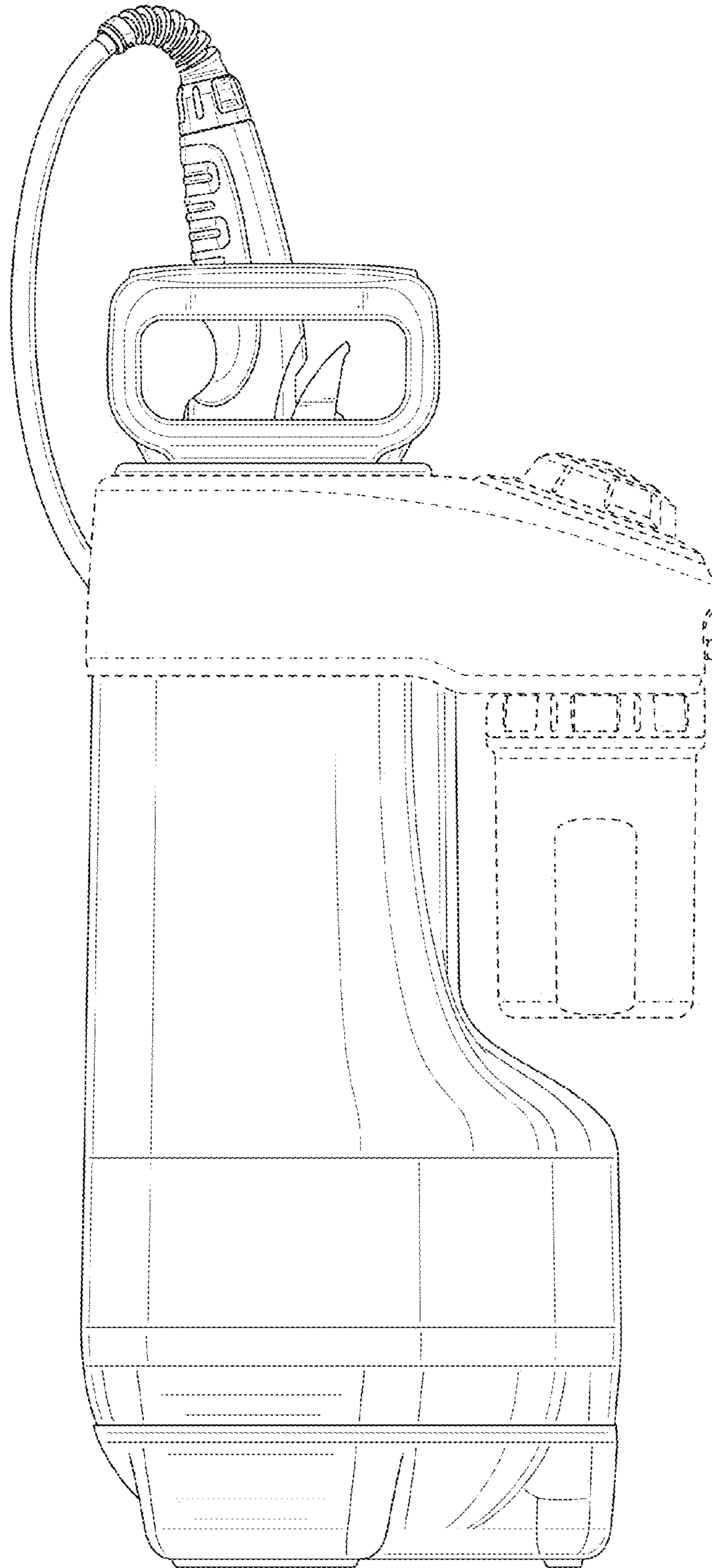


FIG. 4

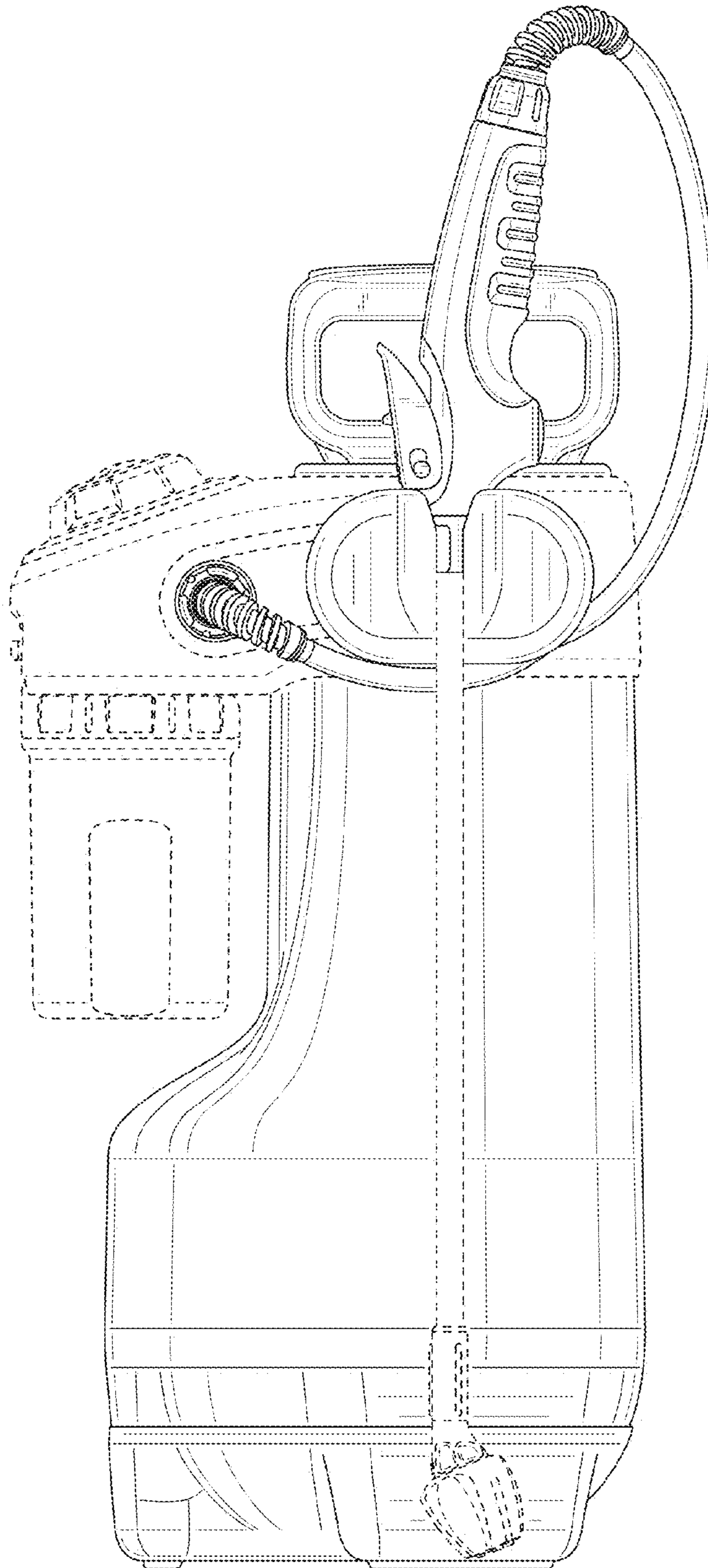


FIG. 5

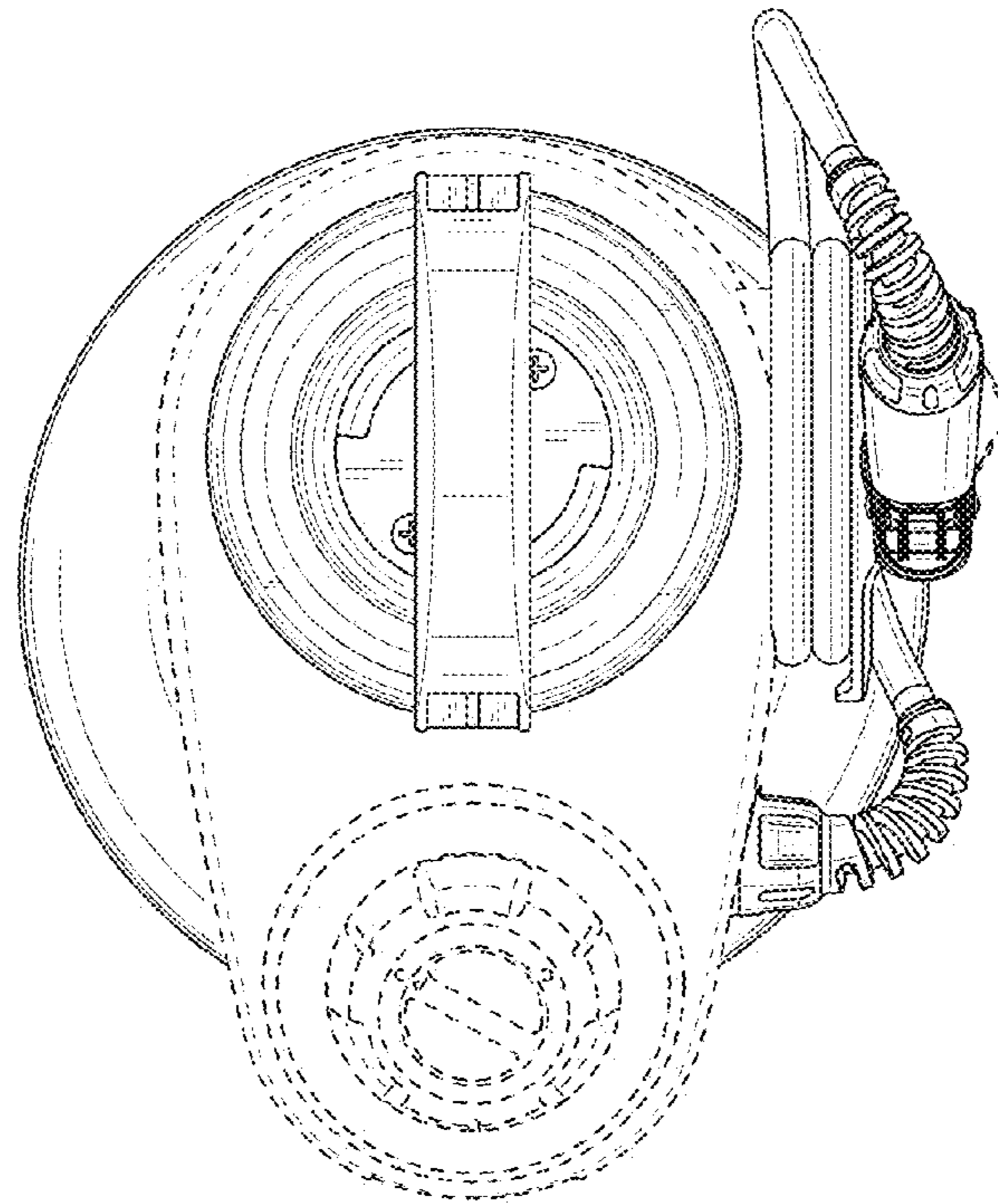


FIG. 6

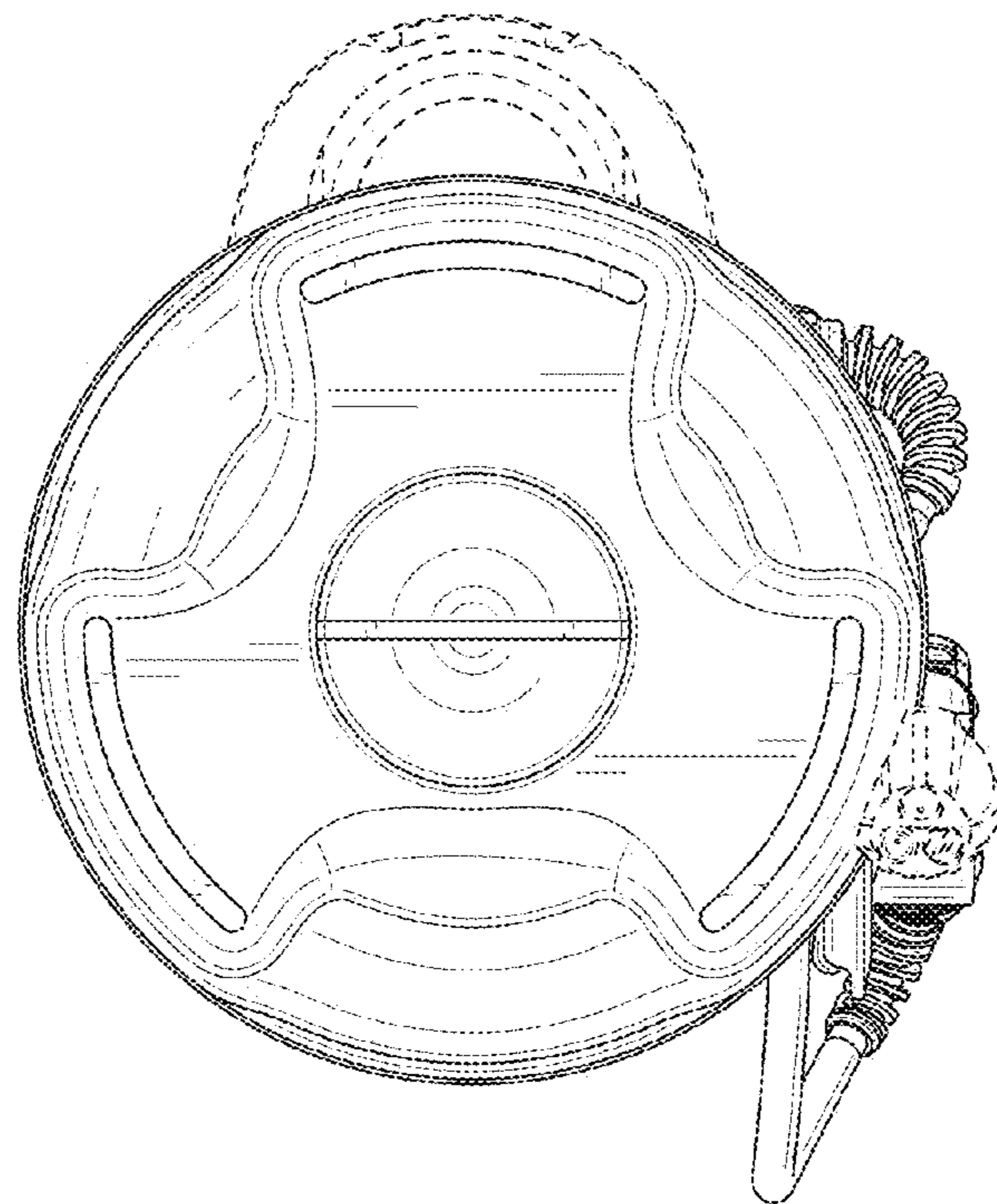


FIG. 7