



US00D706386S

(12) **United States Design Patent**
Ambler et al.

(10) **Patent No.:** **US D706,386 S**
(45) **Date of Patent:** **** Jun. 3, 2014**

(54) **HOUSING FOR A WATER VAPOR
DISTILLATION APPARATUS**

Primary Examiner — Robin V Webster
(74) *Attorney, Agent, or Firm* — Michelle Saquet Temple

(75) Inventors: **Paul R. Ambler**, Manchester, NH (US);
Michael S. Place, Manchester, NH (US);
David E. Collins, Methuen, MA (US)

(57) **CLAIM**
The ornamental design for a housing for a water vapor distillation apparatus, as shown and described.

(73) Assignee: **DEKA Products Limited Partnership**,
Manchester, NH (US)

DESCRIPTION

(**) Term: **14 Years**

(21) Appl. No.: **29/428,272**

(22) Filed: **Jul. 27, 2012**

(51) **LOC (10) Cl.** **23-01**

(52) **U.S. Cl.**
USPC **D23/207**

(58) **Field of Classification Search**
USPC D23/207, 209; 210/241, 232, 435
See application file for complete search history.

FIG. 1 is a front-top perspective view of a housing for a water vapor distillation apparatus showing the claimed design;
FIG. 2 is a back-top perspective view thereof;
FIG. 3 is a right side view thereof;
FIG. 4 is a front view thereof
FIG. 5 is a left side view thereof;
FIG. 6 is a back view thereof;
FIG. 7 is a top view thereof;
FIG. 8 is a bottom view thereof;
FIG. 9 is a front-top perspective view of a housing for a water vapor distillation apparatus showing the claimed design;
FIG. 10 is a back-top perspective view thereof;
FIG. 11 is a right side view thereof;
FIG. 12 is a front view thereof
FIG. 13 is a left side view thereof;
FIG. 14 is a back view thereof;
FIG. 15 is a top view thereof; and,
FIG. 16 is a bottom view thereof.

(56) **References Cited**

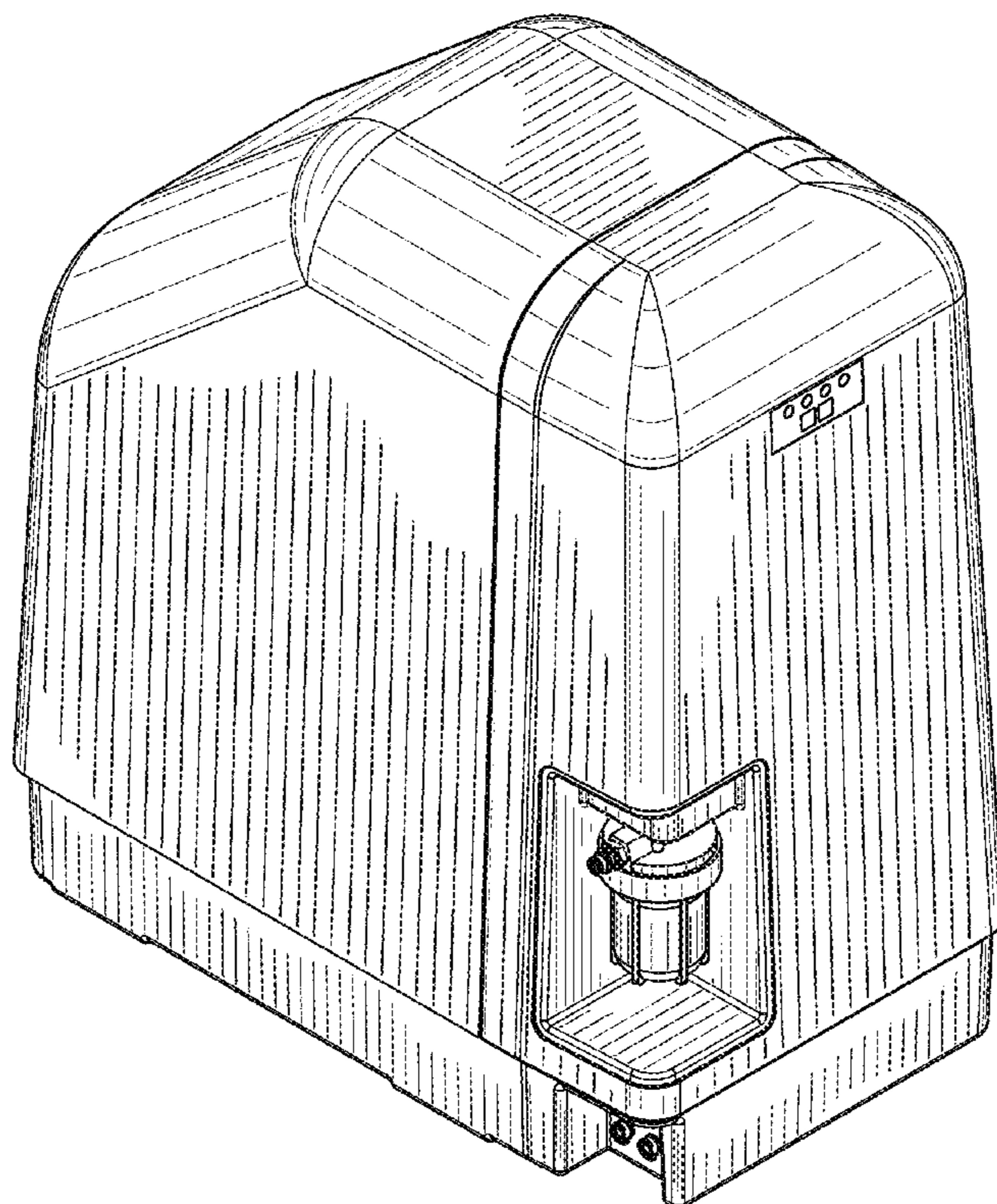
U.S. PATENT DOCUMENTS

D355,241 S *	2/1995	Zylstra et al.	D23/209
D486,883 S *	2/2004	O'Loughlin	D23/209
D634,399 S *	3/2011	Palmer et al.	D23/209

The broken lines form the boundary of the claimed design and form no part of the claimed design.

* cited by examiner

1 Claim, 16 Drawing Sheets



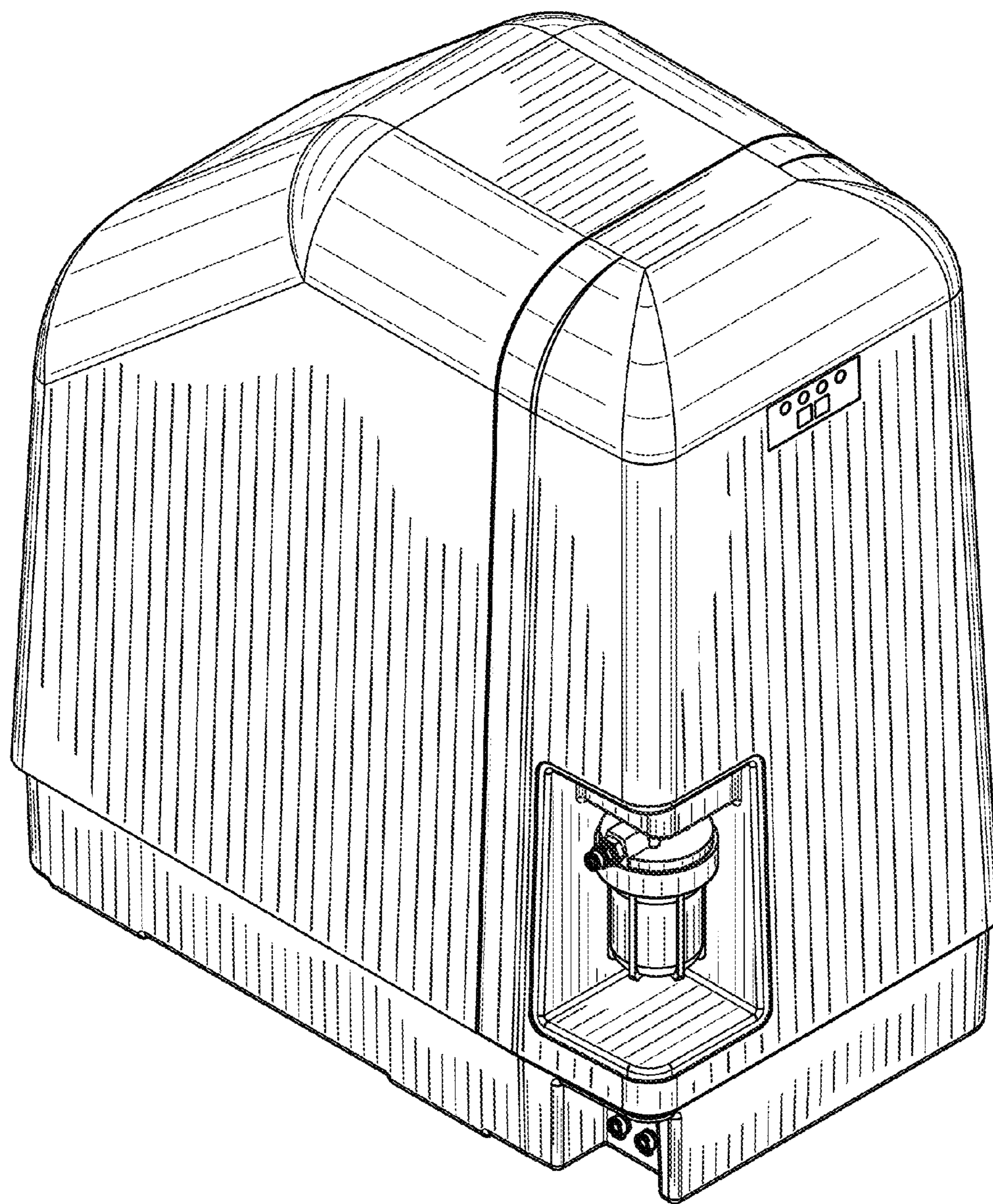


FIG. 1

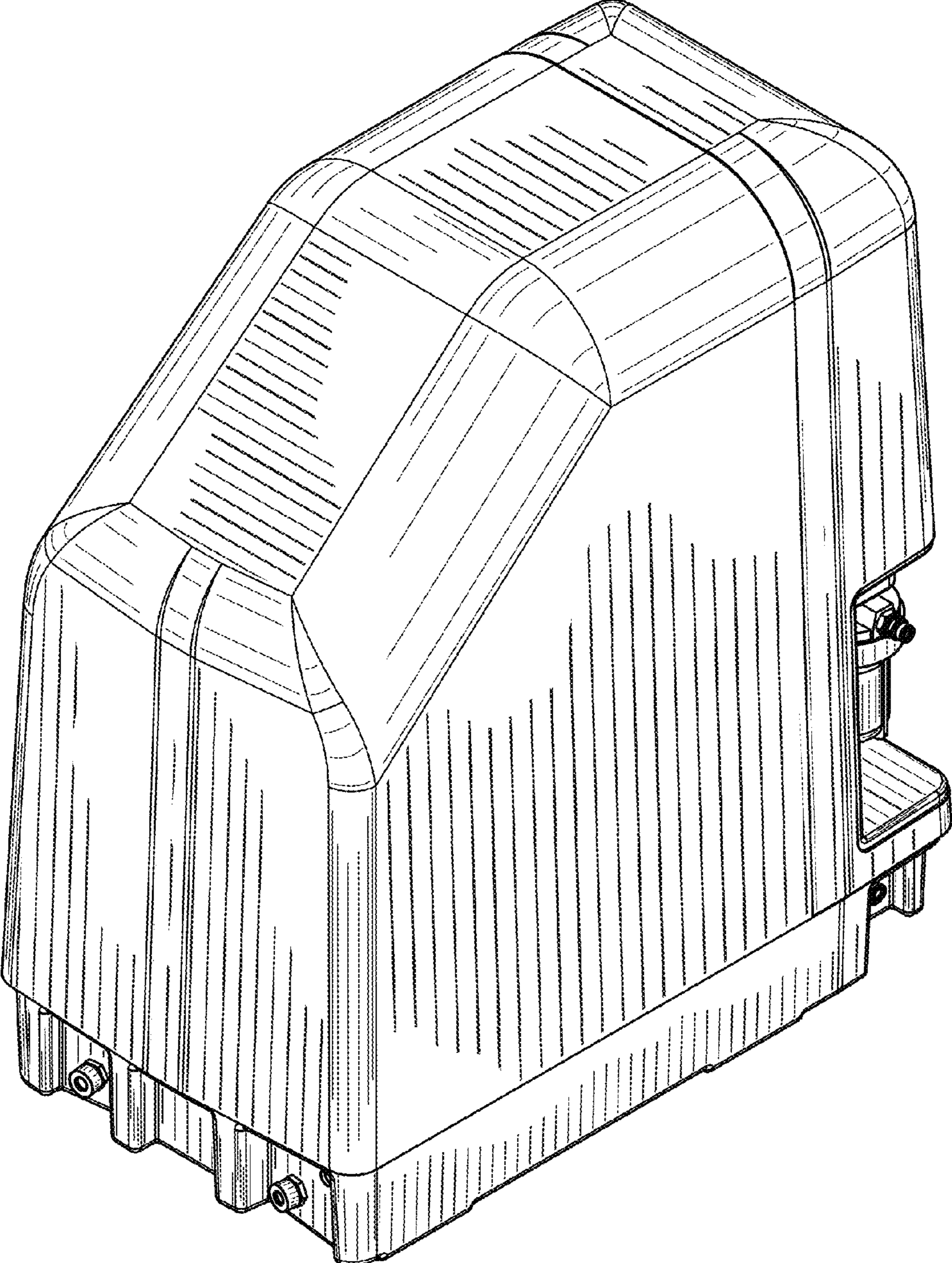


FIG. 2

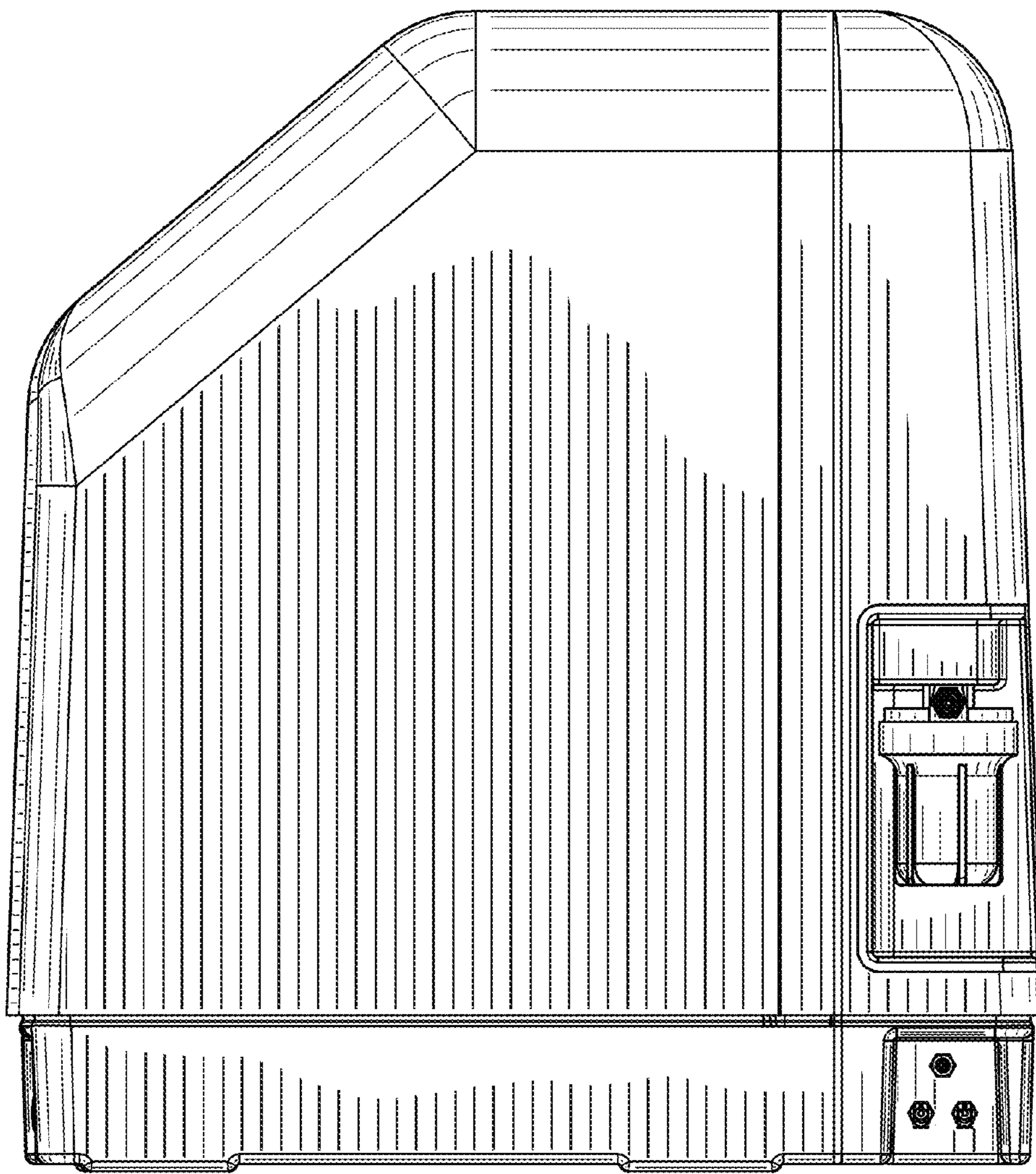


FIG. 3

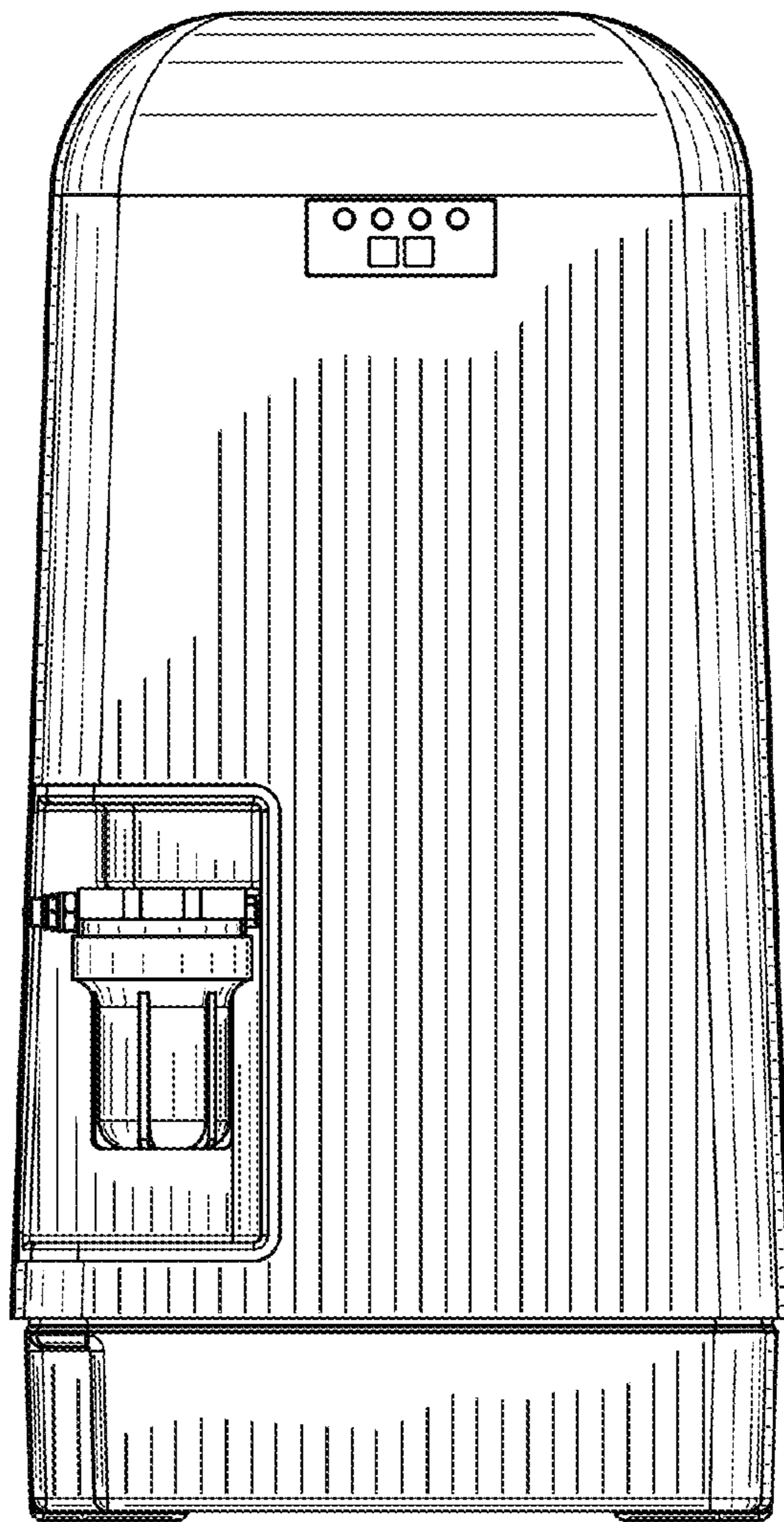


FIG. 4

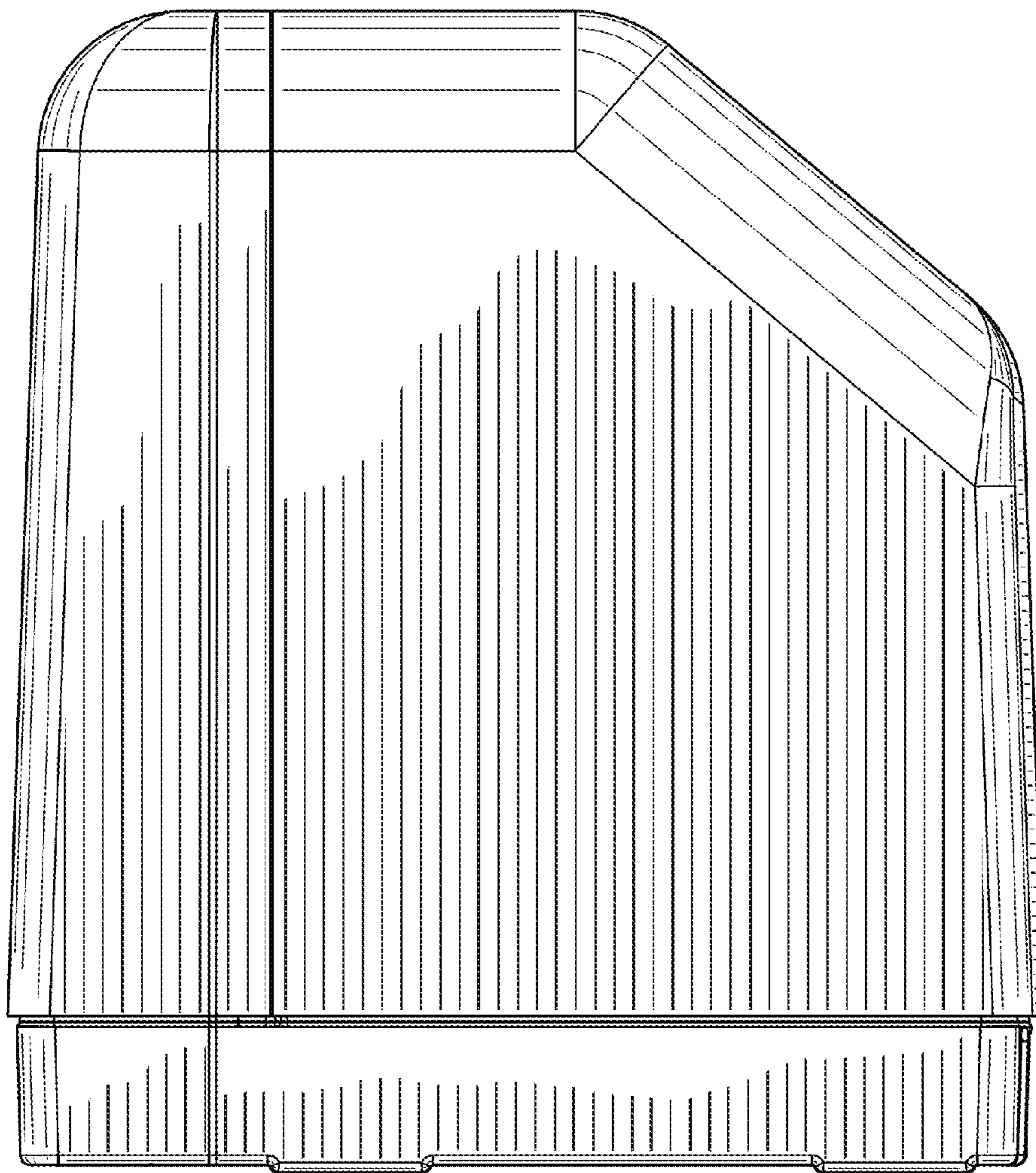


FIG. 5

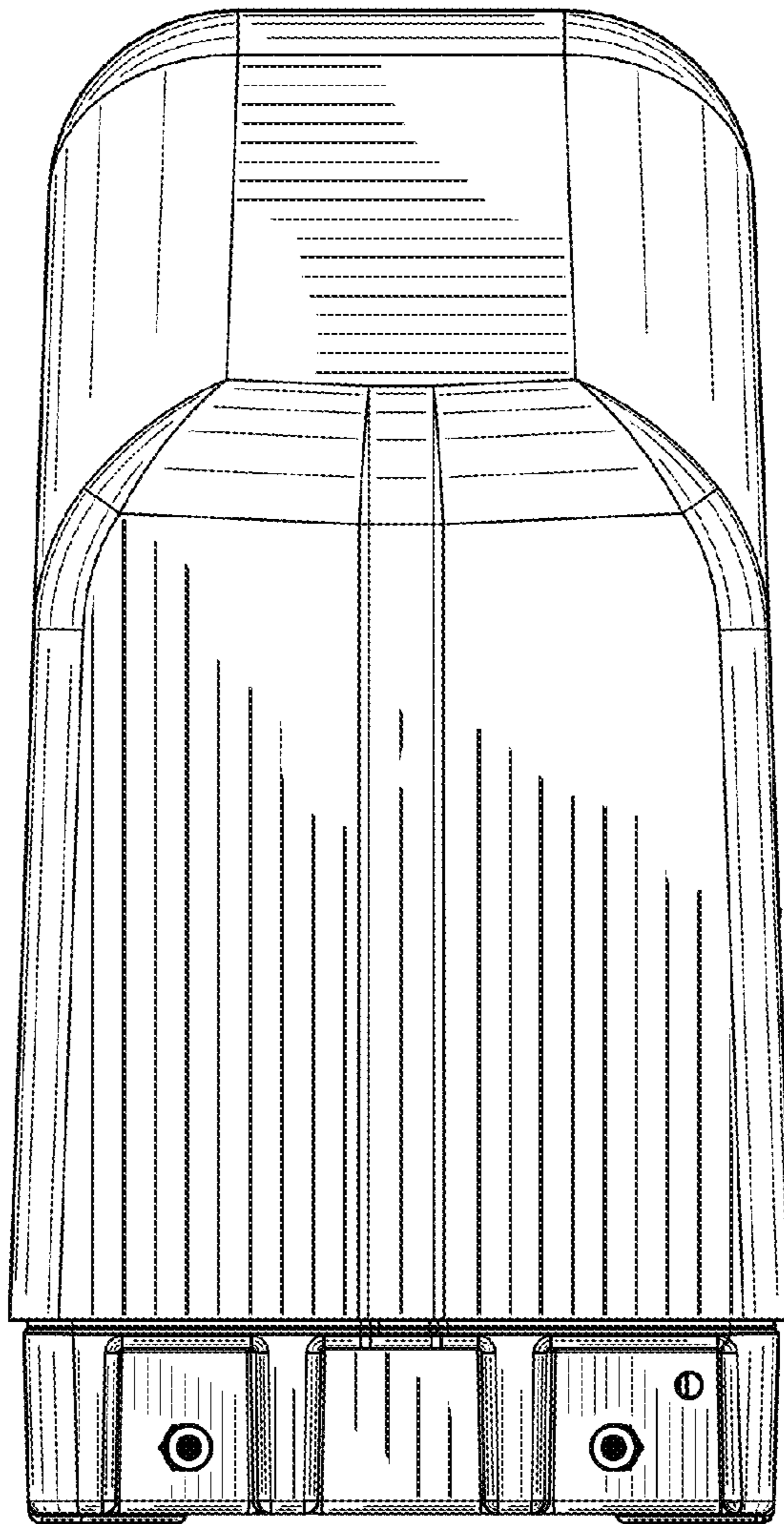


FIG. 6

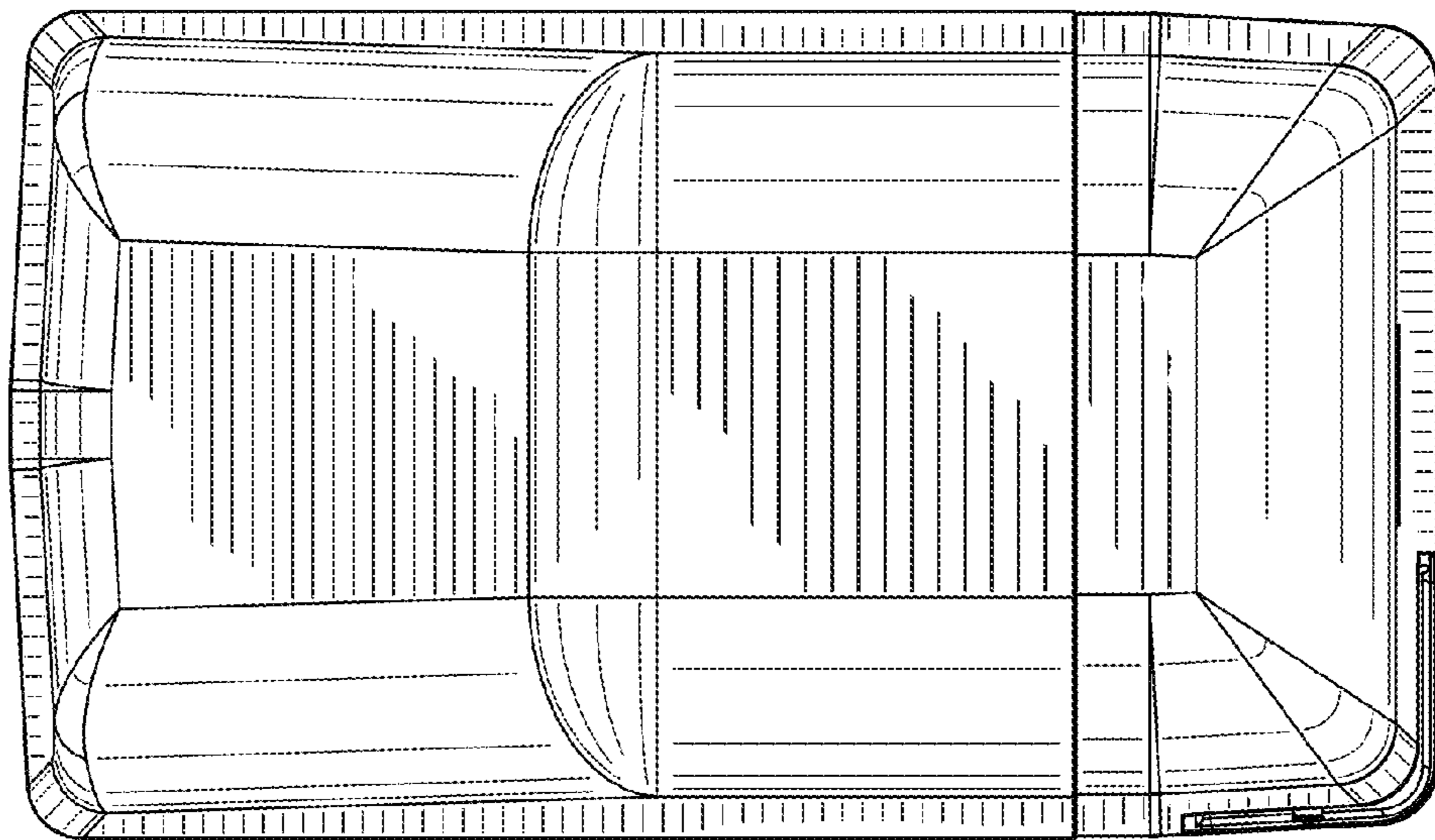


FIG. 7

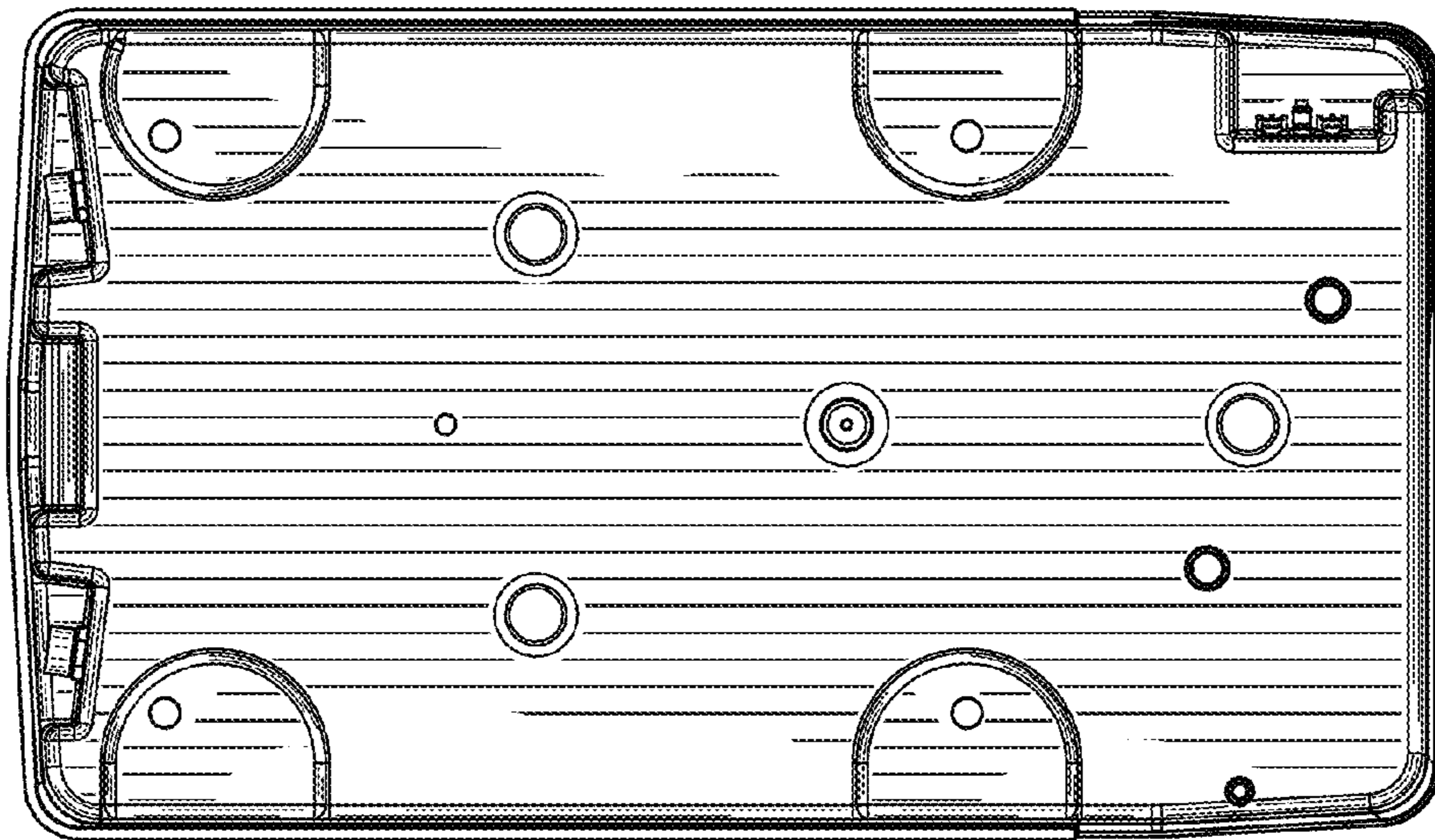


FIG. 8

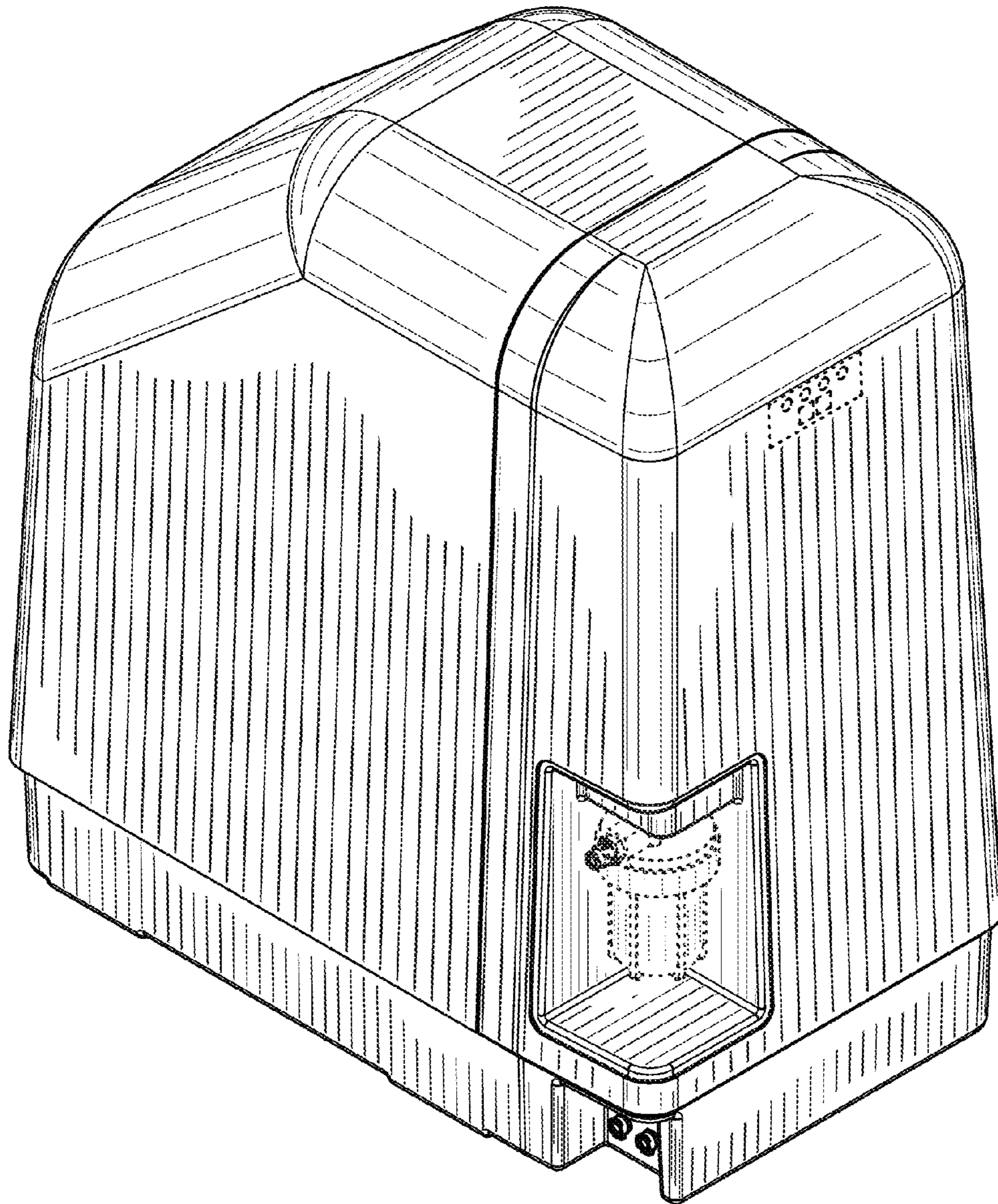


FIG. 9

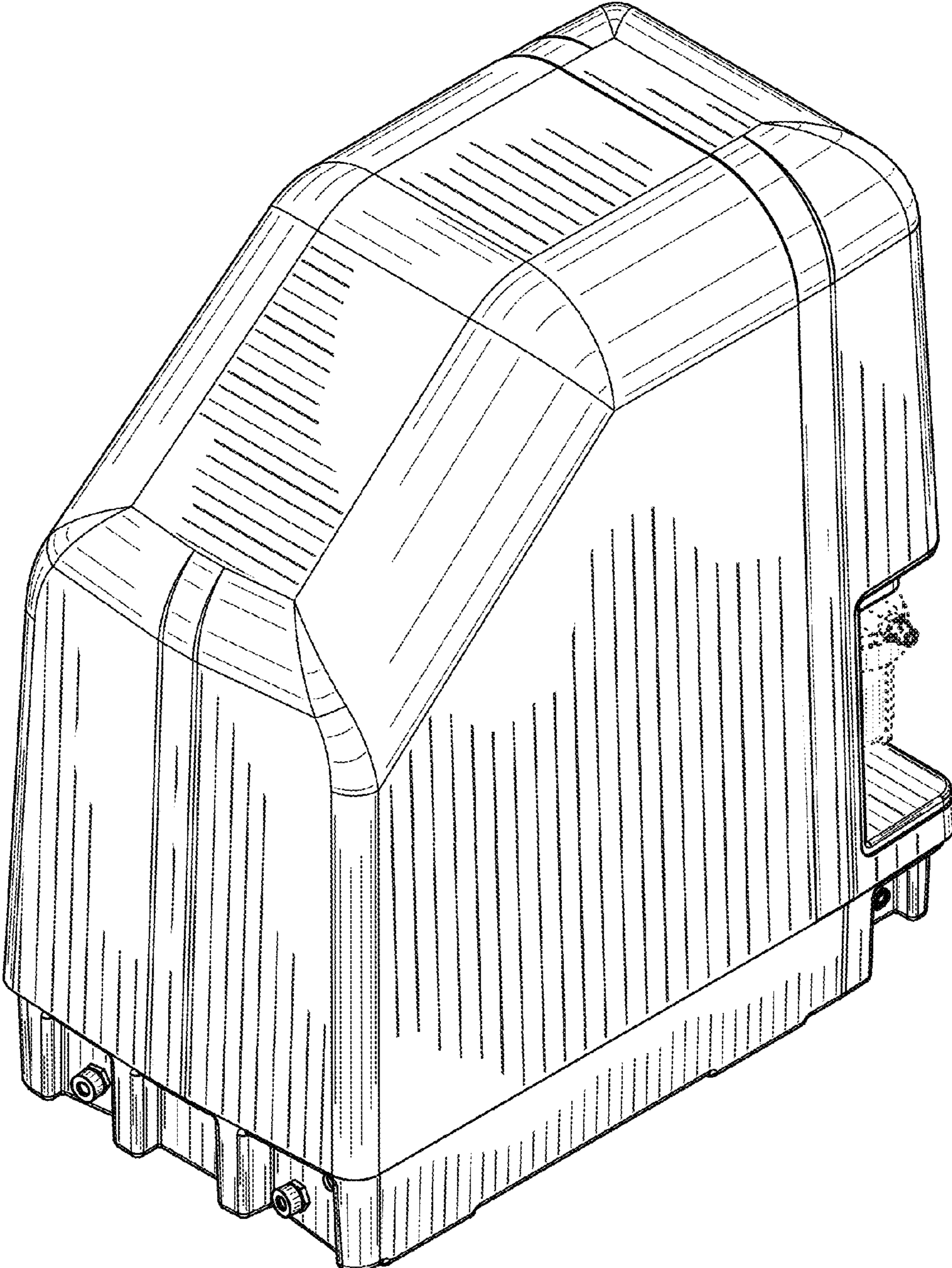


FIG. 10

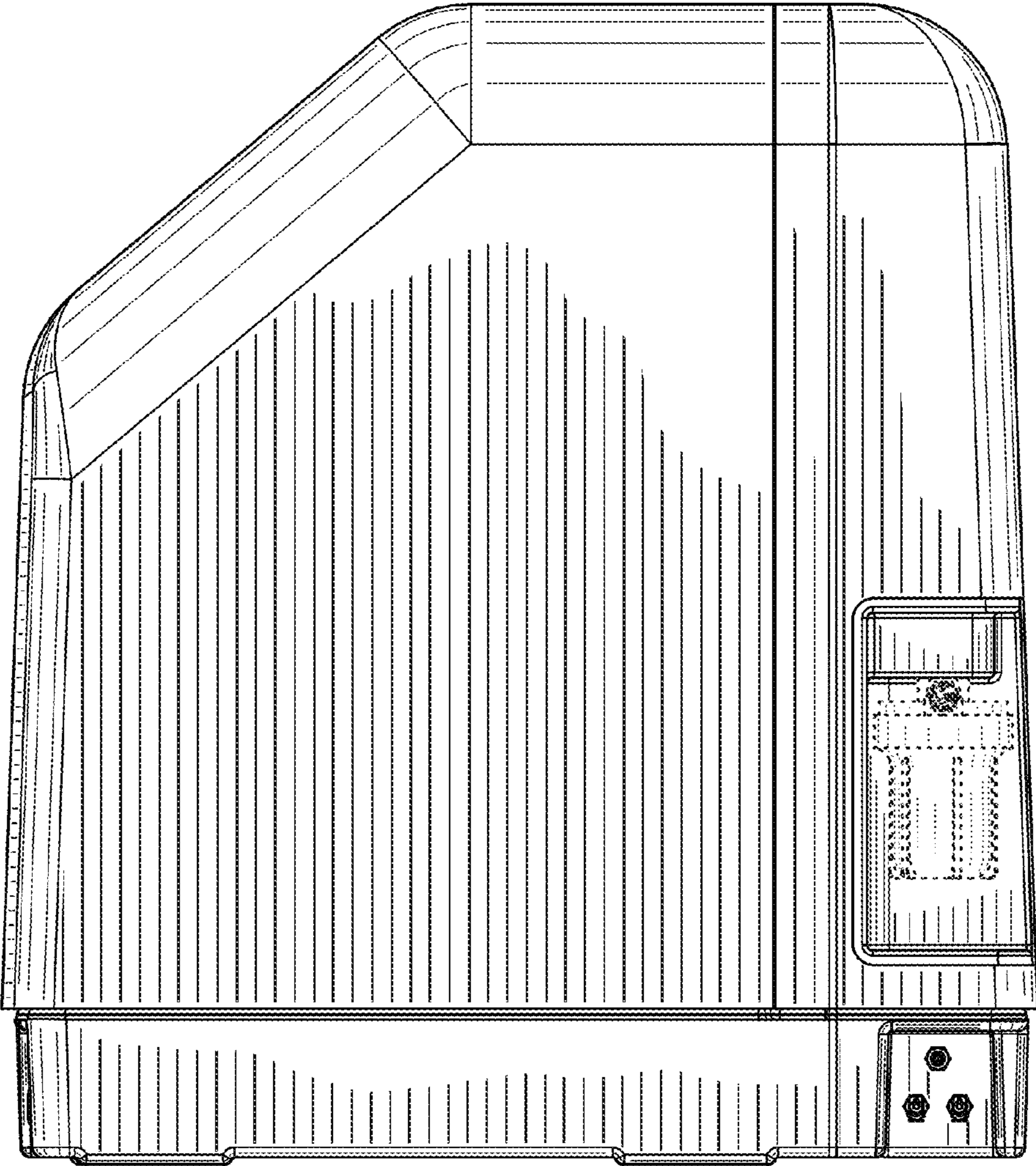


FIG. 11

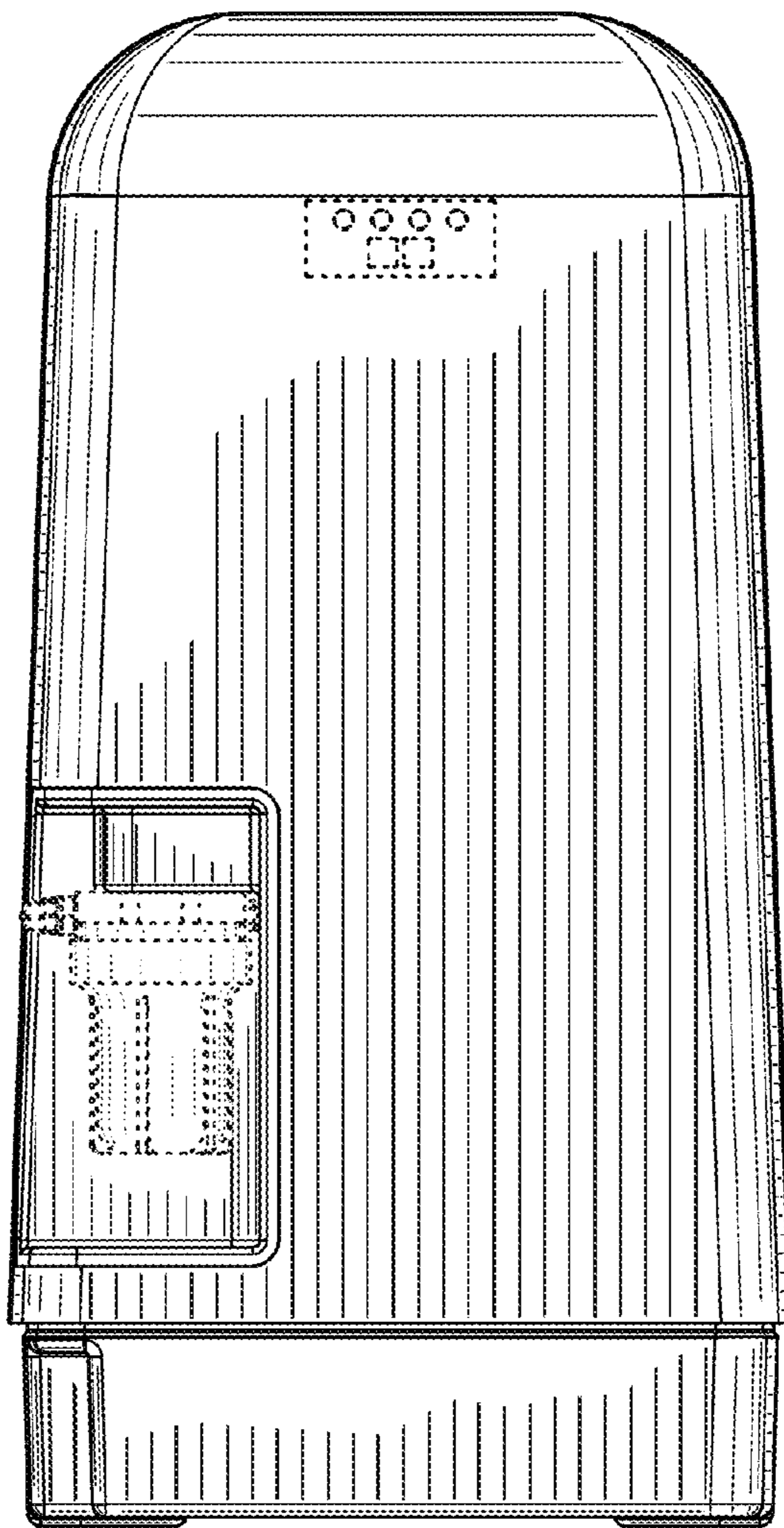


FIG. 12

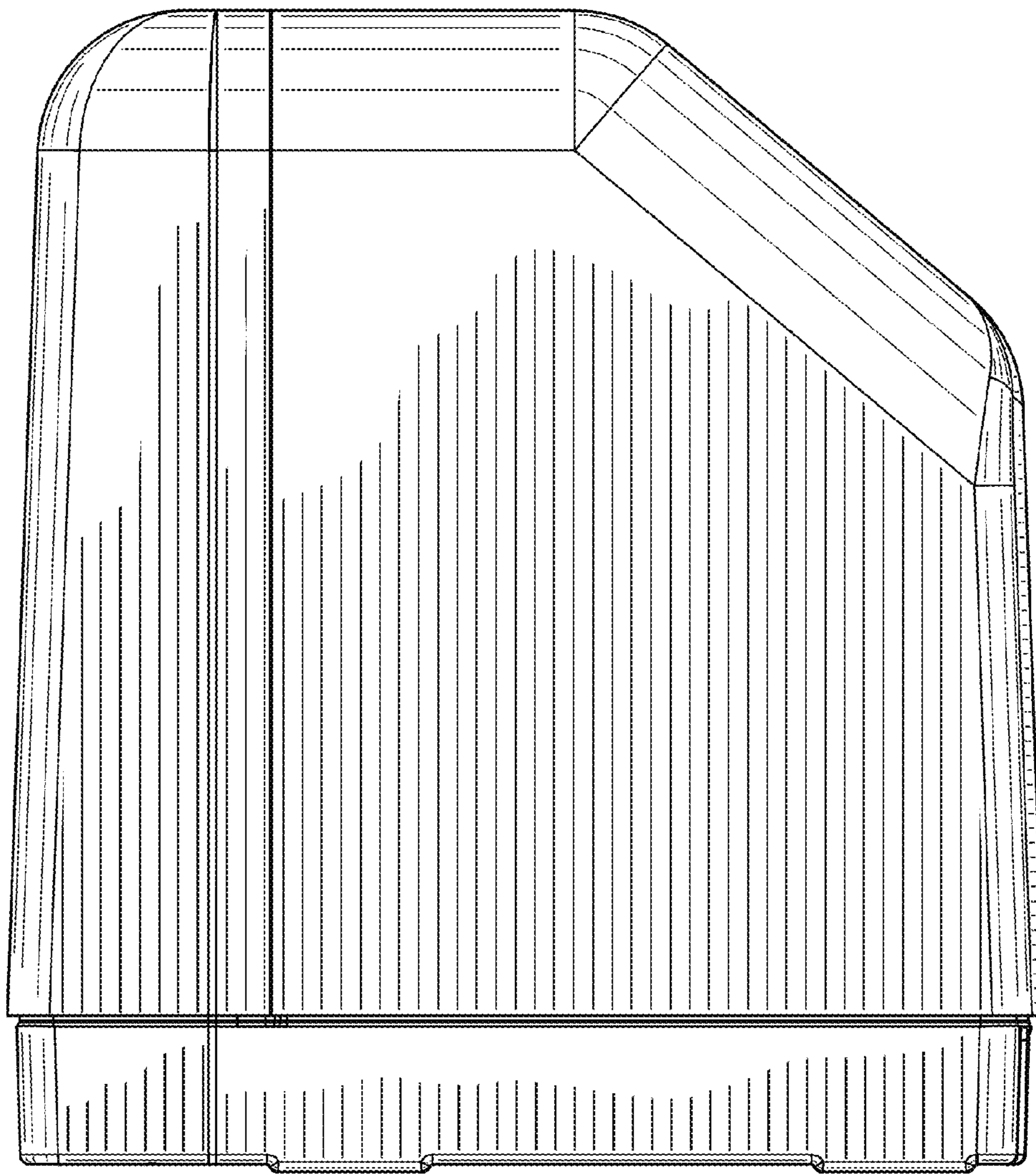


FIG. 13

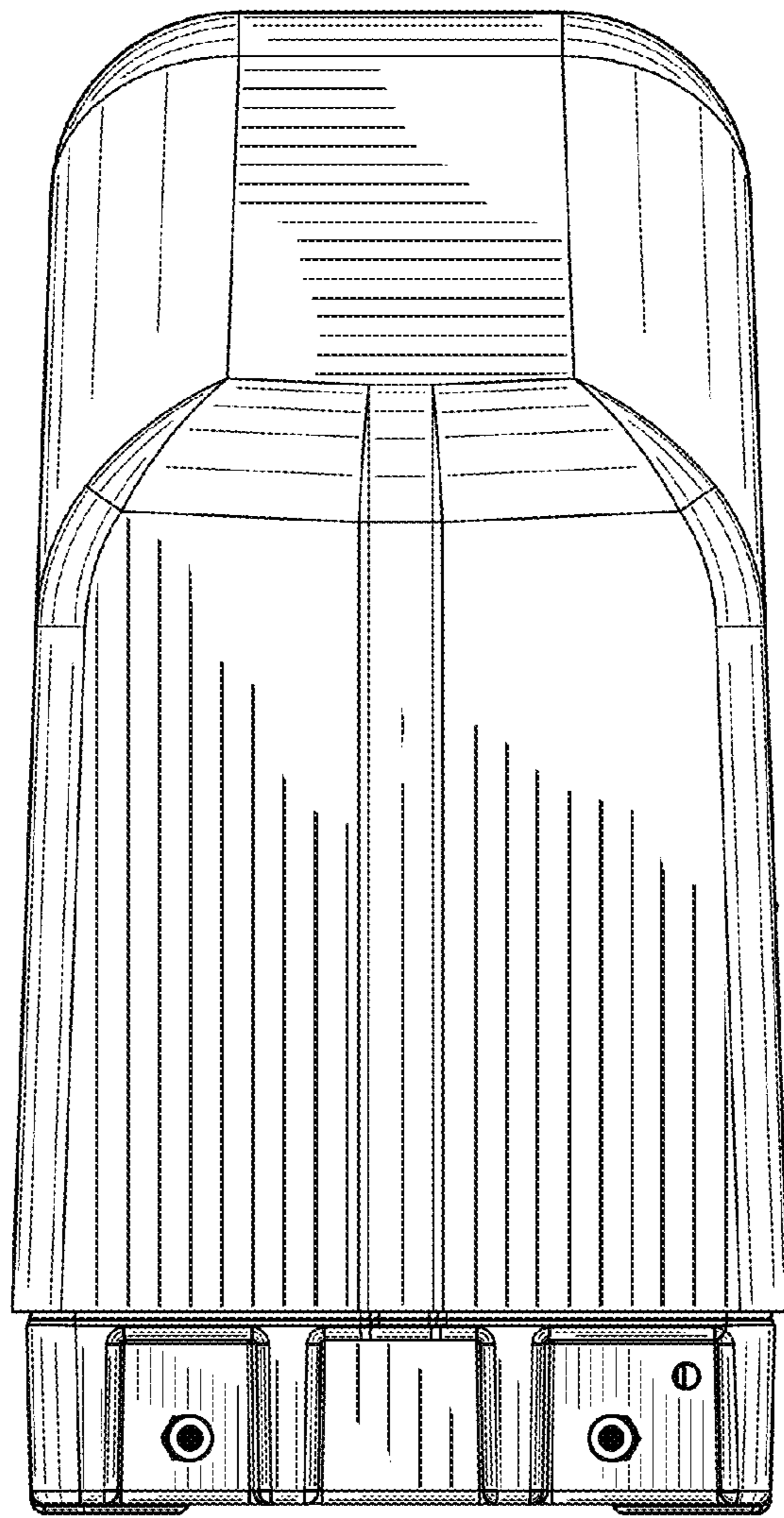


FIG. 14

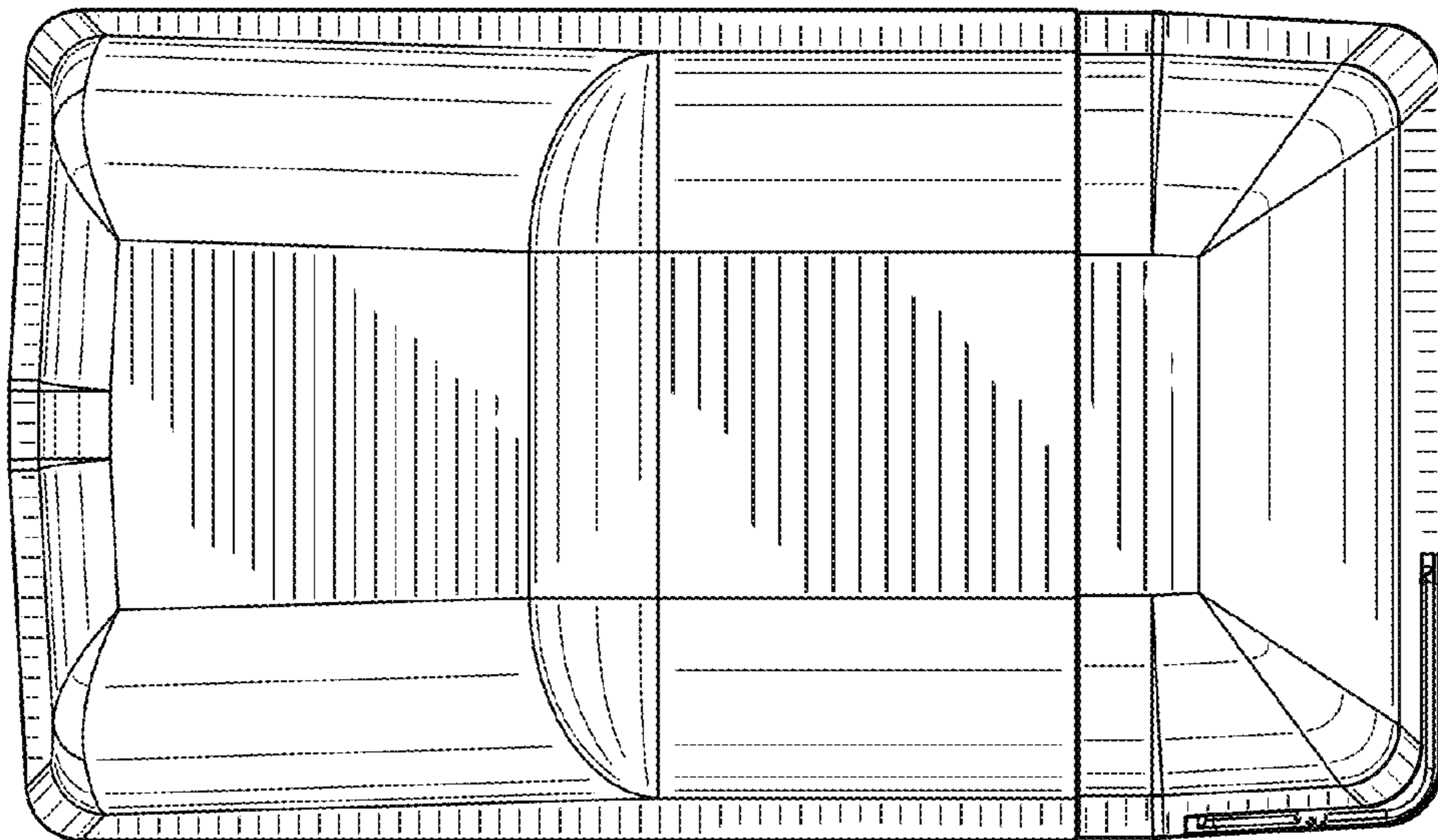


FIG. 15

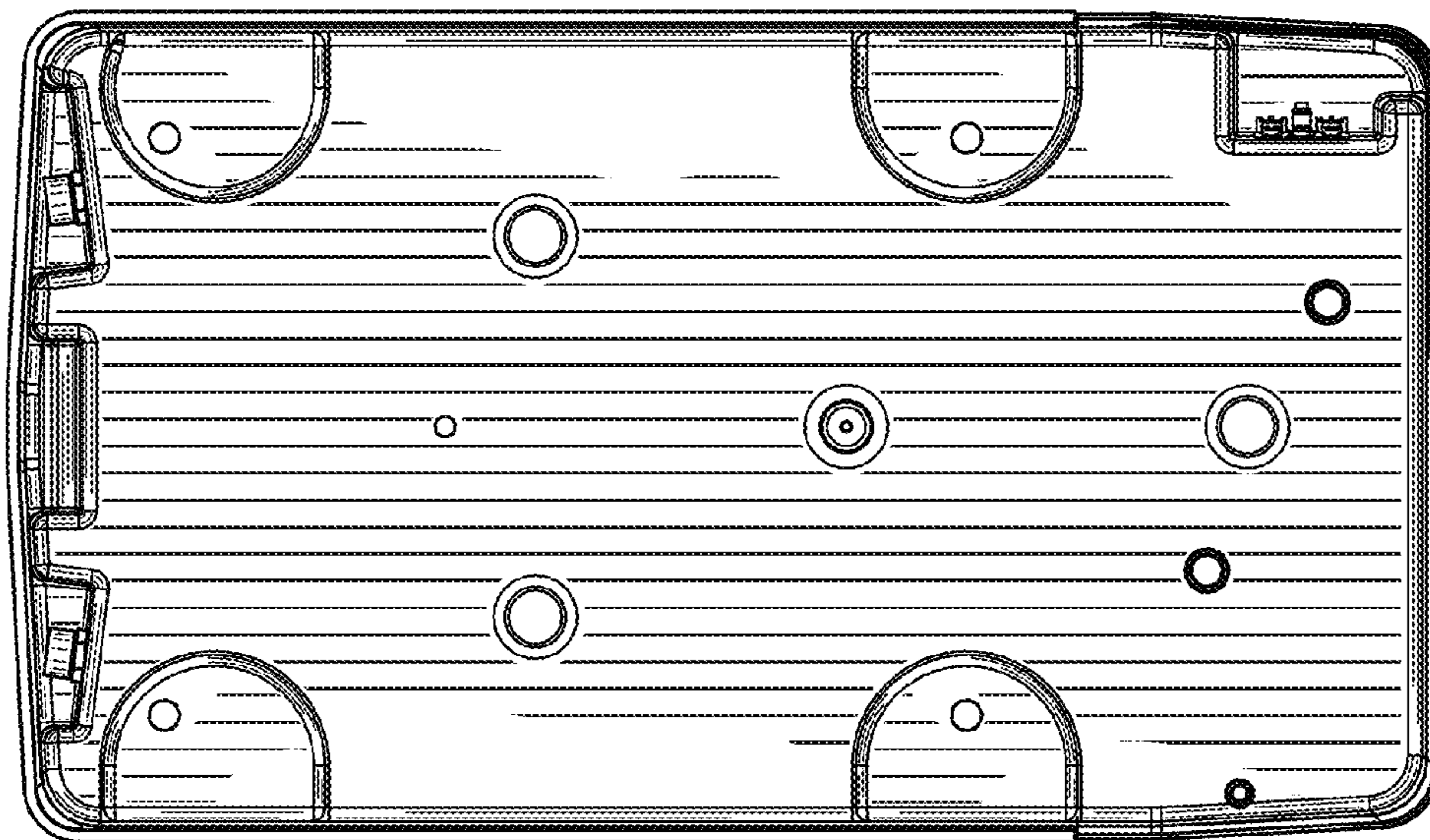


FIG. 16