



US00D706384S

(12) **United States Design Patent**
Russell

(10) **Patent No.:** **US D706,384 S**

(45) **Date of Patent:** **** *Jun. 3, 2014**

(54) **FISHING CANISTER**

(71) Applicant: **Jefferey M. L. Russell**, Westerville, OH
(US)

(72) Inventor: **Jefferey M. L. Russell**, Westerville, OH
(US)

(*) Notice: This patent is subject to a terminal disclaimer.

(**) Term: **14 Years**

(21) Appl. No.: **29/452,234**

(22) Filed: **Apr. 13, 2013**

(51) **LOC (10) Cl.** **22-05**

(52) **U.S. Cl.**
USPC **D22/134**

(58) **Field of Classification Search**
CPC A01K 97/06; A01K 97/08; A01K 91/02
USPC D22/134, 149, 199; 43/25, 54.1;
242/405.2, 171, 224, 387, 905
See application file for complete search history.

(56) **References Cited**

U.S. PATENT DOCUMENTS

| | | | | | |
|-----------|-----|---------|----------|-------|-----------|
| 3,010,673 | A * | 11/1961 | Marconi | | 242/405.2 |
| 3,033,360 | A * | 5/1962 | Ledoux | | 242/171 |
| 3,179,351 | A | 4/1965 | Ehlert | | |
| 3,302,320 | A | 2/1967 | Breeden | | |
| 4,728,052 | A | 3/1988 | Yeh | | |
| 5,063,628 | A | 11/1991 | Campbell | | |
| 5,092,075 | A | 3/1992 | Campos | | |
| 5,404,670 | A | 4/1995 | Noll | | |
| D455,812 | S * | 4/2002 | Sanchez | | D22/134 |
| D505,178 | S * | 5/2005 | Smyth | | D22/134 |

* cited by examiner

Primary Examiner — Catheri Oliver-Garcia

(74) *Attorney, Agent, or Firm* — Miracle IP; Bryce D. Miracle

(57) **CLAIM**

The ornamental design for a fishing canister, substantially as shown and described.

DESCRIPTION

FIG. 1 is a front perspective view of a first embodiment of the fishing canister showing the new design;
 FIG. 2 is an exploded front perspective view thereof;
 FIG. 3 is an illustrative exploded rear perspective view thereof;
 FIG. 4 is a top plan view thereof;
 FIG. 5 is a front elevation view thereof;
 FIG. 6 is a rear elevation view thereof;
 FIG. 7 is a bottom plan view thereof;
 FIG. 8 is an exploded cross sectional view of the canister shown along line 8-8 of FIG. 2;
 FIG. 9 is a left side perspective view thereof;
 FIG. 10 is an exemplary perspective view thereof;
 FIG. 11 is an exploded perspective view of a second embodiment of the fishing canister showing a mirrored surface within the lid, all other views of the canister being the same as the first embodiment; and,
 FIG. 12 is an exploded perspective view of a third embodiment of the fishing canister showing an edge for digging purposes, all other views of the canister being the same as the first embodiment.

The broken lines shown in the drawings represent environmental matter and form no part of the claimed design. The fishing canister is not limited to the scale shown herein.

1 Claim, 10 Drawing Sheets

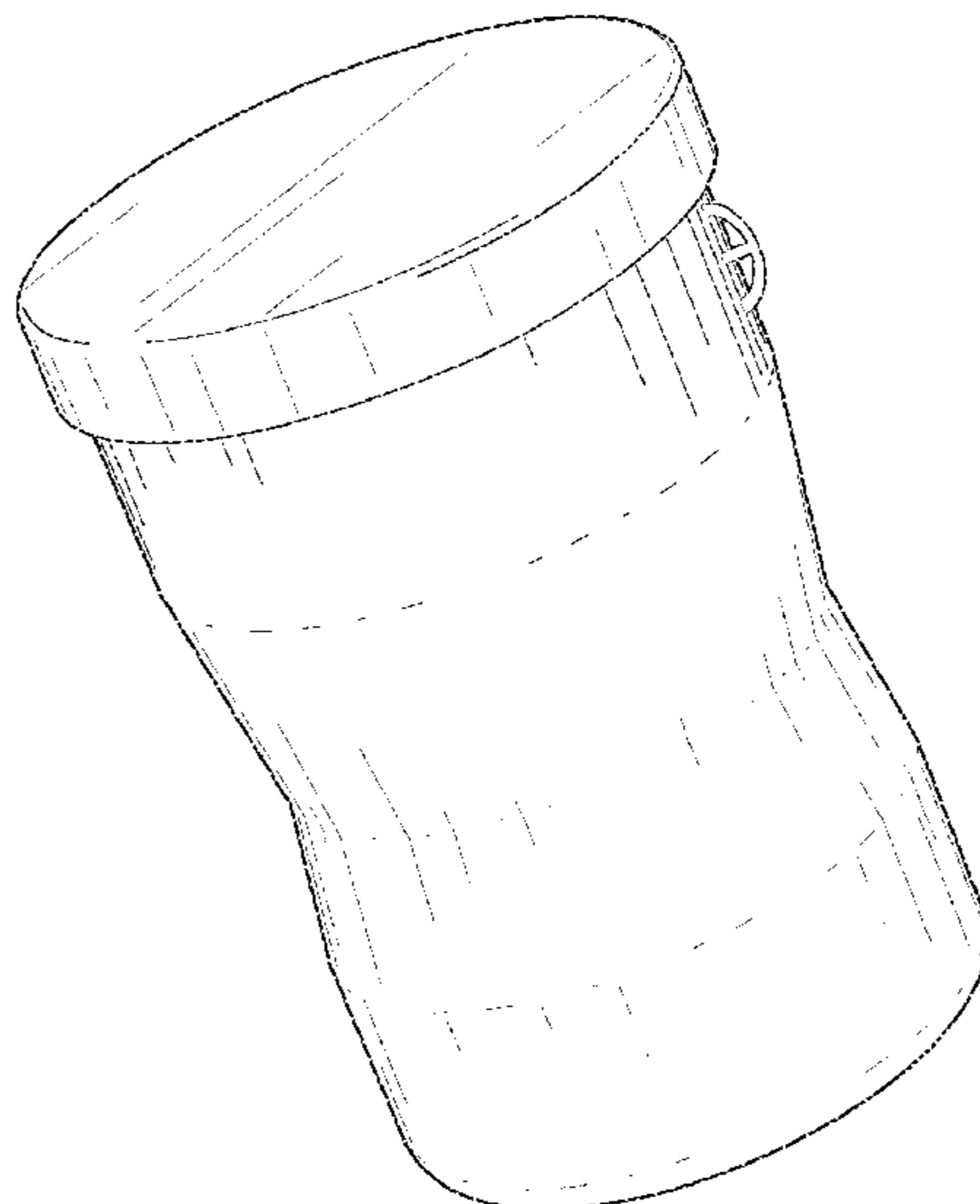
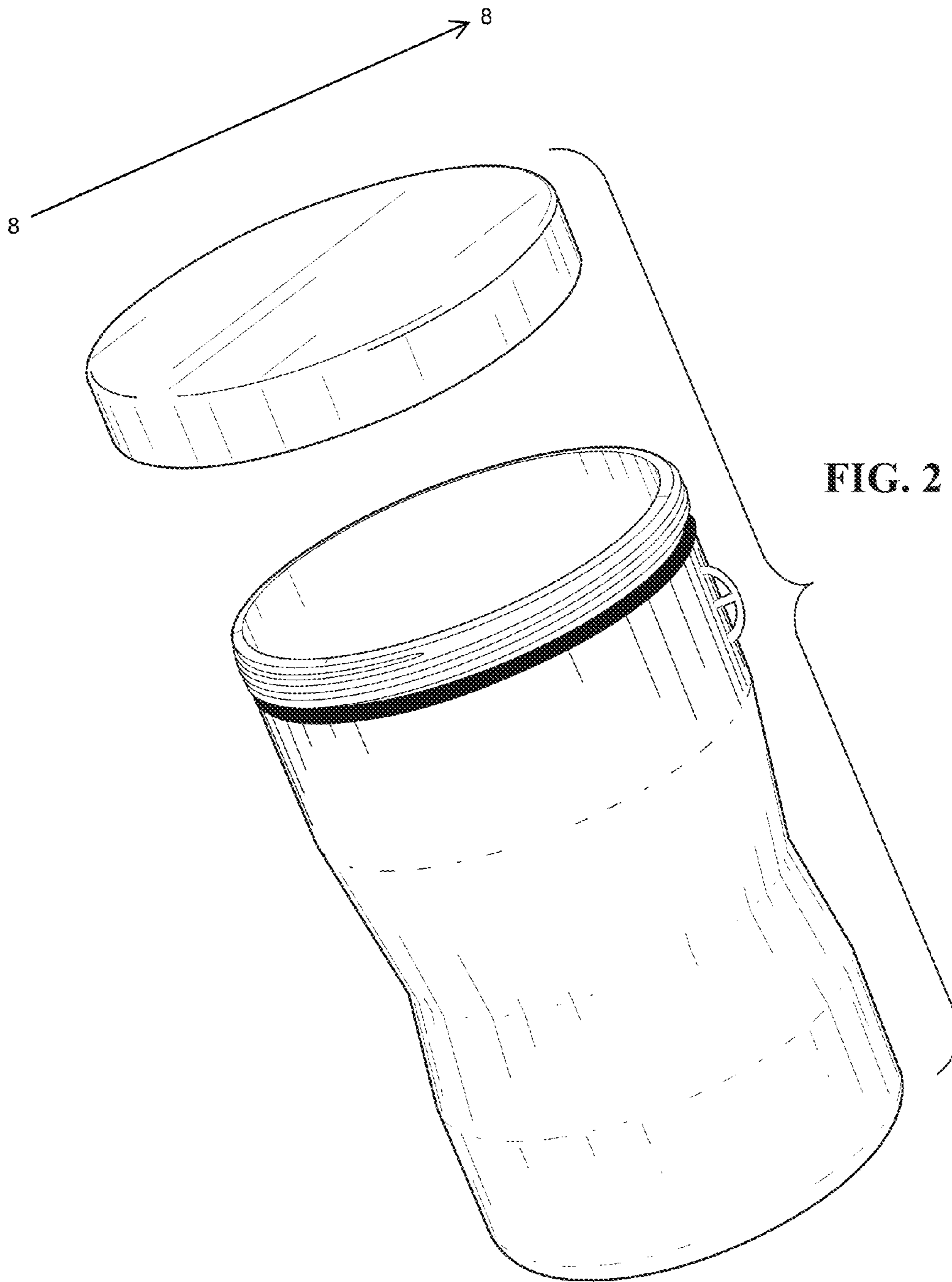




FIG. 1



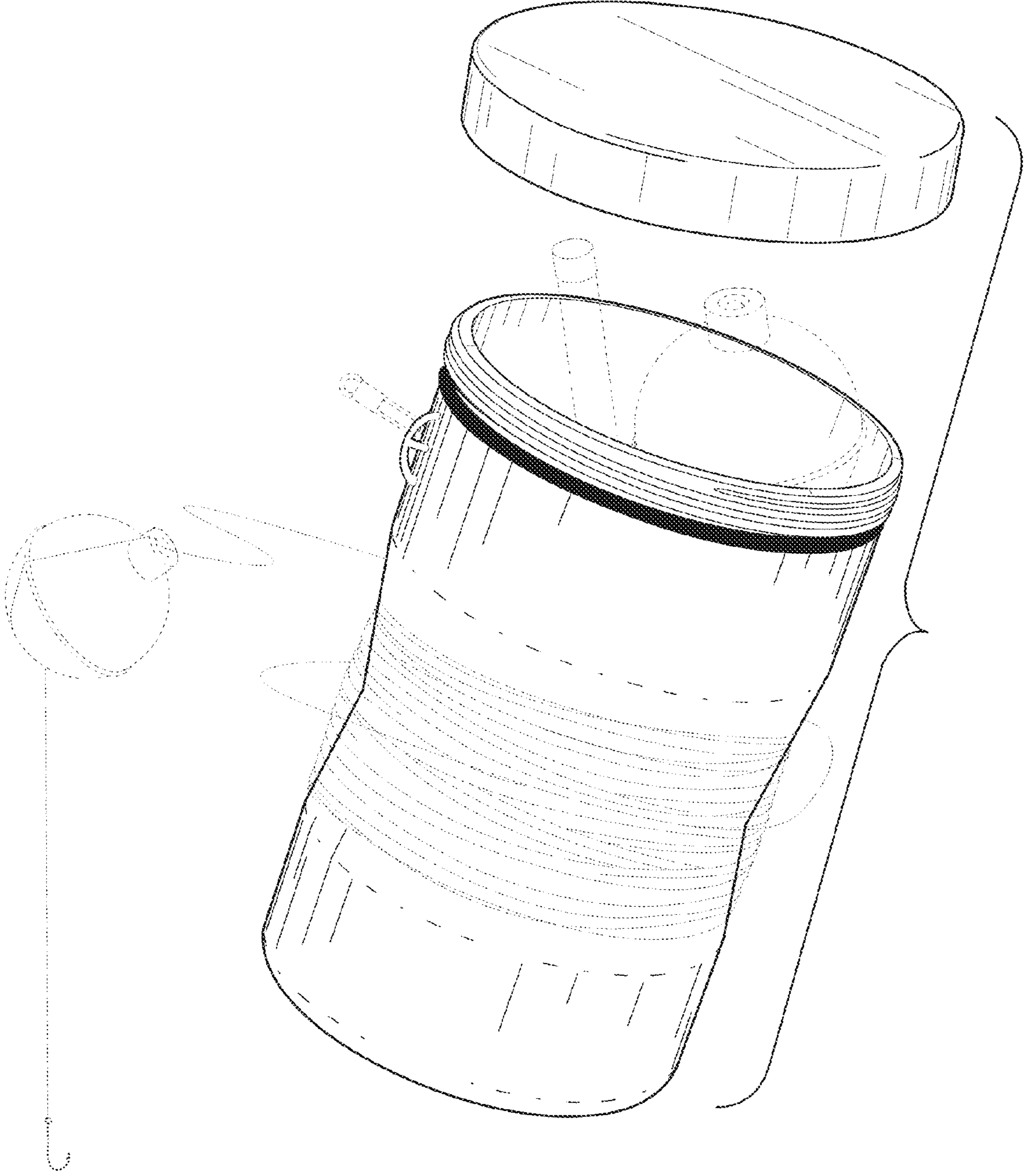


FIG. 3

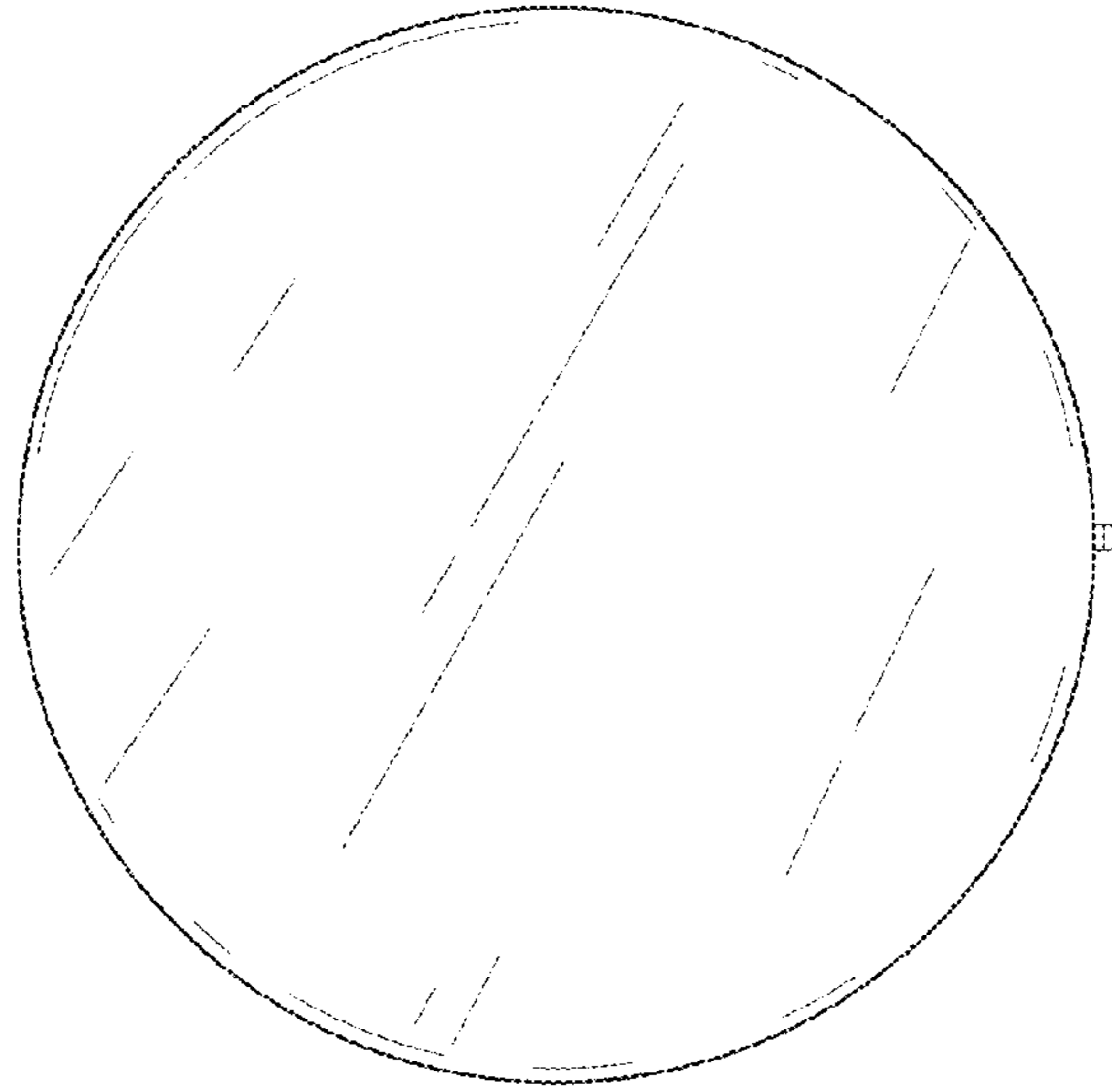


FIG. 4

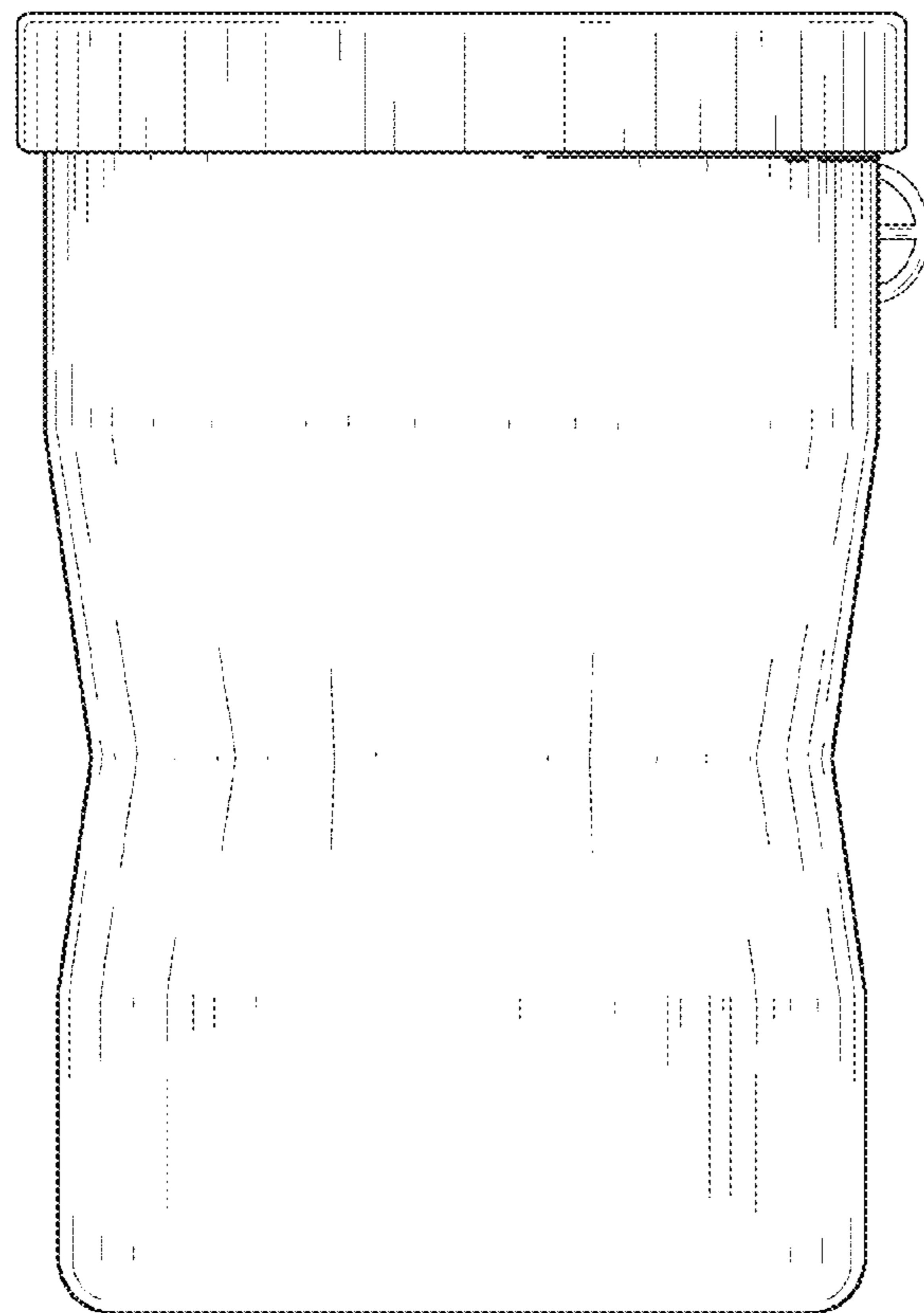


FIG. 5

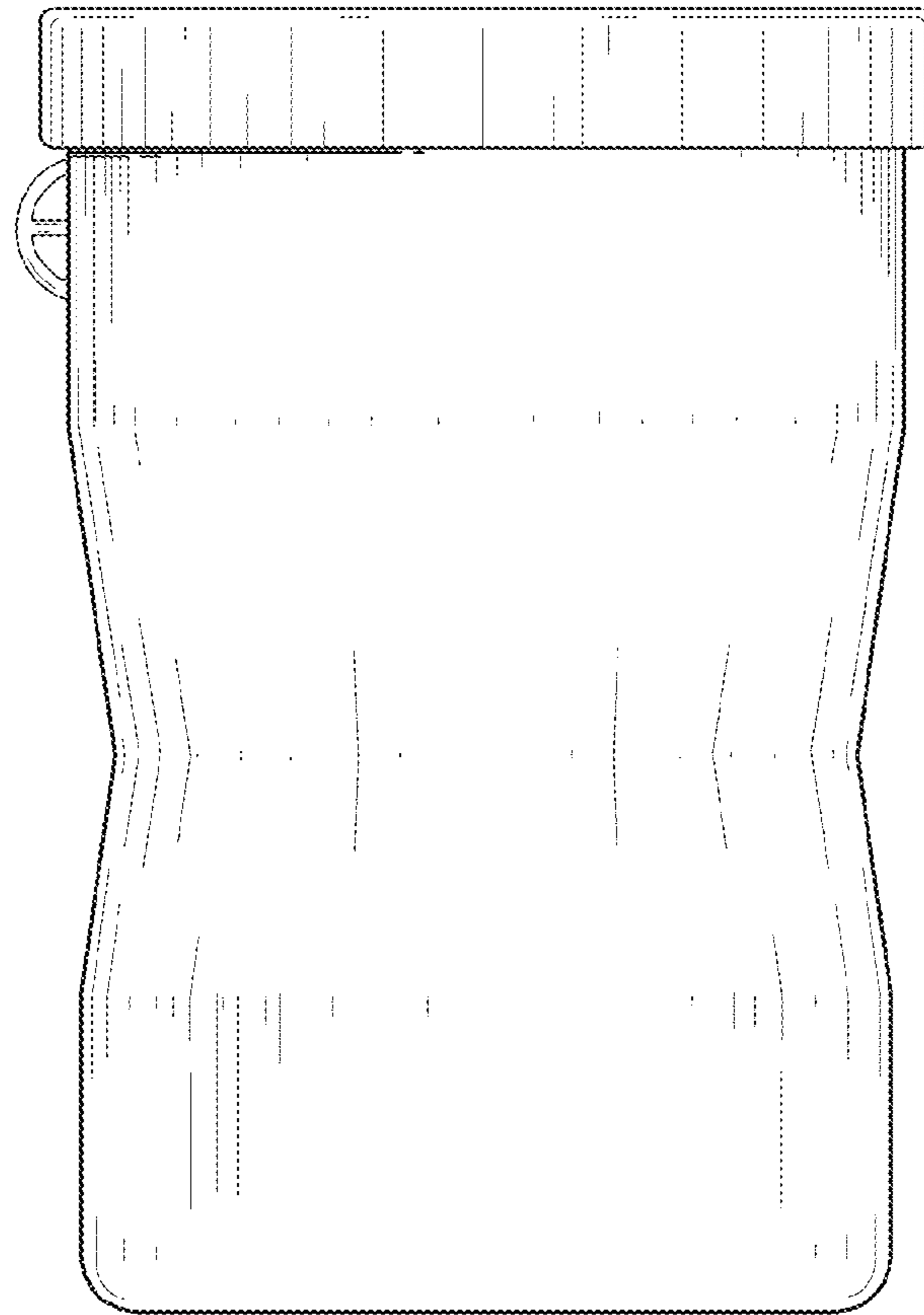


FIG. 6

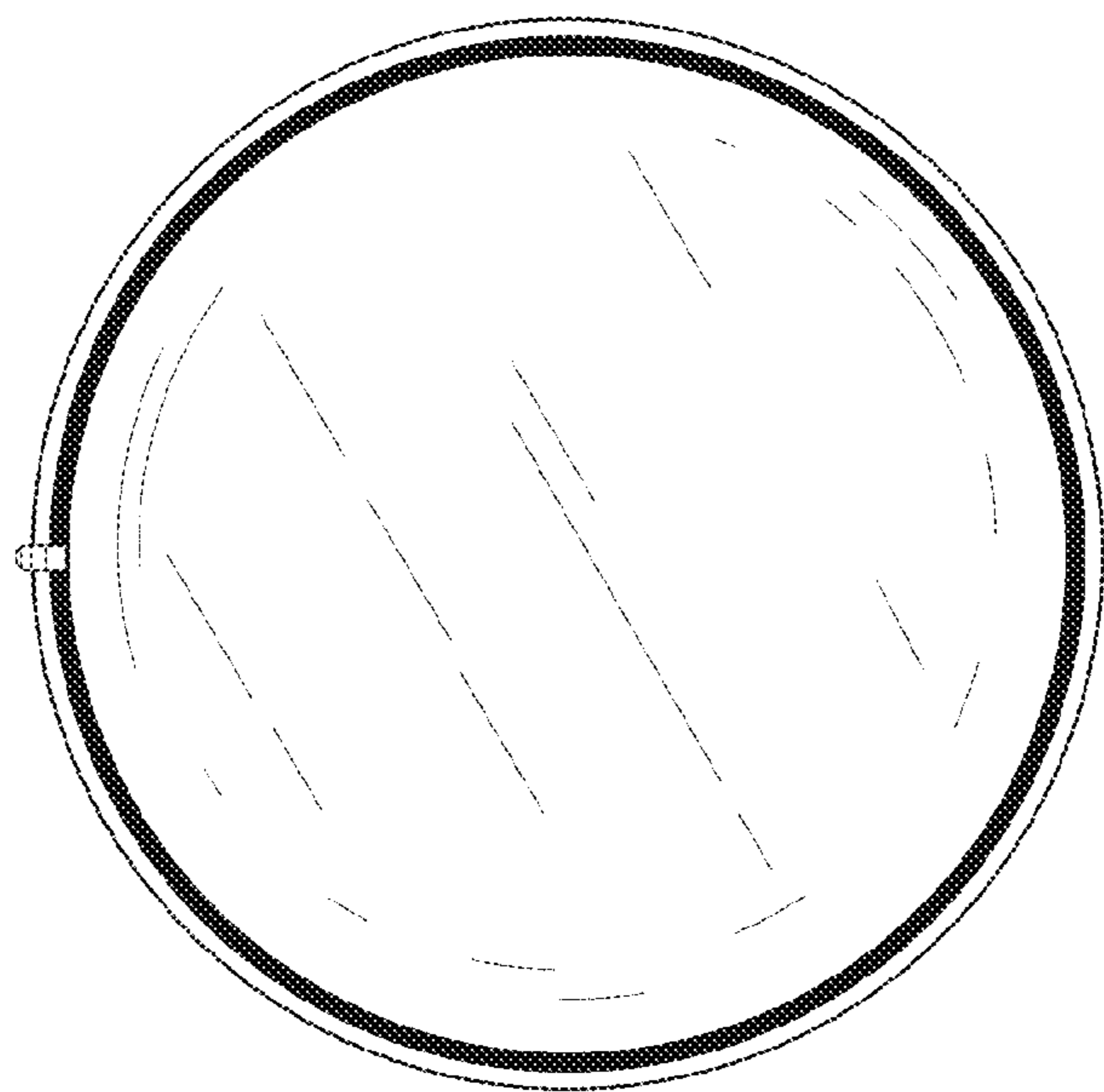


FIG. 7

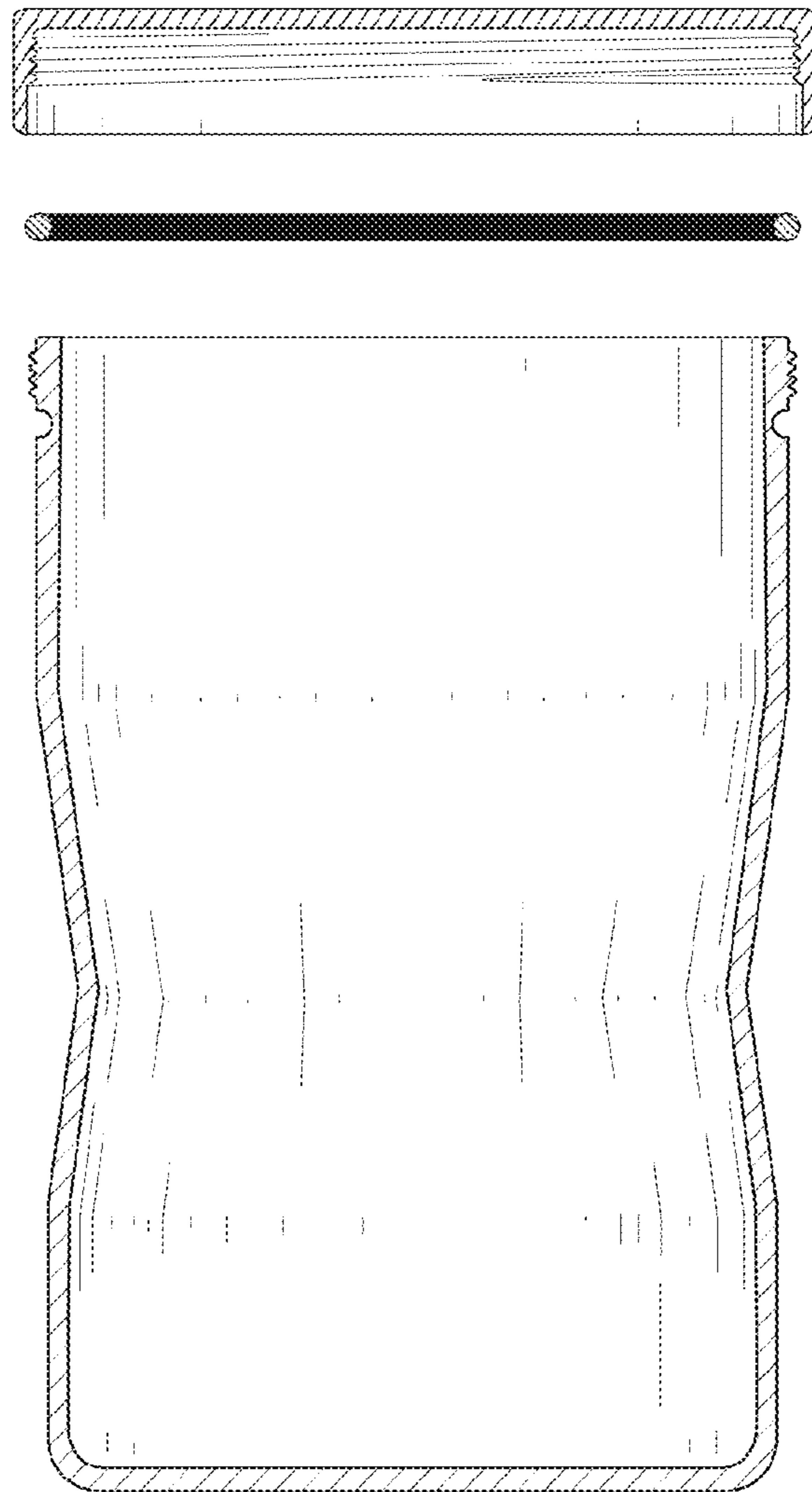


FIG. 8

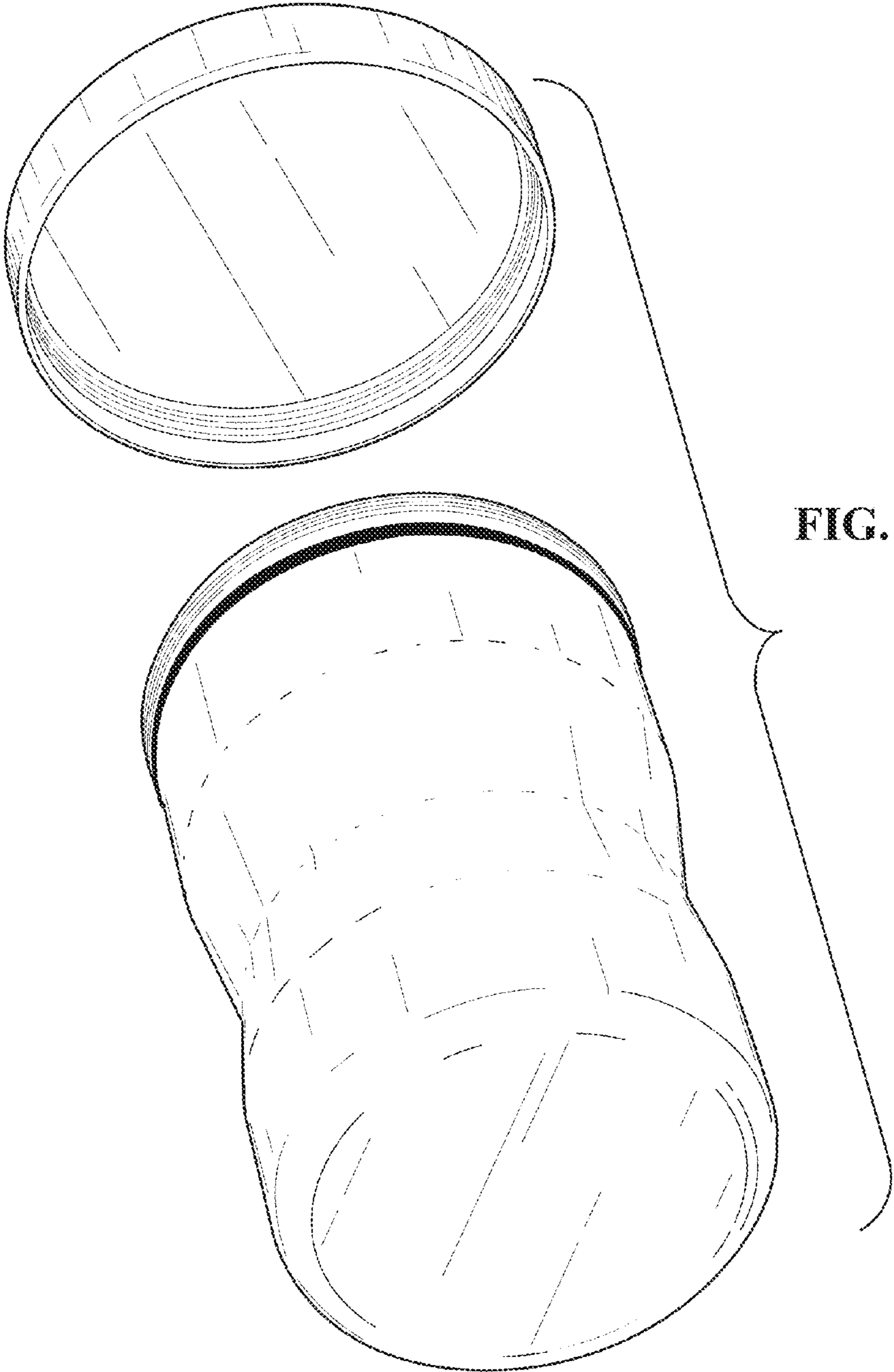


FIG. 9

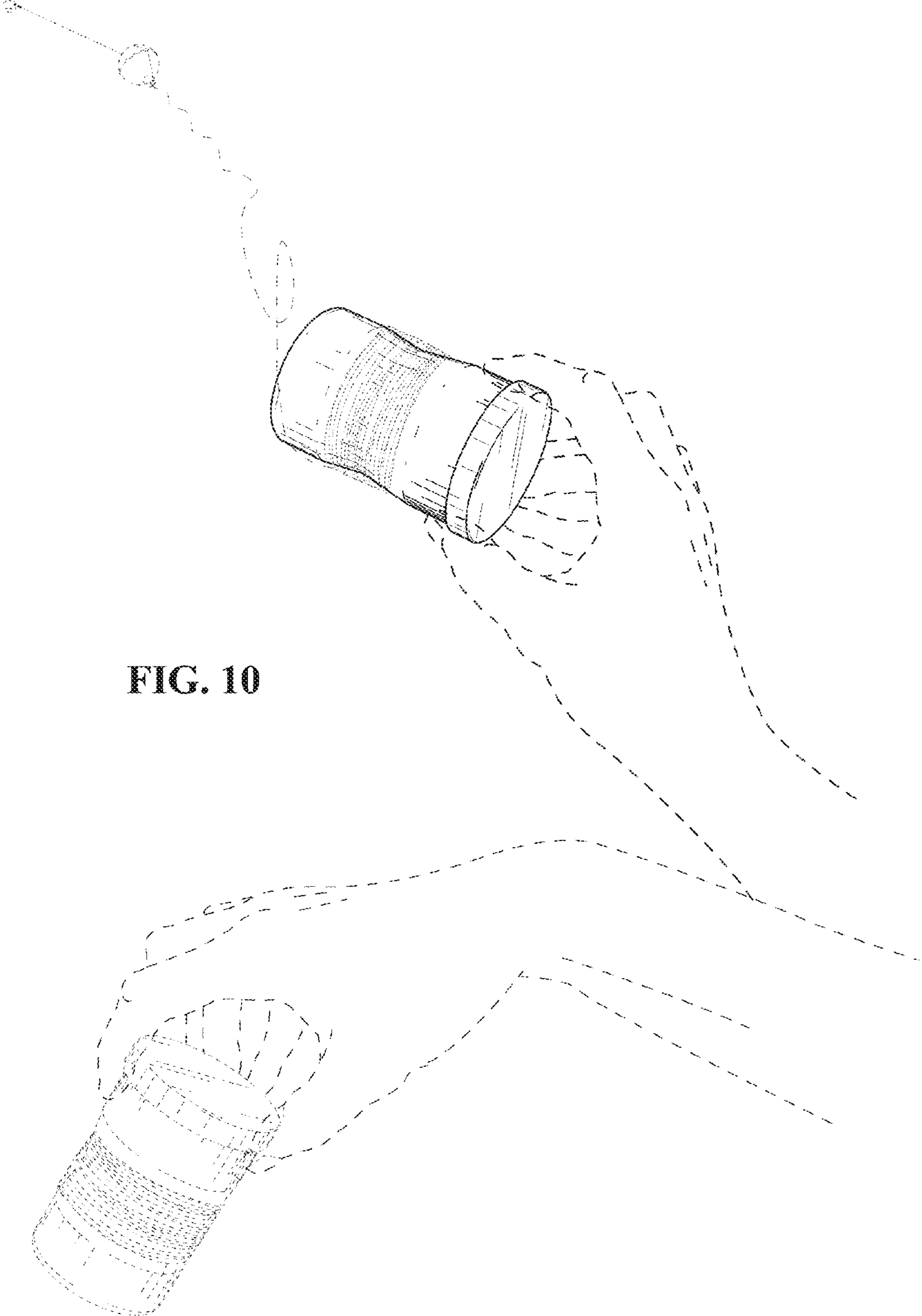


FIG. 10

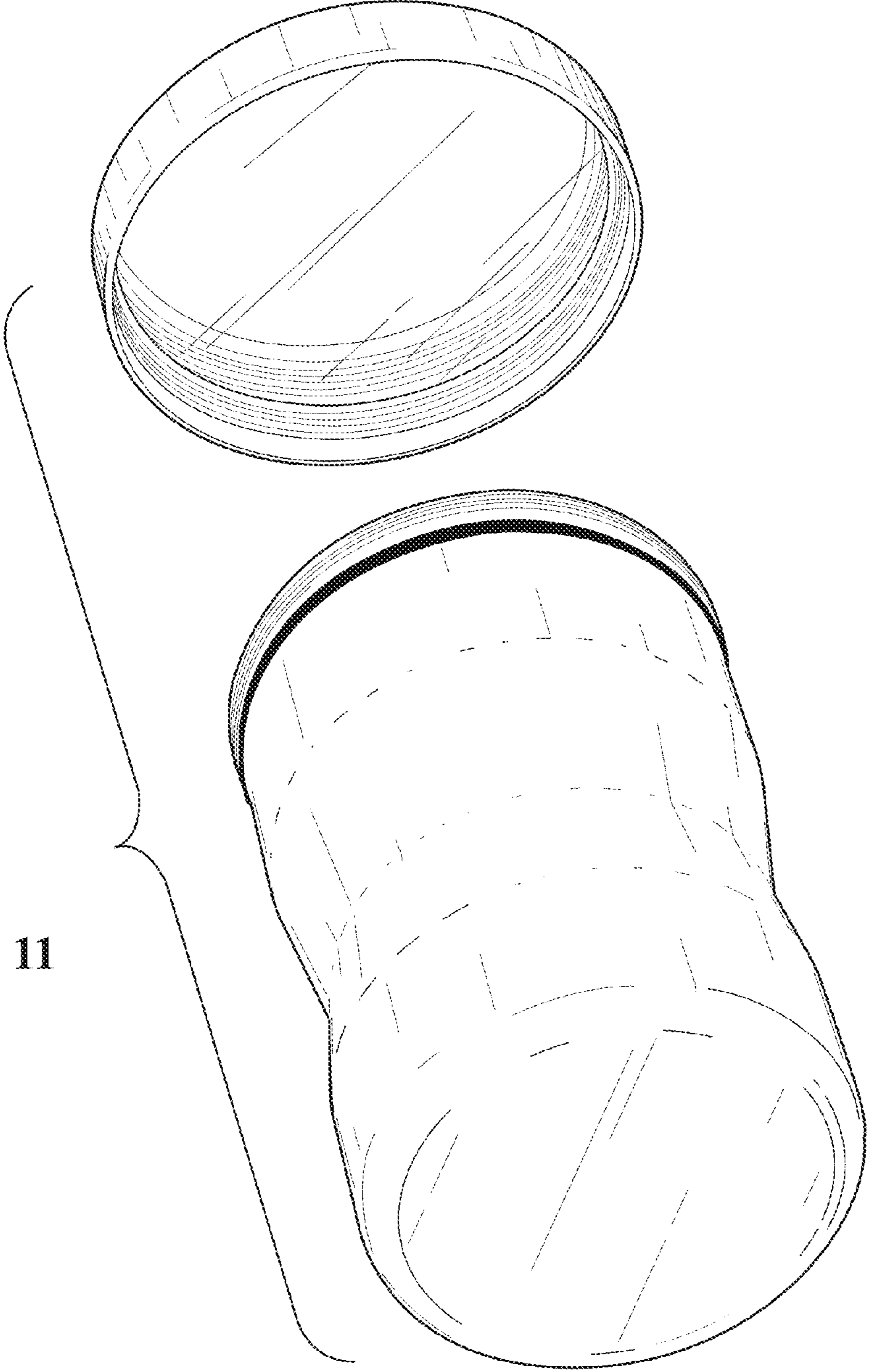


FIG. 11

