



US00D706383S

(12) **United States Design Patent**  
**Ben-Yair**

(10) **Patent No.:** **US D706,383 S**  
(45) **Date of Patent:** **\*\* Jun. 3, 2014**

(54) **SELF-DEFENCE PEPPER SPRAY ASSEMBLY**

(71) Applicant: **HND- Hands on Defence**, Petach Tikva (IL)

(72) Inventor: **Daniel Refael Ben-Yair**, Hod Hasharon (IL)

(73) Assignee: **H.D. Defense Products Ltd.**, Petach Tikva (IL)

(\*\*) Term: **14 Years**

(21) Appl. No.: **29/459,239**

(22) Filed: **Jun. 27, 2013**

(51) **LOC (10) Cl.** ..... **22-01**

(52) **U.S. Cl.**  
USPC ..... **D22/117**

(58) **Field of Classification Search**  
USPC ..... D22/117-120; 222/153.03, 153.13, 222/182, 325, 402.11; 224/914; D21/333; 42/1.01, 1.08, 1.09, 1.12  
See application file for complete search history.

(56) **References Cited**

**U.S. PATENT DOCUMENTS**

D226,908 S \* 5/1973 Tadlock ..... D22/117  
D585,520 S \* 1/2009 Teig ..... D22/117  
D636,050 S \* 4/2011 Kaufman ..... D22/117

D654,118 S \* 2/2012 Sogabe ..... D21/333  
D661,771 S \* 6/2012 Nawaz ..... D22/117  
D688,314 S \* 8/2013 Slayton et al. .... D21/333  
D688,769 S \* 8/2013 Lord ..... D22/117

\* cited by examiner

*Primary Examiner* — Catheri Oliver-Garcia

(74) *Attorney, Agent, or Firm* — Pearl Cohen Zedek Latzer Baratz LLP

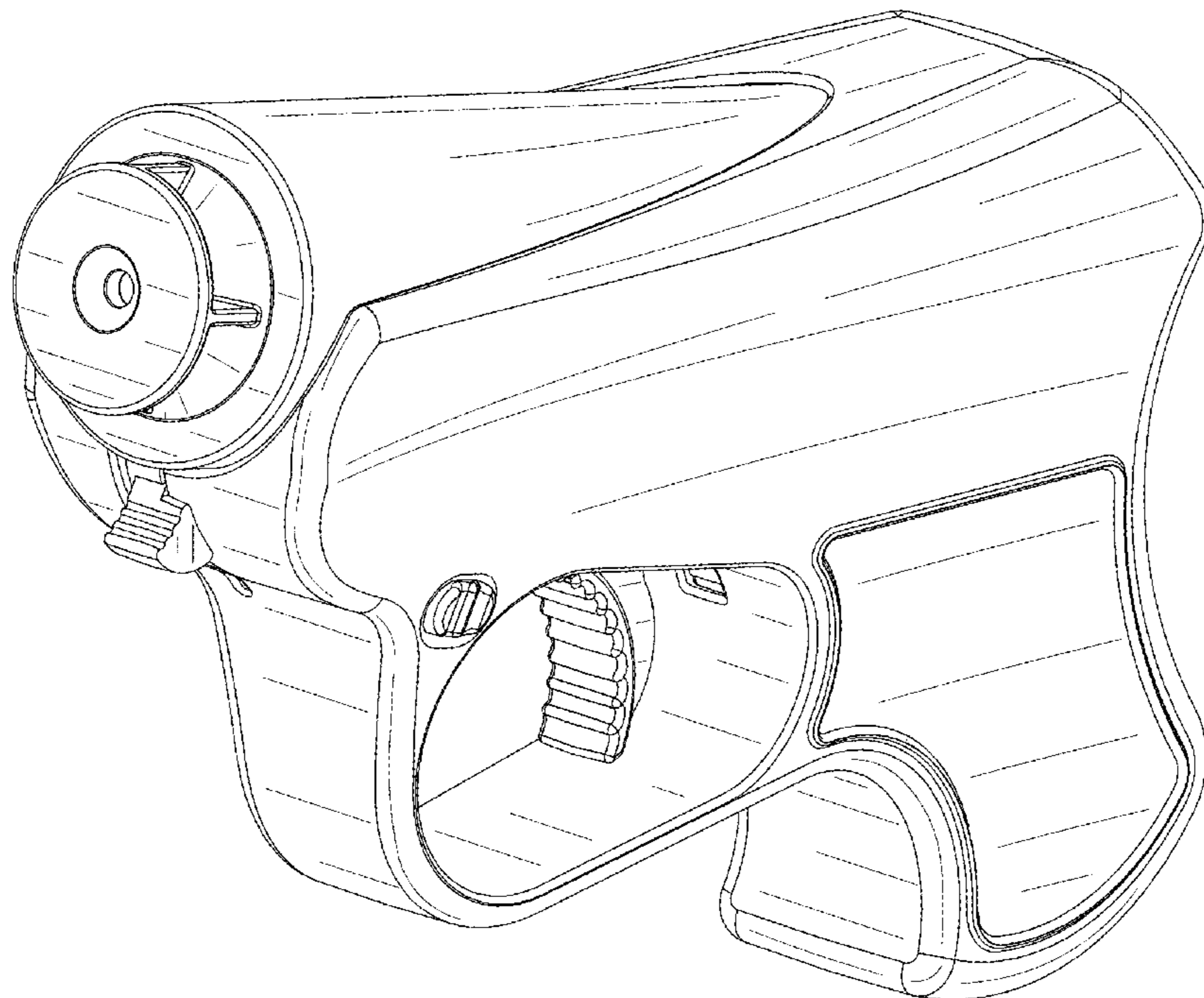
(57) **CLAIM**

The ornamental design for a self-defence pepper spray assembly, as shown and described.

**DESCRIPTION**

FIG. 1 is a front, right side, bottom perspective view of the self-defence pepper spray assembly;  
FIG. 2 is a front elevational view of the self-defence pepper spray assembly shown in FIG. 1;  
FIG. 3 is a rear elevational view of the self-defence pepper spray assembly shown in FIG. 1;  
FIG. 4 is a right side elevational view of the self-defence pepper spray assembly shown in FIG. 1;  
FIG. 5 is a left side elevational view of the self-defence pepper spray assembly shown in FIG. 1;  
FIG. 6 is a top plan view of the self-defence pepper spray assembly shown in FIG. 1; and,  
FIG. 7 is a bottom plan view of the self-defence pepper spray assembly shown in FIG. 1.

**1 Claim, 7 Drawing Sheets**



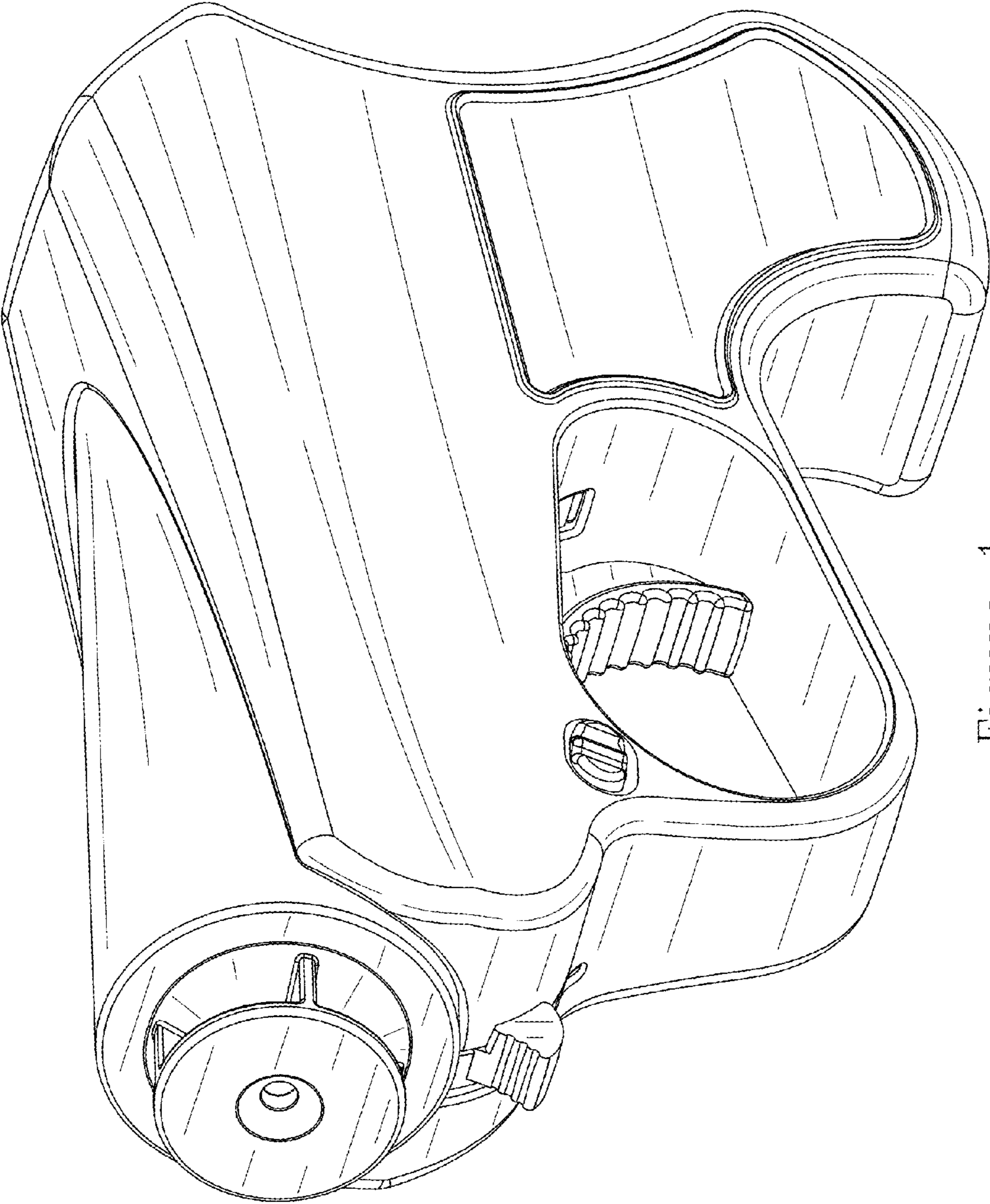


Figure 1

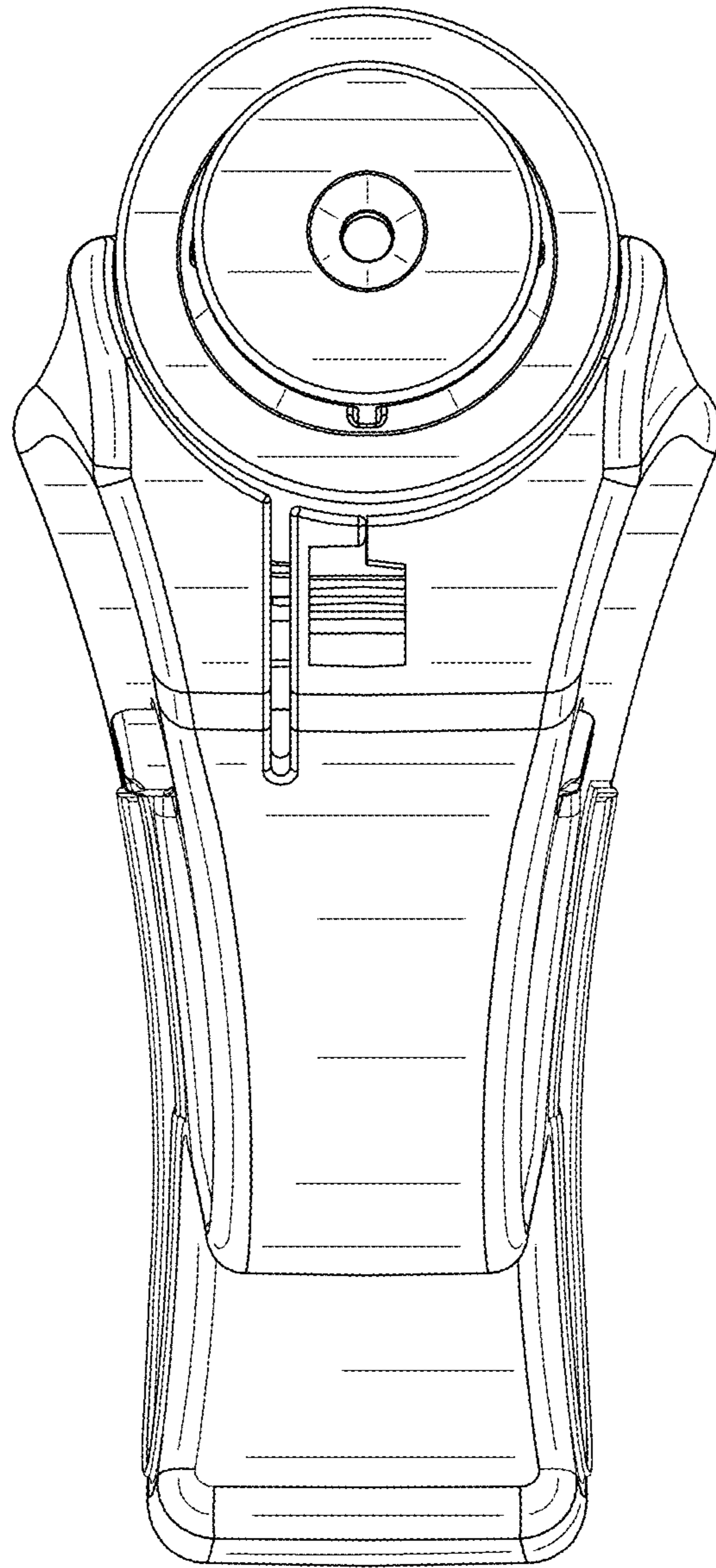


FIG.2

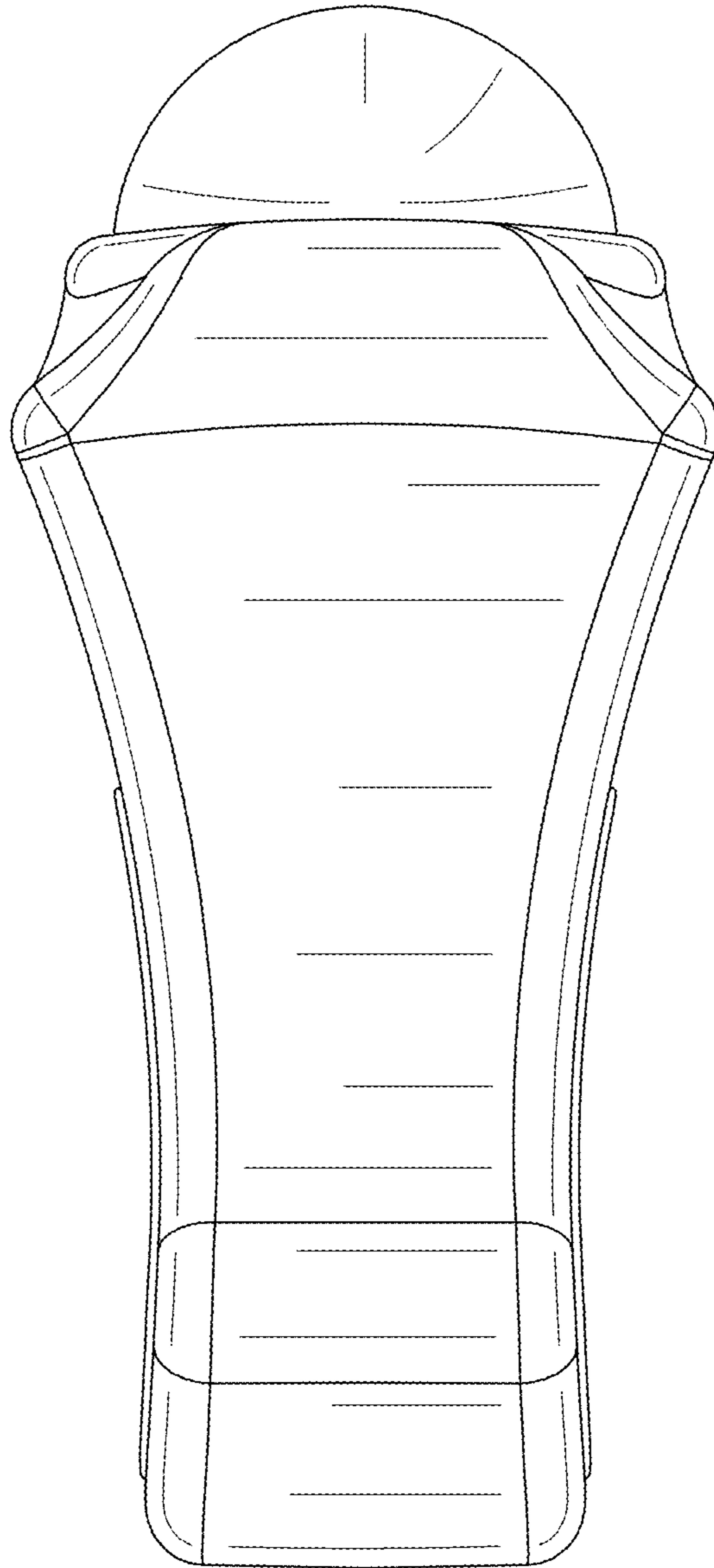


FIG. 3

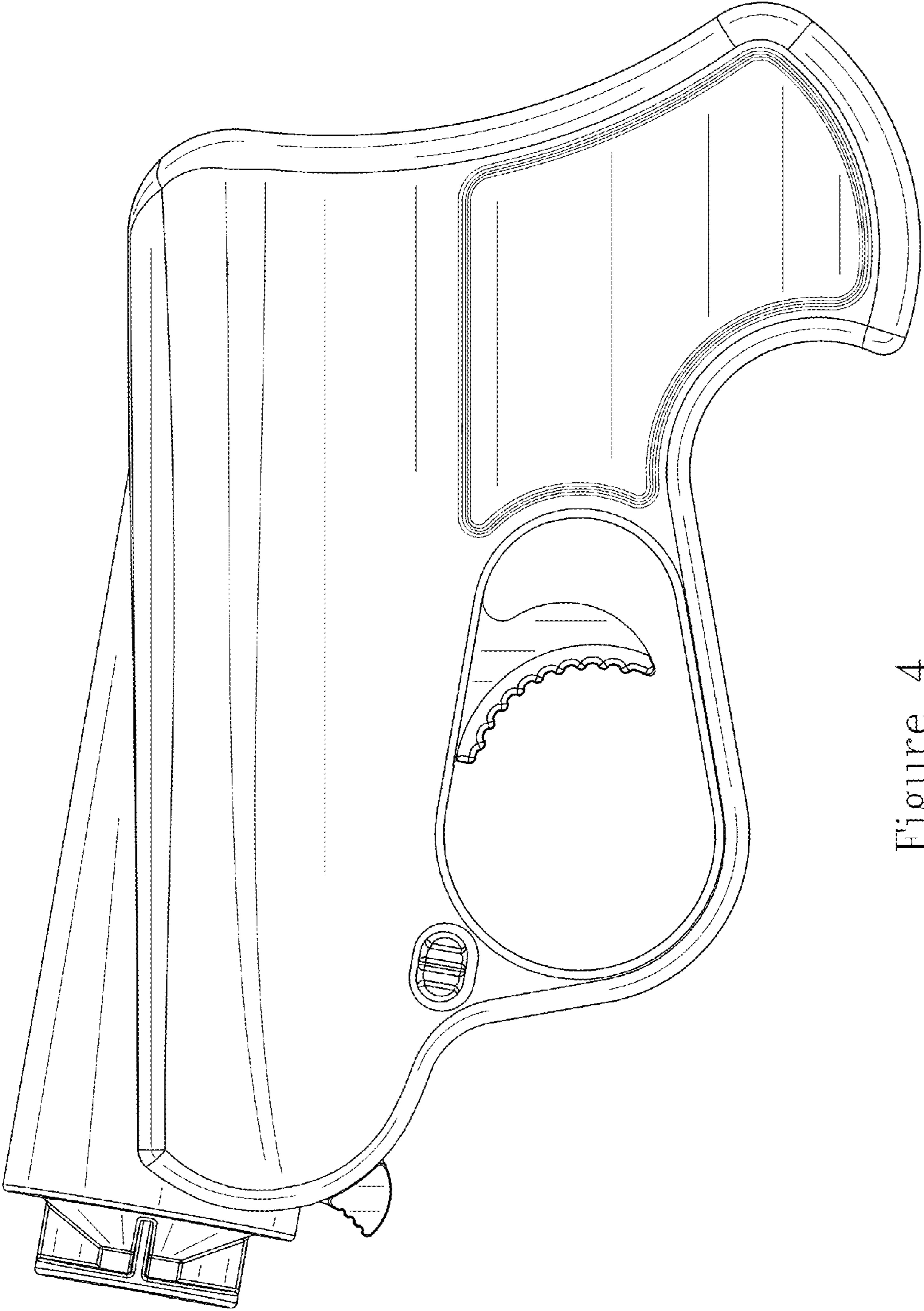


Figure 4

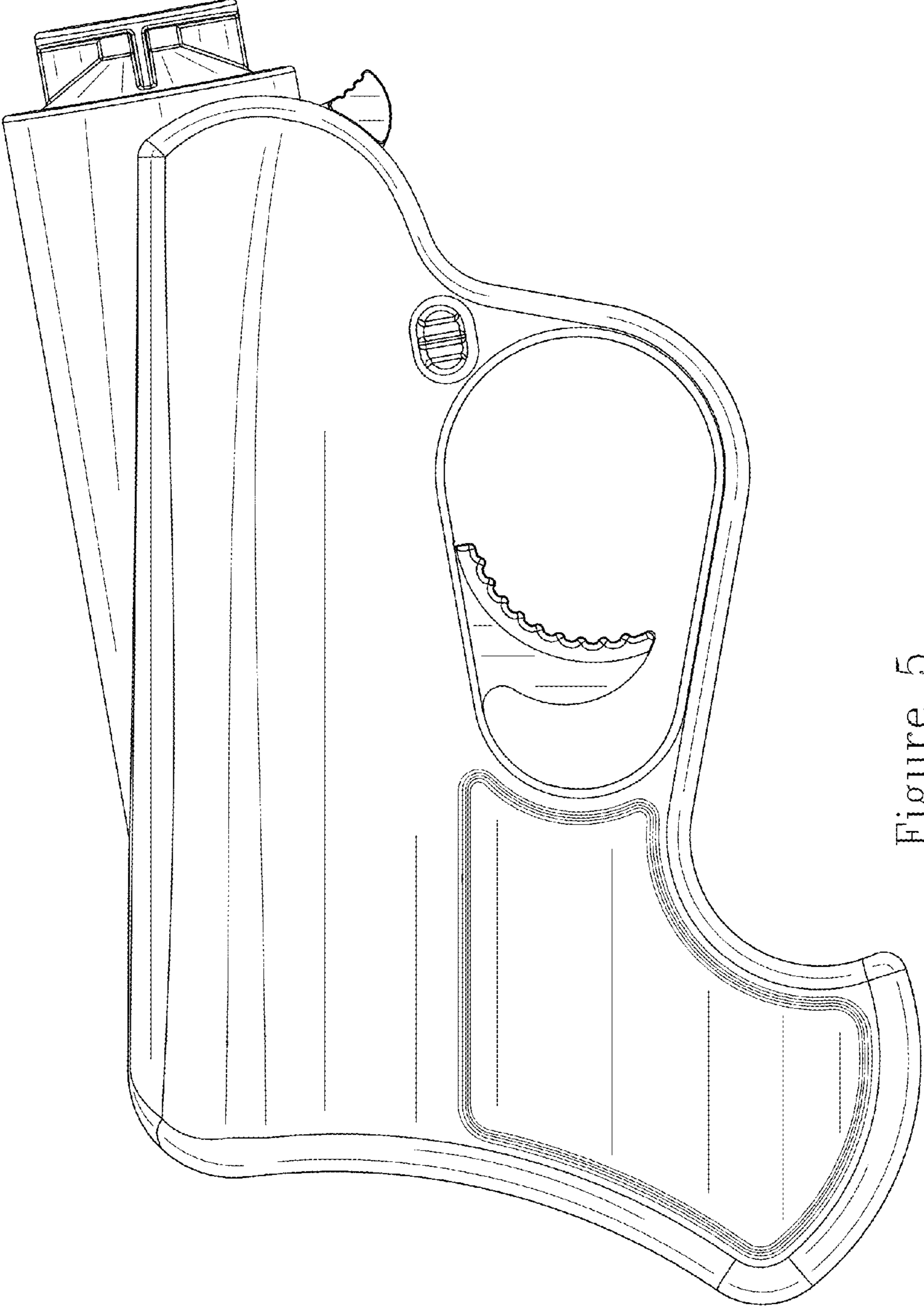


Figure 5

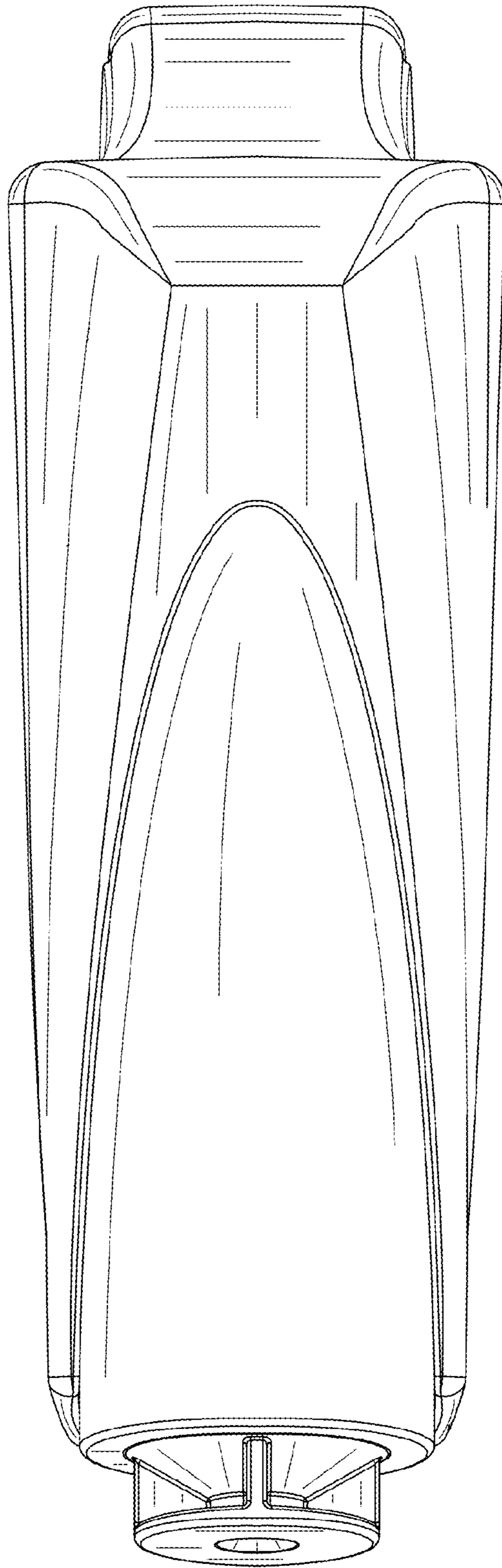


Figure 6

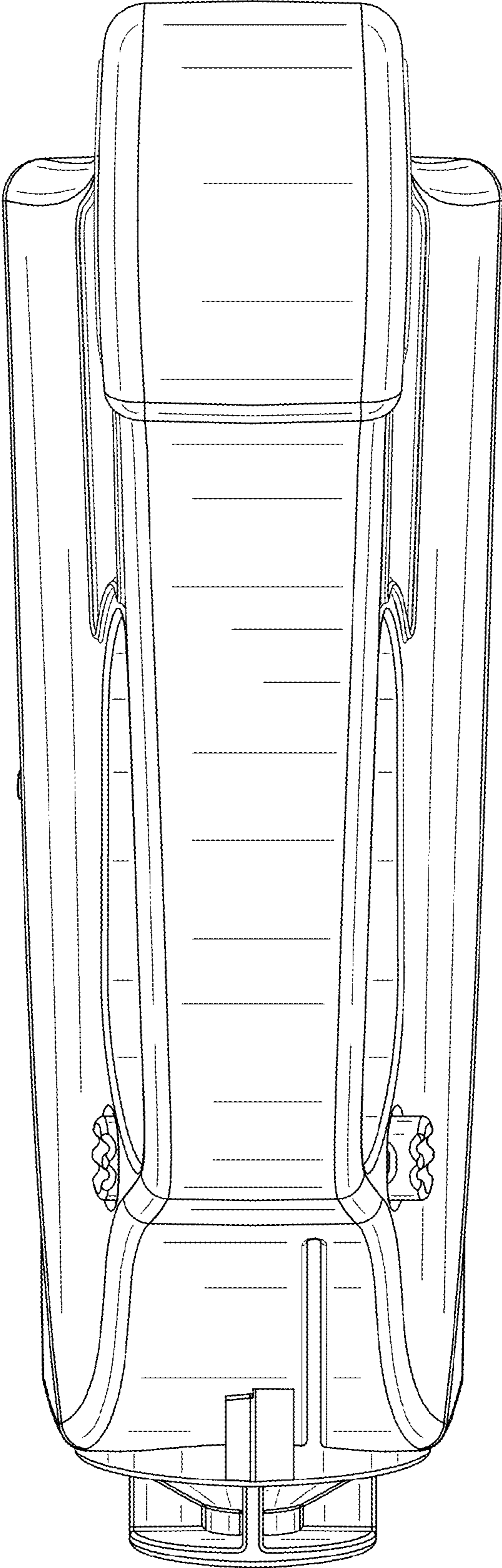


Figure 7