



US00D706380S

(12) **United States Design Patent**
Gardiner et al.

(10) **Patent No.:** **US D706,380 S**

(45) **Date of Patent:** **** Jun. 3, 2014**

(54) **RIFLE SCOPE**

D674,863 S * 1/2013 Burzel et al. D22/109
D681,152 S * 4/2013 Burzel et al. D22/109

(71) Applicant: **Nikon Vision Co., Ltd.**, Tokyo (JP)

* cited by examiner

(72) Inventors: **Matthew Gardiner**, Derby (GB);
Tomohiro Hoshi, Tokyo (JP)

Primary Examiner — Michael A Pratt

(74) *Attorney, Agent, or Firm* — Wolf, Greenfield & Sacks,
P.C.; Randy J. Pritzker

(73) Assignee: **Nikon Vision Co., Ltd.**, Tokyo (JP)

(57) **CLAIM**

The ornamental design for a rifle scope, as shown and described.

(**) Term: **14 Years**

(21) Appl. No.: **29/440,208**

DESCRIPTION

(22) Filed: **Dec. 19, 2012**

(51) **LOC (10) Cl.** **22-01**

(52) **U.S. Cl.**
USPC **D22/109**

(58) **Field of Classification Search**
USPC D22/109–110; 42/111, 133, 119, 122;
D16/132, 130, 133, 330, 134; 359/399,
359/823, 744

See application file for complete search history.

FIG. 1 is a front, top and right side perspective view of a rifle scope showing our new design;
FIG. 2 is a rear, top and left side perspective view thereof;
FIG. 3 is a front view thereof;
FIG. 4 is a rear view thereof;
FIG. 5 is a top plan view thereof;
FIG. 6 is an enlarged right side view thereof; and,
FIG. 7 is an enlarged view of the portion indicated by line 7-7 in FIG. 1.

The features shown in broken lines in the drawings depict environmental subject matter only and form no part of the claimed design. The dot-dashed lines define the boundaries of the claimed design and form no part thereof.

(56) **References Cited**

U.S. PATENT DOCUMENTS

D365,858 S * 1/1996 Tomita D22/109

1 Claim, 7 Drawing Sheets

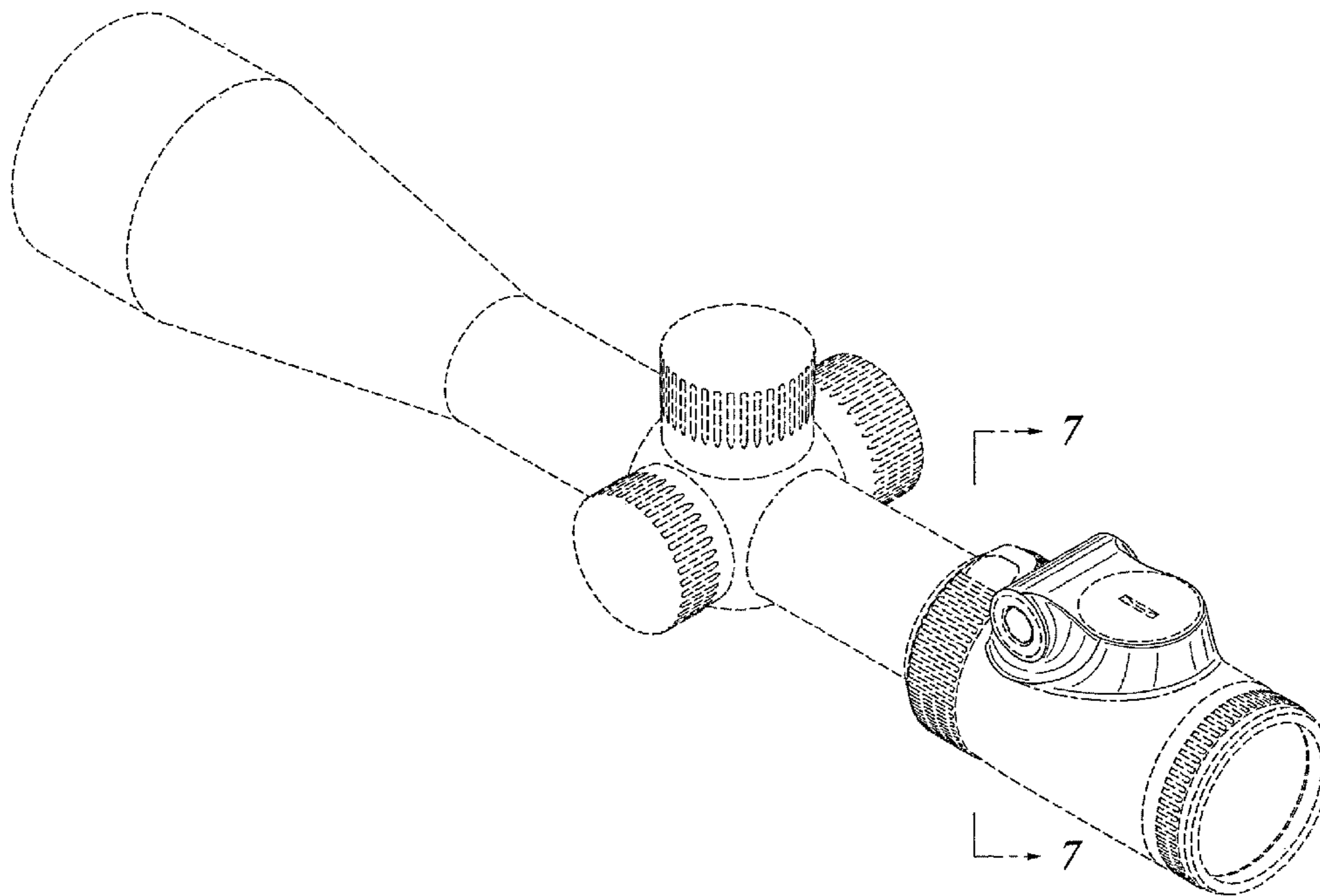


FIG. 1

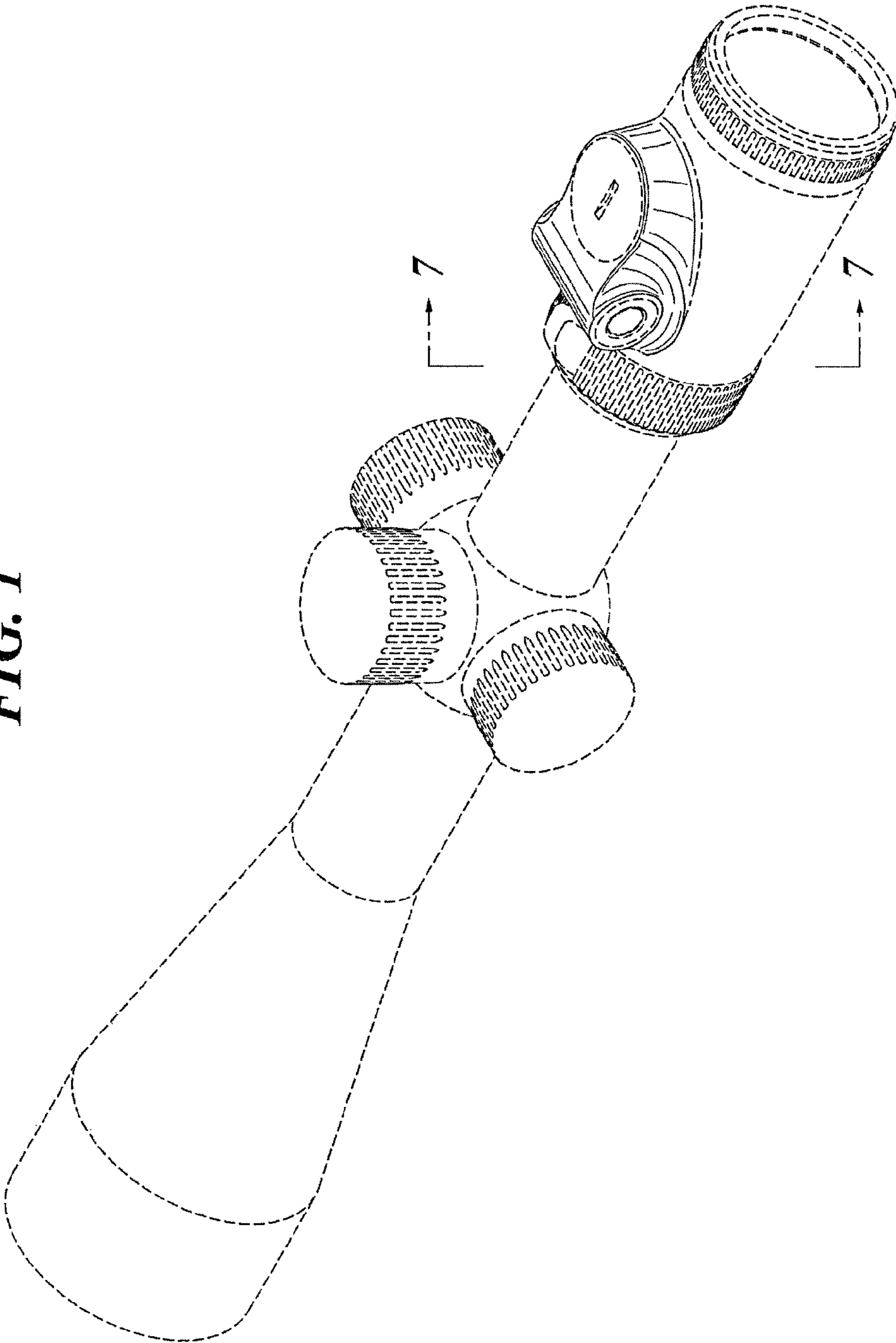


FIG. 2

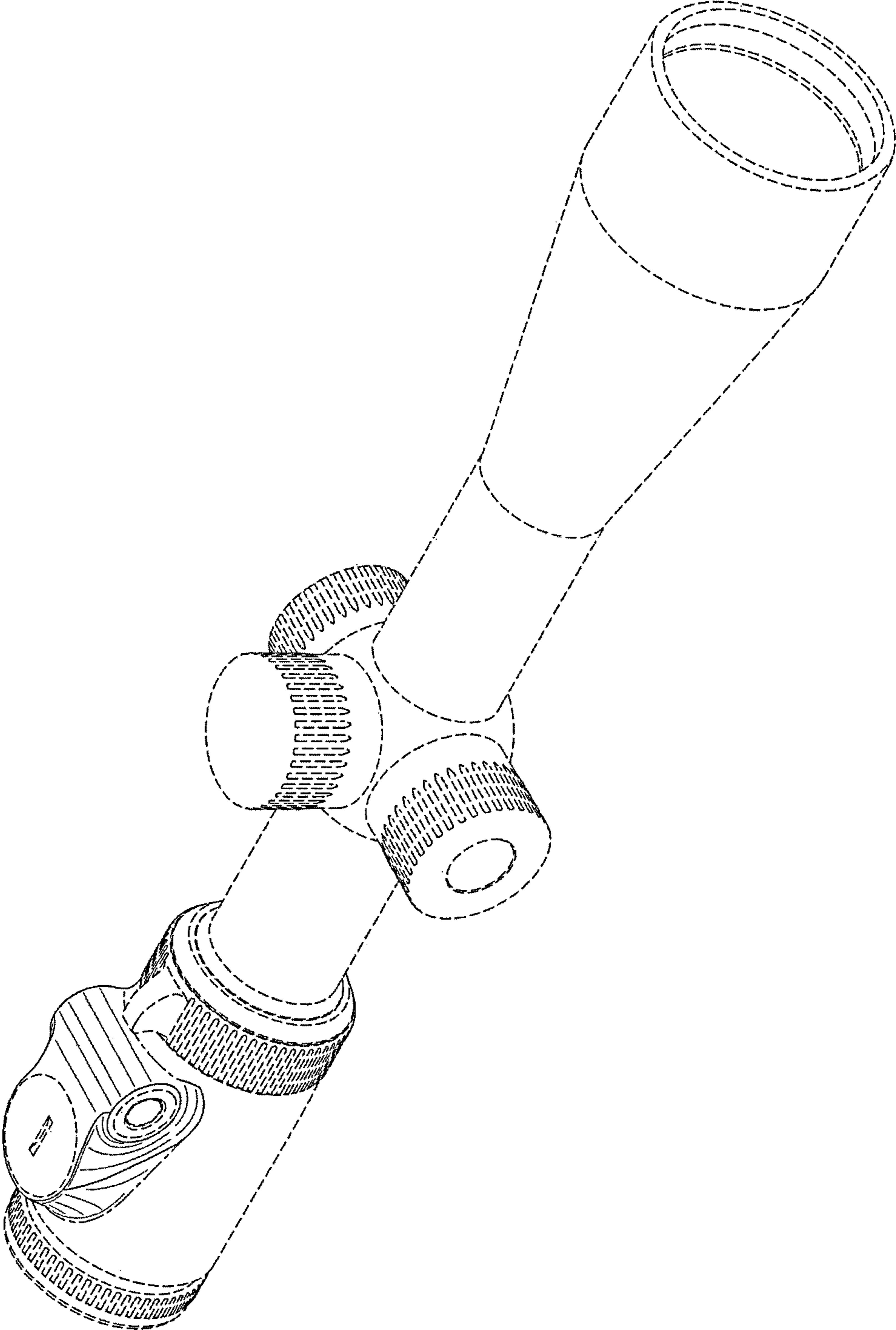


FIG. 3

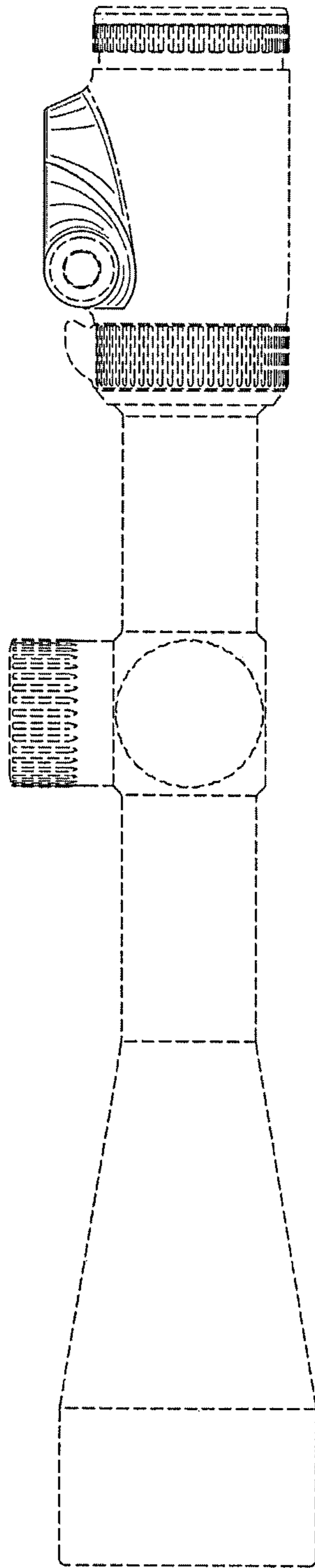


FIG. 4

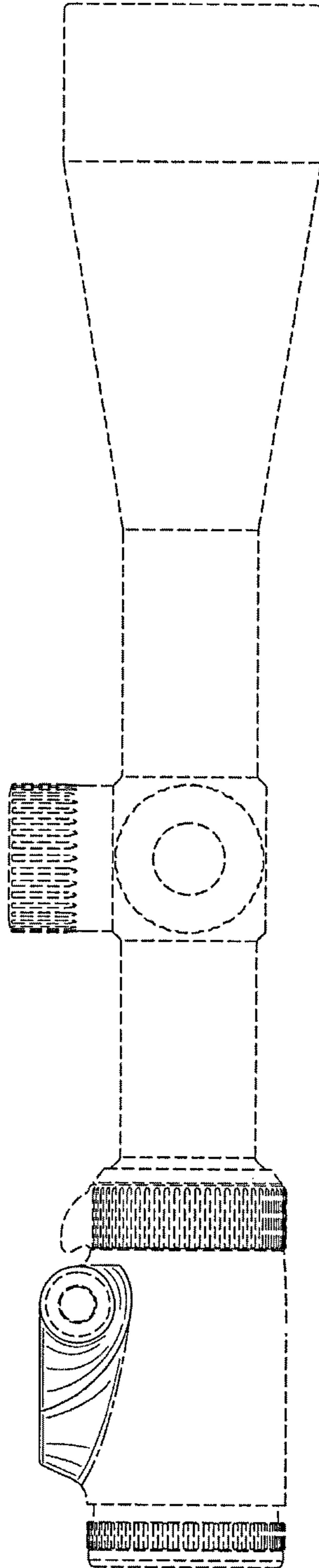


FIG. 5

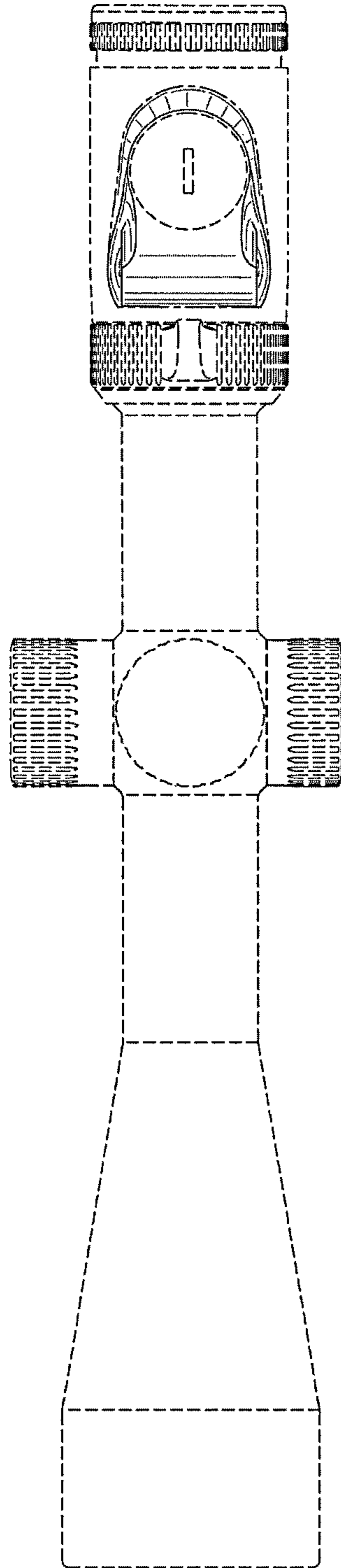


FIG. 6

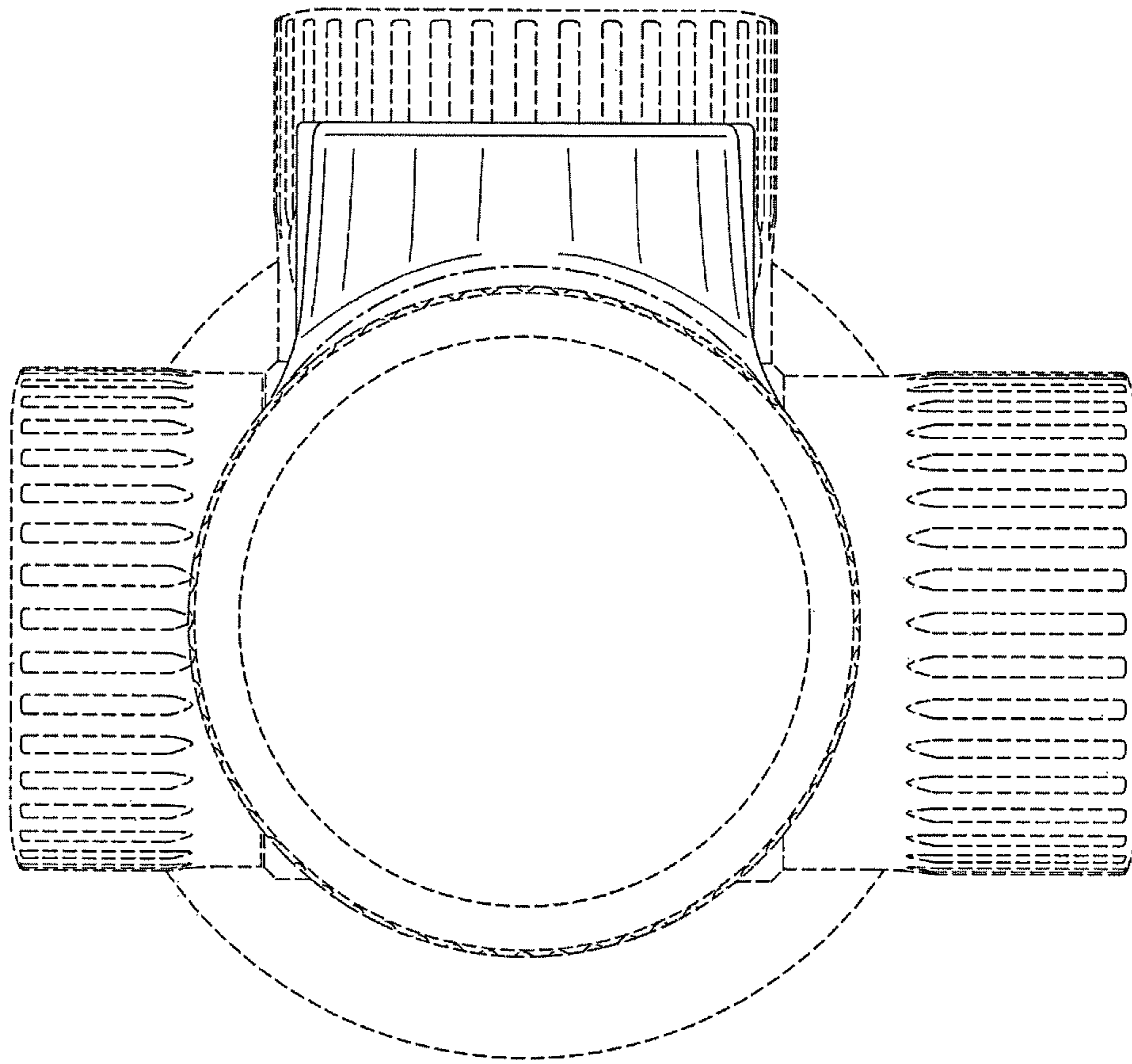


FIG. 7

