



US00D706378S

(12) **United States Design Patent**
Fitzpatrick et al.

(10) **Patent No.:** **US D706,378 S**
(45) **Date of Patent:** **** Jun. 3, 2014**

(54) **RAIL MOUNTED SLING ATTACHMENT**

- (71) Applicant: **Magpul Industries Corporation**, Erie, CO (US)
- (72) Inventors: **Richard Fitzpatrick**, Longmont, CO (US); **Thomas Ward, Jr.**, Tualatin, OR (US); **Michael T. Mayberry**, Denver, CO (US); **Duane Liptak**, Longmont, CO (US); **Brad Bennett**, Lafayette, CO (US); **Nick Kielsmeier**, Thornton, CO (US); **Grady Barfoot**, Denver, CO (US)
- (73) Assignee: **Magpul Industries Corporation**, Erie, CO (US)

(**) Term: **14 Years**

(21) Appl. No.: **29/443,123**

(22) Filed: **Jan. 14, 2013**

(51) **LOC (10) Cl.** **22-01**

(52) **U.S. Cl.**
USPC **D22/108**

(58) **Field of Classification Search**
USPC D22/108; 42/85, 94; D29/101.1, 101.2;
D3/214–215, 221, 262, 327–328;
224/150; D8/356
See application file for complete search history.

(56) **References Cited**

U.S. PATENT DOCUMENTS

D363,049 S *	10/1995	Murai	D11/218
D455,191 S *	4/2002	Norris, Sr.	D22/108
6,598,330 B2	7/2003	Garrett		
D508,726 S	8/2005	Storch		
D632,954 S *	2/2011	Fitzpatrick et al.	D8/395
D636,835 S *	4/2011	Fitzpatrick et al.	D22/108
D636,836 S	4/2011	Fitzpatrick et al.		
D639,890 S *	6/2011	Troy, Jr.	D22/108
7,971,383 B2	7/2011	Fitzpatrick		
D668,731 S	10/2012	Fitzpatrick		
D669,150 S	10/2012	Mayberry		

(Continued)

OTHER PUBLICATIONS

Bravo Company USA Sling-Swivel-Mounts, Online Catalog (2010), <http://www.bravocompanyusa.com/Sling-Swivel-Mounts-s/63.htm>.

(Continued)

Primary Examiner — Michael A Pratt

(74) *Attorney, Agent, or Firm* — Swanson & Bratschun, L.L.C.

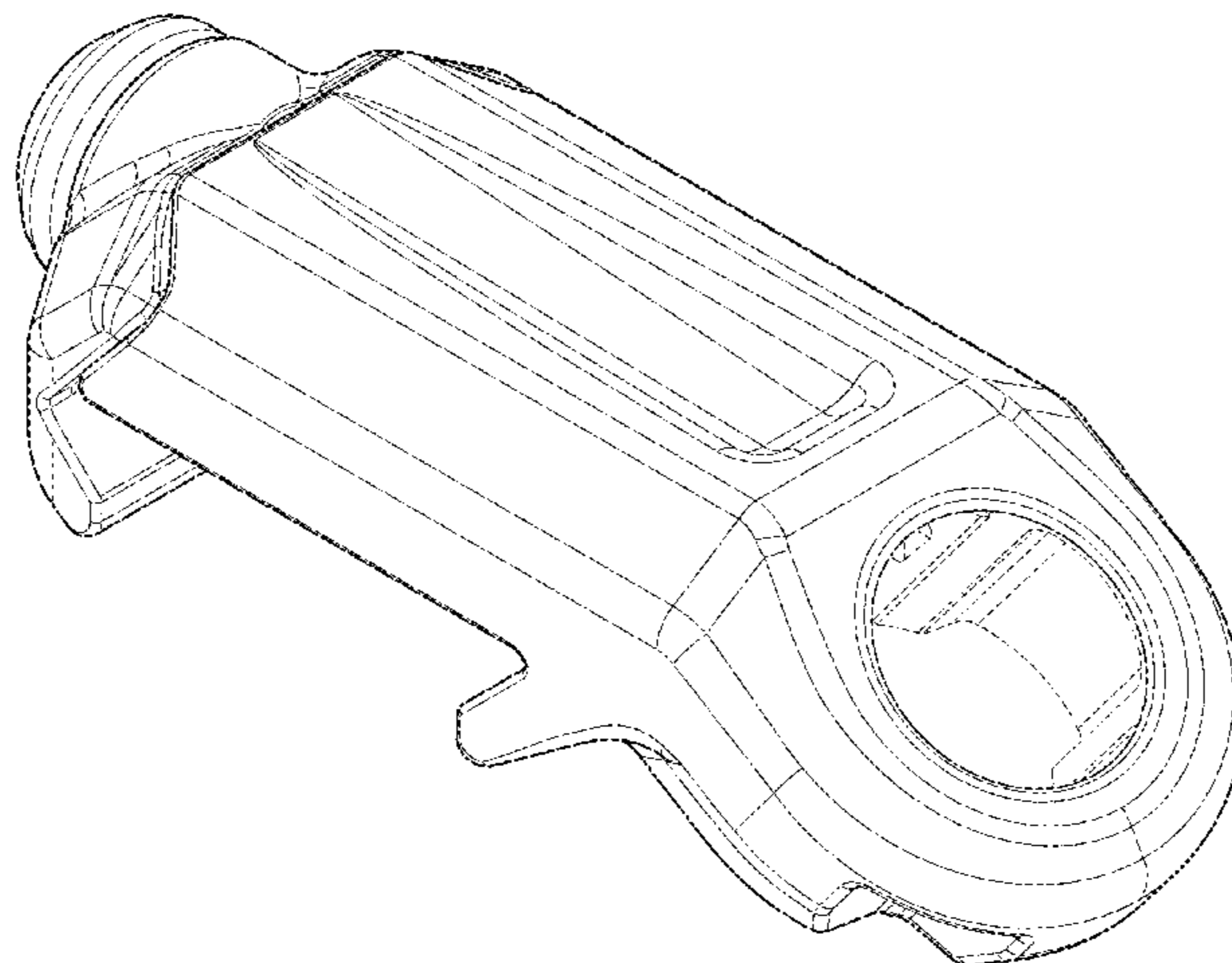
(57) **CLAIM**

The ornamental design for a rail-mounted sling attachment, as shown and described.

DESCRIPTION

FIG. 1 is a rear, right, top perspective view of a rail-mounted sling showing our new design;
 FIG. 2 is a front elevation view of the rail-mounted sling attachment of FIG. 1;
 FIG. 3 is a rear elevation view of the rail-mounted sling attachment of FIG. 1;
 FIG. 4 is a top plan view of the rail-mounted sling attachment of FIG. 1;
 FIG. 5 is a bottom plan view of the rail-mounted sling attachment of FIG. 1;
 FIG. 6 is a left side elevation view of the rail-mounted sling attachment of FIG. 1;
 FIG. 7 is a right side elevation view of the rail-mounted sling attachment of FIG. 1;
 FIG. 8 is a front, left, top perspective view of the rail-mounted sling attachment of FIG. 1;
 FIG. 9 is a rear, right, bottom perspective view of the rail-mounted sling attachment of FIG. 1; and,
 FIG. 10 is a front, left, bottom perspective view of the rail-mounted sling attachment of FIG. 1.
 The broken lines showing portions of the design in all figures are included for the purpose of illustrating unclaimed features and forms not part of the claimed design.

1 Claim, 8 Drawing Sheets



(56)

References Cited

OTHER PUBLICATIONS

U.S. PATENT DOCUMENTS

D694,845 S * 12/2013 Satzinger D22/108
2010/0287808 A1 11/2010 King
2011/0107643 A1 5/2011 Fitzpatrick
2013/0305582 A1* 11/2013 Mayberry et al. 42/85

Wilson Combat Picatinny Rail Sling Mounts, Online Catalog (2010),

http://www.wilsoncombat.com/r_pr_slingmounts.asp.

* cited by examiner

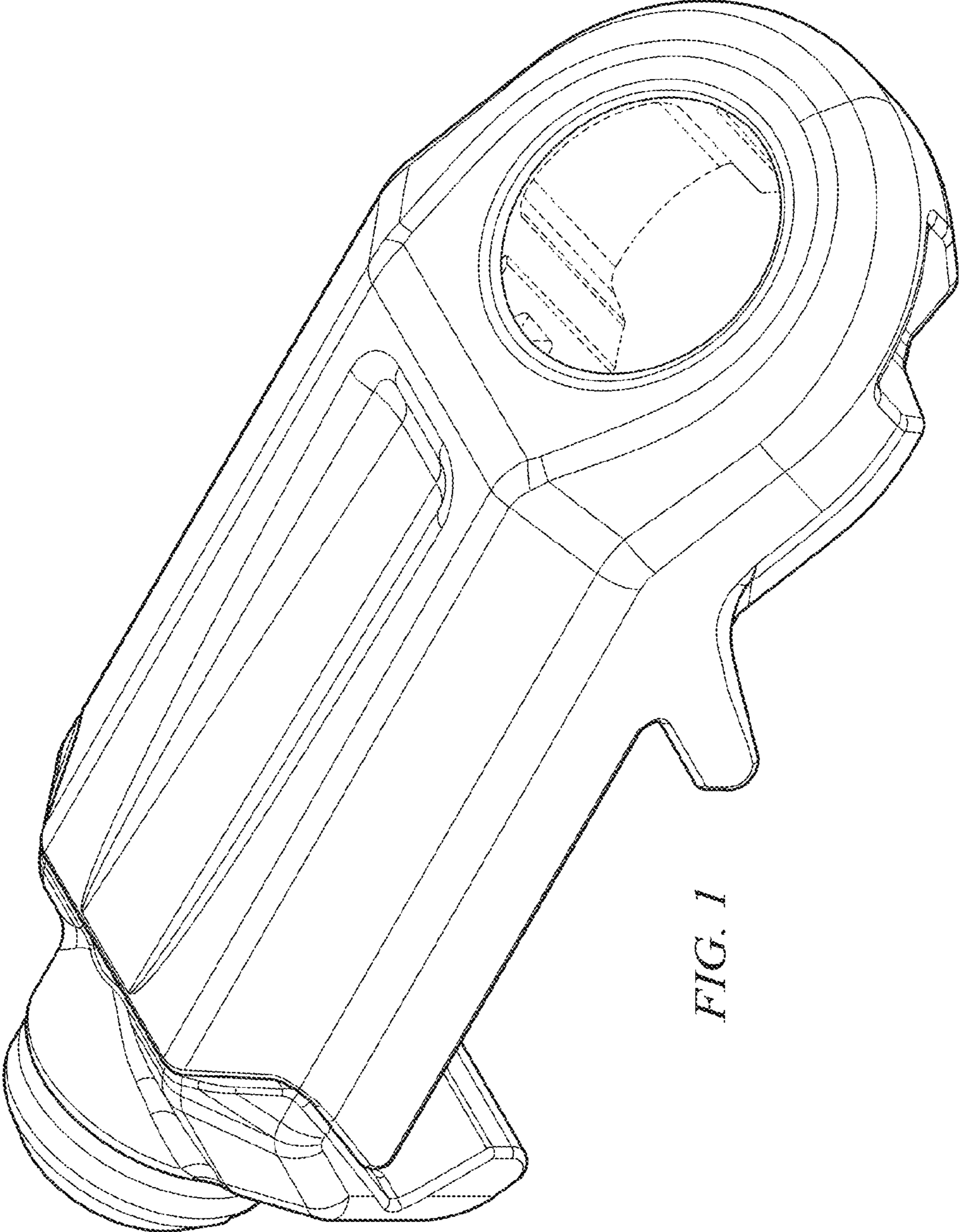
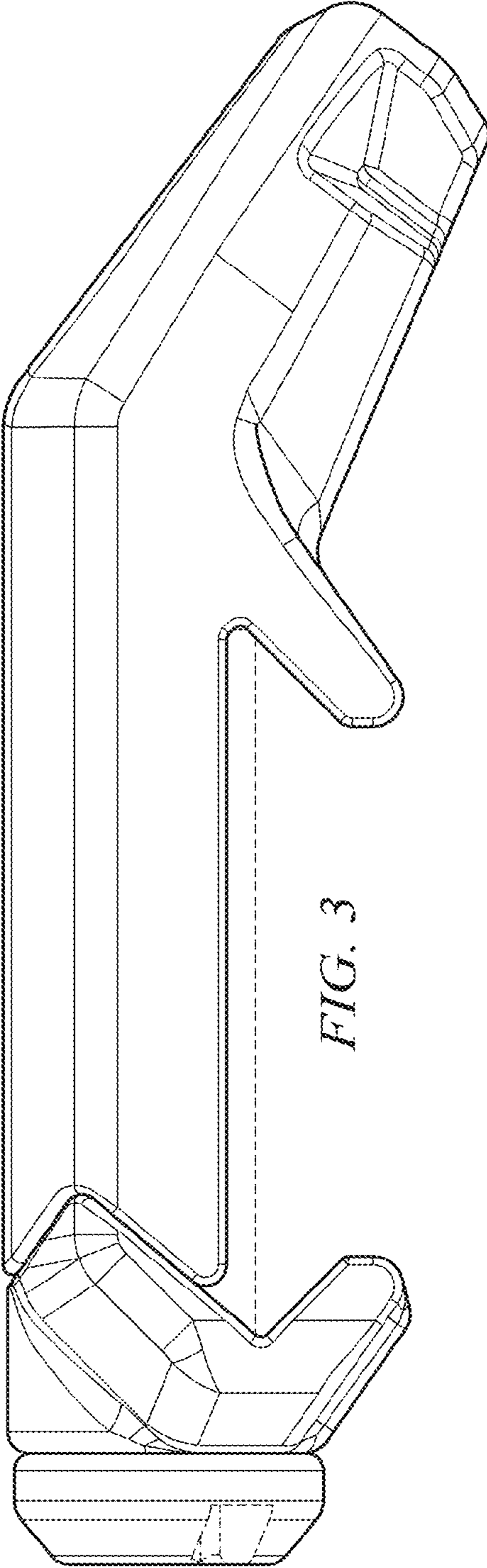
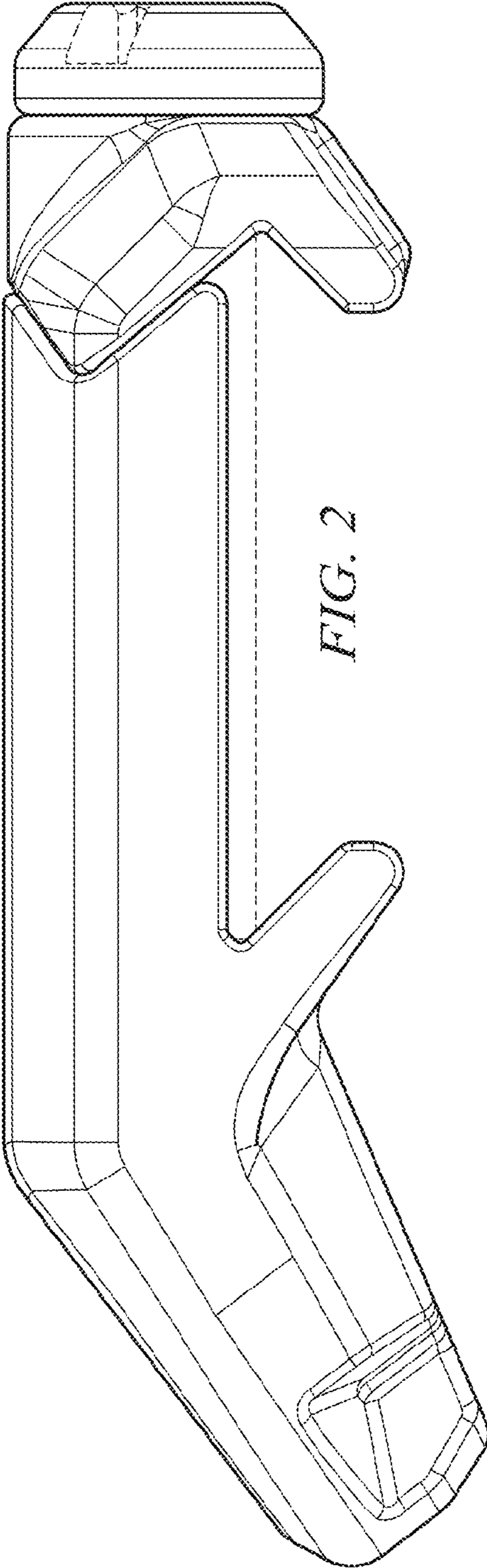


FIG. 1



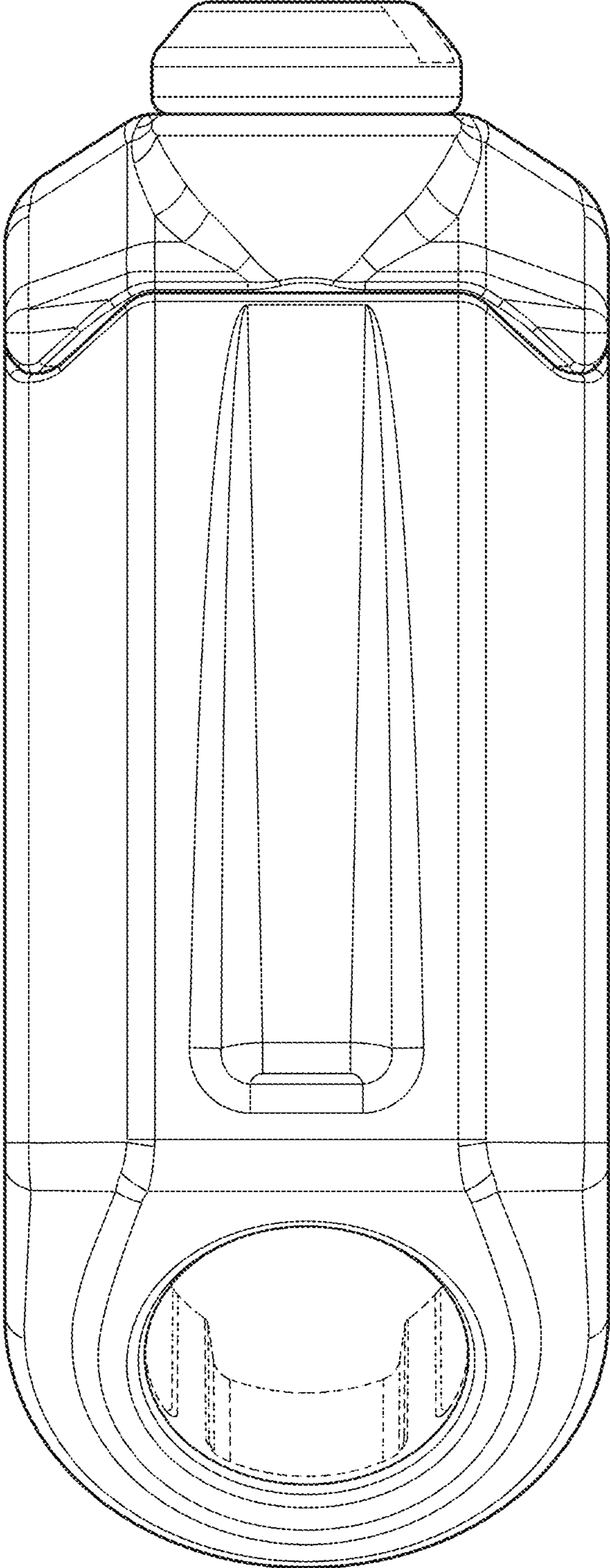


FIG. 4

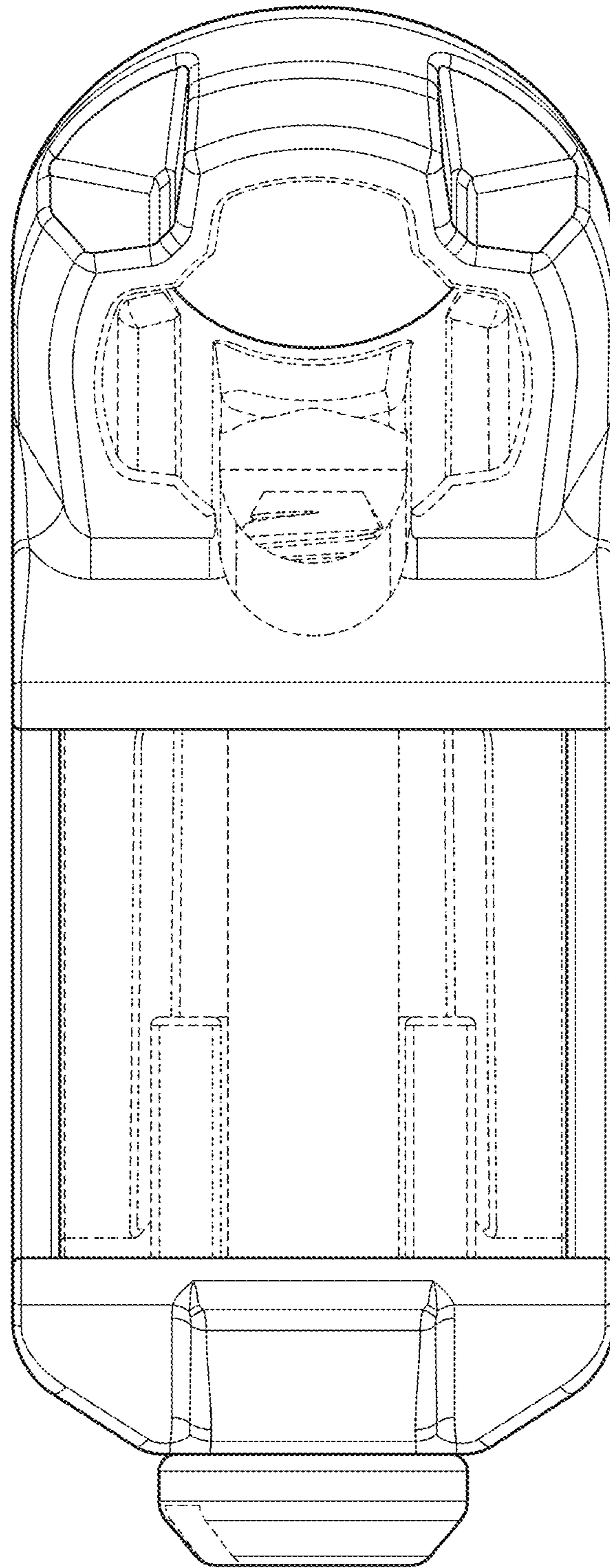


FIG. 5

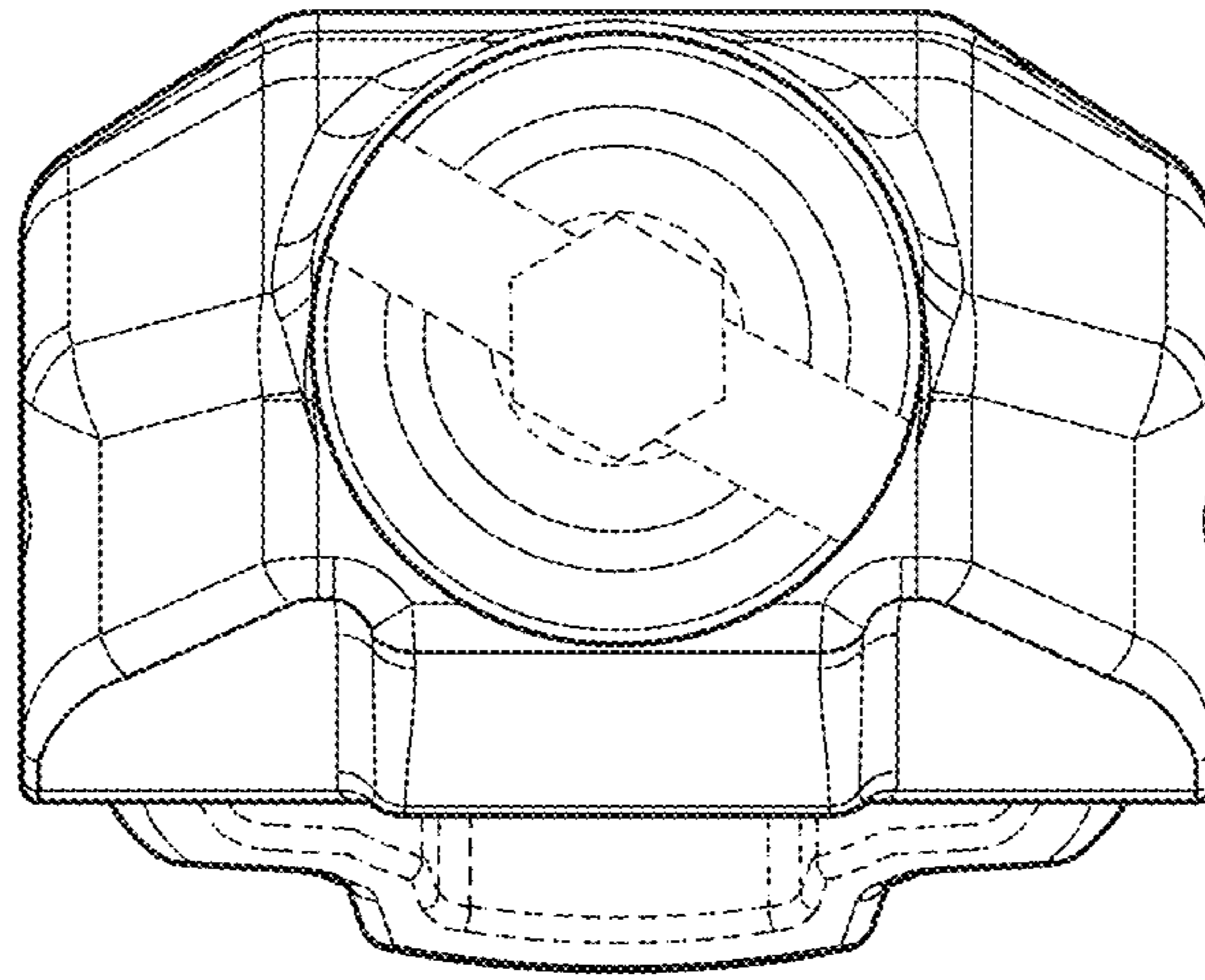


FIG. 6

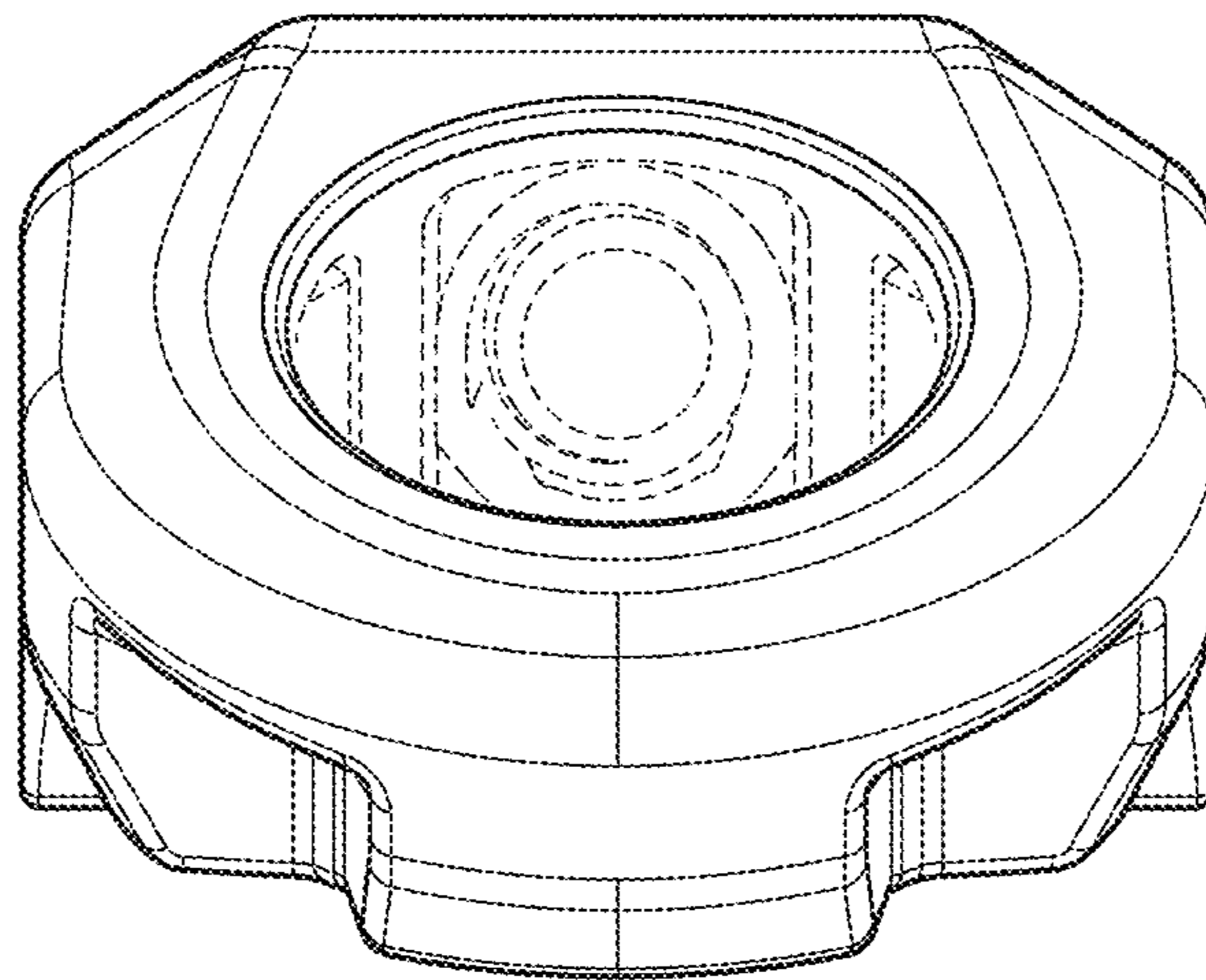


FIG. 7

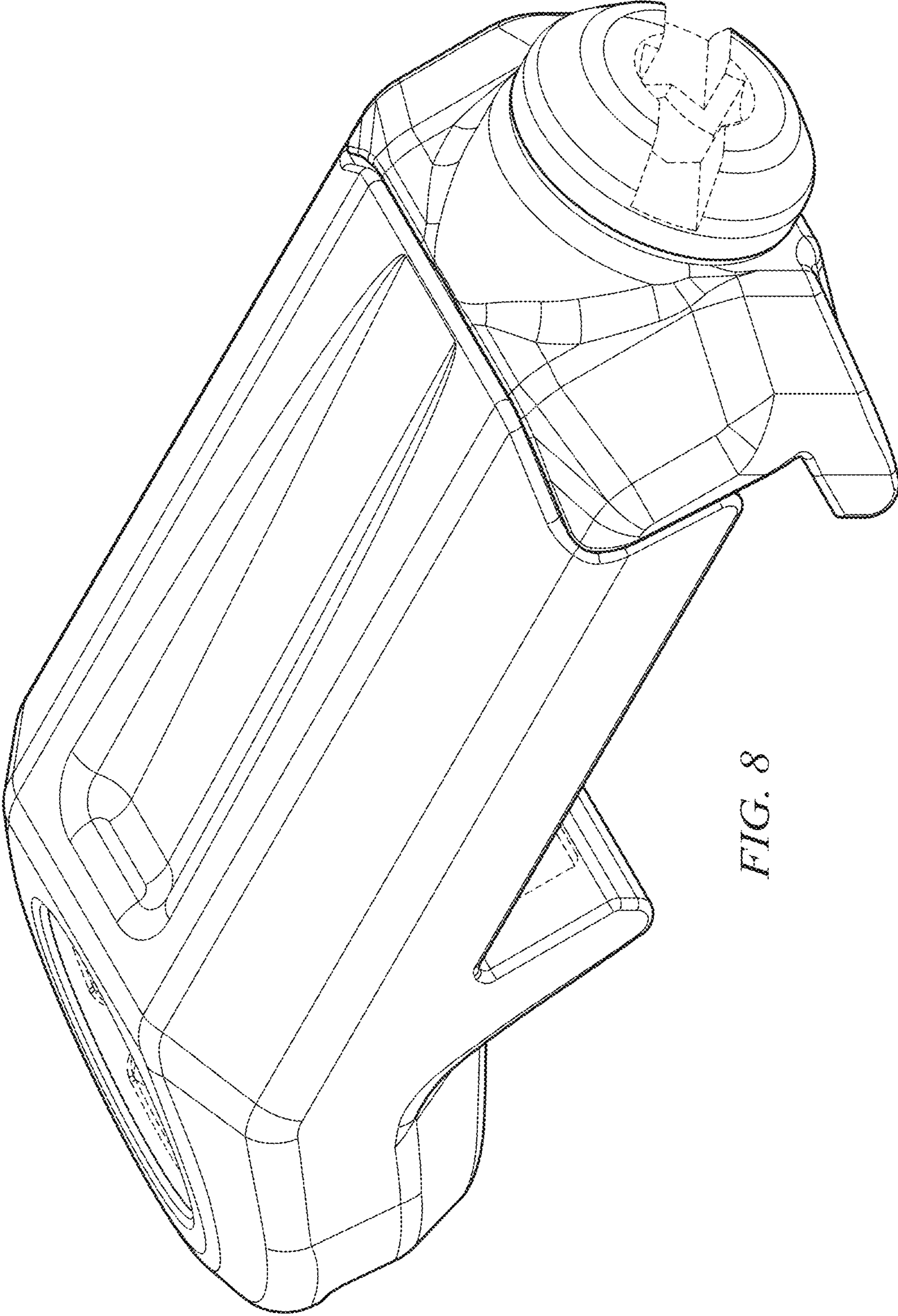


FIG. 8

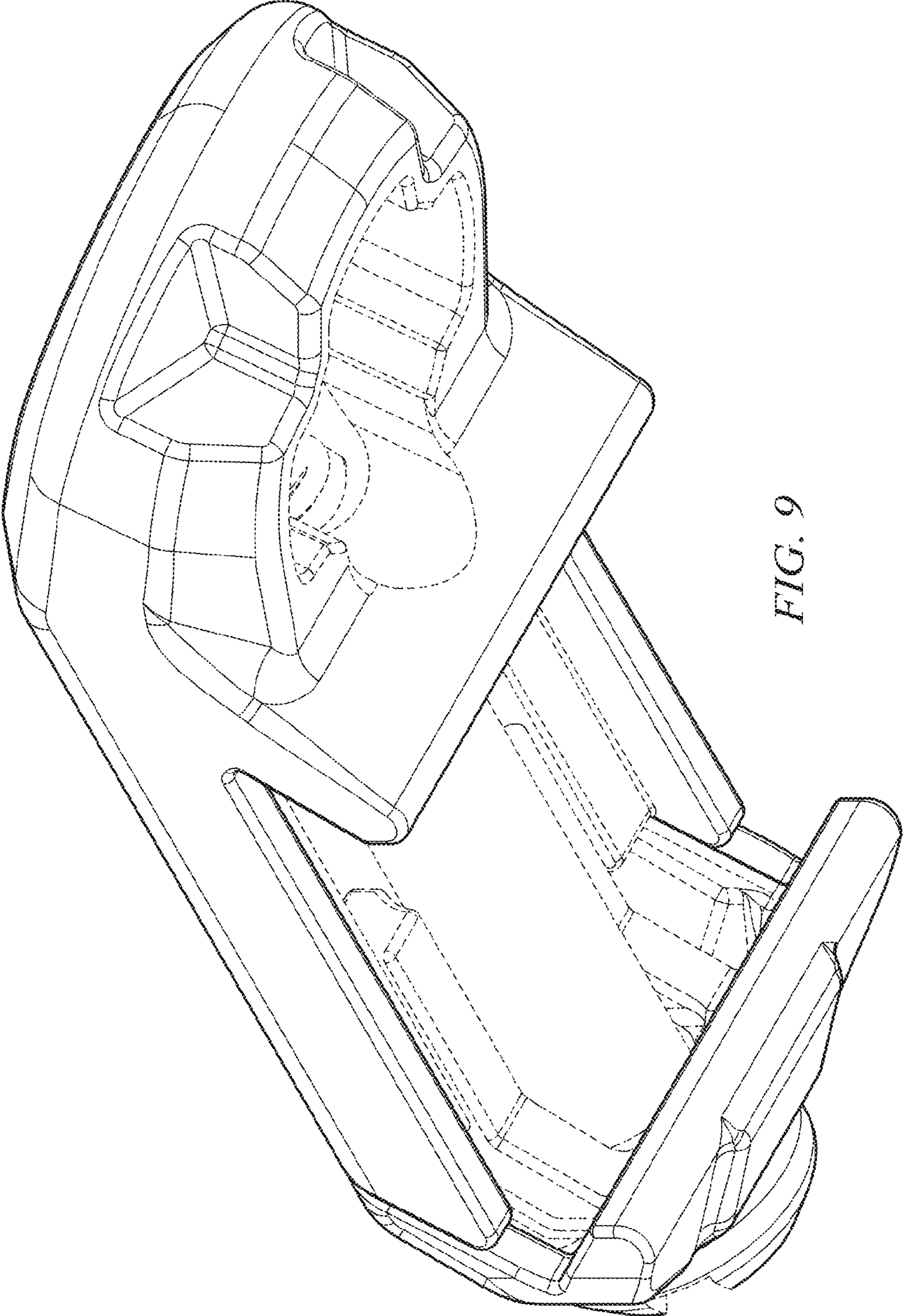


FIG. 9

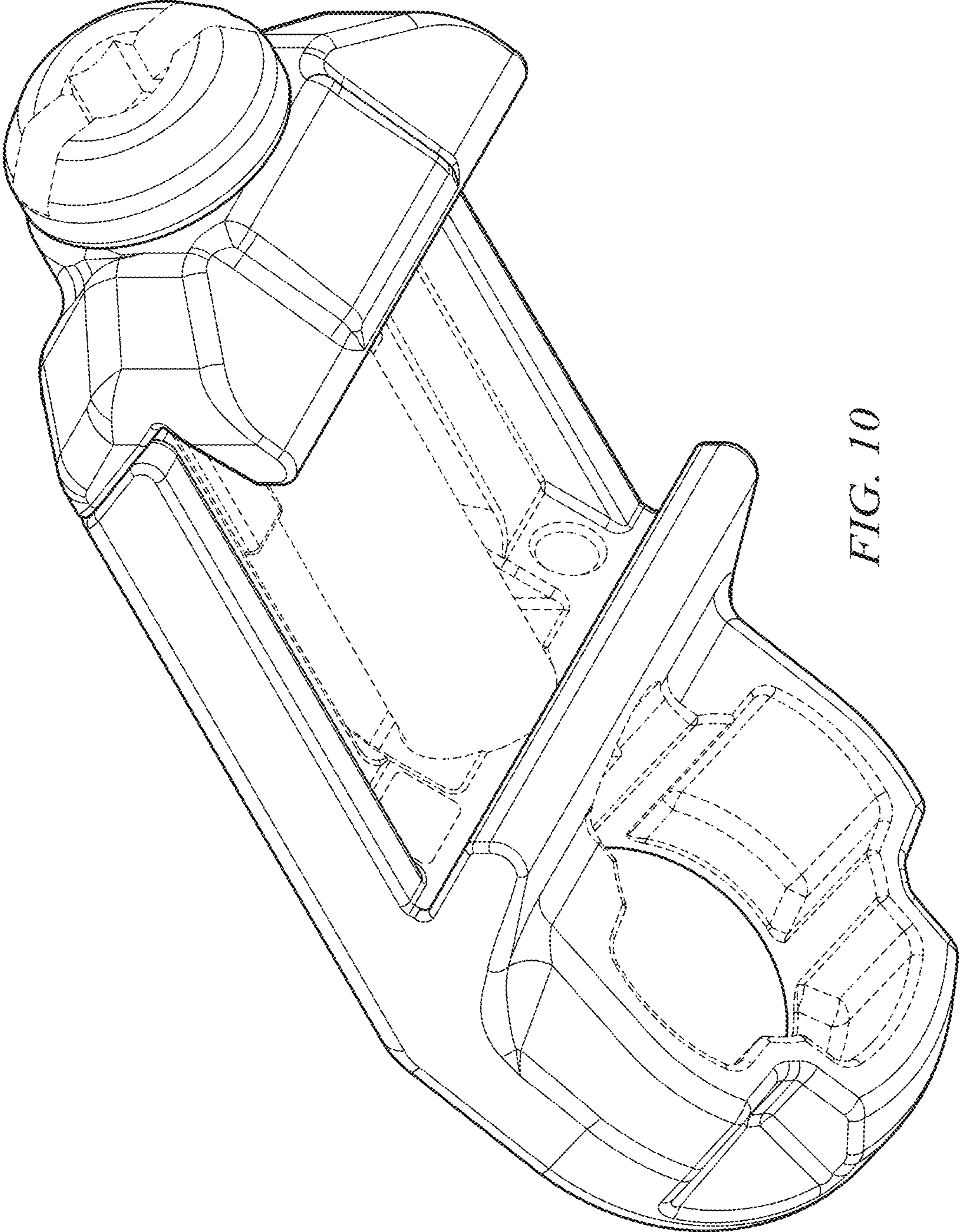


FIG. 10