



US00D706377S

(12) **United States Design Patent**  
**Zayatz et al.**

(10) **Patent No.:** **US D706,377 S**

(45) **Date of Patent:** **\*\* Jun. 3, 2014**

(54) **FIREARM GRIP**

(71) Applicant: **Magpul Industries Corporation**, Erie, CO (US)

(72) Inventors: **Rick Zayatz**, Berthoud, CO (US); **Nick Kielsmeier**, Thornton, CO (US); **Thomas Ward, Jr.**, Thornton, CO (US); **Richard Fitzpatrick**, Longmont, CO (US); **Michael T. Mayberry**, Denver, CO (US); **Brad Bennett**, Lafayette, CO (US)

(73) Assignee: **Magpul Industries Corporation**, Erie, CO (US)

(\*\*) Term: **14 Years**

(21) Appl. No.: **29/441,005**

(22) Filed: **Dec. 29, 2012**

(51) **LOC (10) Cl.** ..... **22-01**

(52) **U.S. Cl.**  
USPC ..... **D22/108**

(58) **Field of Classification Search**  
USPC ..... D22/100, 108, 199; D8/68;  
42/71.01-74; 89/1.42

See application file for complete search history.

(56) **References Cited**

U.S. PATENT DOCUMENTS

6,658,781 B1	12/2003	Bowen	
7,121,034 B2	10/2006	Keng	
7,356,958 B2	4/2008	Weir	
D600,771 S *	9/2009	Fitzpatrick et al.	..... D22/108
D606,614 S *	12/2009	Fitzpatrick et al.	..... D22/103
D633,163 S	2/2011	Fitzpatrick et al.	
D667,916 S	9/2012	Mayberry	

D692,517 S *	10/2013	Faifer	..... D22/108
2005/0183317 A1 *	8/2005	Finn	..... 42/72
2008/0052979 A1	3/2008	Lee et al.	
2009/0038200 A1	2/2009	Keng	
2010/0139144 A1 *	6/2010	Fitzpatrick et al.	..... 42/73
2012/0180359 A1 *	7/2012	Fitzpatrick et al.	..... 42/71.01

\* cited by examiner

*Primary Examiner* — Michael A Pratt

(74) *Attorney, Agent, or Firm* — Swanson & Bratschun, L.L.C.

(57) **CLAIM**

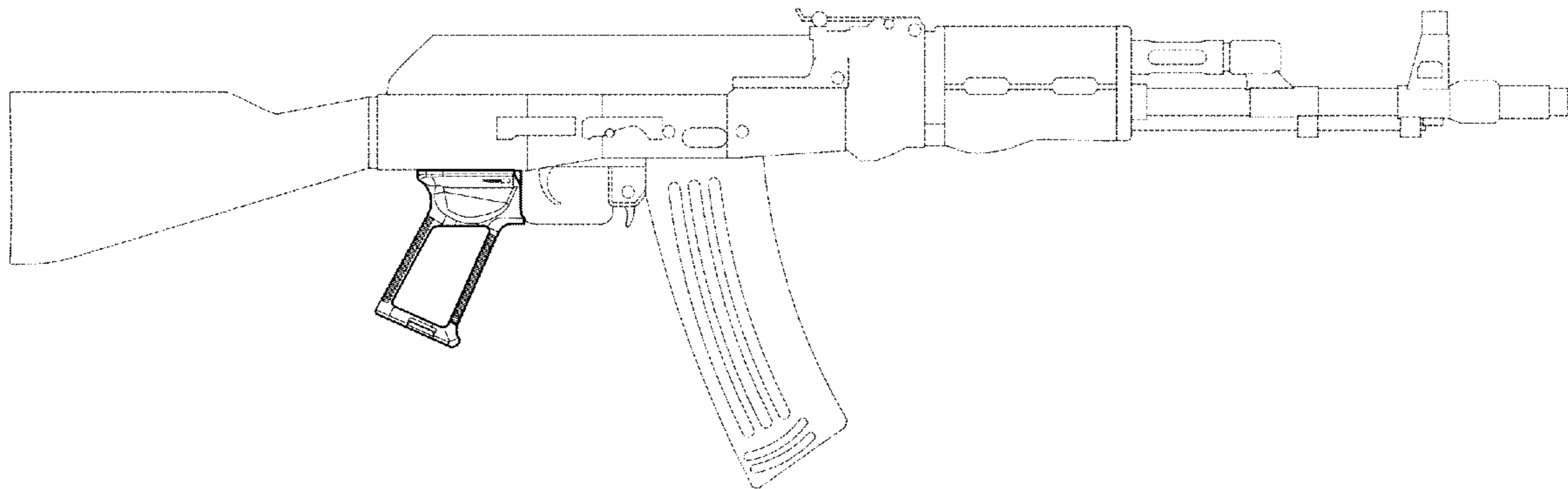
The ornamental design for a firearm grip, as shown and described.

**DESCRIPTION**

FIG. 1 is a right side elevation view of a firearm grip attached to a firearm showing our new design;  
 FIG. 2 is a front, bottom, right perspective view of the firearm grip of FIG. 1 with the firearm omitted;  
 FIG. 3 is a rear, bottom, left perspective view of the firearm grip of FIG. 1 with the firearm omitted;  
 FIG. 4 is a right side elevation view of the firearm grip of FIG. 1 with the firearm omitted, the left side elevation view being a mirror image thereof;  
 FIG. 5 is a front elevation view of the firearm grip of FIG. 1 with the firearm omitted;  
 FIG. 6 is a rear elevation view of the firearm grip of FIG. 1 with the firearm omitted;  
 FIG. 7 is a top plan view of the firearm grip of FIG. 1 with the firearm omitted; and,  
 FIG. 8 is a bottom plan view of the firearm grip of FIG. 1 with the firearm omitted.

The broken lines showing portions of the design in all figures is included for the purpose of illustrating environment and unclaimed features and forms not part of the claimed design.

**1 Claim, 6 Drawing Sheets**



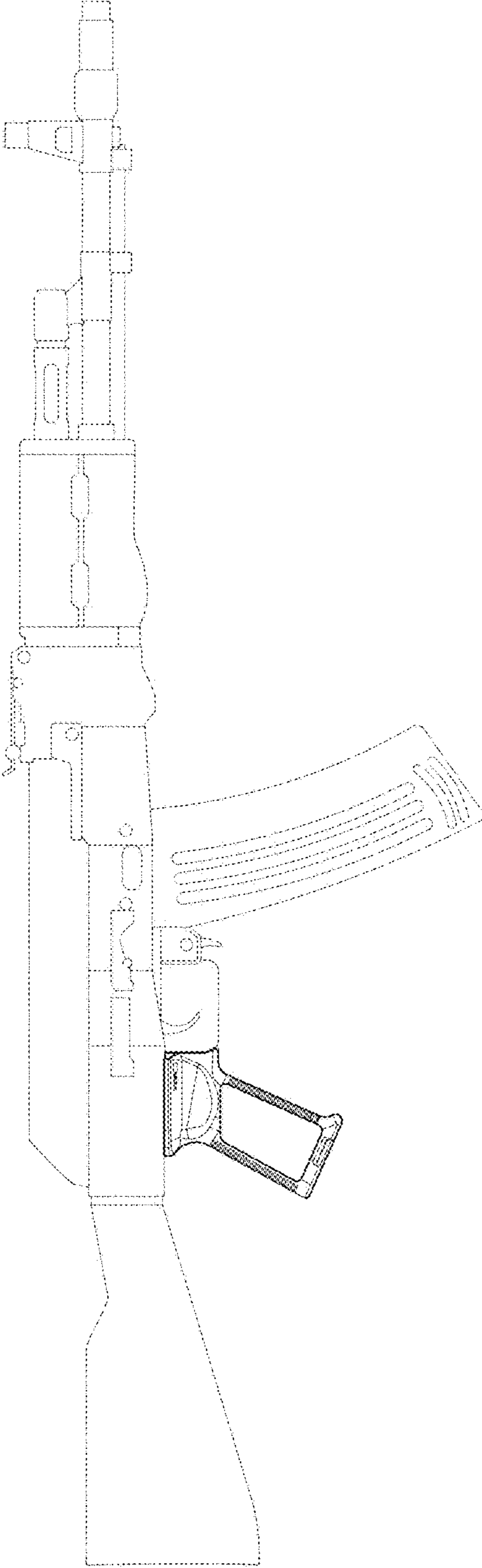


FIG. 1

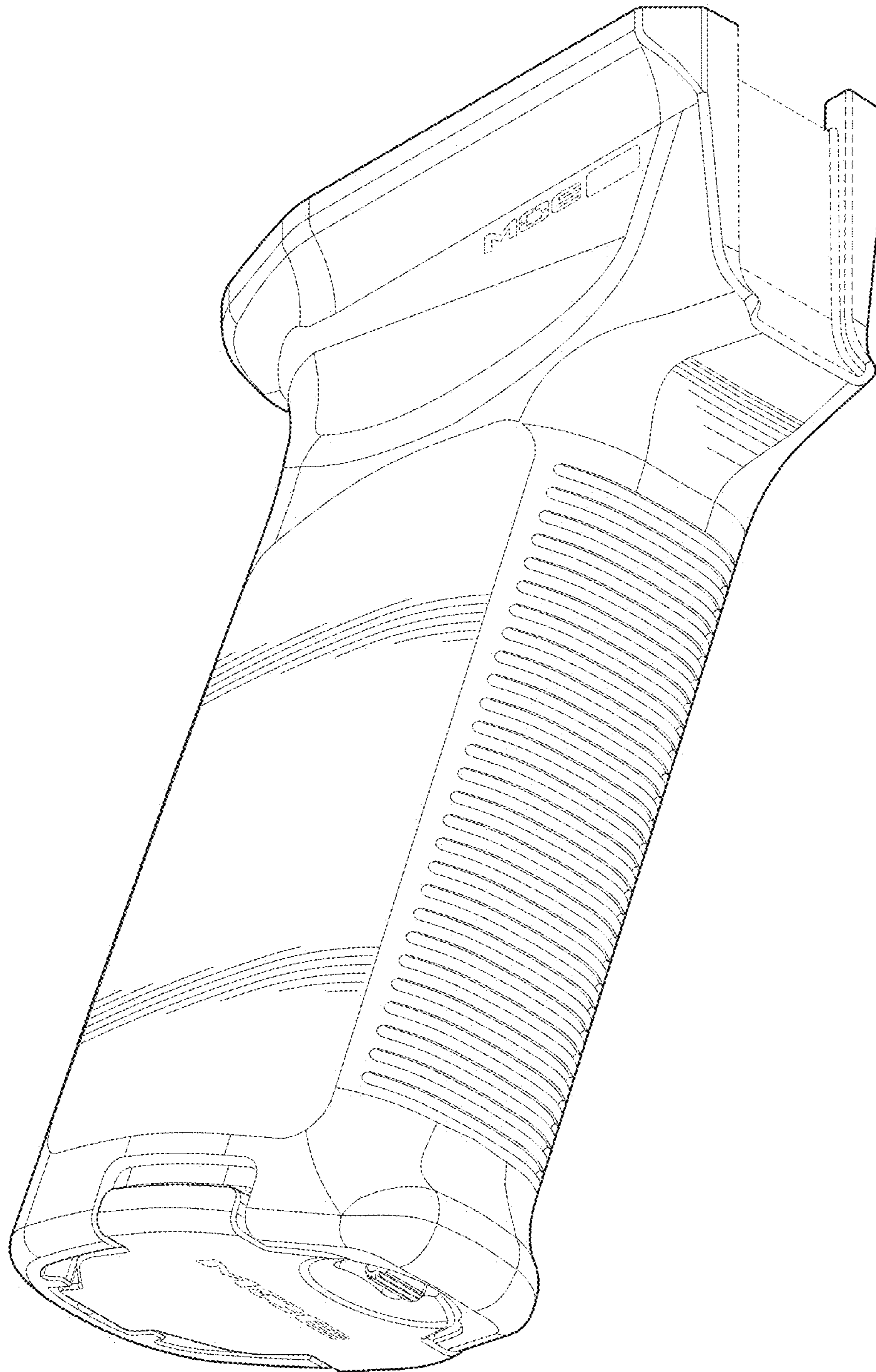


FIG. 2

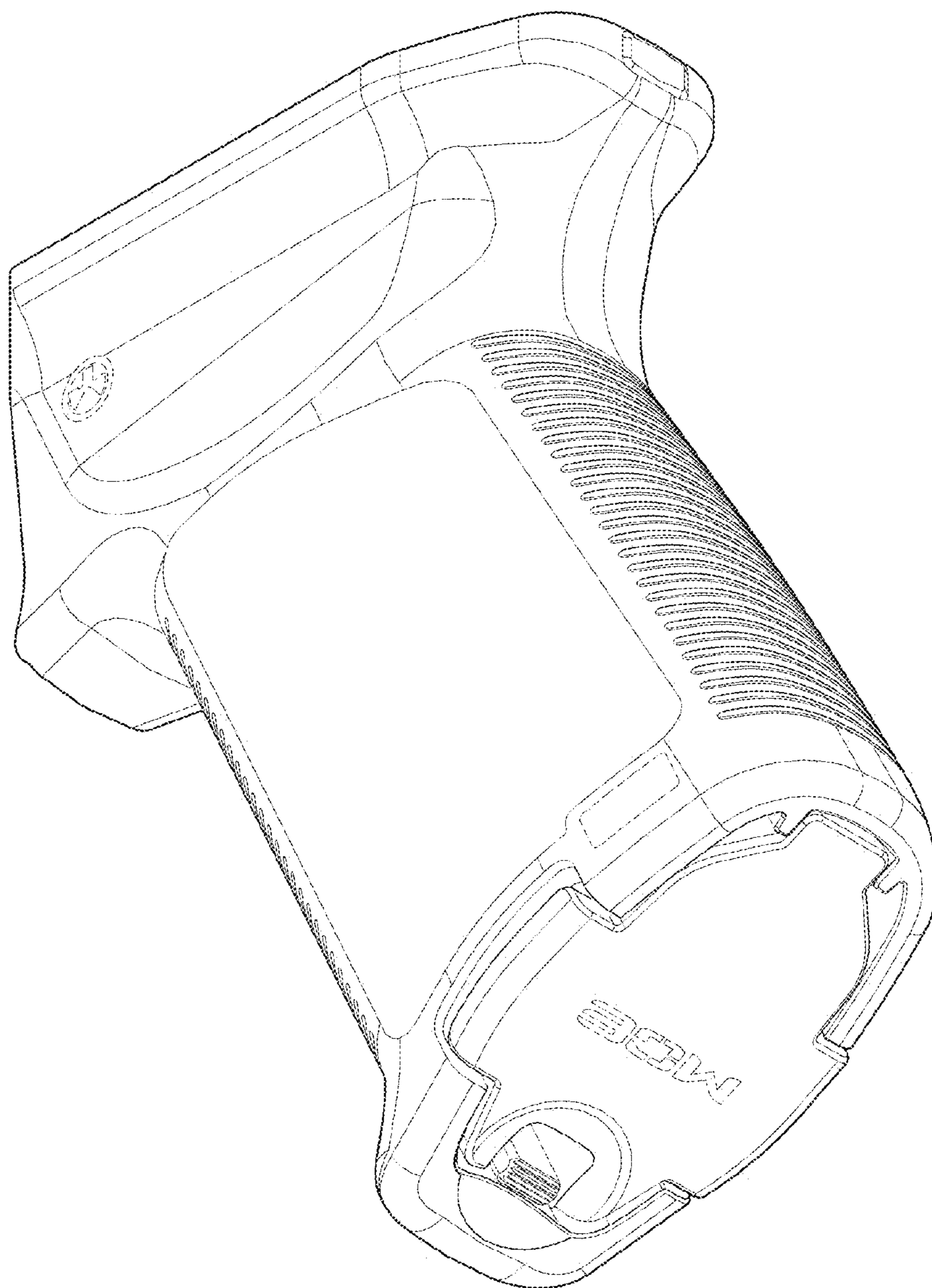


FIG. 3

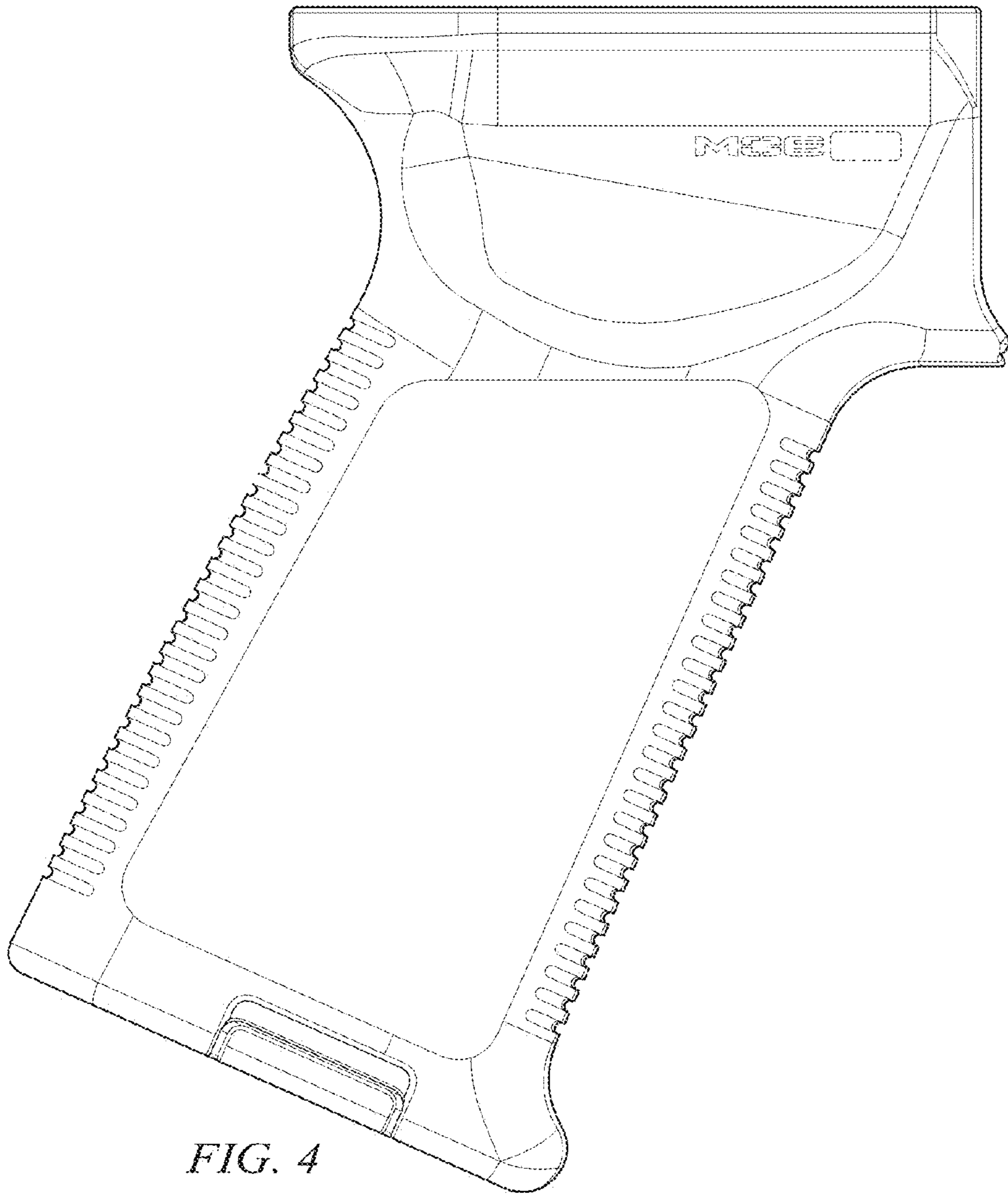


FIG. 4

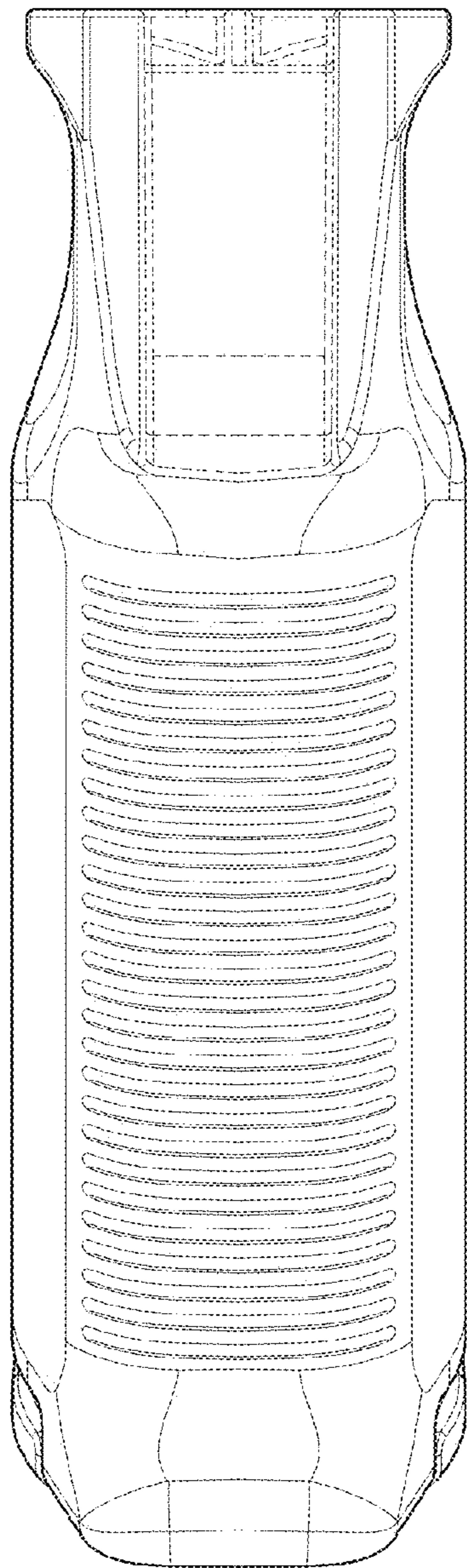


FIG. 5

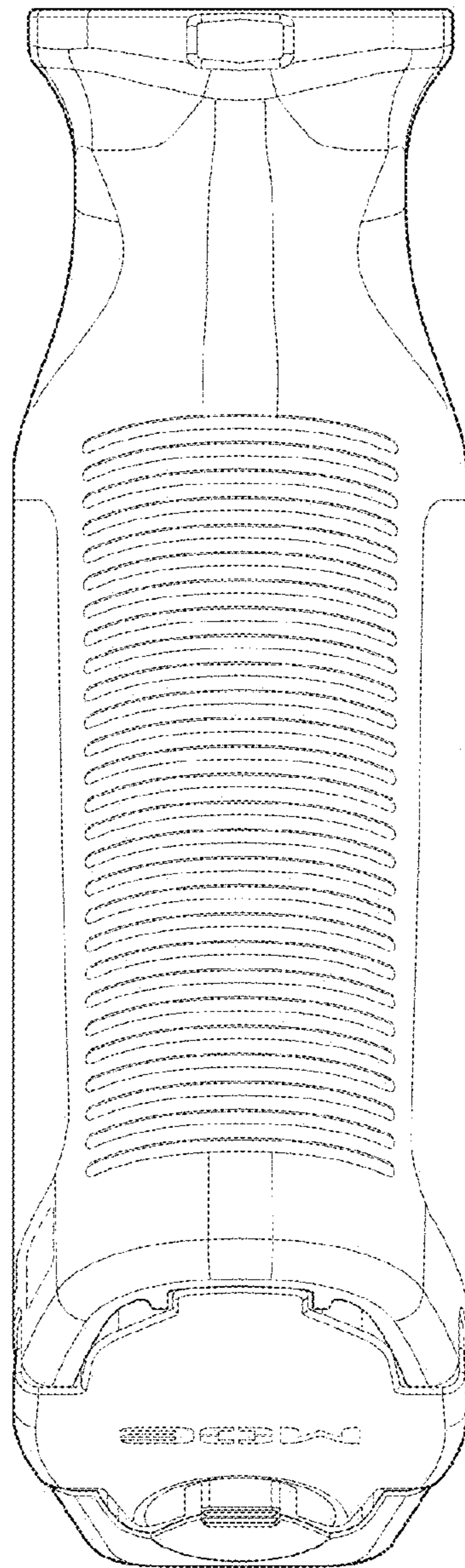


FIG. 6

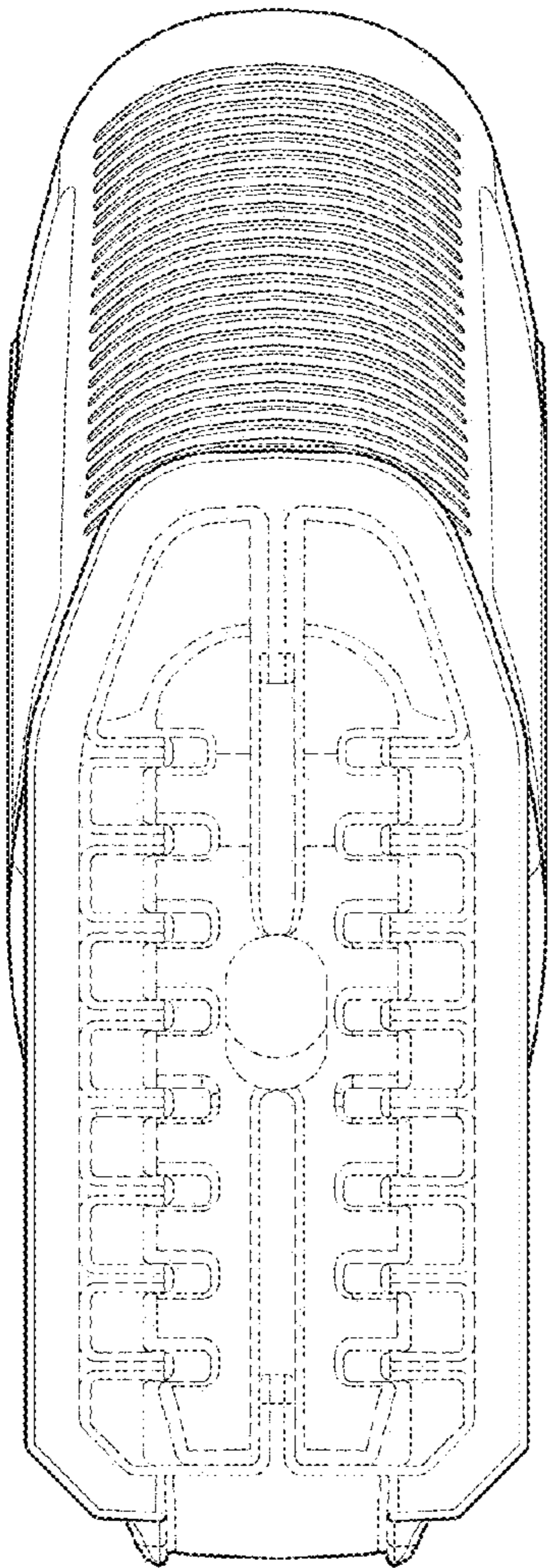


FIG. 7

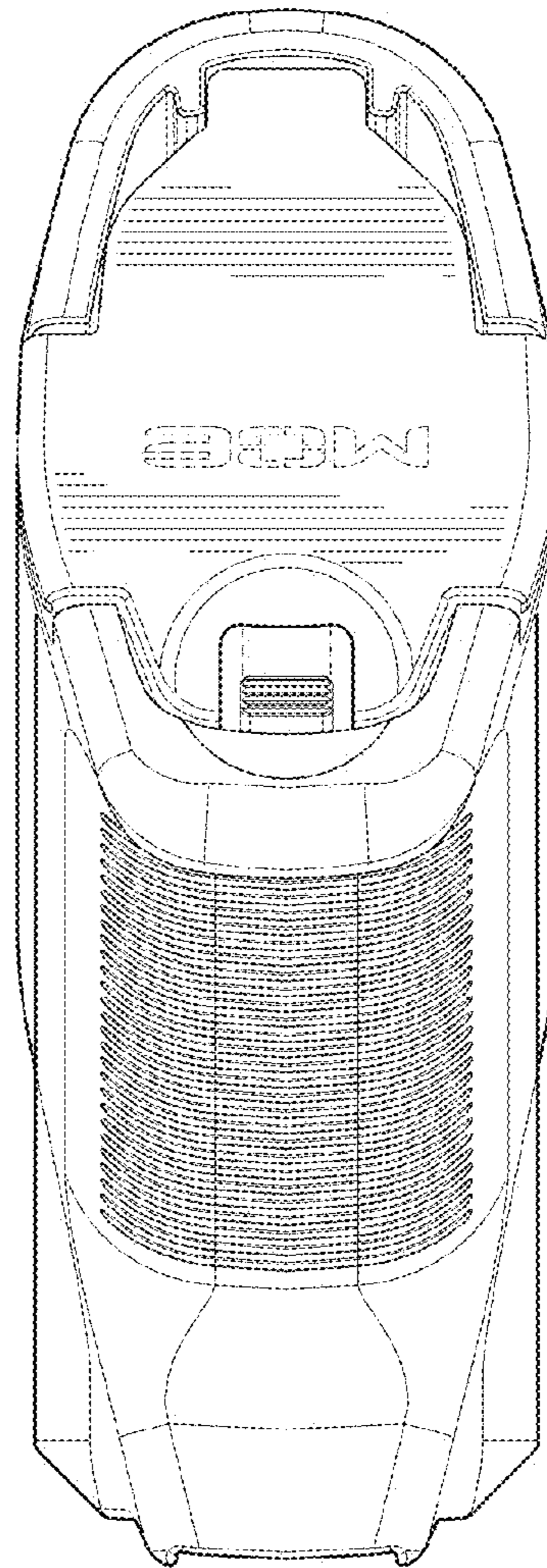


FIG. 8