



US00D706372S

(12) **United States Design Patent**  
**Day**

(10) **Patent No.:** **US D706,372 S**  
(45) **Date of Patent:** **\*\* Jun. 3, 2014**

(54) **SWIMMER'S TRAINING BUOY**  
(71) Applicant: **Lawrence J Day**, Grand Blanc, MI (US)  
(72) Inventor: **Lawrence J Day**, Grand Blanc, MI (US)

4,995,604 A \* 2/1991 Lynch et al. .... 482/55  
5,234,365 A \* 8/1993 Cooper et al. .... 441/11  
6,083,067 A \* 7/2000 McCredie ..... 441/129  
D672,420 S \* 12/2012 Rominger ..... D21/803

\* cited by examiner

(\*\*) Term: **14 Years**

*Primary Examiner* — George D Kirschbaum

(21) Appl. No.: **29/443,541**

(74) *Attorney, Agent, or Firm* — Young Basile Hanlon & MacFarlane P.C.

(22) Filed: **Jan. 18, 2013**

(57) **CLAIM**

(51) **LOC (10) Cl.** ..... **21-01**

The ornamental design for a swimmer's training buoy, as shown.

(52) **U.S. Cl.**  
USPC ..... **D21/803; D10/107**

**DESCRIPTION**

(58) **Field of Classification Search**  
USPC ..... D10/107; D21/678, 804; 441/60, 11,  
441/129; 482/55

FIG. 1 is a perspective view.

FIG. 2 is a top view.

FIG. 3 is a front elevational view.

FIG. 4 is a rear elevational view; and,

FIG. 5 is a side elevational view.

See application file for complete search history.

The broken line showing of containers is included for the purpose of illustrating portions of the "article" and forms no part of the claimed design.

(56) **References Cited**

**U.S. PATENT DOCUMENTS**

D231,405 S \* 4/1974 Buoy ..... D10/107  
D252,382 S \* 7/1979 Hutmacher ..... D10/107  
4,362,518 A \* 12/1982 Boissiere ..... 441/60

**1 Claim, 3 Drawing Sheets**

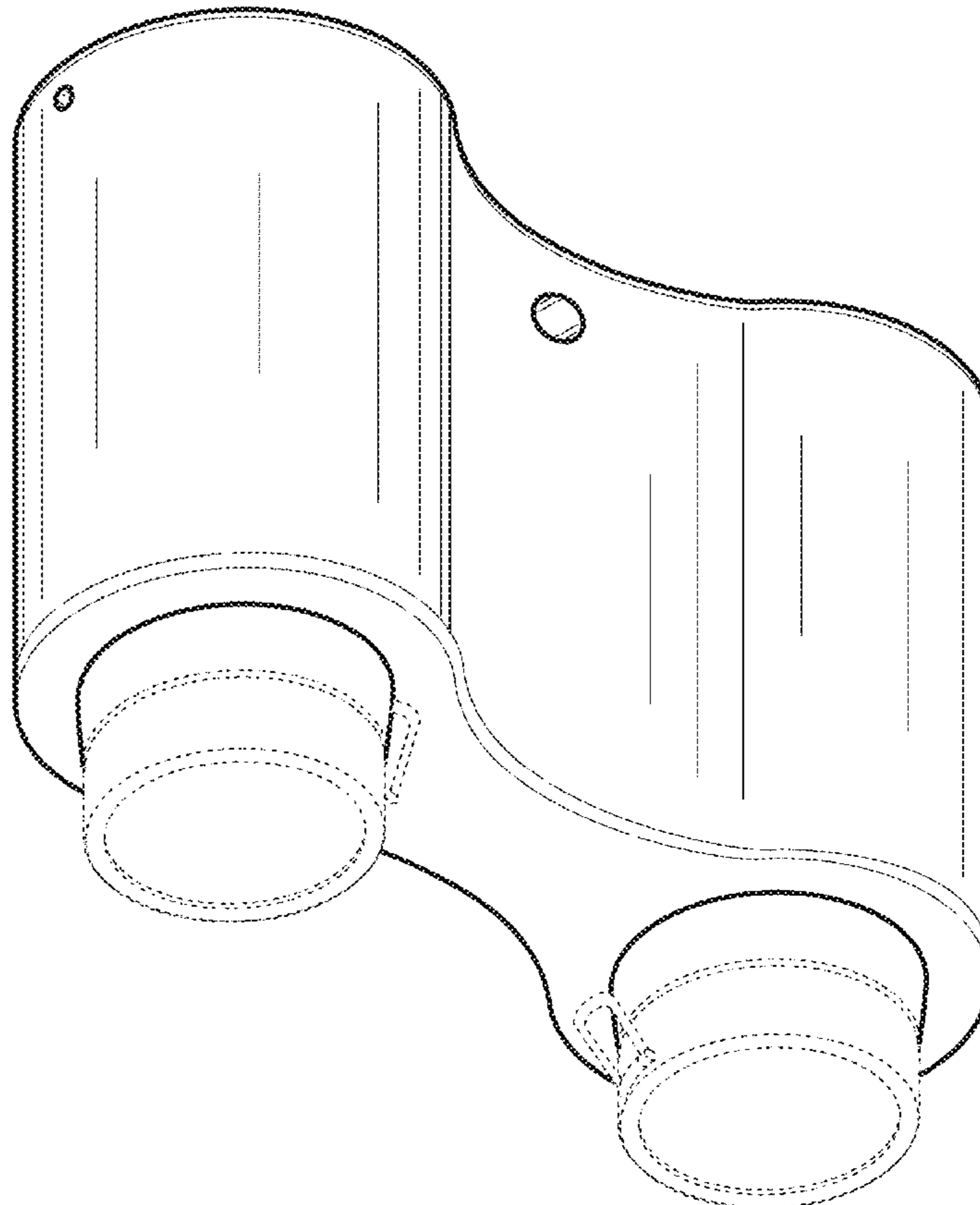
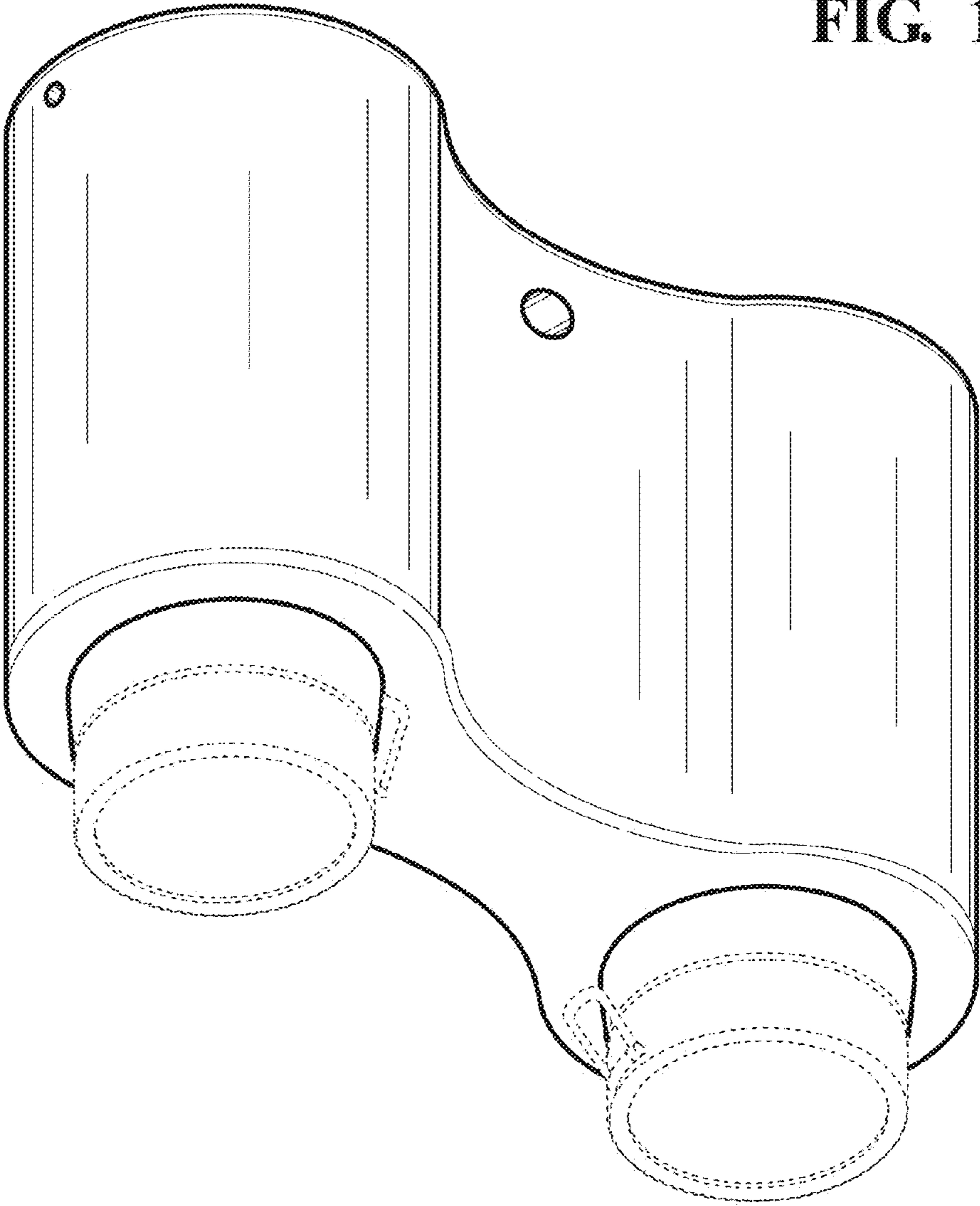
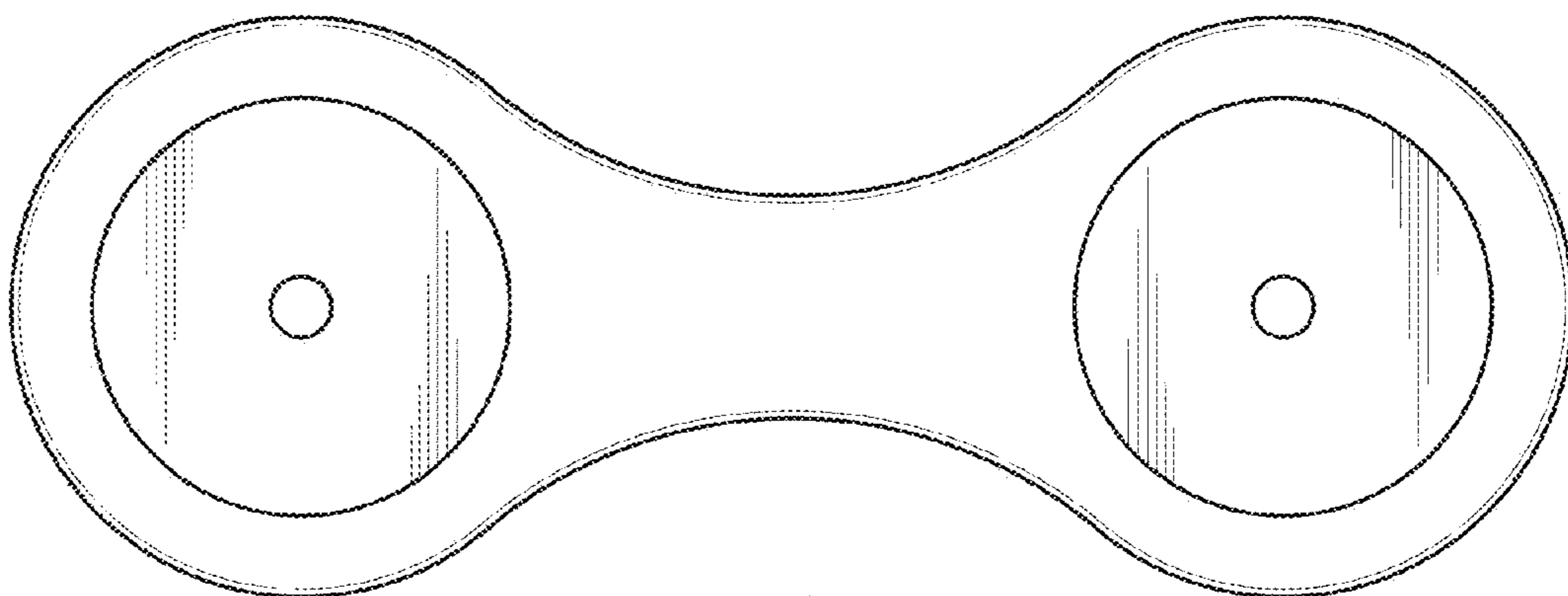
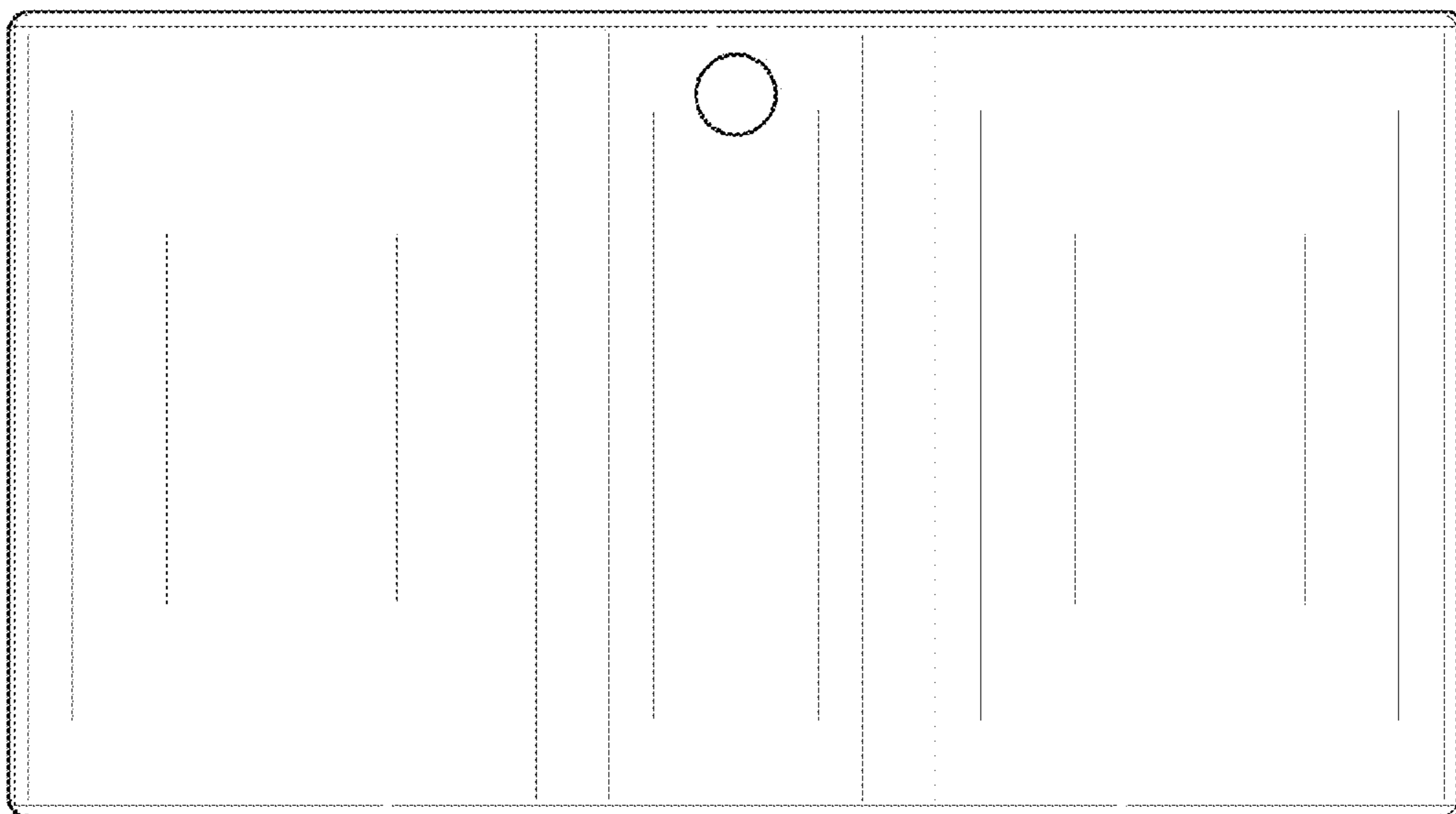


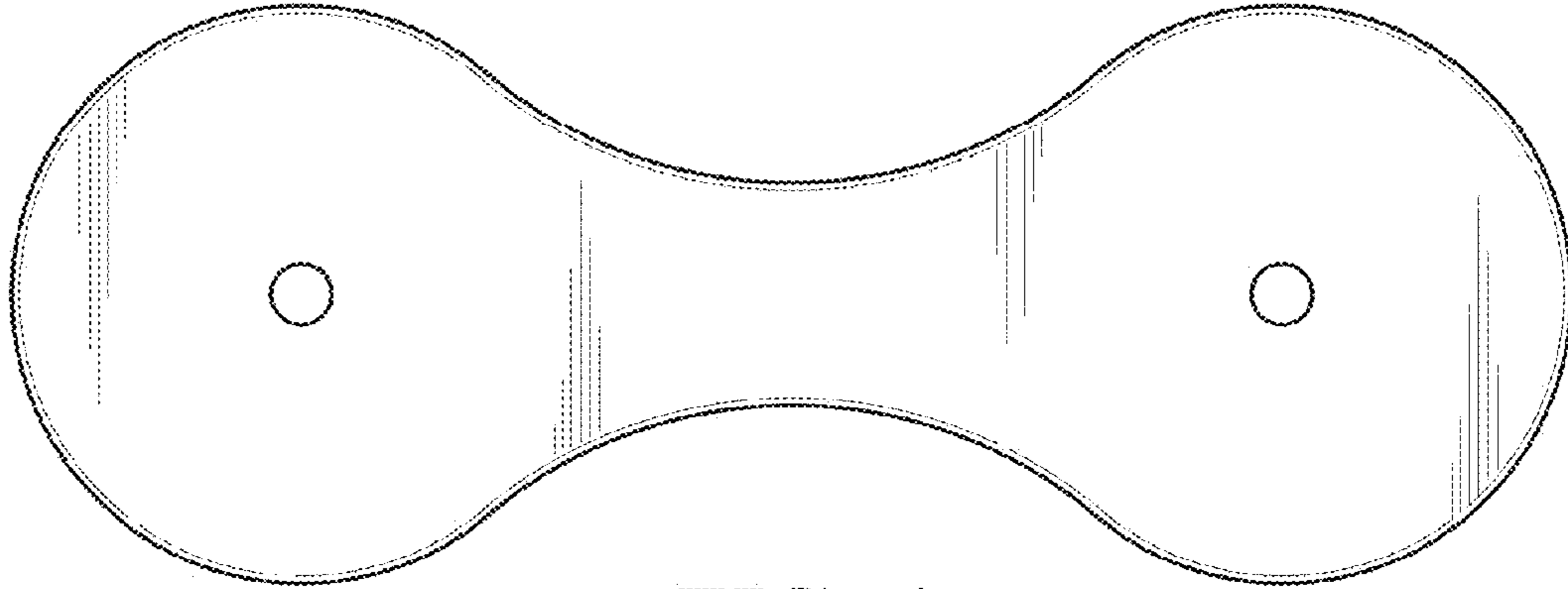
FIG. 1



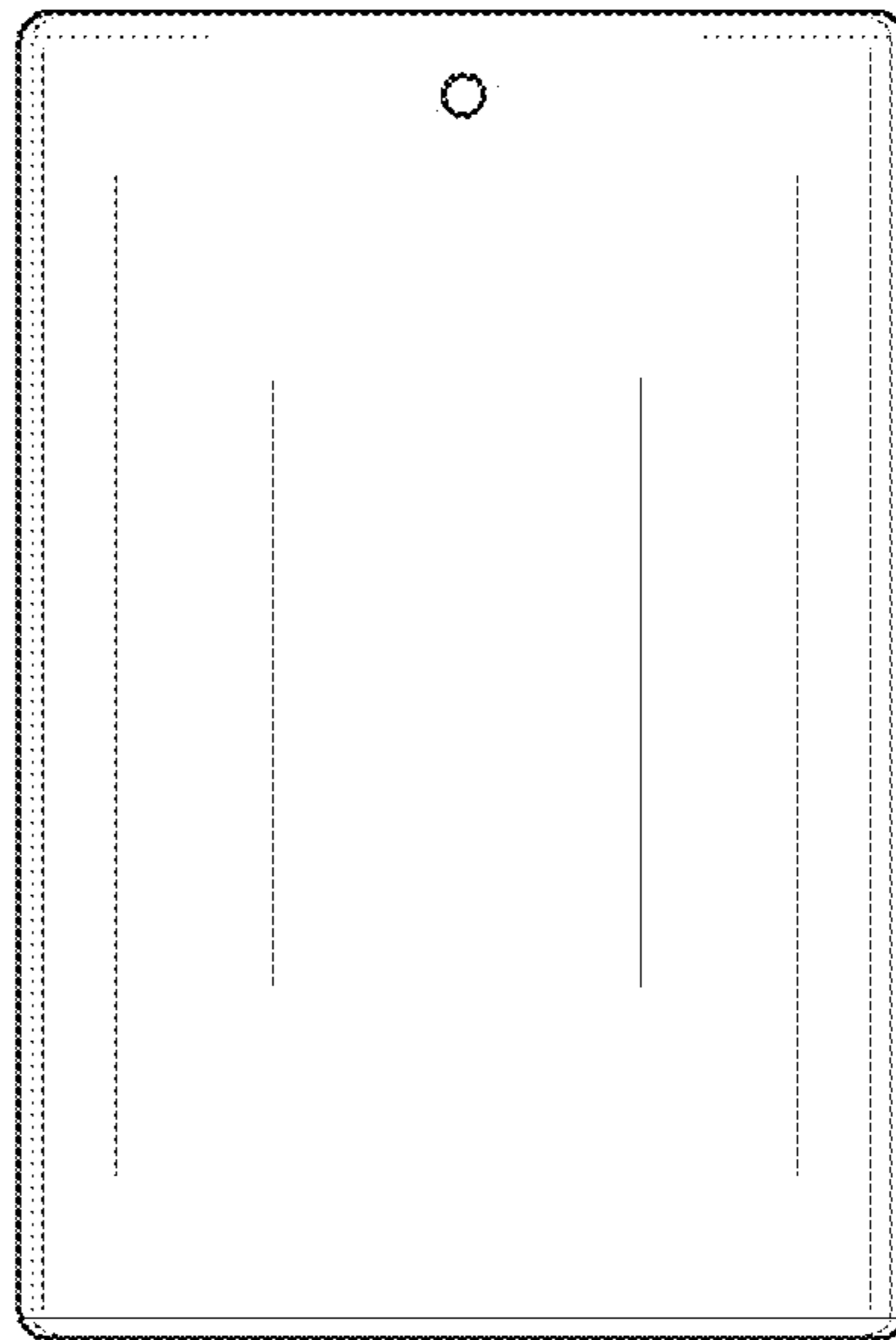
**FIG. 2**



**FIG. 3**



**FIG. 4**



**FIG. 5**