



US00D706371S

(12) **United States Design Patent**  
**Butler et al.**

(10) **Patent No.:** **US D706,371 S**  
(45) **Date of Patent:** **\*\* Jun. 3, 2014**

(54) **PUTTING AID**

(71) Applicant: **Greenactive Golf (Pty) Ltd**, Heriotdale (ZA)

(72) Inventors: **Lloyd Anthony Butler**, Heriotdale (ZA); **Ronald Charles Mathews**, Heriotdale (ZA); **Brian Steinhobel**, Heriotdale (ZA)

(73) Assignee: **Greenactive Golf (Pty) Ltd**, Heriotdale (ZA)

(\*\*) Term: **14 Years**

(21) Appl. No.: **29/443,989**

(22) Filed: **Jan. 24, 2013**

(51) **LOC (10) Cl.** ..... **21-02**

(52) **U.S. Cl.**  
USPC ..... **D21/791**

(58) **Field of Classification Search**  
USPC ..... D21/789, 791; 473/251-265, 278  
See application file for complete search history.

(56) **References Cited**

**U.S. PATENT DOCUMENTS**

D245,035 S \* 7/1977 Gordon ..... D21/790  
D353,646 S \* 12/1994 Arima ..... D21/791

D436,639 S \* 1/2001 Haliyo ..... D21/791  
D470,906 S \* 2/2003 Shaw ..... D21/791  
6,840,870 B1 \* 1/2005 Froggatte ..... 473/265  
7,273,417 B1 \* 9/2007 Lundquist ..... 473/265  
D600,299 S \* 9/2009 Hanley ..... D21/791  
D641,061 S \* 7/2011 Finau ..... D21/791  
D641,448 S \* 7/2011 Sessions ..... D21/791  
D646,739 S \* 10/2011 Forest ..... D21/791

\* cited by examiner

*Primary Examiner* — Mitchell Siegel

(74) *Attorney, Agent, or Firm* — Michael Best & Friedrich LLP

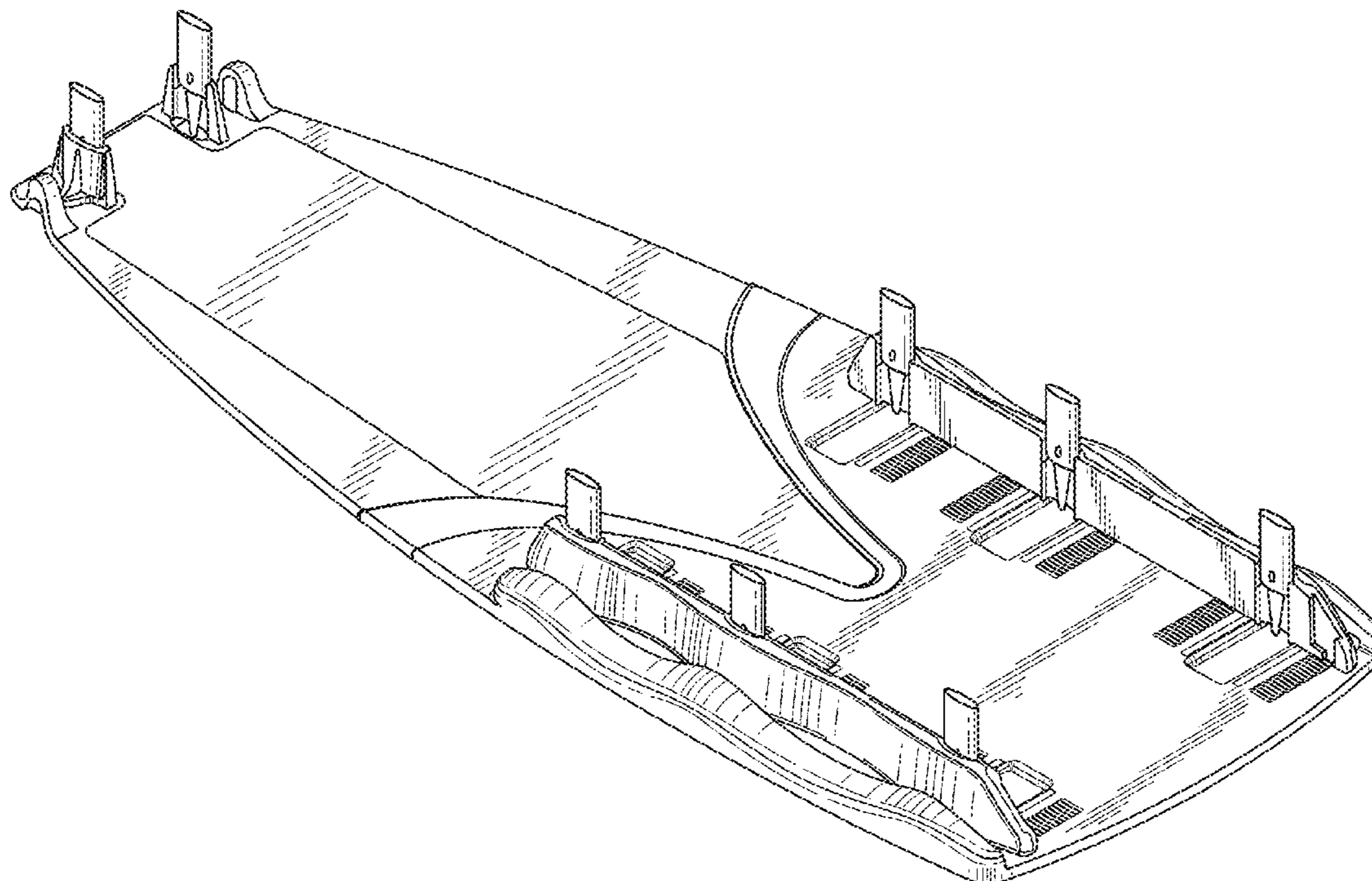
(57) **CLAIM**

The ornamental design of a putting aid, as shown and described.

**DESCRIPTION**

FIG. 1 is a perspective view of a putting aid according to the design,  
FIG. 2 is a plan view from above of the FIG. 1 putting aid,  
FIG. 3 is a side view of the FIG. 1 putting aid,  
FIG. 4 is a front view of the FIG. 1 putting aid,  
FIG. 5 is a plan view from below of the FIG. 1 putting aid,  
FIG. 6 is an opposite side view of the FIG. 1 putting aid; and,  
FIG. 7 is a back view of the FIG. 1 putting aid.

**1 Claim, 4 Drawing Sheets**



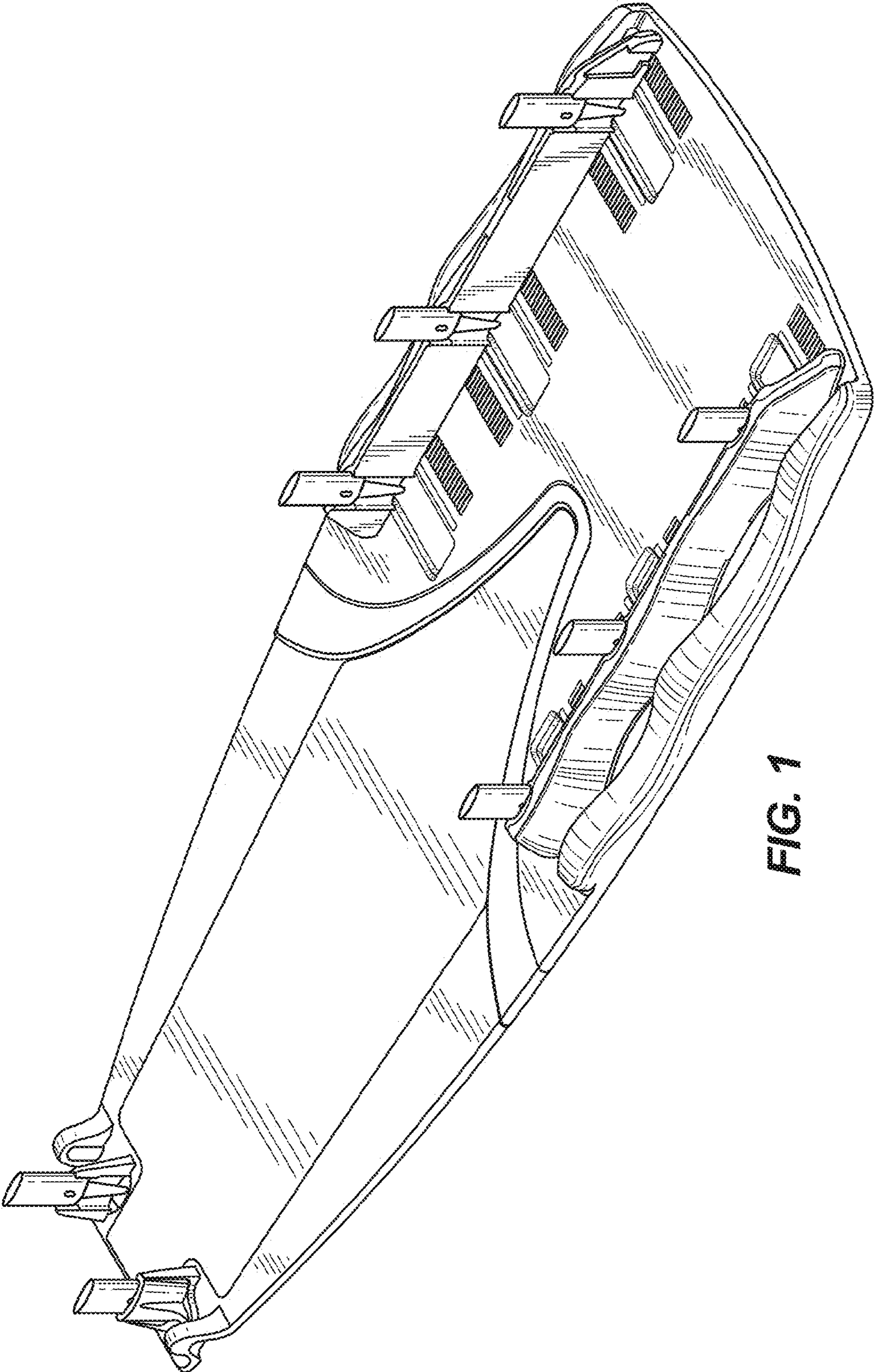


FIG. 1

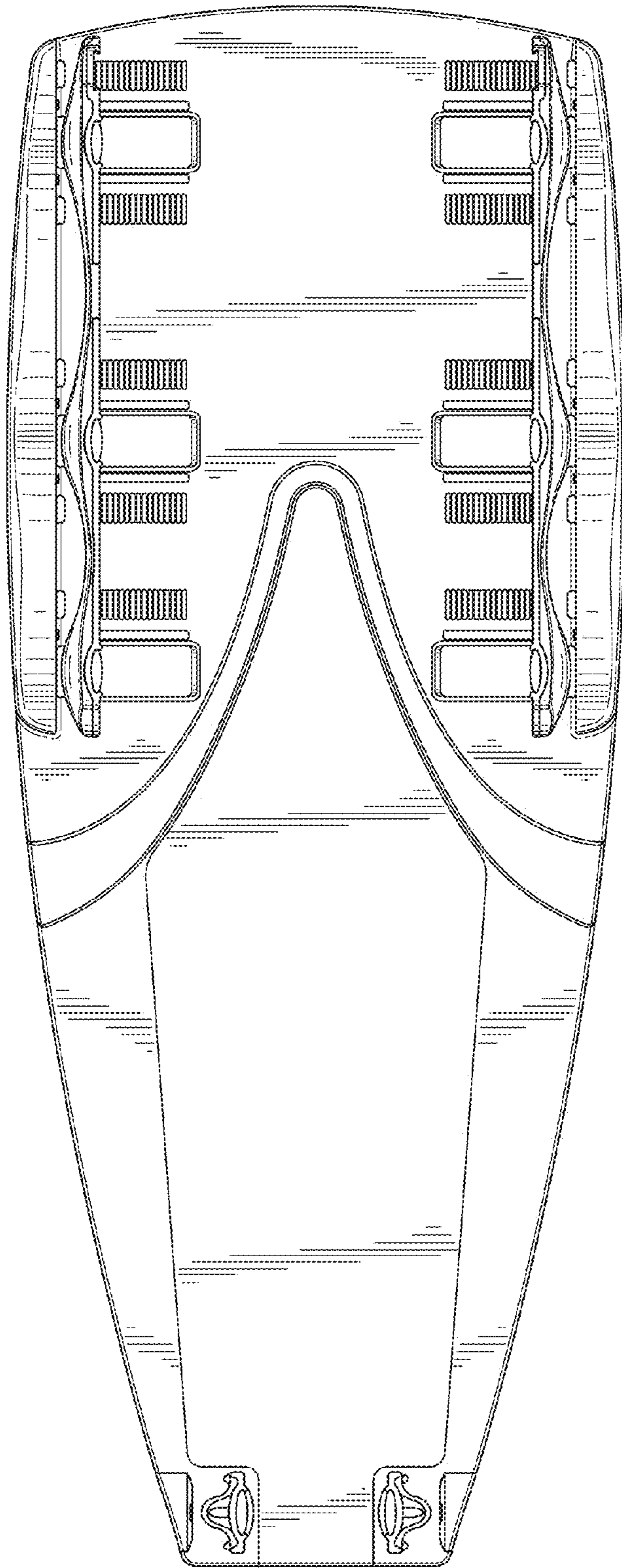


FIG. 2

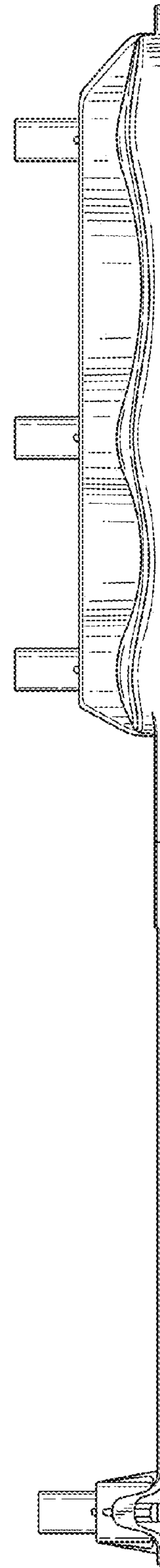


FIG. 3

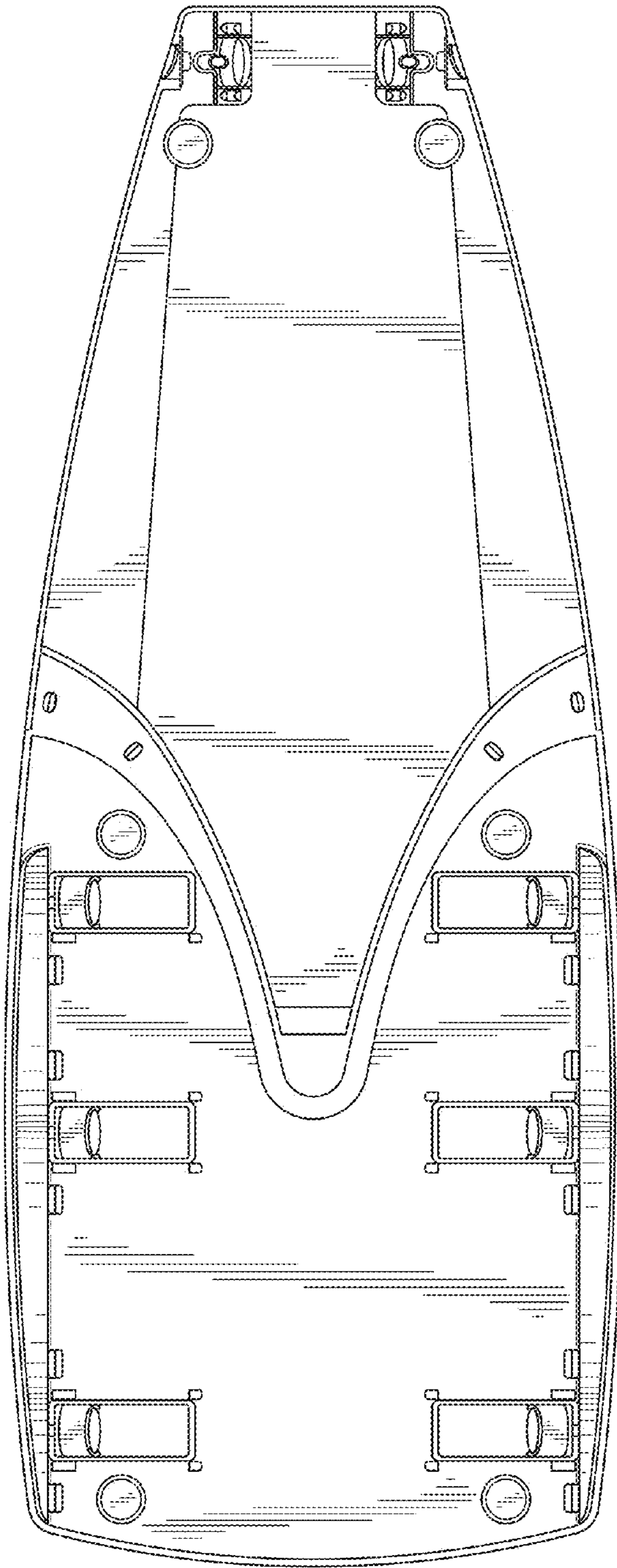


FIG. 5

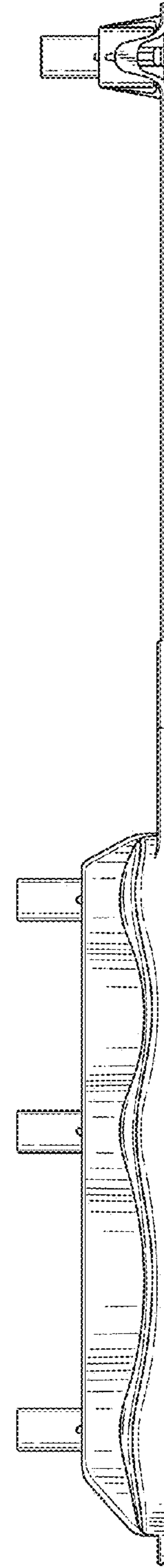
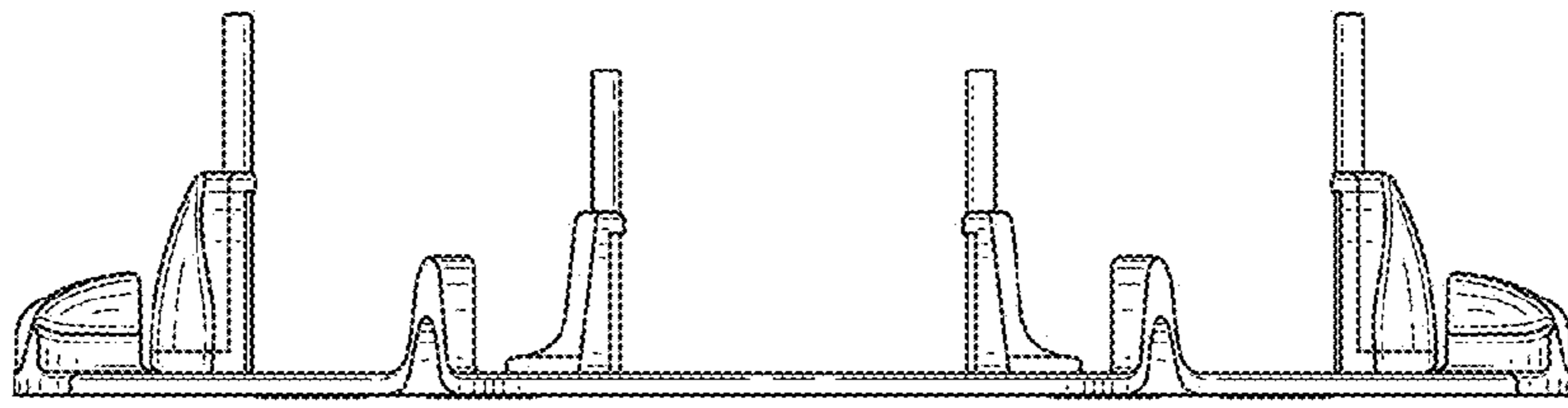
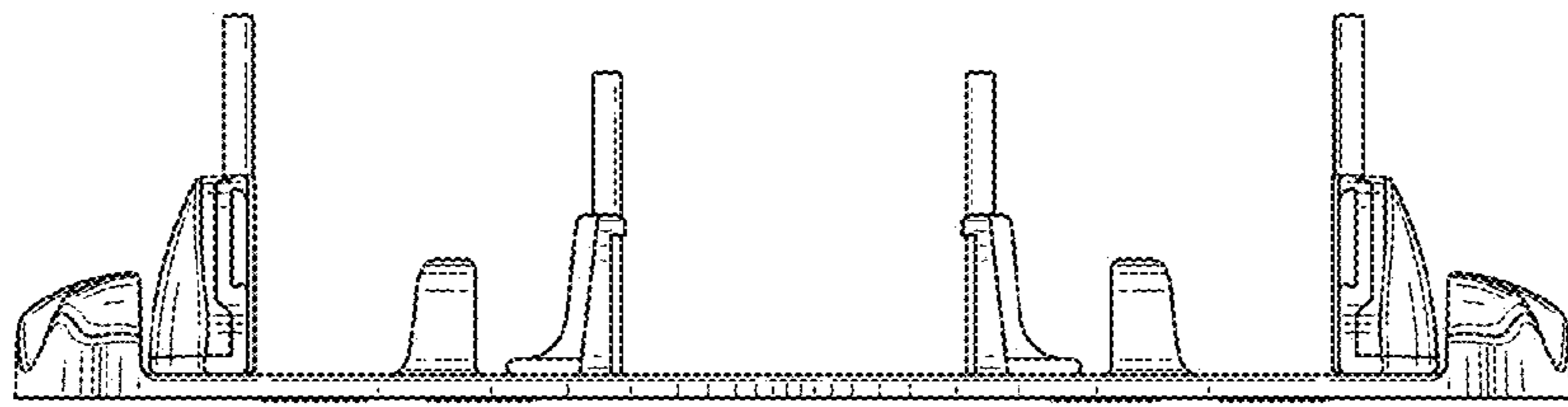


FIG. 6



**FIG. 4**



**FIG. 7**