



US00D706370S

(12) **United States Design Patent**
Byron

(10) **Patent No.:** **US D706,370 S**
(45) **Date of Patent:** **** Jun. 3, 2014**

- (54) **BOWLING WARM-UP AND TRAINING DEVICE**
- (71) Applicant: **Eileen's Bowling Buddy, LLC**, Denver, CO (US)
- (72) Inventor: **Rex William Byron**, Denver, CO (US)
- (73) Assignee: **Eileen's Bowling Buddy, LLC**, Denver, CO (US)
- (**) Term: **14 Years**
- (21) Appl. No.: **29/446,796**
- (22) Filed: **Feb. 27, 2013**
- (51) **LOC (10) Cl.** **21-01**
- (52) **U.S. Cl.**
USPC **D21/786; D21/753**
- (58) **Field of Classification Search**
USPC D21/782-784, 302, 300, 385, 621, 622, D21/627; 273/348, 148 R, 459; 473/54, 473/118-124
See application file for complete search history.

4,034,979 A	7/1977	Wester	
D245,429 S	8/1977	Arluck	
4,088,318 A	5/1978	Massman	
4,132,407 A	1/1979	Davis	
4,220,333 A	9/1980	Mercer	
4,333,647 A	6/1982	Schaefer	
4,367,872 A	1/1983	Langston	
4,377,282 A	3/1983	Hayes	
4,504,054 A	3/1985	Jackson et al.	
4,605,227 A	8/1986	Hurd et al.	
4,682,776 A	7/1987	Mitchell et al.	
4,696,468 A	9/1987	Dube	
4,729,565 A	3/1988	Lanning	
4,770,412 A *	9/1988	Wolfe	482/85
D299,915 S	2/1989	Ullman	
4,832,339 A *	5/1989	Danielak et al.	473/79
4,911,728 A	3/1990	Rigel	
4,925,187 A	5/1990	Fleenor et al.	
4,938,487 A	7/1990	Ponsart	
5,163,678 A	11/1992	Rogers	
5,222,733 A	6/1993	Brunty	
D337,180 S	7/1993	Bailey	
5,441,255 A	8/1995	Verbick	

(Continued)

Primary Examiner — Prabhakar Deshmukh
(74) *Attorney, Agent, or Firm* — Mark D. Trenner; Trenner Law Firm, LLC

(56) **References Cited**
U.S. PATENT DOCUMENTS

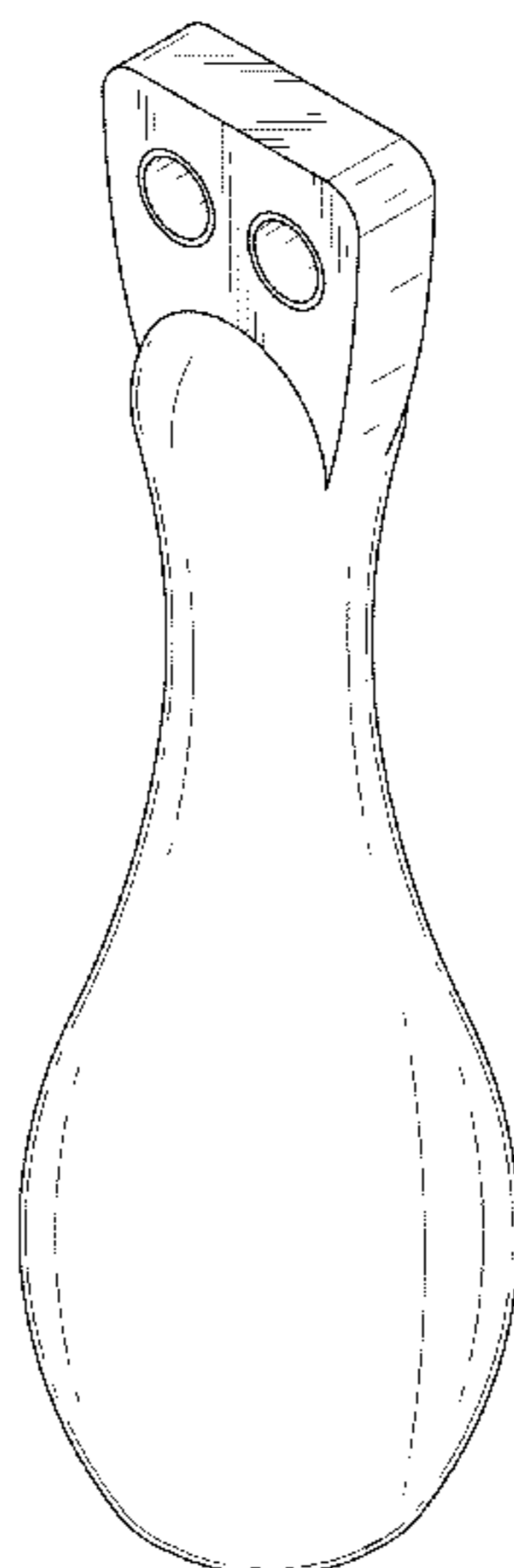
1,005,791 A	10/1911	Angell	
1,361,902 A	12/1920	Porteous	
D98,005 S *	12/1935	Kohaut	D21/786
2,321,524 A *	6/1943	Schafer	473/122
3,149,839 A	9/1964	Materia	
3,224,012 A	12/1965	Hamm	
3,398,951 A	8/1968	Disko	
3,563,545 A	2/1971	Rasche	
3,595,575 A	7/1971	Gooch	
3,649,013 A	3/1972	Foster	
3,756,594 A	9/1973	Goodwin	
3,770,270 A	11/1973	Ingold	
D238,192 S *	12/1975	Jennings	D21/786
3,975,015 A	8/1976	Owens et al.	

(57) **CLAIM**
The ornamental design for a bowling warm-up and training device, as shown and described.

DESCRIPTION

FIG. 1 is a perspective view of a bowling warm-up and training device showing my new design;
FIG. 2 is a front elevation view thereof, the rear elevation view being a mirror image thereof;
FIG. 3 is a left side elevation view thereof, the right side elevation view being a mirror image thereof;
FIG. 4 is a top plan view thereof; and,
FIG. 5 is a bottom plan view thereof.

1 Claim, 3 Drawing Sheets



(56)

References Cited

U.S. PATENT DOCUMENTS

5,472,206	A	12/1995	Manley et al.	7,431,657	B2	10/2008	Whitehead, II et al.
5,611,735	A	3/1997	Jackson	7,437,776	B1	10/2008	Brown
5,769,743	A	6/1998	Stephan et al.	7,582,030	B2	9/2009	LaPergola
5,839,124	A	11/1998	Tilton	7,658,681	B1	2/2010	Malecha
5,906,546	A	5/1999	Albert	7,789,763	B1	9/2010	Smith
D419,630	S *	1/2000	Albarelli, Jr.	D684,640	S *	6/2013	Chen D21/386
D430,083	S	8/2000	Spearin	D691,669	S *	10/2013	Chen D21/386
6,283,872	B1 *	9/2001	Lichodziejewski et al.	2004/0176225	A1	9/2004	Chen
6,656,056	B1	12/2003	Leonard	2005/0061905	A1	3/2005	Sherman
6,827,653	B2	12/2004	Be	2005/0193468	A1	9/2005	Chung
7,261,638	B2	8/2007	Davis et al.	2007/0135274	A1	6/2007	Blateri
7,264,553	B1	9/2007	Addington et al.	2008/0161120	A1	7/2008	Miller et al.
7,399,240	B2	7/2008	Paukert et al.	2009/0000002	A1	1/2009	Hadash
D578,169	S *	10/2008	Hamilton et al.	2009/0253527	A1	10/2009	Abraham
				2012/0065027	A1	3/2012	Zachary
				2013/0123072	A1	5/2013	Marji

* cited by examiner

FIG. 1

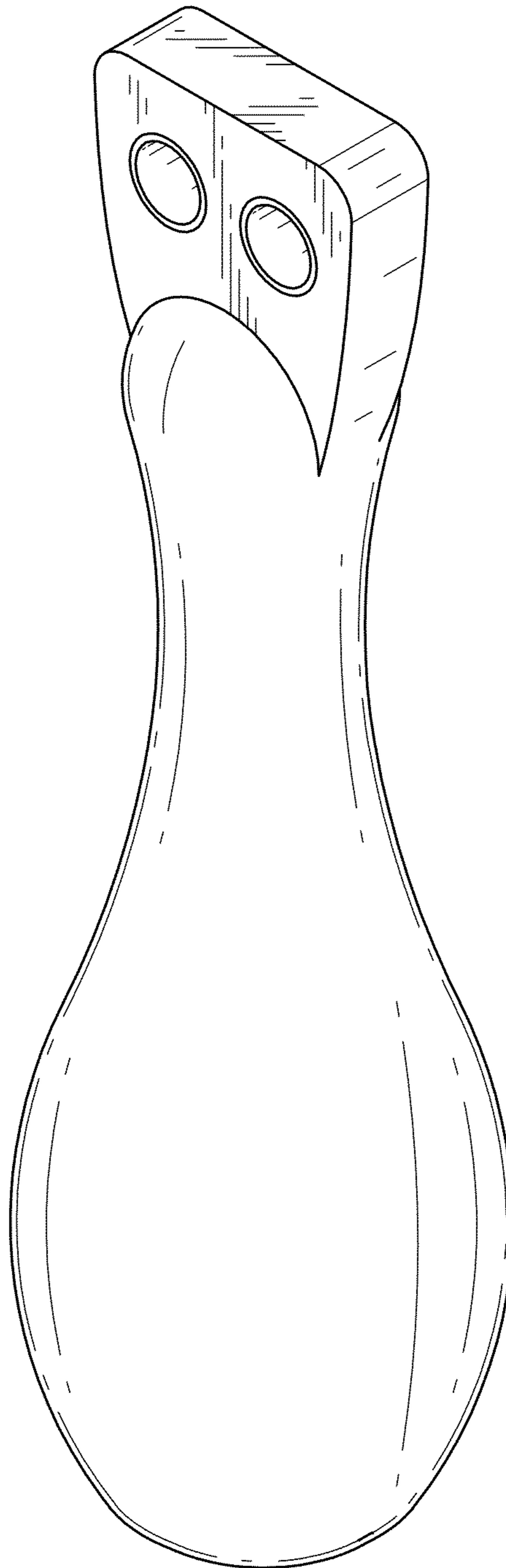


FIG. 2

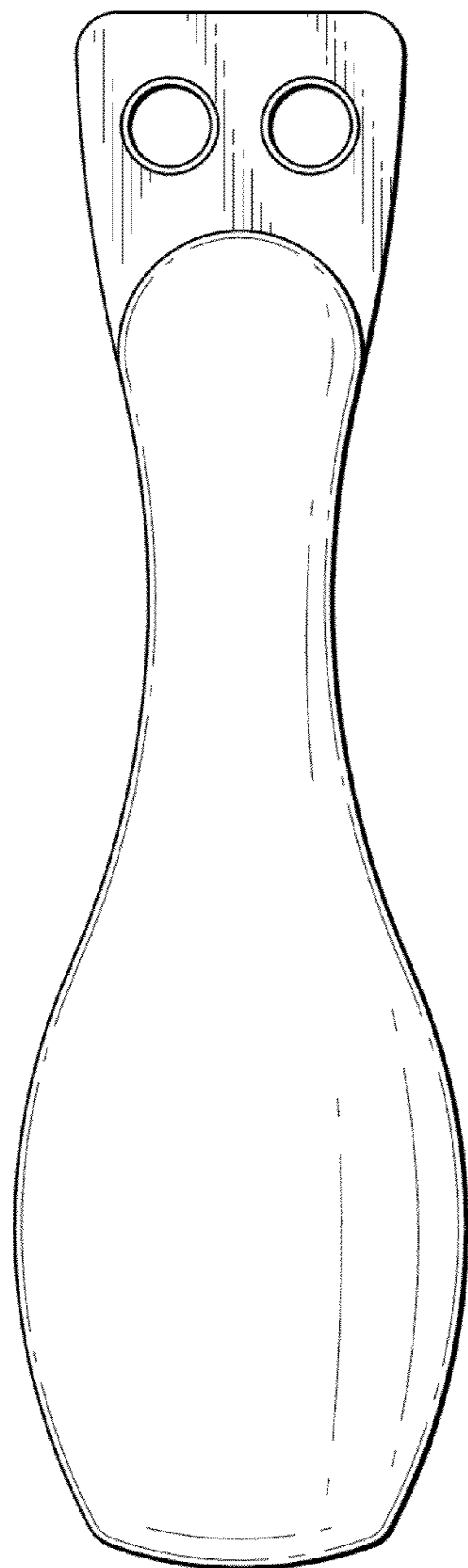


FIG. 3

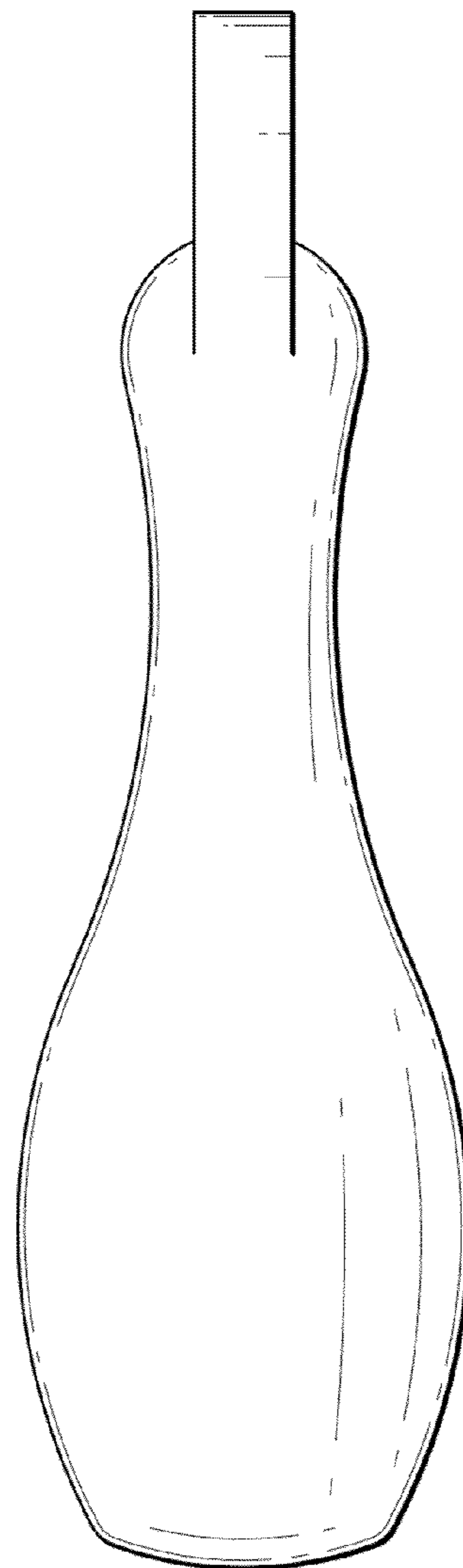


FIG. 4

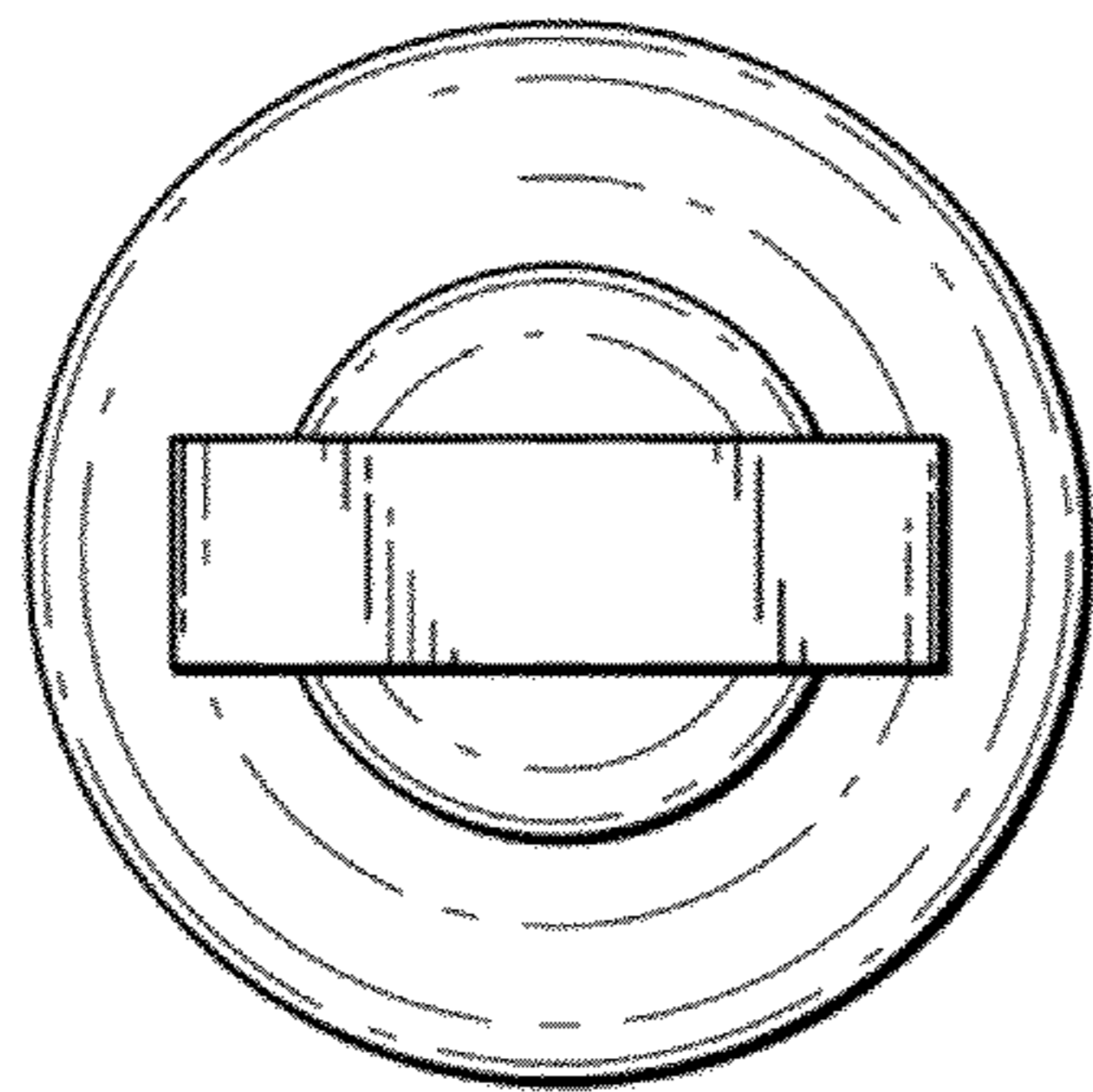


FIG. 5

