



US00D706365S

(12) **United States Design Patent**
Gunter

(10) **Patent No.:** **US D706,365 S**
(45) **Date of Patent:** **** Jun. 3, 2014**

(54) **TOY**
(71) Applicant: **Kids II, Inc.**, Atlanta, GA (US)
(72) Inventor: **Matthew Jay Gunter**, Atlanta, GA (US)
(73) Assignee: **Kids II, Inc.**, Atlanta, GA (US)
(**) Term: **14 Years**

D265,843 S * 8/1982 Tung D21/596
D437,367 S * 2/2001 Wang D21/596
D519,165 S * 4/2006 Lau D21/398
D535,337 S * 1/2007 Liu D21/360
D613,346 S * 4/2010 Hayes et al. D21/596

* cited by examiner

Primary Examiner — Sandra Morris

(74) *Attorney, Agent, or Firm* — Joseph W. Staley; Katherine D. Buchanan

(21) Appl. No.: **29/459,155**

(22) Filed: **Jun. 26, 2013**

(51) **LOC (10) Cl.** **21-01**

(52) **U.S. Cl.**
USPC **D21/596; D21/585; D21/398**

(58) **Field of Classification Search**
CPC A63H 3/00; A63H 3/02; A63H 11/00;
A63H 11/06; A63H 11/18
USPC D21/360, 398, 585, 587–588, 596;
446/72–73, 97–98, 268–269, 297, 369;
D6/598; D11/158, 160; D30/160
See application file for complete search history.

(56) **References Cited**

U.S. PATENT DOCUMENTS

D159,135 S * 6/1950 Blaich et al. D21/585

(57) **CLAIM**

The ornamental design for a toy, as shown and described.

DESCRIPTION

FIG. 1 is a perspective view of a toy embodying my new design.

FIG. 2 is a front elevation view of the toy of FIG. 1.

FIG. 3 is a right side elevation view of the toy of FIG. 1.

FIG. 4 is a left side elevation view of the toy of FIG. 1.

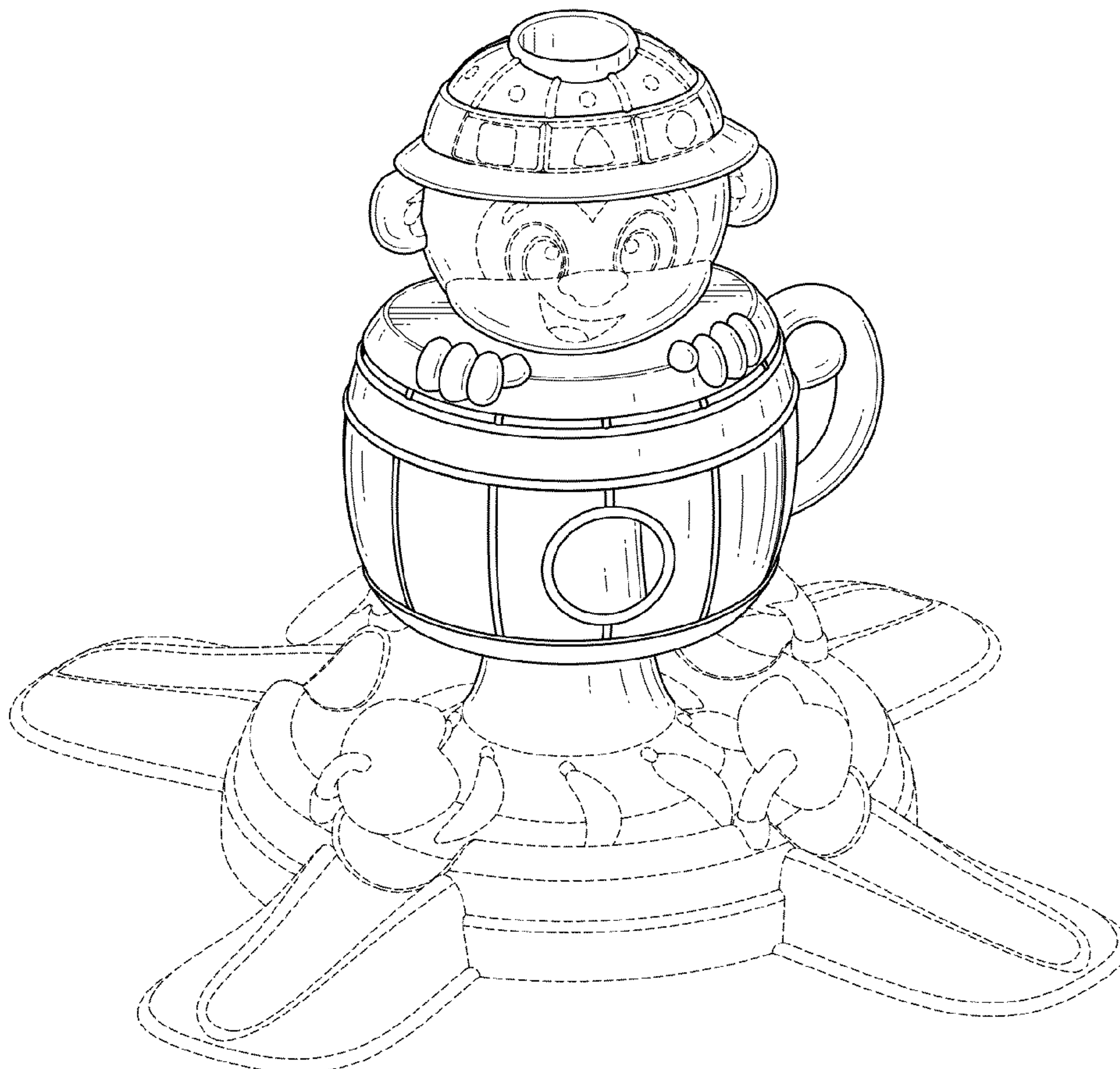
FIG. 5 is a back elevation view of the toy of FIG. 1; and,

FIG. 6 is a top plan view of the toy of FIG. 1.

The bottom is flat and forms no part of the claimed design.

Portions shown in broken lines are for illustrative purposes only and form no part of the claimed design.

1 Claim, 3 Drawing Sheets



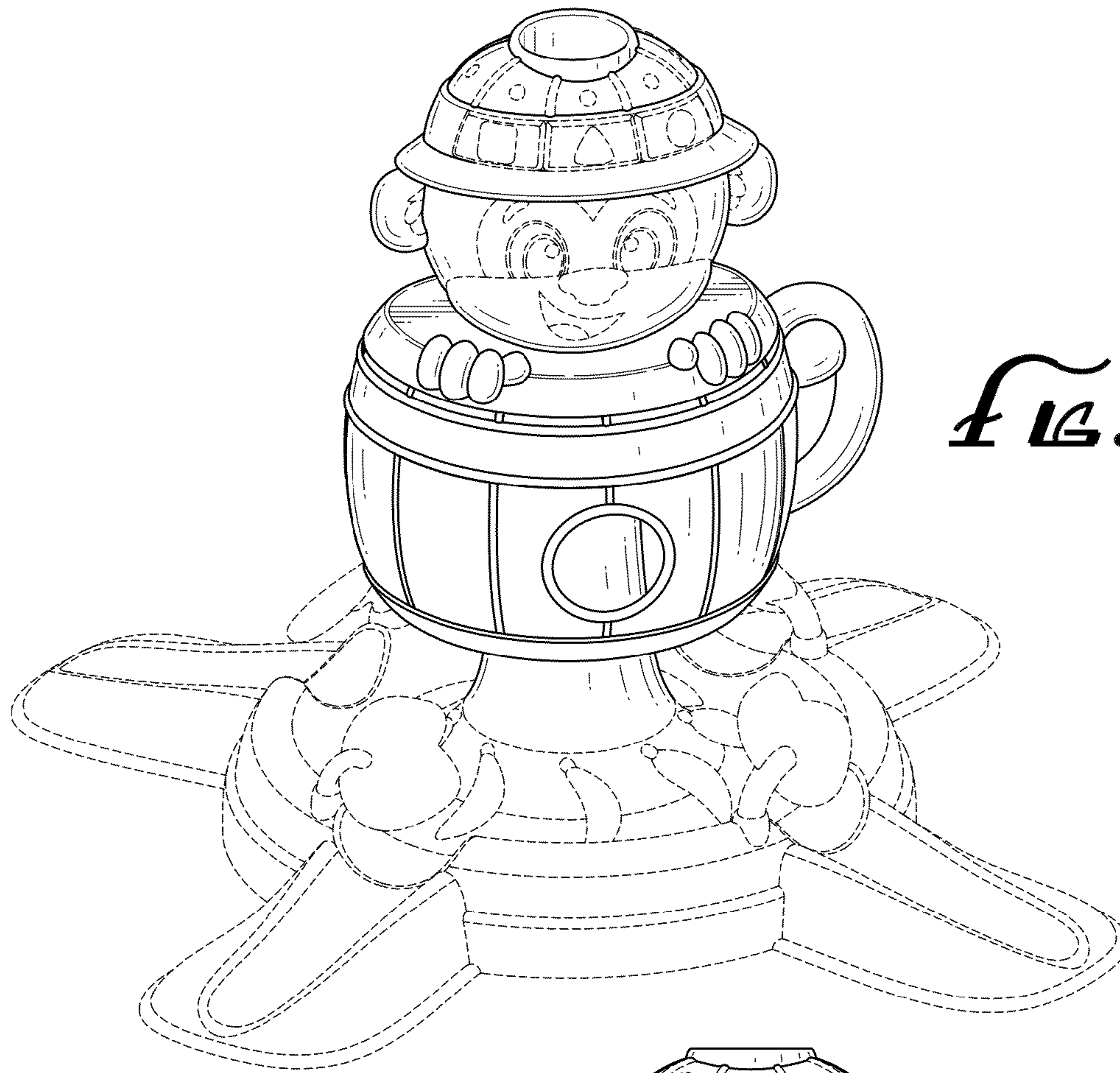
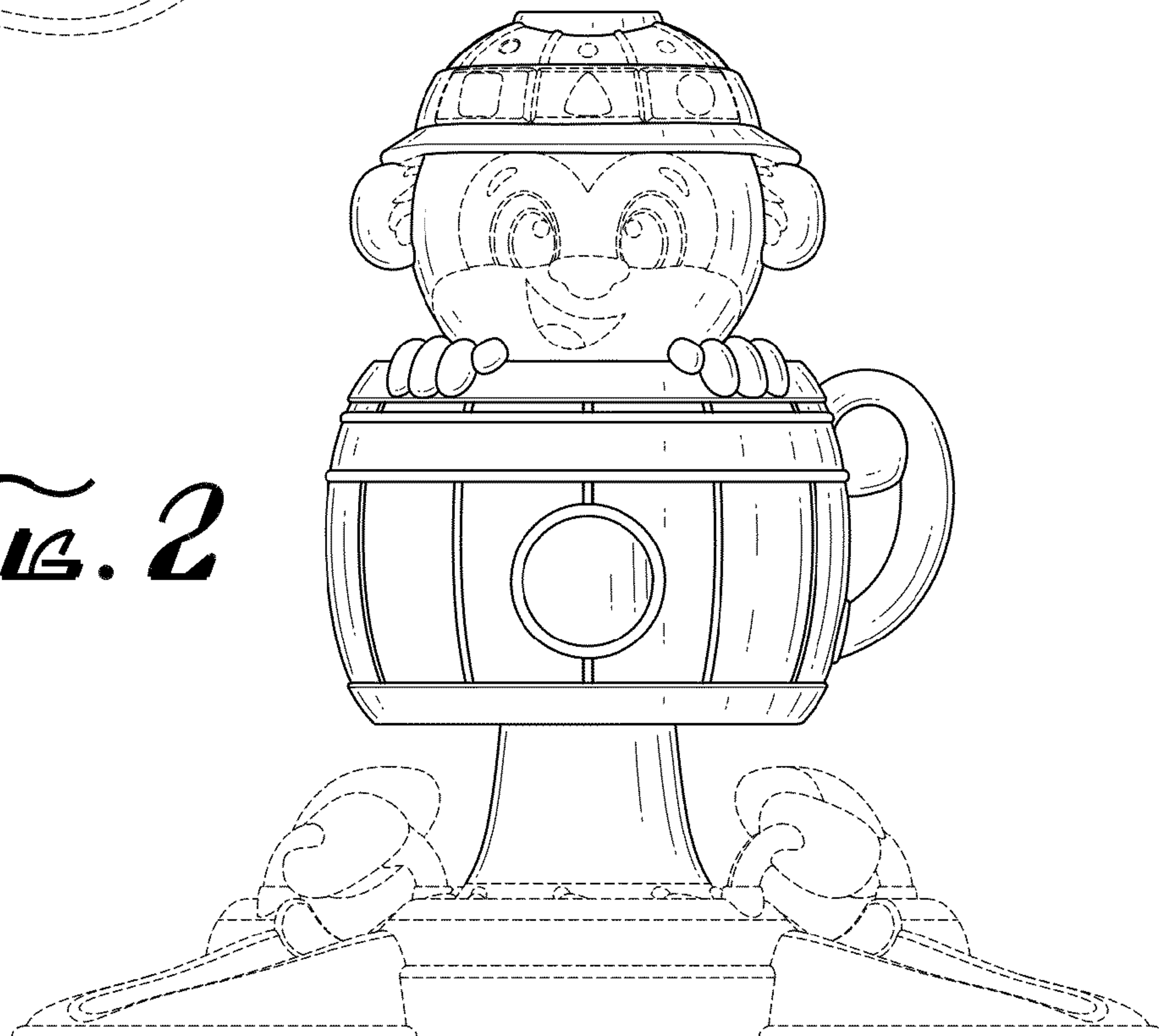


FIG. 1

FIG. 2



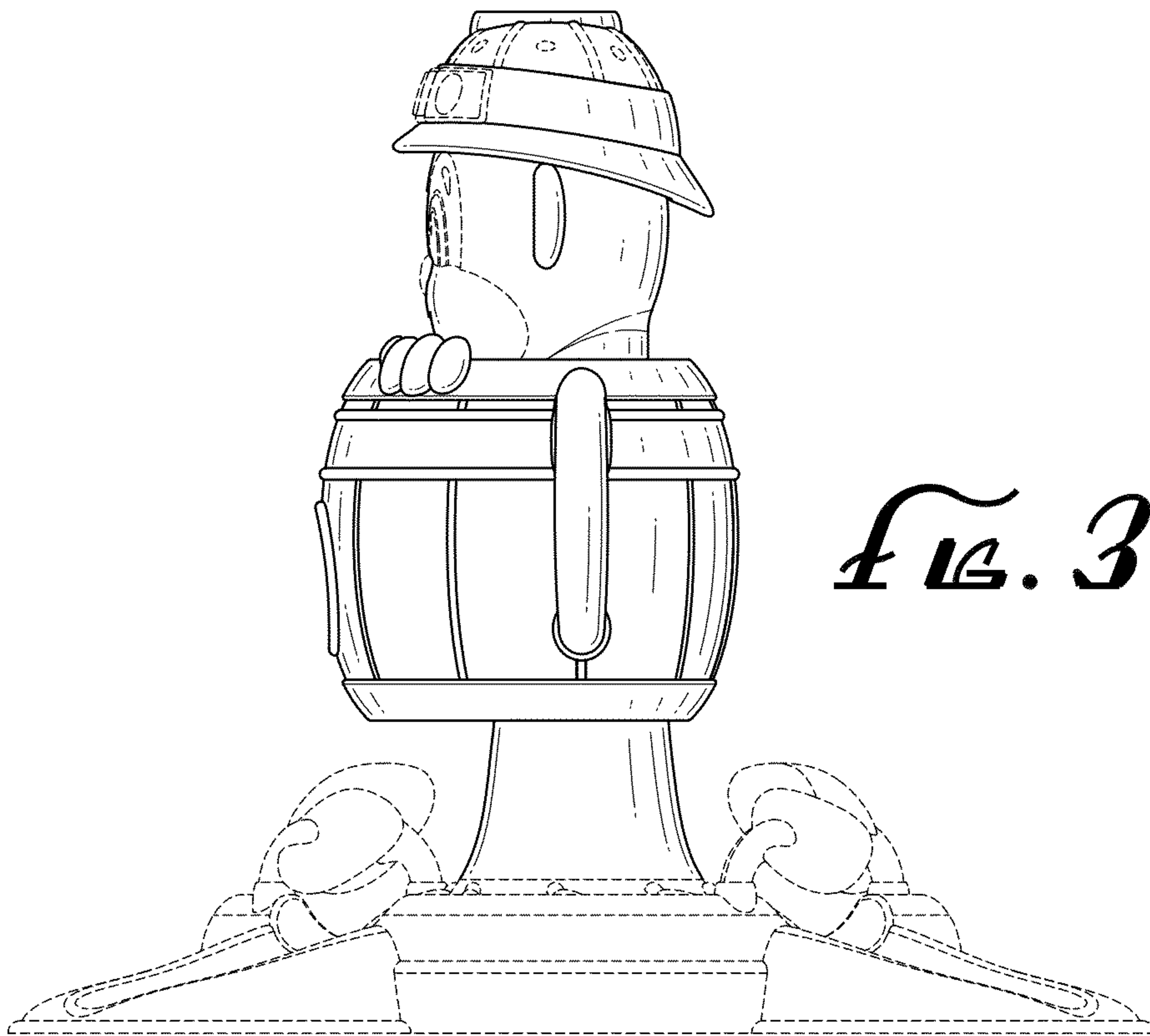


FIG. 3

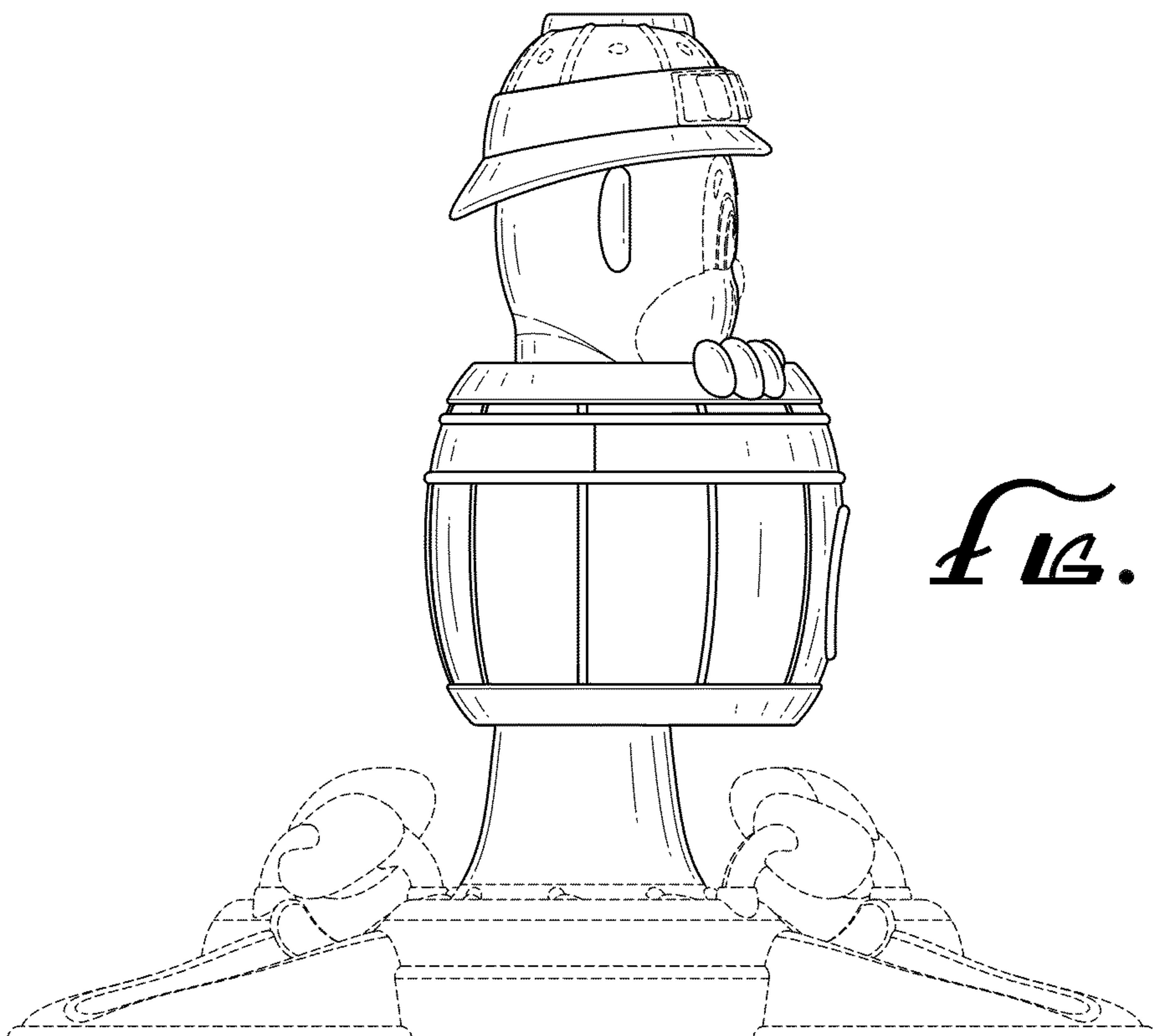


FIG. 4

