



US00D706364S

(12) **United States Design Patent**  
**Cherny**

(10) **Patent No.:** **US D706,364 S**  
(45) **Date of Patent:** **\*\* Jun. 3, 2014**

(54) **OUTDOOR VERSATILE COLLAPSIBLE TOY SET**

(76) Inventor: **Alina Cherny**, Brooklyn, NY (US)

(\*\*) Term: **14 Years**

(21) Appl. No.: **29/414,199**

(22) Filed: **Feb. 26, 2012**

(51) **LOC (10) Cl.** ..... **21-01**

(52) **U.S. Cl.**  
USPC ..... **D21/532**

(58) **Field of Classification Search**  
USPC ..... D21/532; D7/629, 543, 545, 505, 560;  
220/212, 522, 23.89, 52, 4.27, 735, 8;  
D9/717, 715, 436, 445, 444, 435;  
446/70, 479

See application file for complete search history.

(56) **References Cited**

U.S. PATENT DOCUMENTS

1,385,934	A *	7/1921	Viner	220/8
1,491,853	A *	4/1924	Foust	220/8
1,607,095	A *	11/1926	Miller	220/8
D272,456	S *	1/1984	Clanton	D21/532
5,261,560	A *	11/1993	Wang	220/735
D346,187	S *	4/1994	Kino	D21/532
5,415,309	A *	5/1995	Wang	220/4.27
D375,332	S *	11/1996	Kino	D21/532
D376,960	S *	12/1996	Ferris	D7/629
D395,928	S *	7/1998	Frelander	D21/532
D398,663	S *	9/1998	Frelander	D21/532
D488,031	S *	4/2004	Kim	D7/629
D510,503	S *	10/2005	Tollman	D7/505
D512,604	S *	12/2005	Panepinto	D7/505
H2217	H *	6/2008	Smay et al.	D9/503
D571,614	S *	6/2008	Curtin	D7/545
D582,218	S *	12/2008	Curtin	D7/629

(Continued)

*Primary Examiner* — Cathron Brooks  
*Assistant Examiner* — Sydney R Buffalow

(74) *Attorney, Agent, or Firm* — Oleg A. Mestechkin

(57) **CLAIM**

The ornamental design for an outdoor versatile collapsible toy set, as shown and described.

**DESCRIPTION**

FIG. 1 is an isometric view of all components of the assembly and the order of combining thereof, the components of the assembly comprising a collapsible bucket, a collapsible water sprinkler, a rack-n-shovel set, and a Frisbee serving as a snap-on top;

FIG. 2 is a side view of the complete assembly;

FIG. 3 is an isometric view of the complete assembly;

FIG. 4 is an isometric view of the rake-n-shovel assembly in its folded position;

FIG. 5 is an isometric view of the rake-n-shovel assembly in its slightly unfolded position;

FIG. 6 is a side view of the bucket assembly in its extended position;

FIG. 7 is a magnified and detailed view of the locking mechanism for the bucket assembly to ensure a secure locking of said assembly in collapsed and extended positions;

FIG. 8 is a side view of the bucket assembly in its collapsed position;

FIG. 9a is a top view of the collapsible water sprinkler;

FIG. 9b is a side view of the water sprinkler in its extended position;

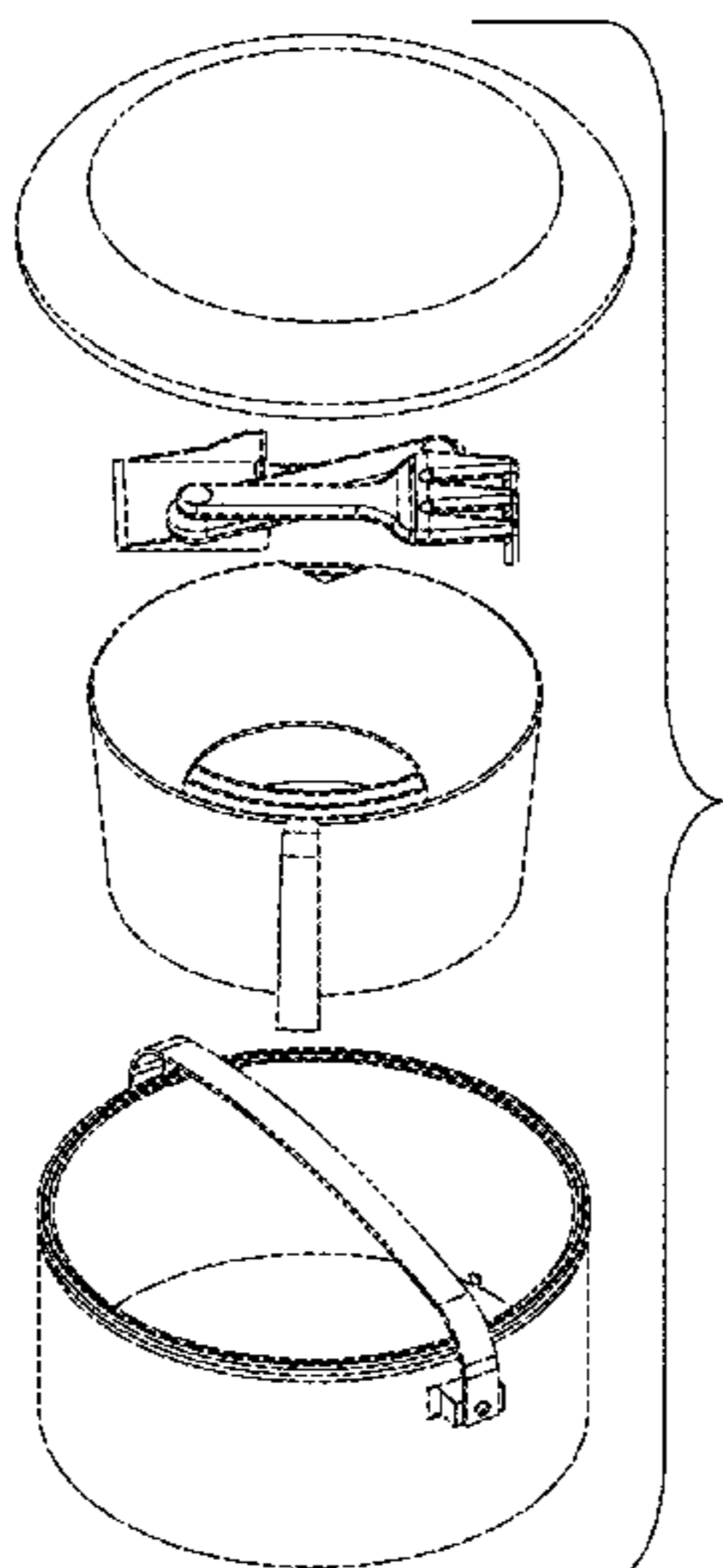
FIG. 10 is an isometric view of the water sprinkler in its extended position;

FIG. 11 is a side view of the water sprinkler in its collapsed position; and,

FIG. 12 is an isometric view of the water sprinkler in its collapsed position.

The design of the bucket and the water sprinkler assembly has a flat bottom that is unornamented and a view thereof is omitted from the specification. The subject matter shown in broken line represents unclaimed environmental structure which is shown for illustrative purposes and forms no part of the claimed design.

**1 Claim, 4 Drawing Sheets**



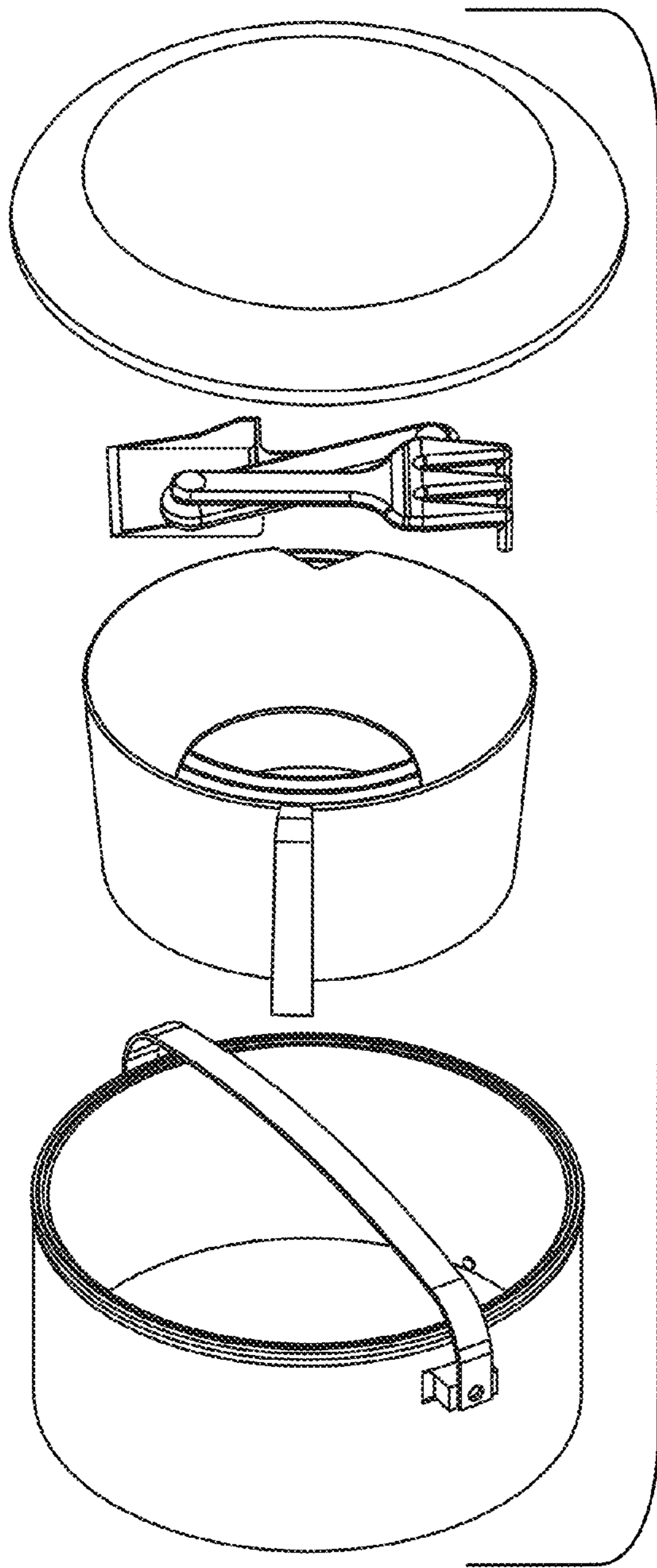
(56)

**References Cited**

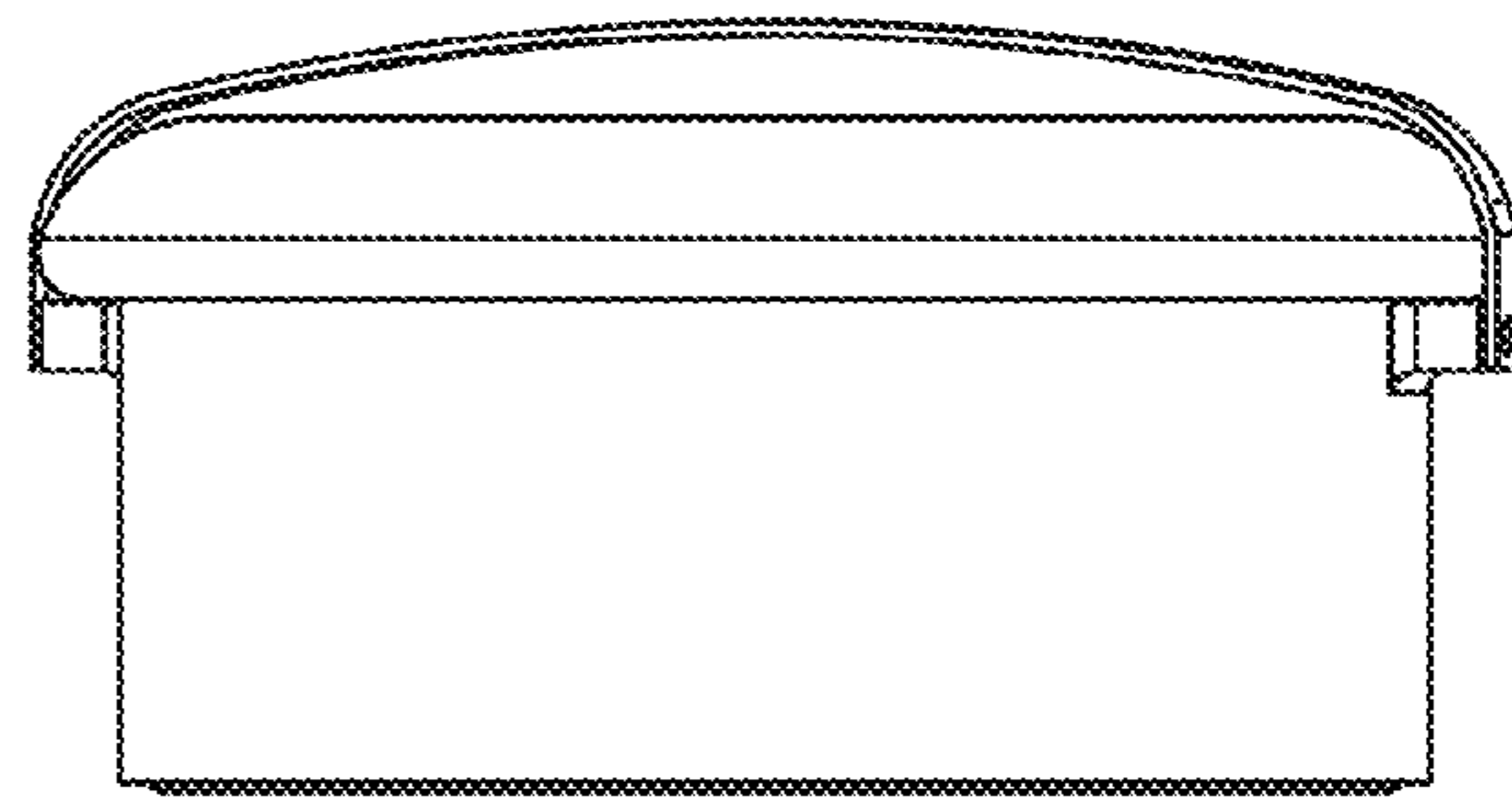
U.S. PATENT DOCUMENTS

D584,110 S *	1/2009	Hauser .....	D7/629	D630,905 S *	1/2011	Cornu et al. ....	D7/629
D604,120 S *	11/2009	Curtin .....	D7/629	D643,694 S *	8/2011	Lu .....	D7/629
D612,692 S *	3/2010	Menceles .....	D7/643	D645,705 S *	9/2011	Shamoon .....	D7/543
7,823,743 B2 *	11/2010	McKahan et al. ....	220/521	D652,265 S *	1/2012	Lindsay et al. ....	D7/629
D630,475 S *	1/2011	Lu .....	D7/629	D657,204 S *	4/2012	Seehoff et al. ....	D7/629
				D666,461 S *	9/2012	Siegel .....	D7/629
				8,313,001 B1 *	11/2012	Reid et al. ....	220/212
				2004/0035867 A1 *	2/2004	Schultz et al. ....	220/212

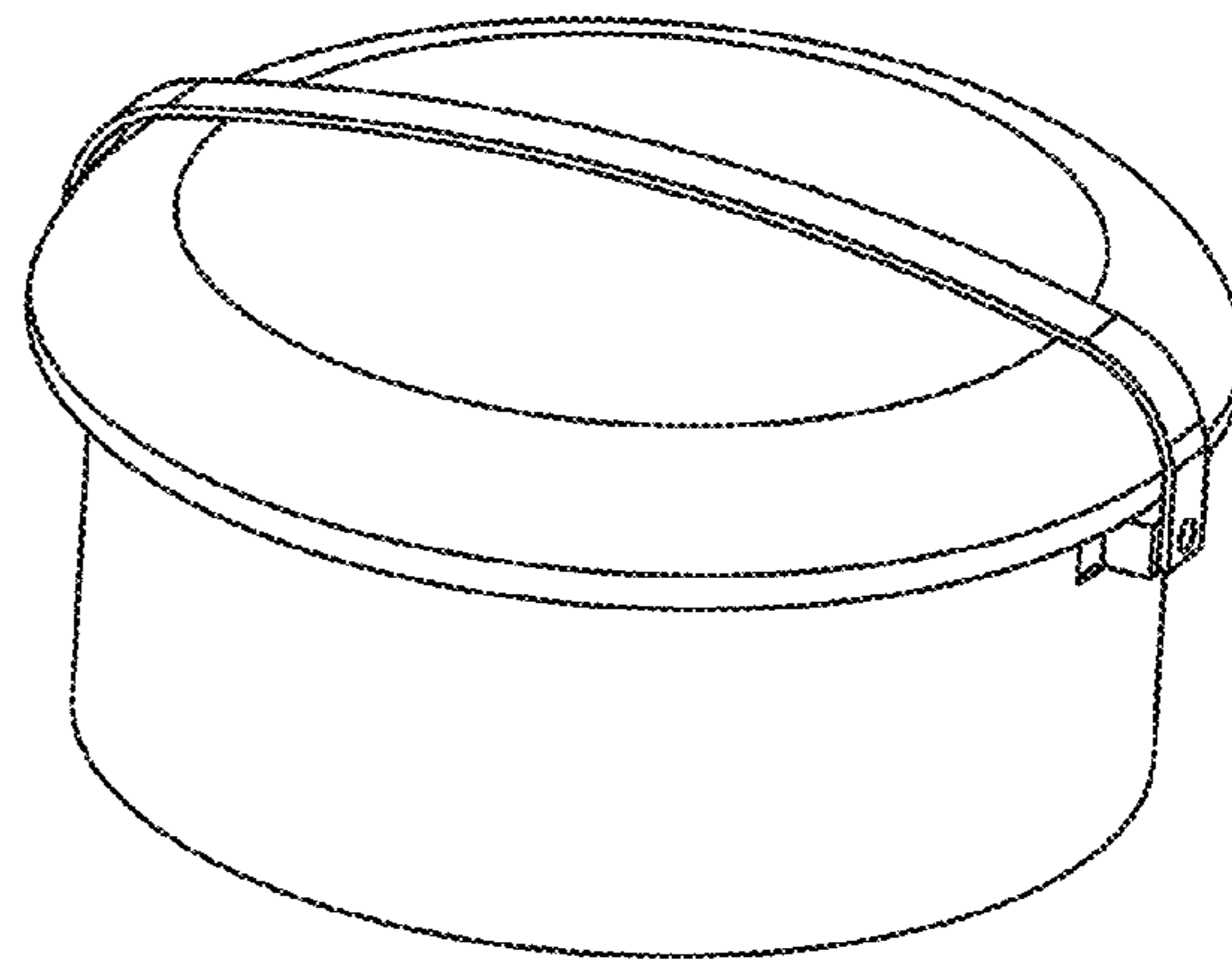
\* cited by examiner



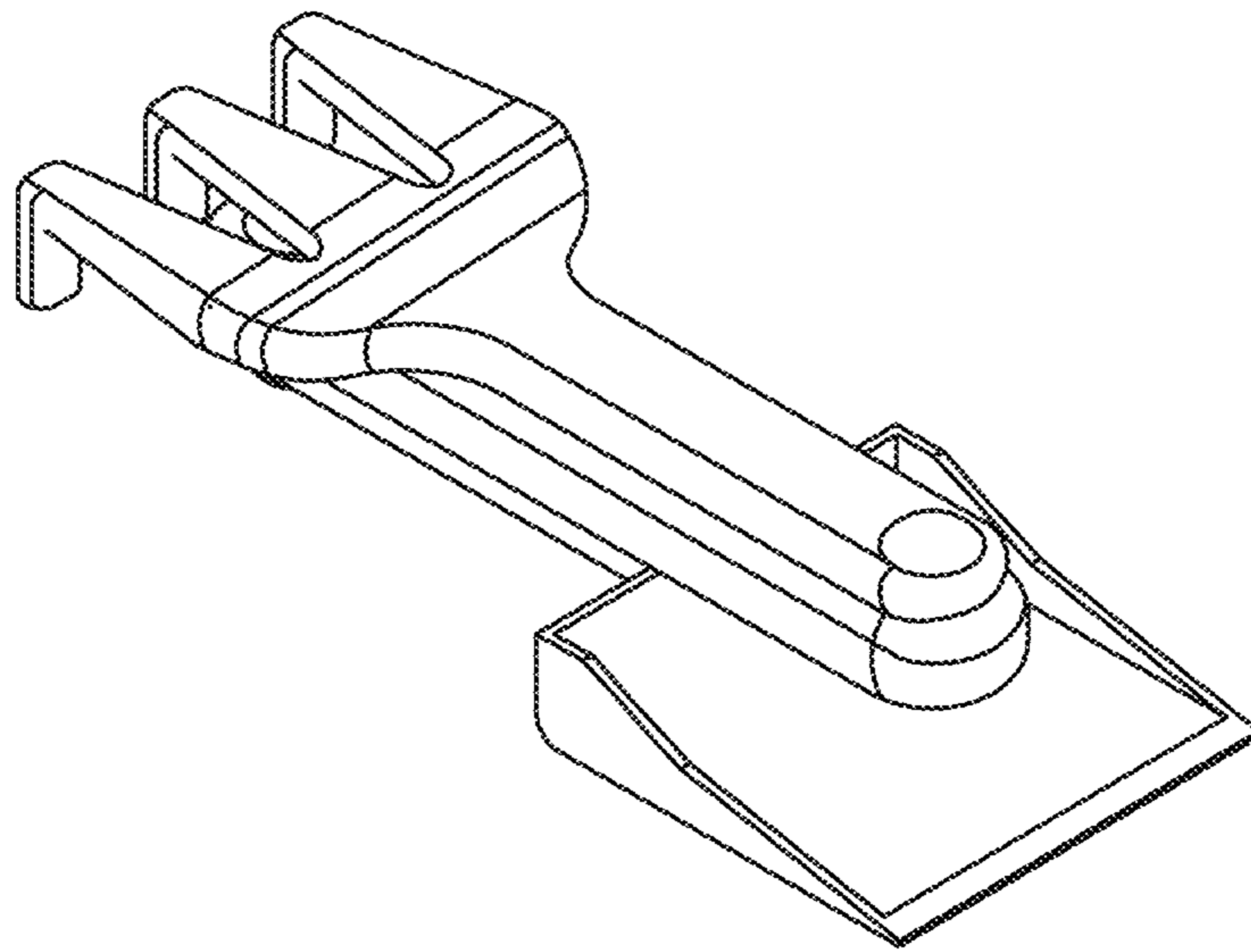
*FIG. 1*



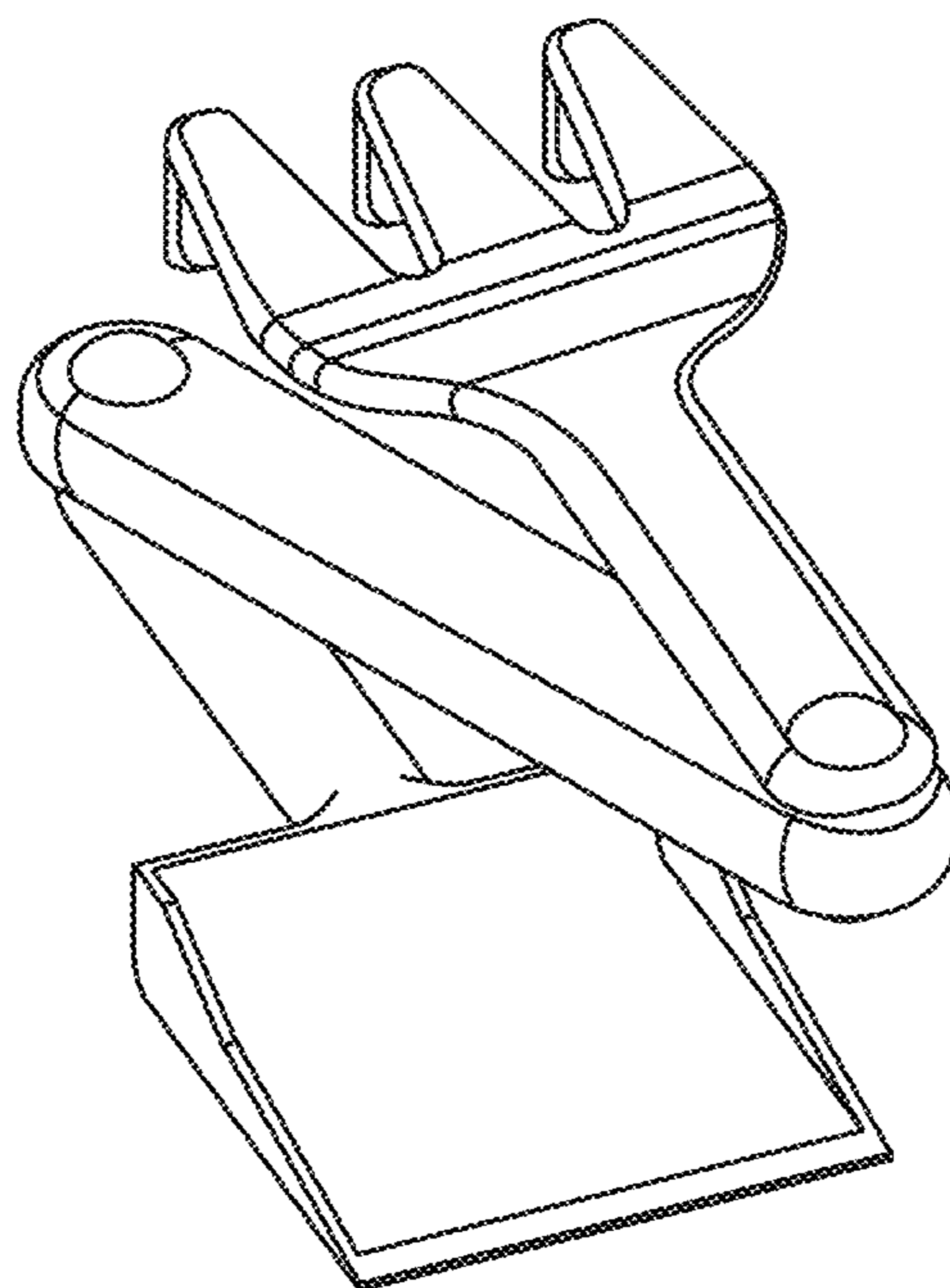
*FIG. 2*



*FIG. 3*



*FIG. 4*



*FIG. 5*

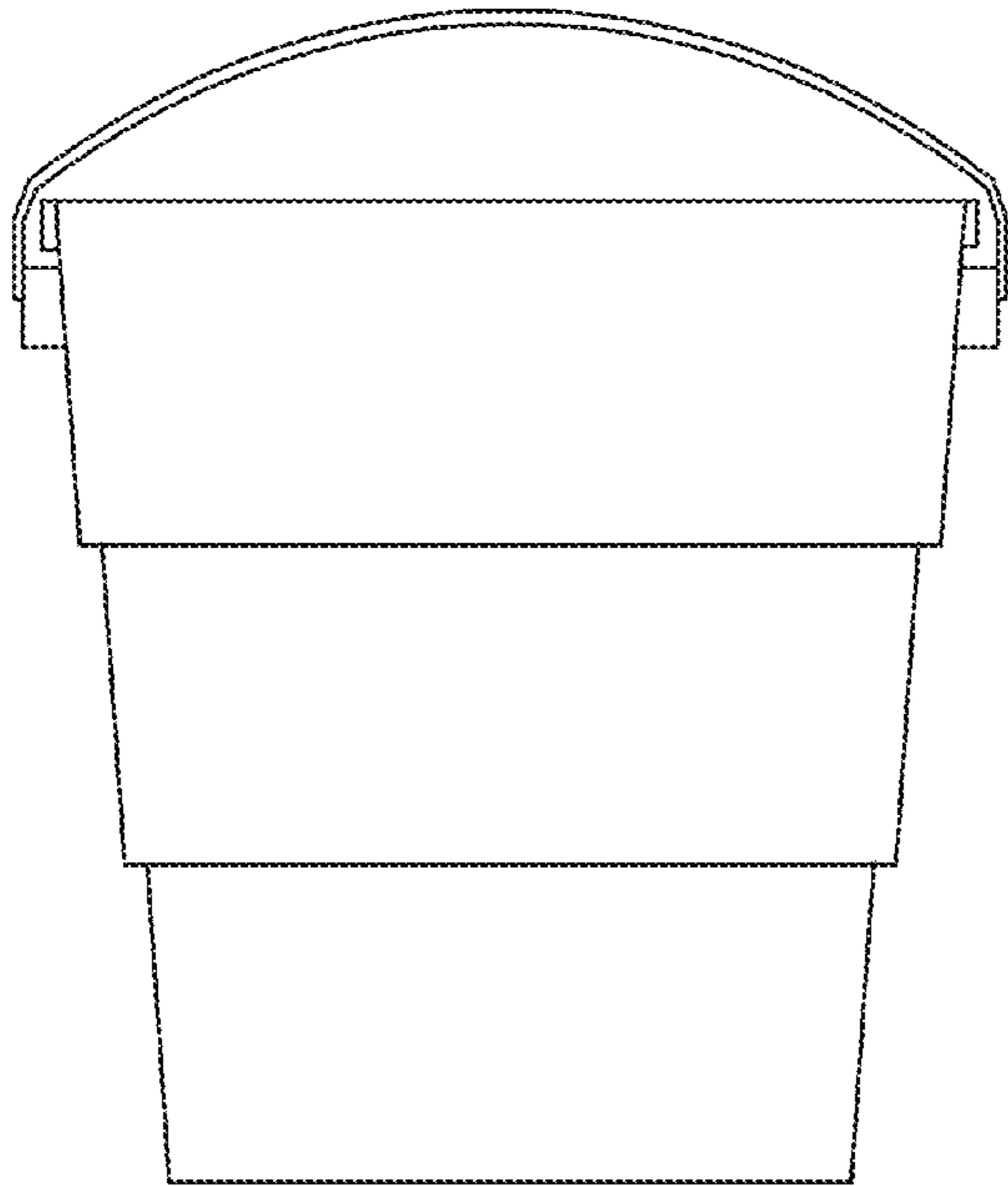


FIG. 6

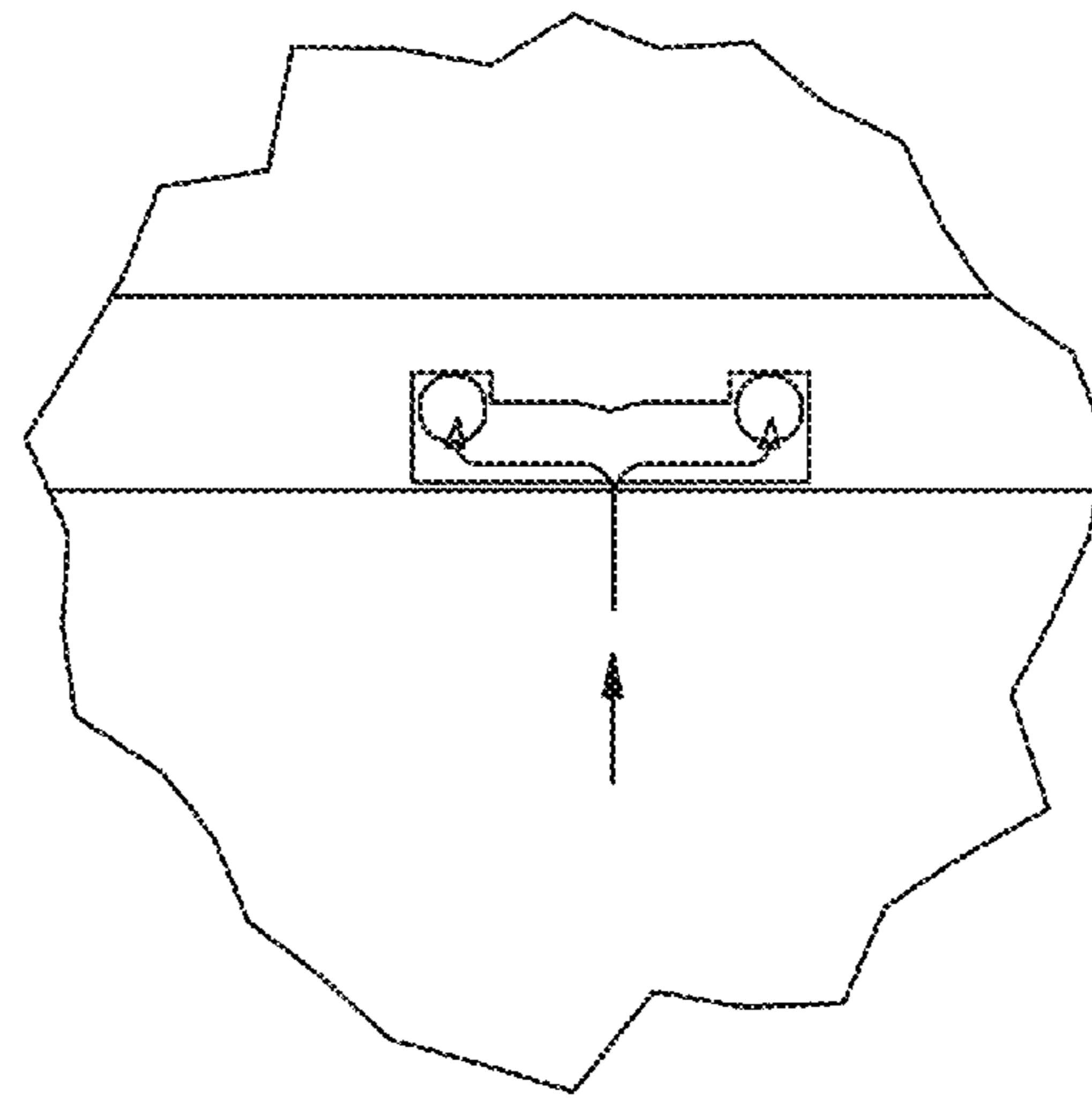


FIG. 7

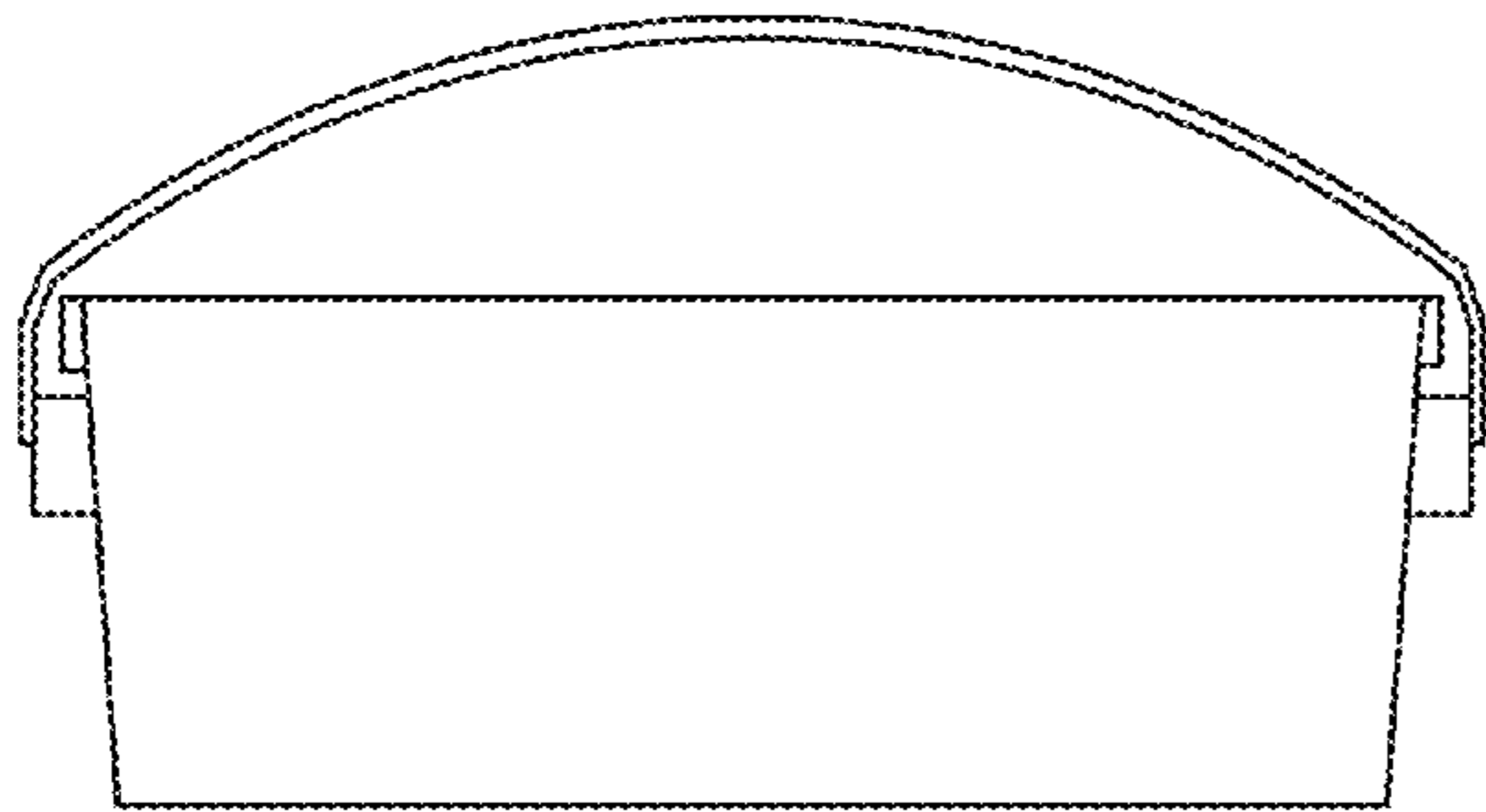


FIG. 8

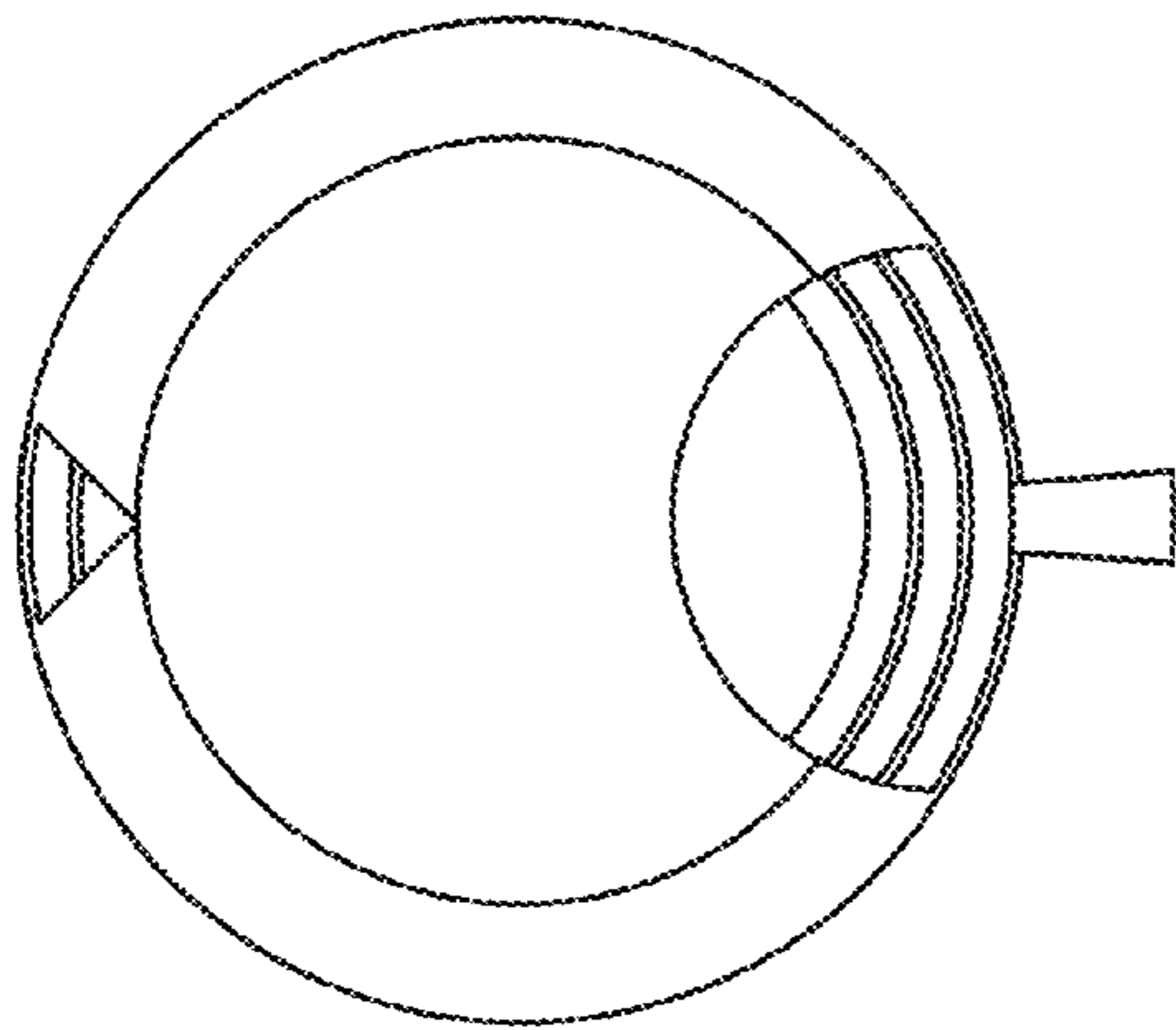


FIG. 9

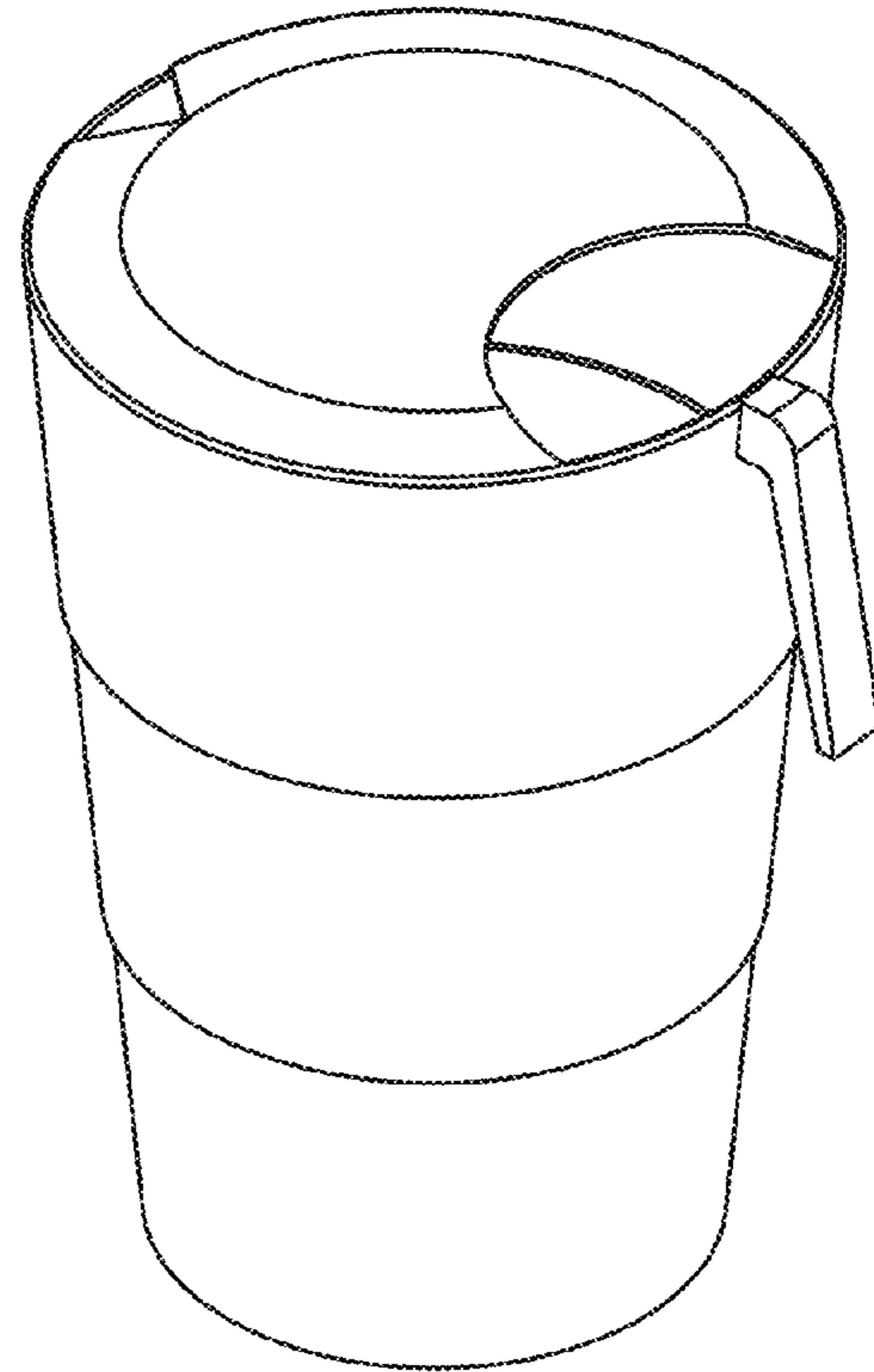


FIG. 11

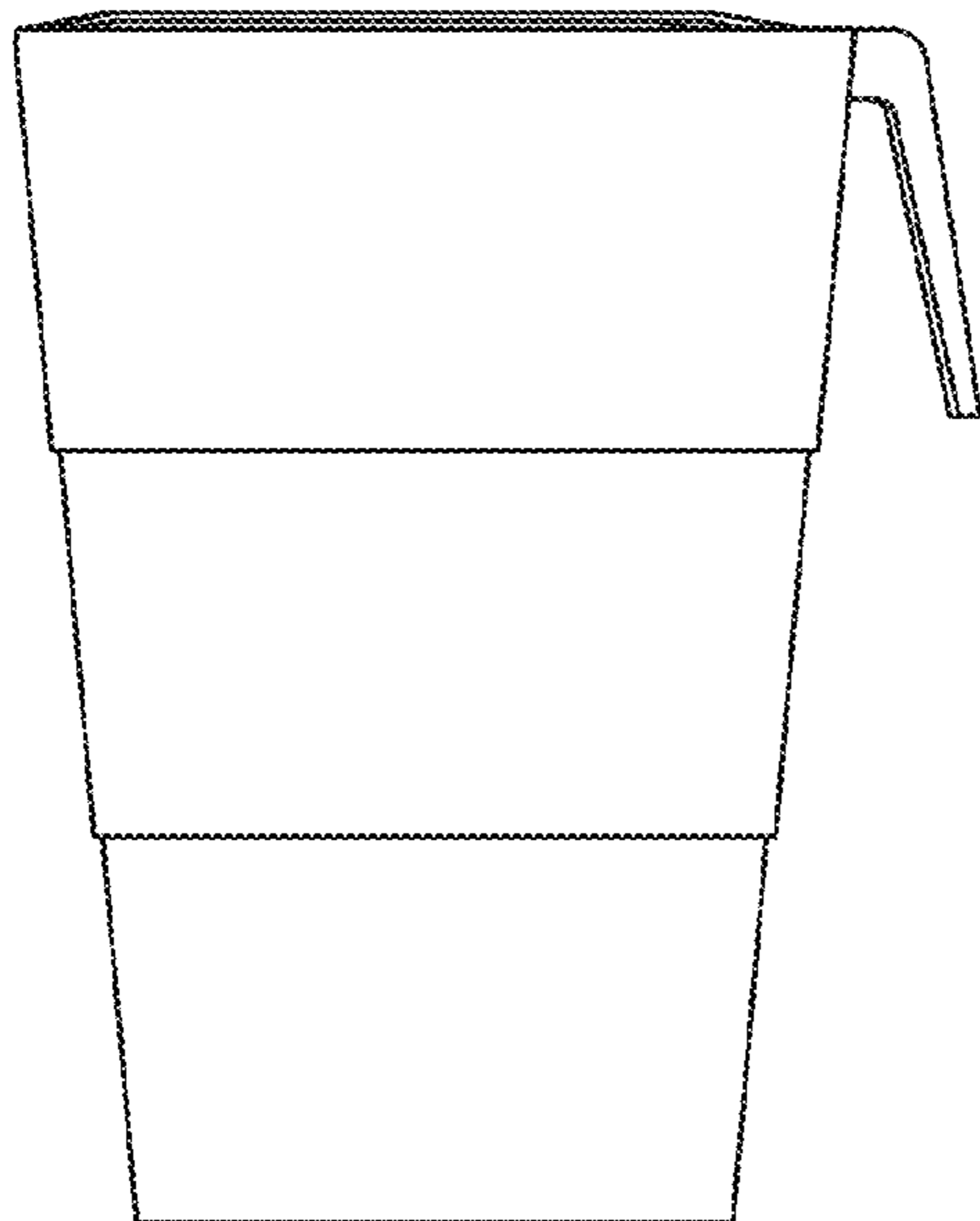


FIG. 10

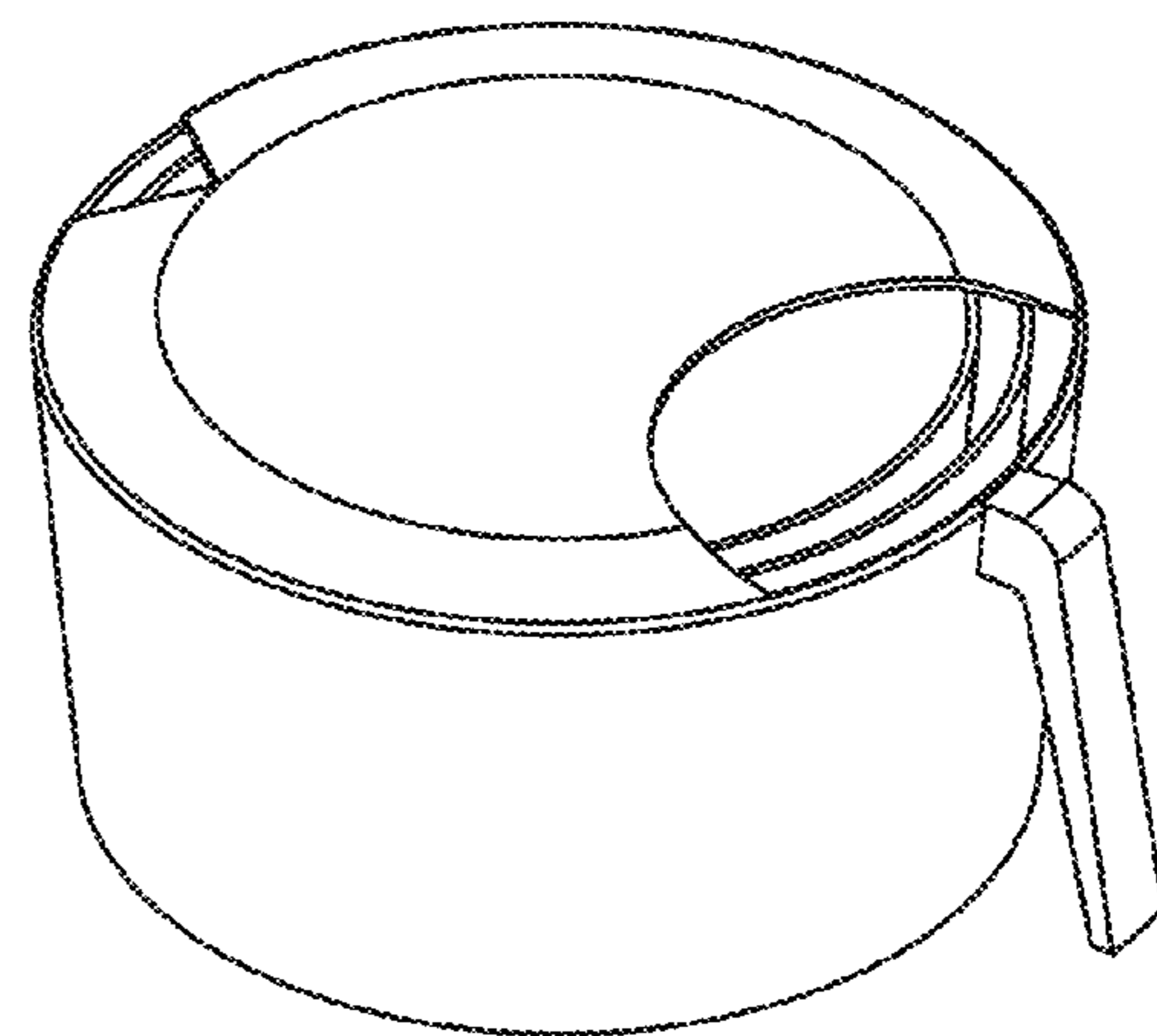


FIG. 13



FIG. 12