



US00D706363S

(12) **United States Design Patent**
Norman et al.

(10) **Patent No.:** **US D706,363 S**
(45) **Date of Patent:** **** Jun. 3, 2014**

(54) **BEAM COMPONENT FOR A CONSTRUCTION KIT**

D532,054 S * 11/2006 Kim D21/486
D687,108 S * 7/2013 Thygesen D21/486
D693,416 S * 11/2013 Webb D21/486

(71) Applicant: **Innovation First, Inc.**, Greenville, TX (US)

* cited by examiner

(72) Inventors: **David Anthony Norman**, Greenville, TX (US); **Robert H. Mimplitch, III**, Rowlett, TX (US); **Paul David Copioli**, Rockwall, TX (US); **Gregory James Lavender**, Rockwall, TX (US); **Aren Calder Hill**, Rockford, IL (US); **Douglas Michael Galletti**, Allen, TX (US); **John Edward Vielkind-Neun**, Rockwall, TX (US); **Arthur Philip Dutra, IV**, Greenville, TX (US)

Primary Examiner — Cynthia M Chin

(74) *Attorney, Agent, or Firm* — Adam K. Sacharoff; Much Shelist

(73) Assignee: **Innovation First, Inc.**, Greenville, TX (US)

(57) **CLAIM**

The ornamental design for a beam component for a construction kit, as shown and described.

(**) Term: **14 Years**

DESCRIPTION

(21) Appl. No.: **29/451,636**

FIG. 1 is a front perspective view of a beam component for a construction kit in accordance with a First Embodiment; FIG. 2 is a cross-sectional view of FIG. 1 taken of line 2-2 from FIG. 1; FIG. 3 is a rear perspective view of FIG. 1; FIG. 4 is a top side view of FIG. 1; FIG. 5 is a bottom side view of FIG. 1; FIG. 6 is a right side view of FIG. 1; FIG. 7 is a left side view of FIG. 1; FIG. 8 is a front side view of FIG. 1; FIG. 9 is a rear side view of FIG. 1; FIG. 10 is a front perspective view of a beam component for a construction kit in accordance with another Embodiment; FIG. 11 is a sectional view of FIG. 10 taken of line 11-11 from FIG. 10; FIG. 12 is a rear perspective view of FIG. 10; FIG. 13 is a top side view of FIG. 10; FIG. 14 is a bottom side view of FIG. 10; FIG. 15 is a right side view of FIG. 10; FIG. 16 is a left side view of FIG. 10; FIG. 17 is a front side view of FIG. 10; FIG. 18 is a rear side view of FIG. 10; FIG. 19 is a front perspective view of a beam component for a construction kit in accordance with another Embodiment; FIG. 20 is a sectional view of FIG. 19 taken of line 20-20 from FIG. 19; FIG. 21 is a rear perspective view of FIG. 19; FIG. 22 is a top side perspective view of FIG. 19; FIG. 23 is a bottom side view of FIG. 19;

(22) Filed: **Apr. 5, 2013**

(51) **LOC (10) Cl.** **21-01**

(52) **U.S. Cl.**
USPC **D21/491**; D21/486

(58) **Field of Classification Search**
USPC D21/484, 485, 486, 488, 489, 491, 494, D21/495, 499, 500-504; 446/69, 85, 446/102-128; 434/208, 259, 403; 273/153, 273/156, 160; 428/174
See application file for complete search history.

(56) **References Cited**

U.S. PATENT DOCUMENTS

D359,999 S * 7/1995 Schmidt et al. D21/486
D374,257 S * 10/1996 Schmidt et al. D21/486
D394,091 S * 5/1998 Parry D21/486
D396,499 S * 7/1998 Larws D21/484
D517,615 S * 3/2006 Kim D21/486
D528,170 S * 9/2006 Kim D21/486

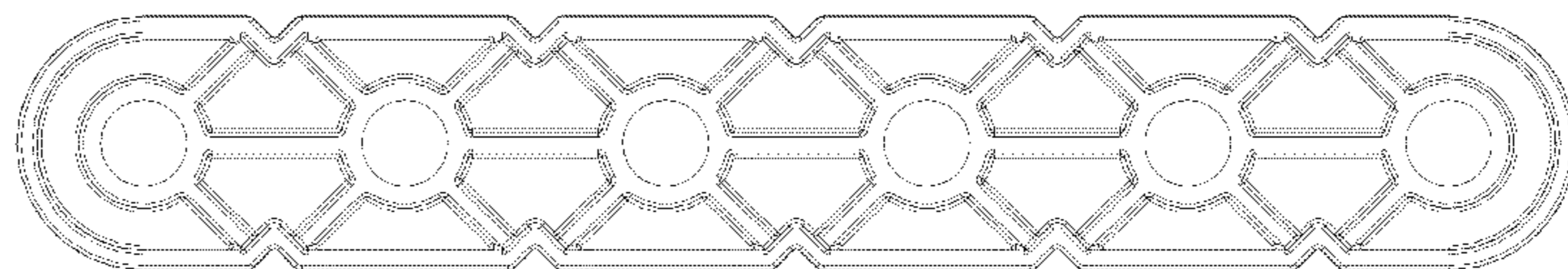
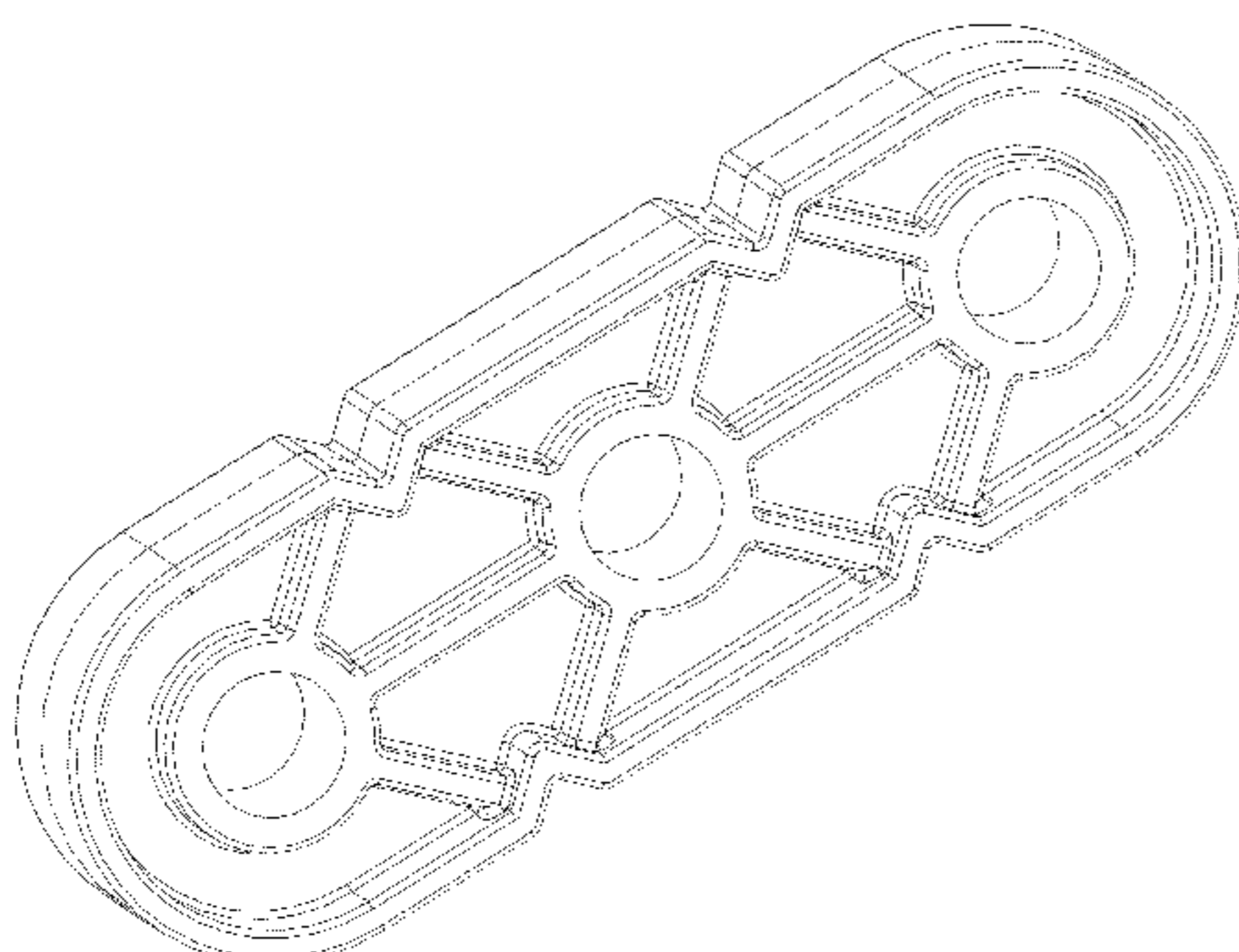


FIG. 24 is a right side view of FIG. 19;
FIG. 25 is a left side view of FIG. 19;
FIG. 26 is a front side view of FIG. 19;
FIG. 27 is a rear side view of FIG. 19;
FIG. 28 is a front perspective view of a beam component for a construction kit in accordance with another Embodiment;
FIG. 29 is a sectional view of FIG. 28 taken of line 29-29 from FIG. 28;
FIG. 30 is a rear perspective view of FIG. 28;
FIG. 31 is a top side view of FIG. 28;
FIG. 32 is a bottom side view of FIG. 28;
FIG. 33 is a right side view of FIG. 28;
FIG. 34 is a left side view of FIG. 28;
FIG. 35 is a front side view of FIG. 28;
FIG. 36 is a rear side view of FIG. 28;
FIG. 37 is a front perspective view of a beam component for a construction kit in accordance with another Embodiment;
FIG. 38 is a sectional view of FIG. 37 taken of line 38-38 from FIG. 37;
FIG. 39 is a rear perspective view of FIG. 37;
FIG. 40 is a top side view of FIG. 37;
FIG. 41 is a bottom side view of FIG. 37;
FIG. 42 is a right side view of FIG. 37;
FIG. 43 is a left side view of FIG. 37;
FIG. 44 is a front side view of FIG. 37;
FIG. 45 is a rear side view of FIG. 37;

FIG. 46 is a front perspective view of a beam component for a construction kit in accordance with another Embodiment;
FIG. 47 is a sectional view of FIG. 46 taken of line 47-47 from FIG. 46;
FIG. 48 is a rear perspective view of FIG. 46;
FIG. 49 is a top side view of FIG. 46;
FIG. 50 is a bottom side view of FIG. 46;
FIG. 51 is a right side view of FIG. 46;
FIG. 52 is a left side view of FIG. 46;
FIG. 53 is a front side view of FIG. 46;
FIG. 54 is a rear side view of FIG. 46;
FIG. 55 is a front perspective view of a beam component for a construction kit in accordance with another Embodiment;
FIG. 56 is a sectional view of FIG. 55 taken of line 56-56 from FIG. 55;
FIG. 57 is a rear perspective view of FIG. 55;
FIG. 58 is a top side view of FIG. 55;
FIG. 59 is a bottom side view of FIG. 55;
FIG. 60 is a right side view of FIG. 55;
FIG. 61 is a left side view of FIG. 55;
FIG. 62 is a front side view of FIGS. 55; and,
FIG. 63 is a rear side view of FIG. 55.
The broken lines are for environmental purposes only and form no part of the claimed design.

1 Claim, 63 Drawing Sheets

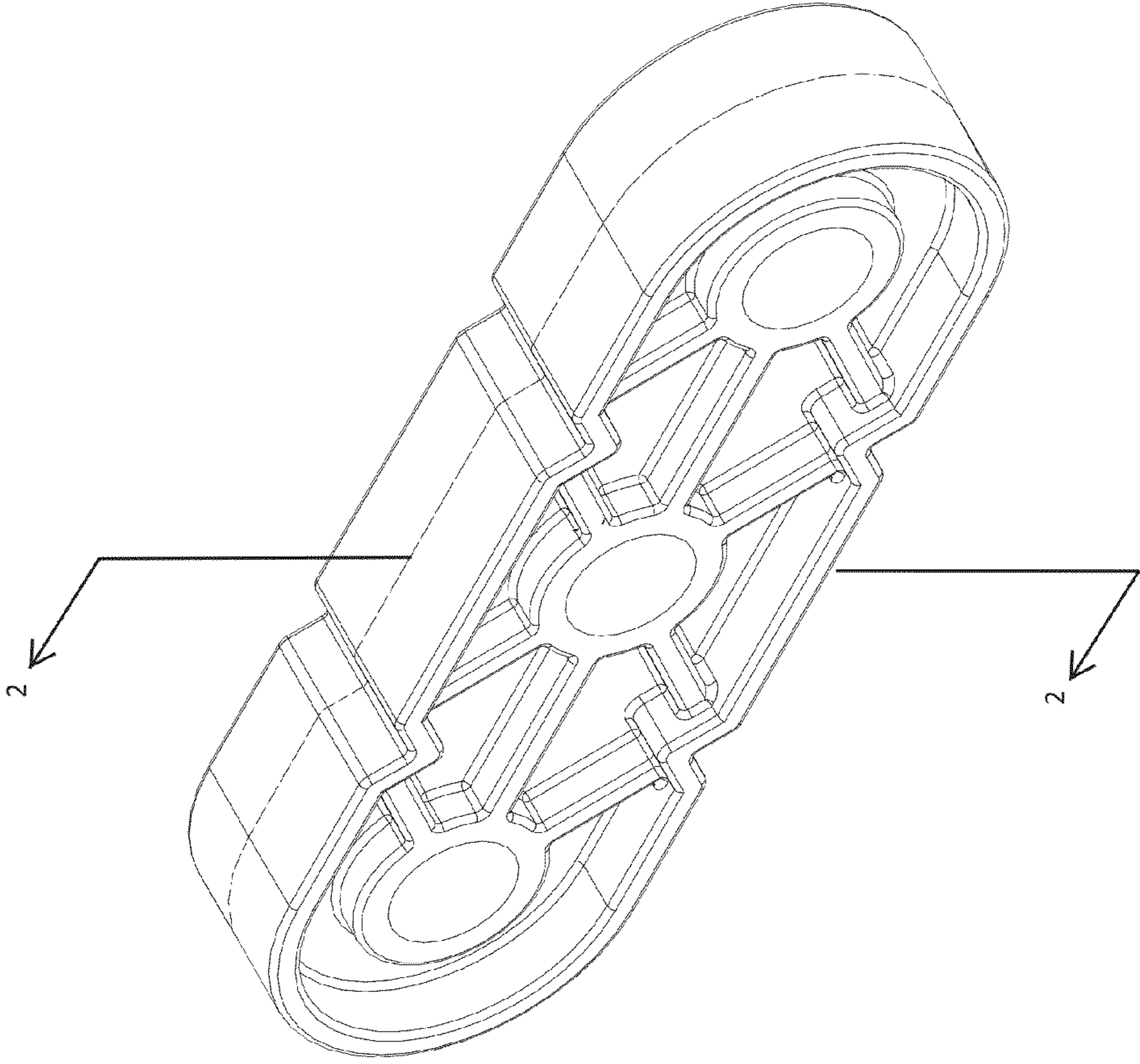


FIGURE 1

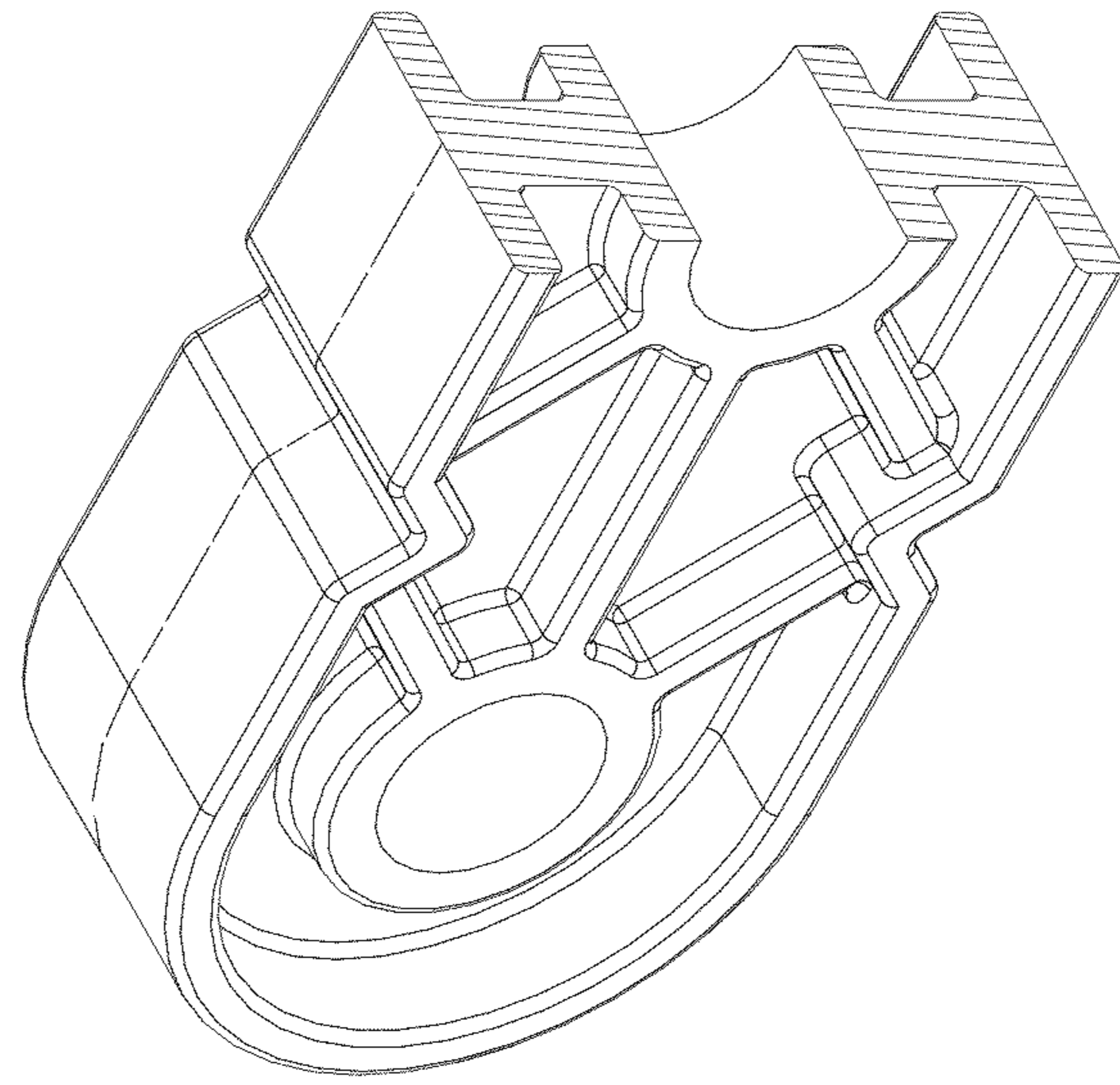


FIGURE 2

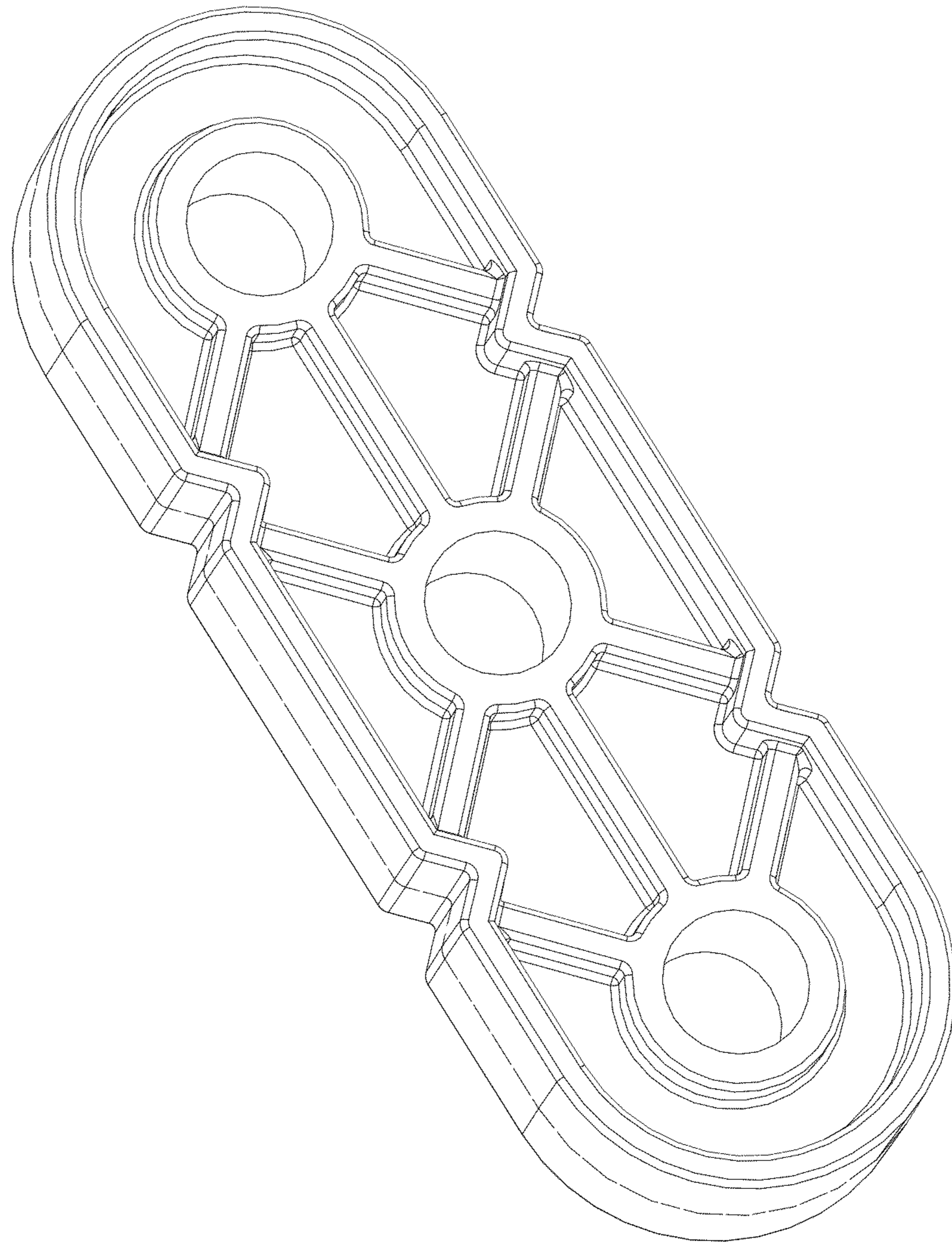


FIGURE 3

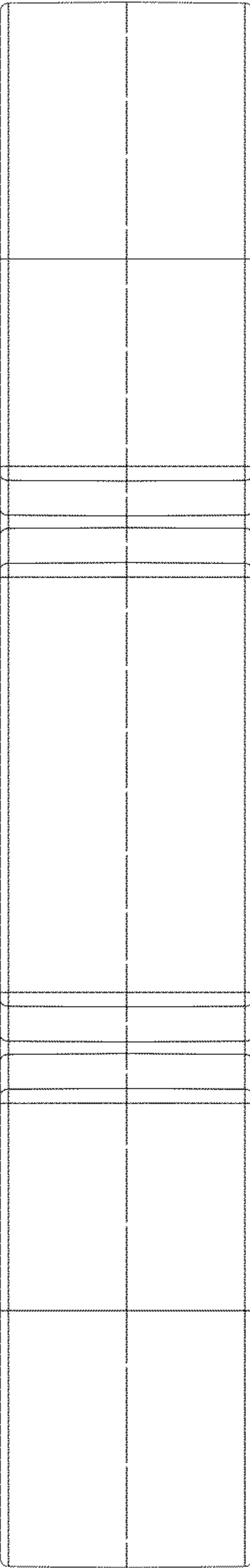


FIGURE 4

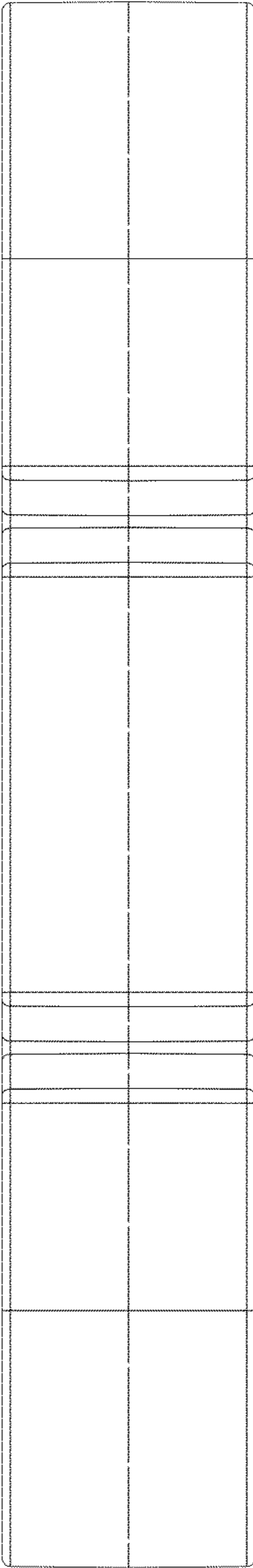


FIGURE 5

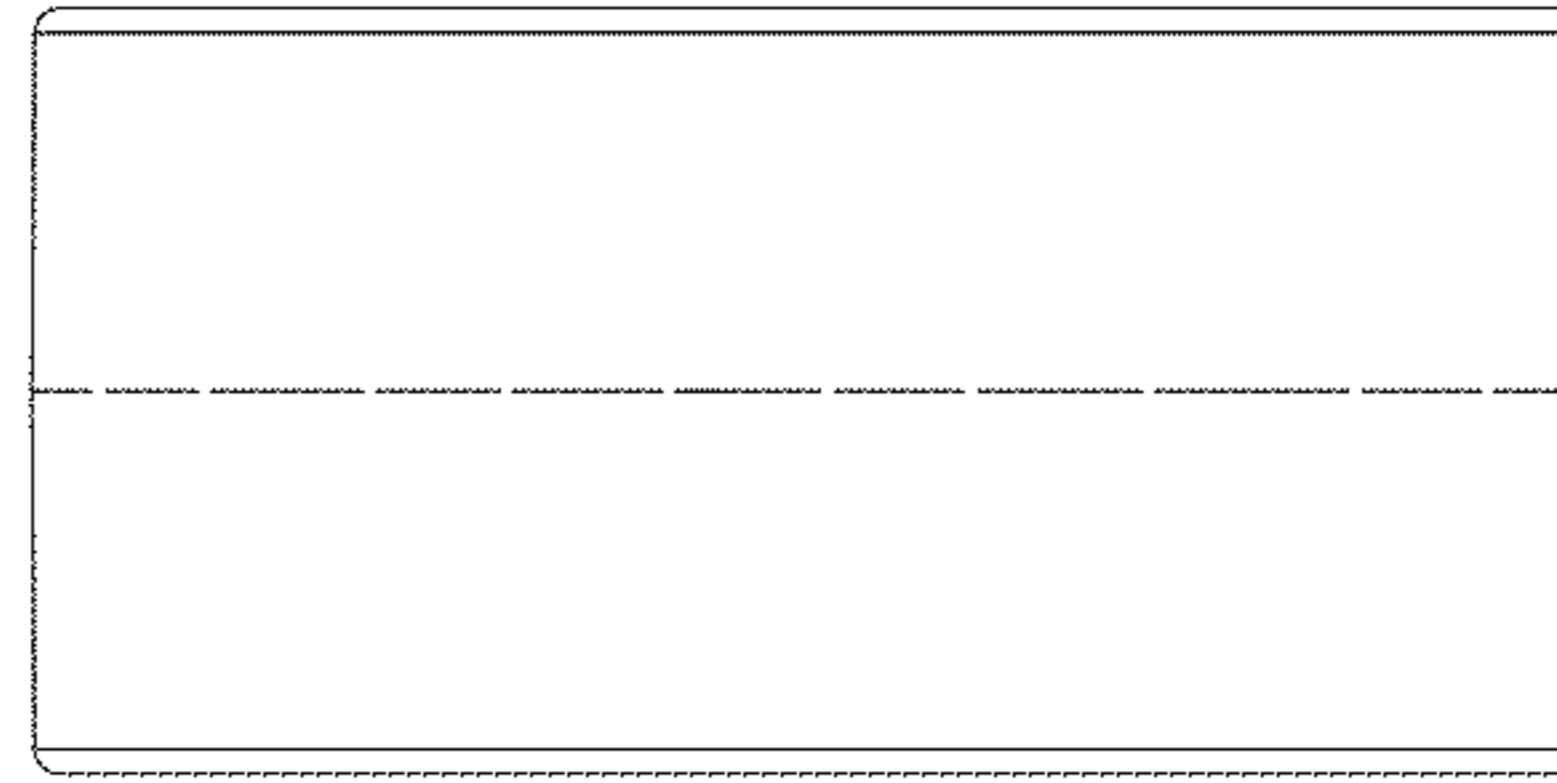


FIGURE 6

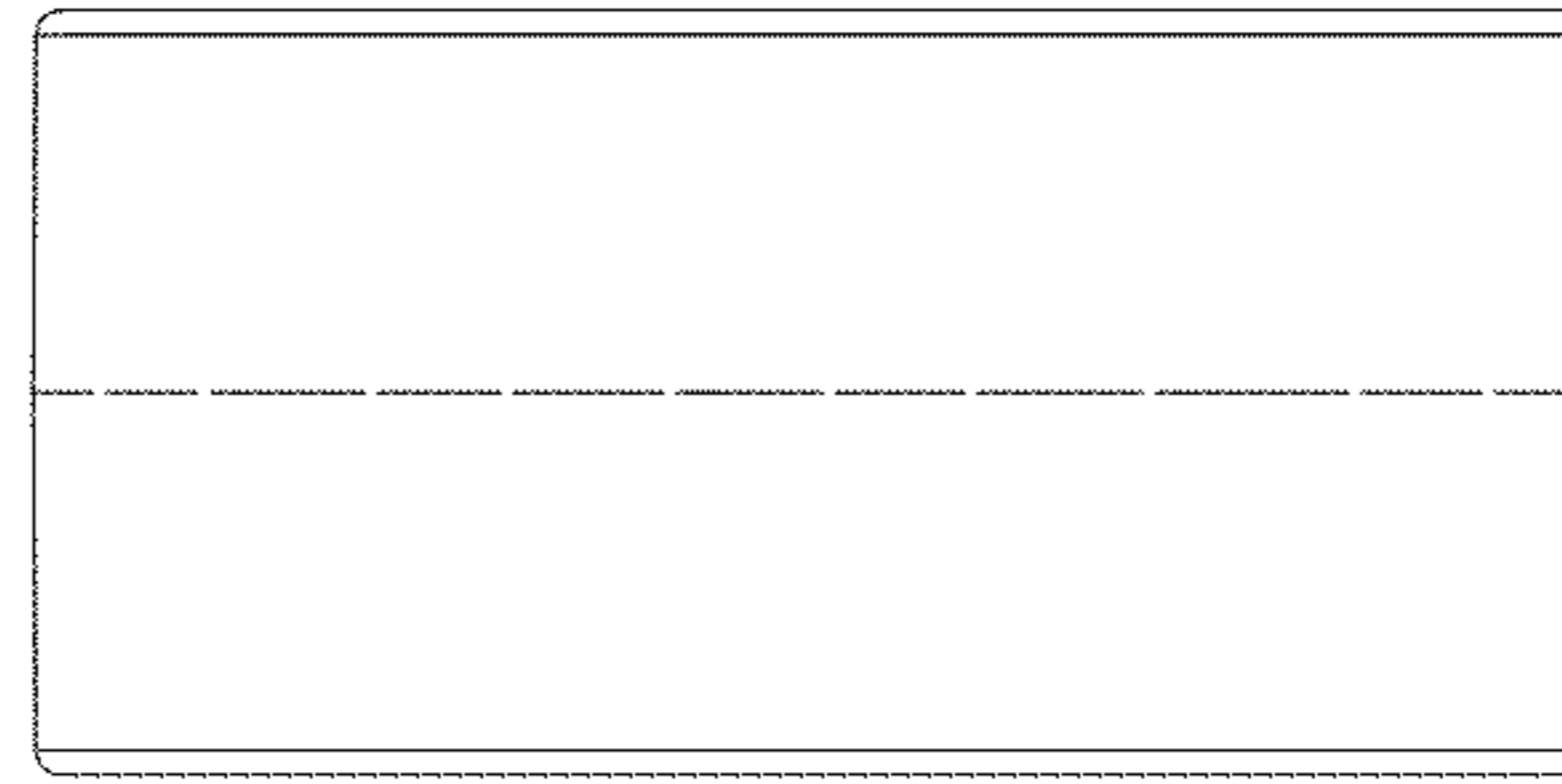


FIGURE 7

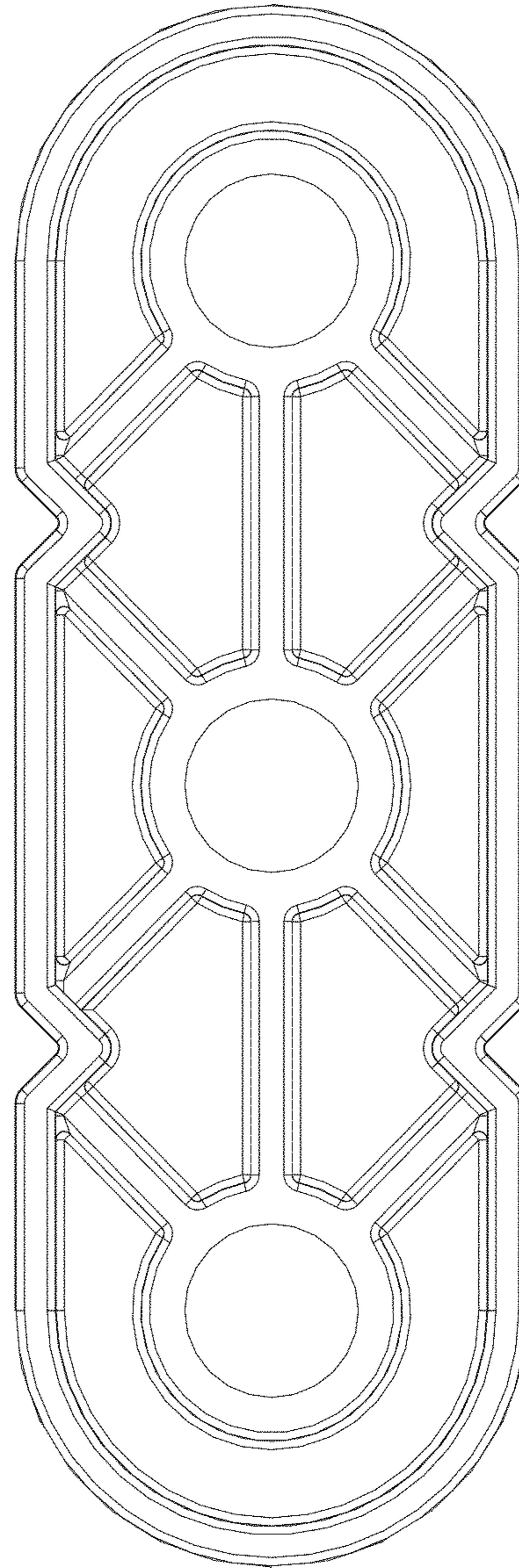


FIGURE 8

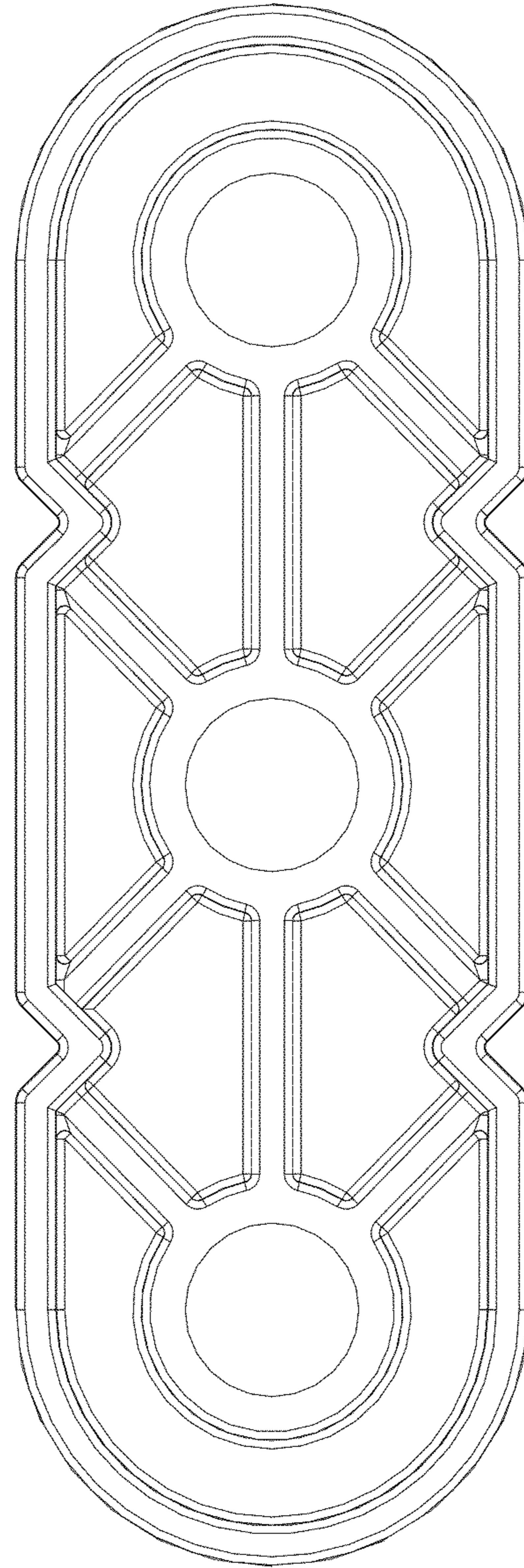


FIGURE 9

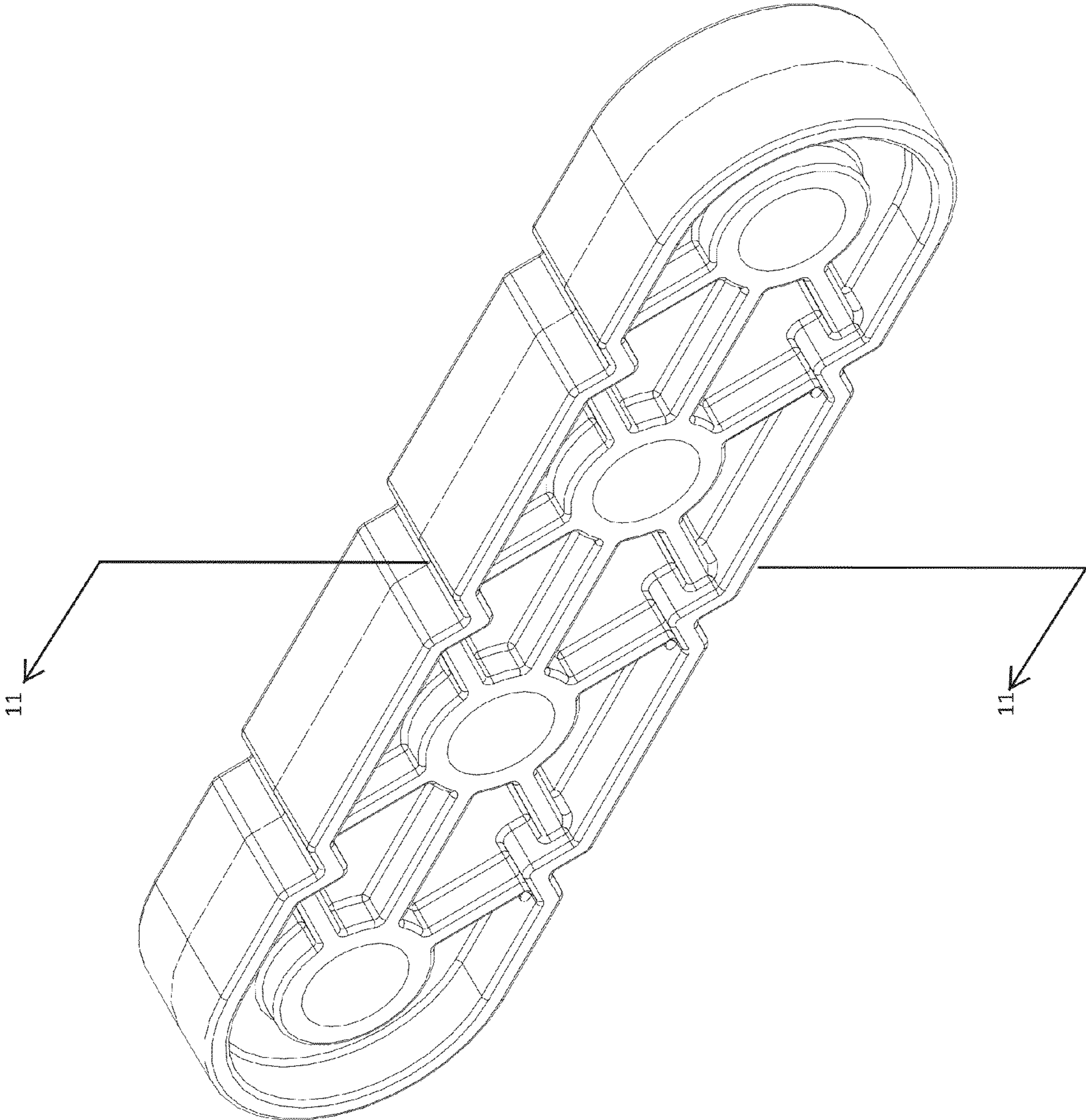


FIGURE 10

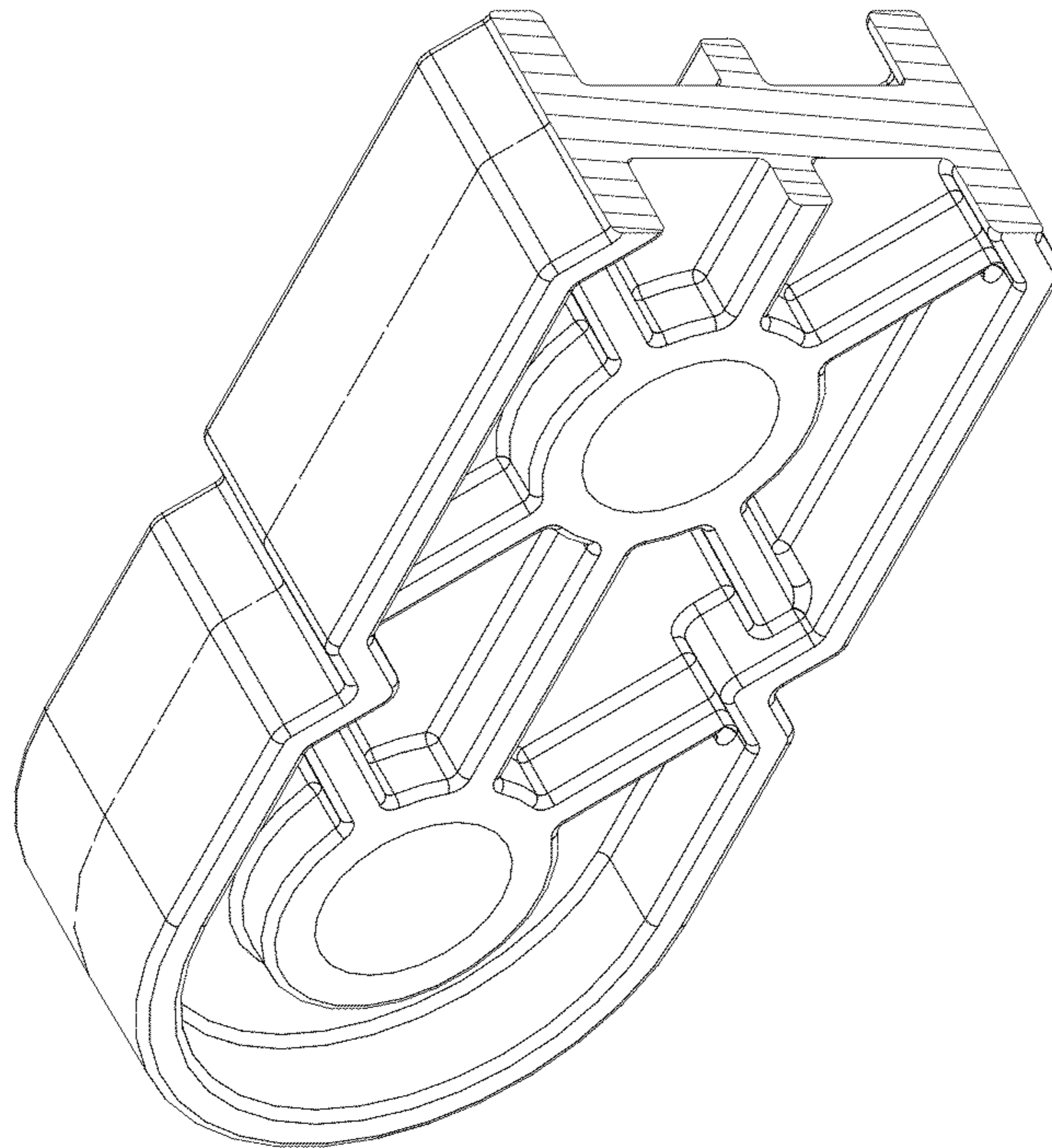


FIGURE 11

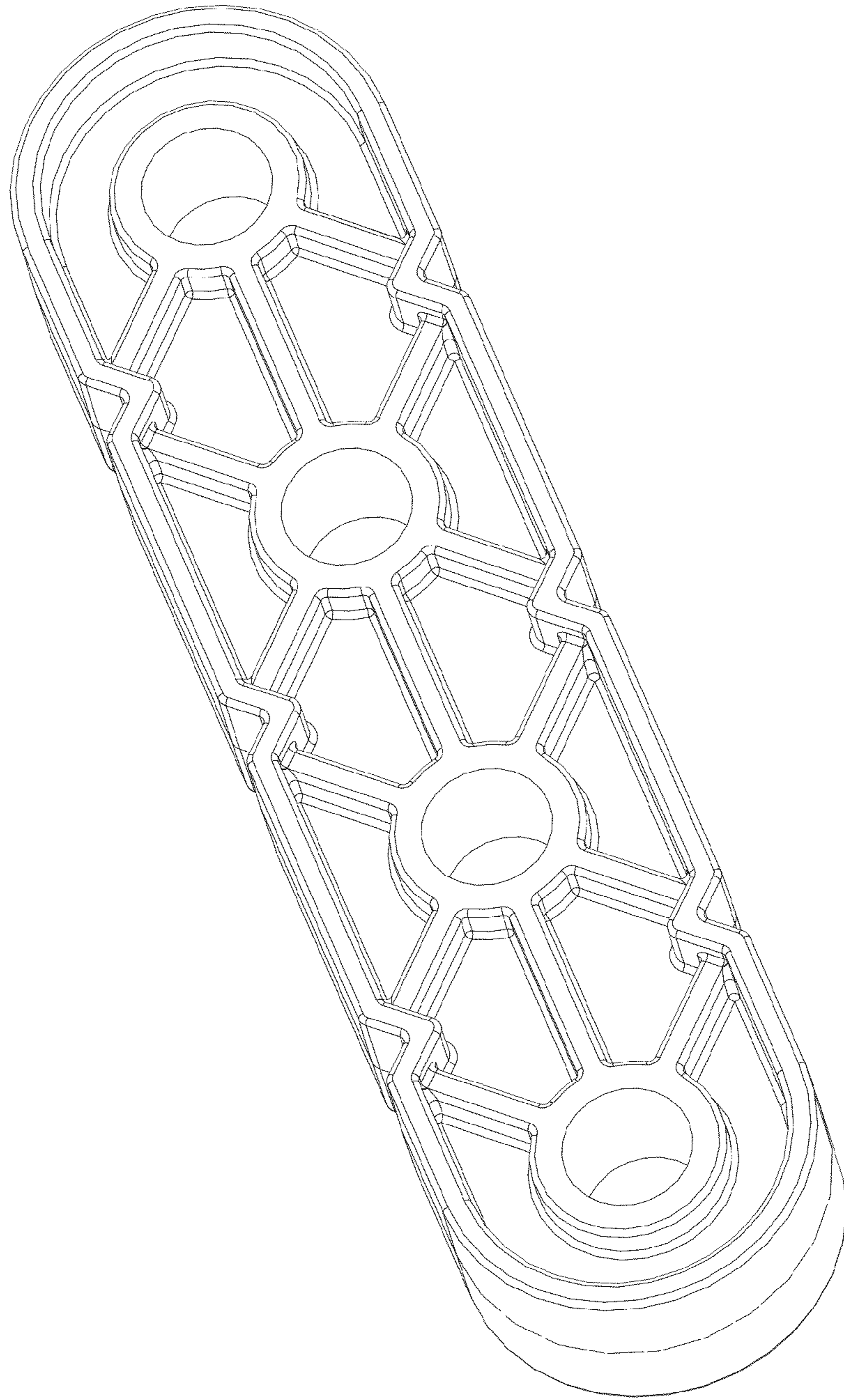


FIGURE 12

FIGURE 13

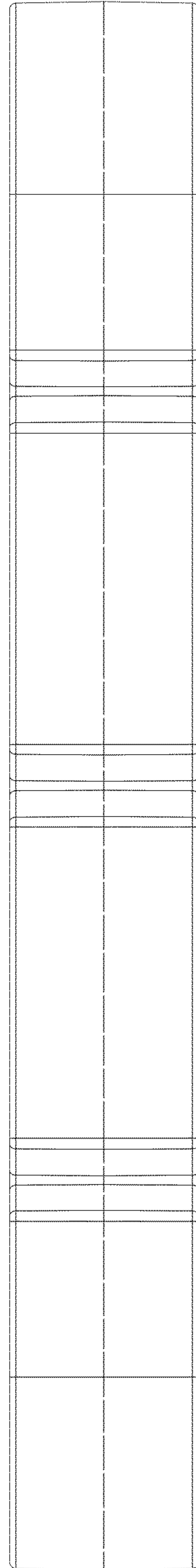
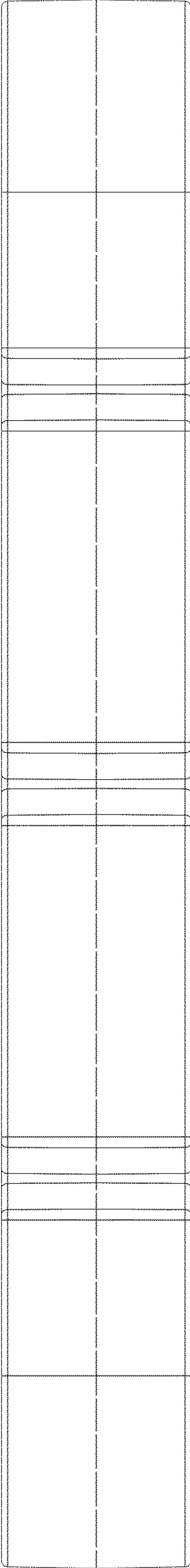


FIGURE 14



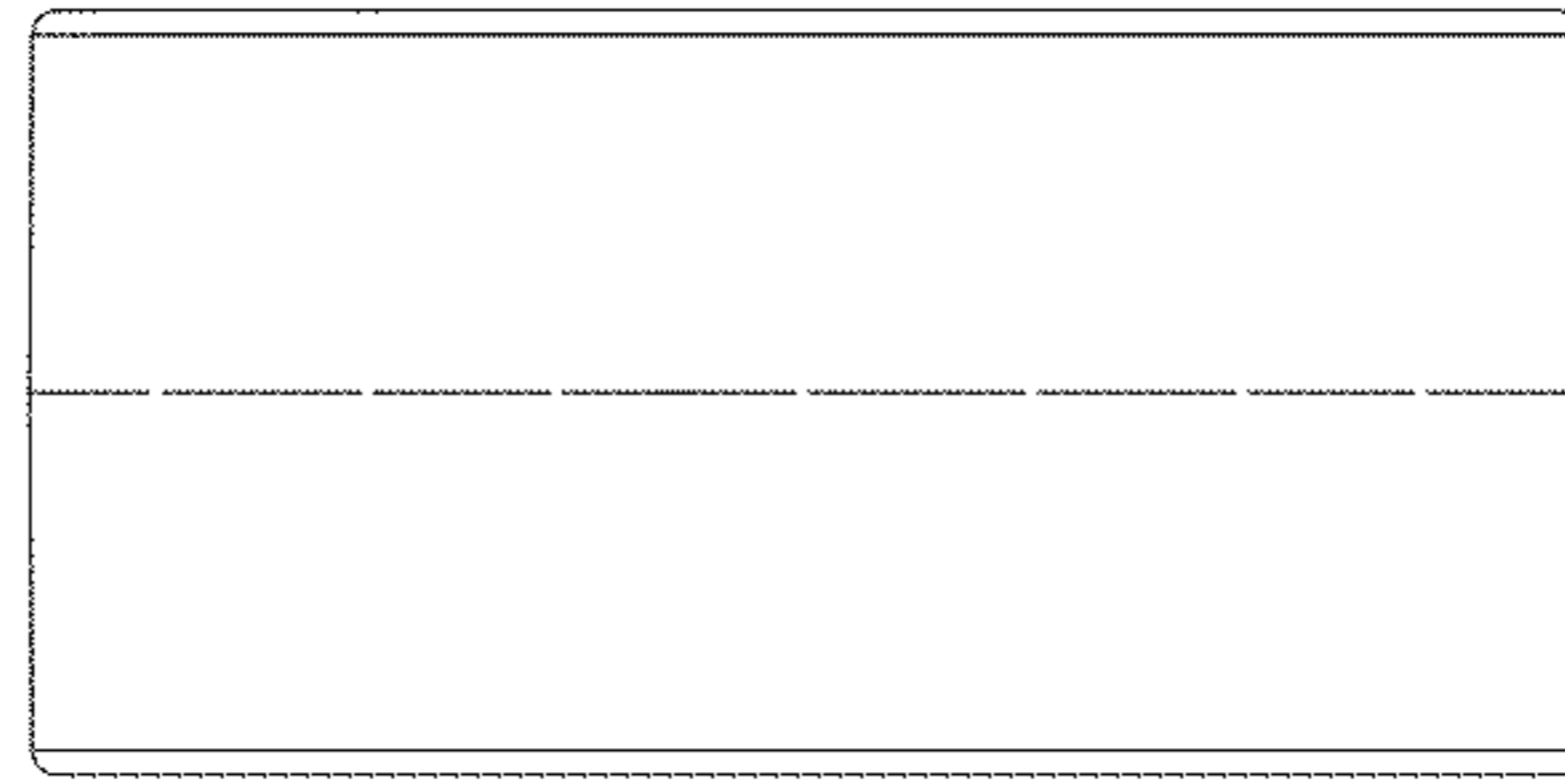


FIGURE 15

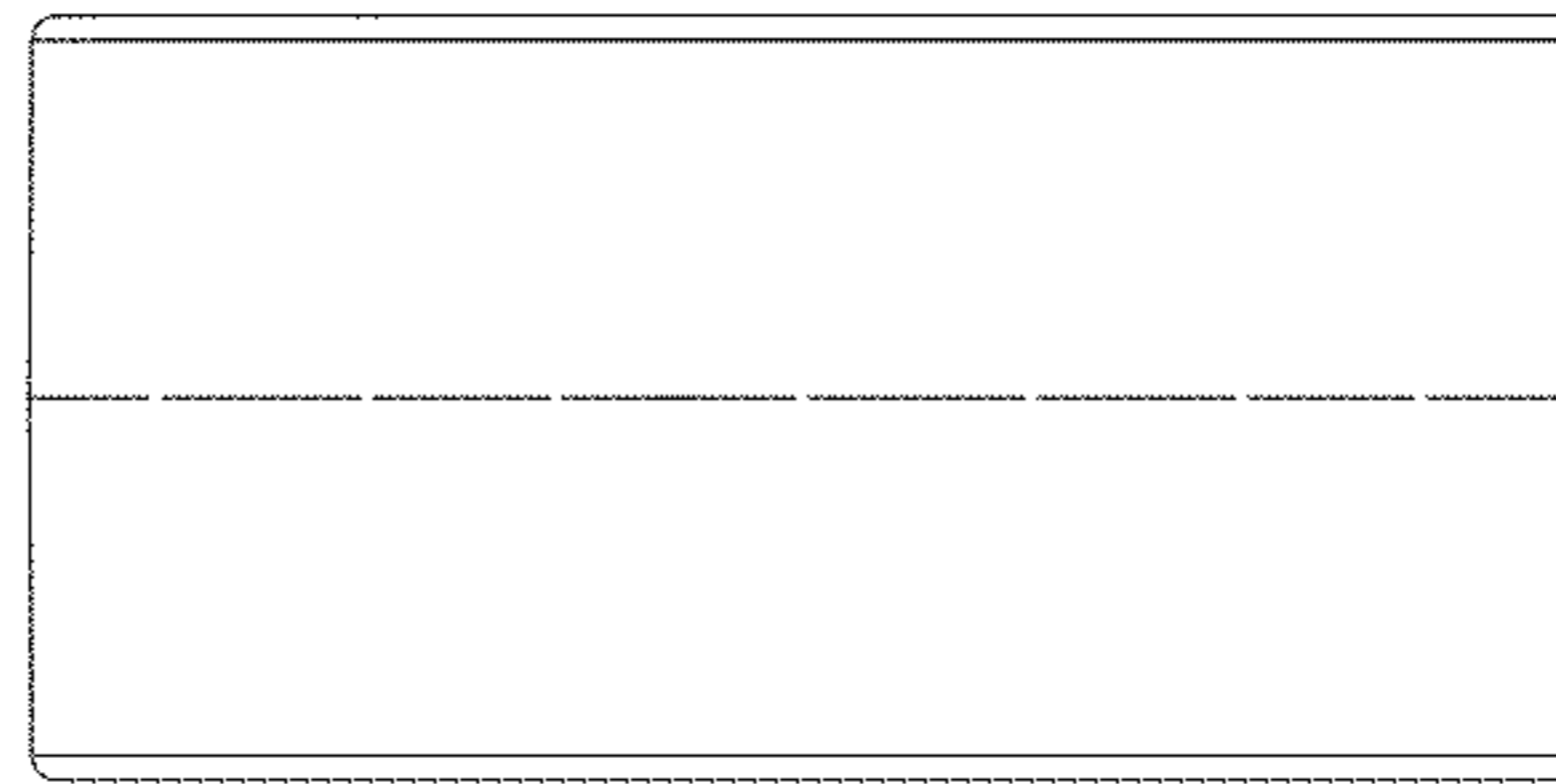


FIGURE 16

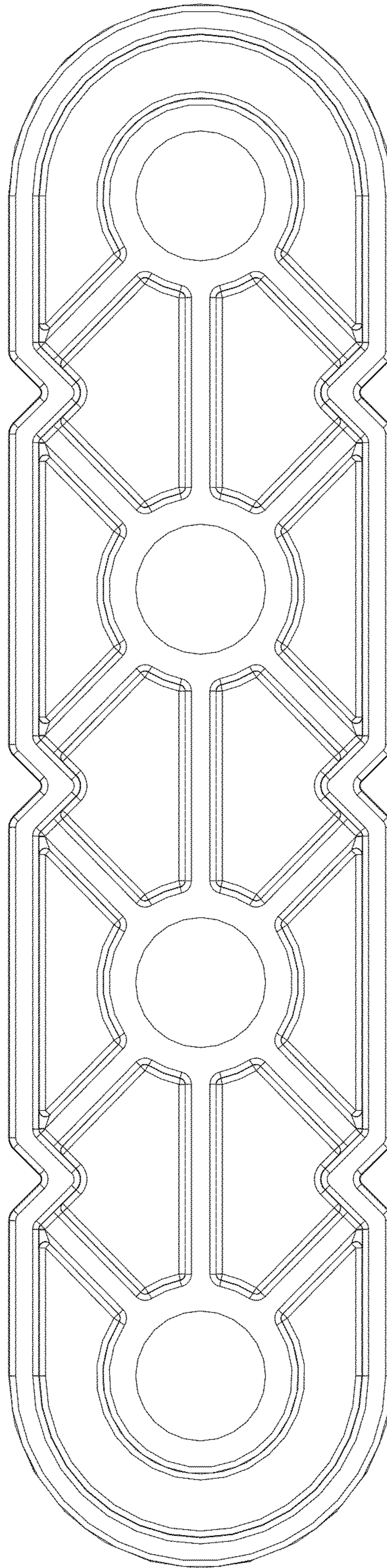


FIGURE 17

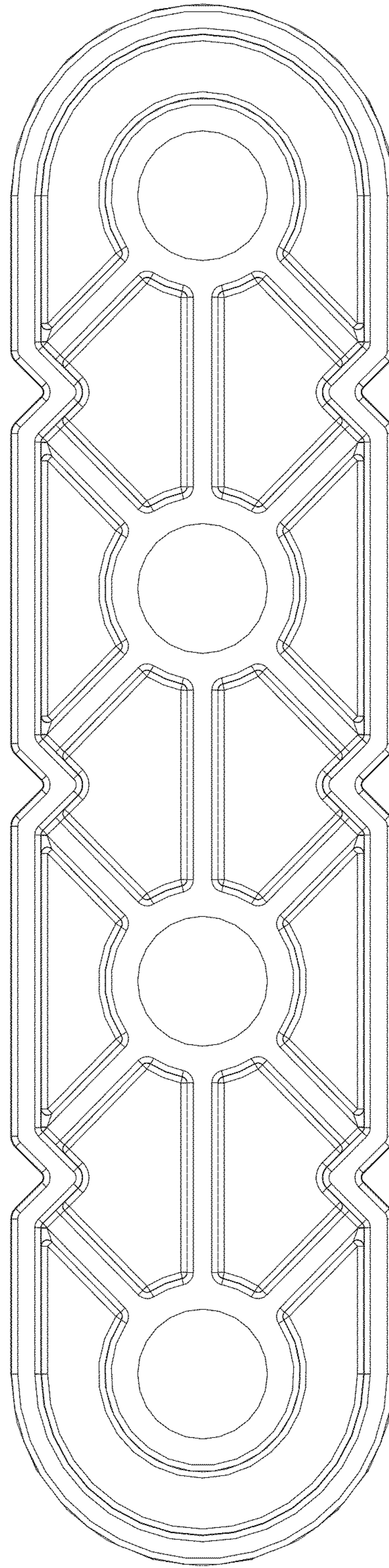


FIGURE 18

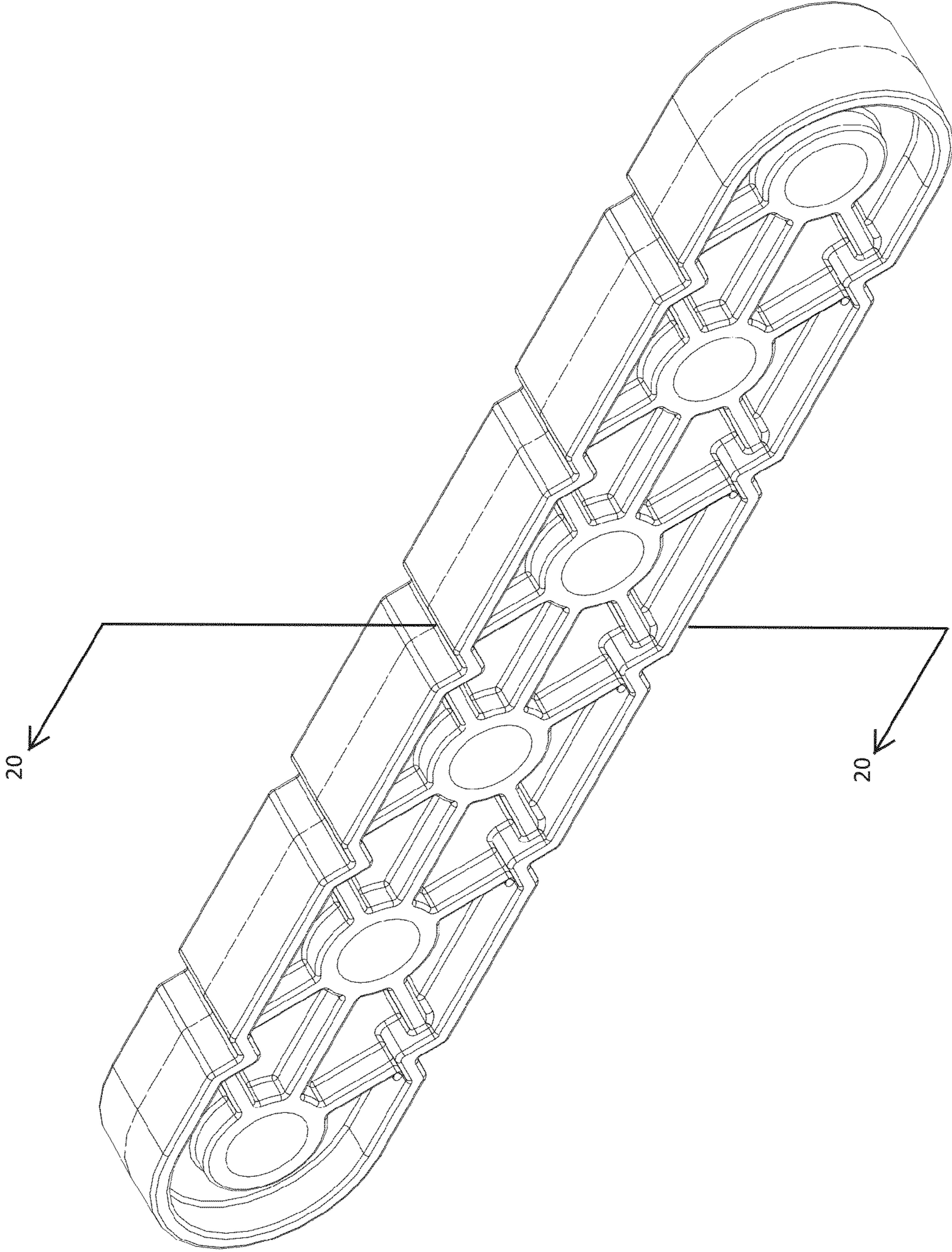


FIGURE 19

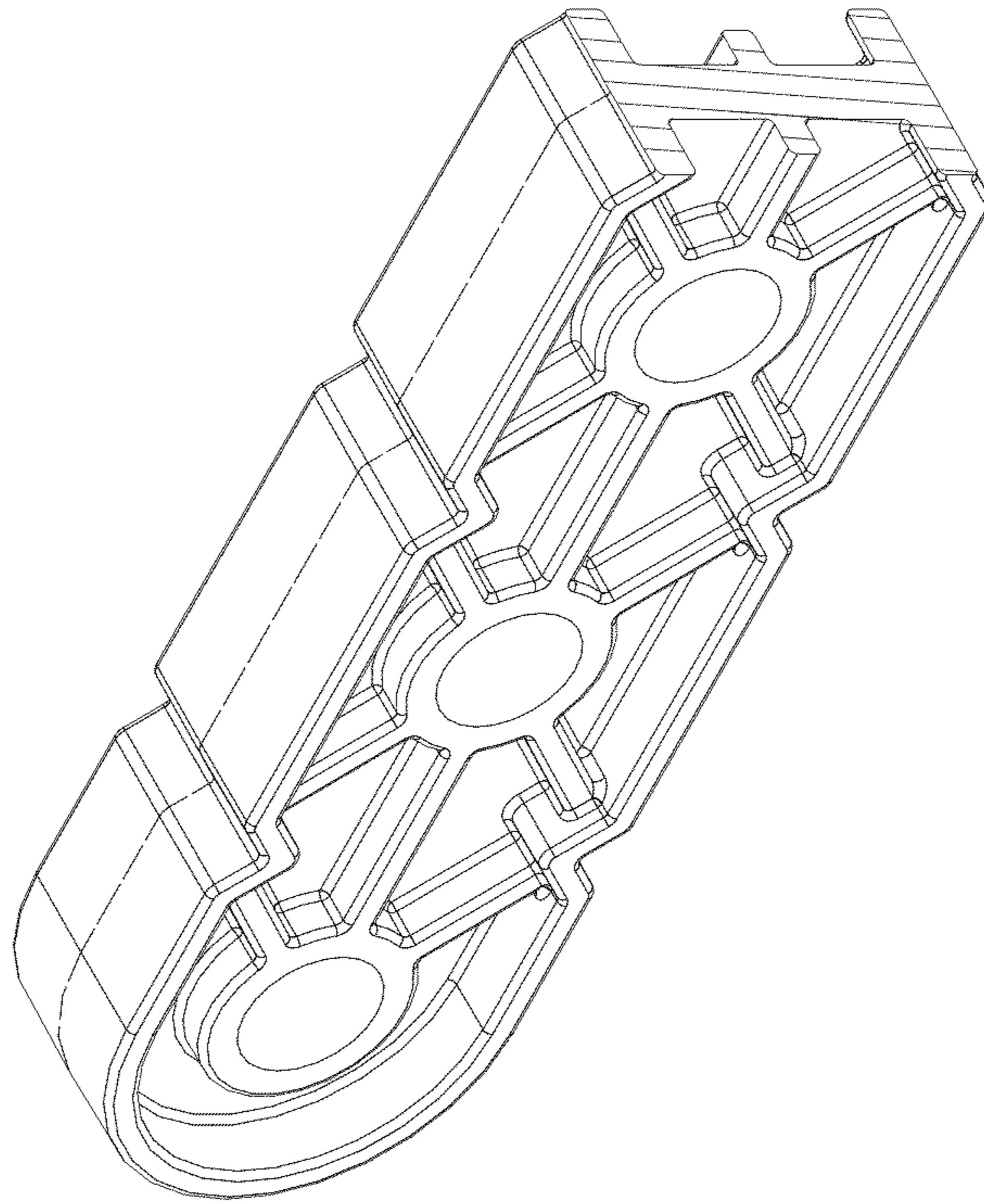


FIGURE 20

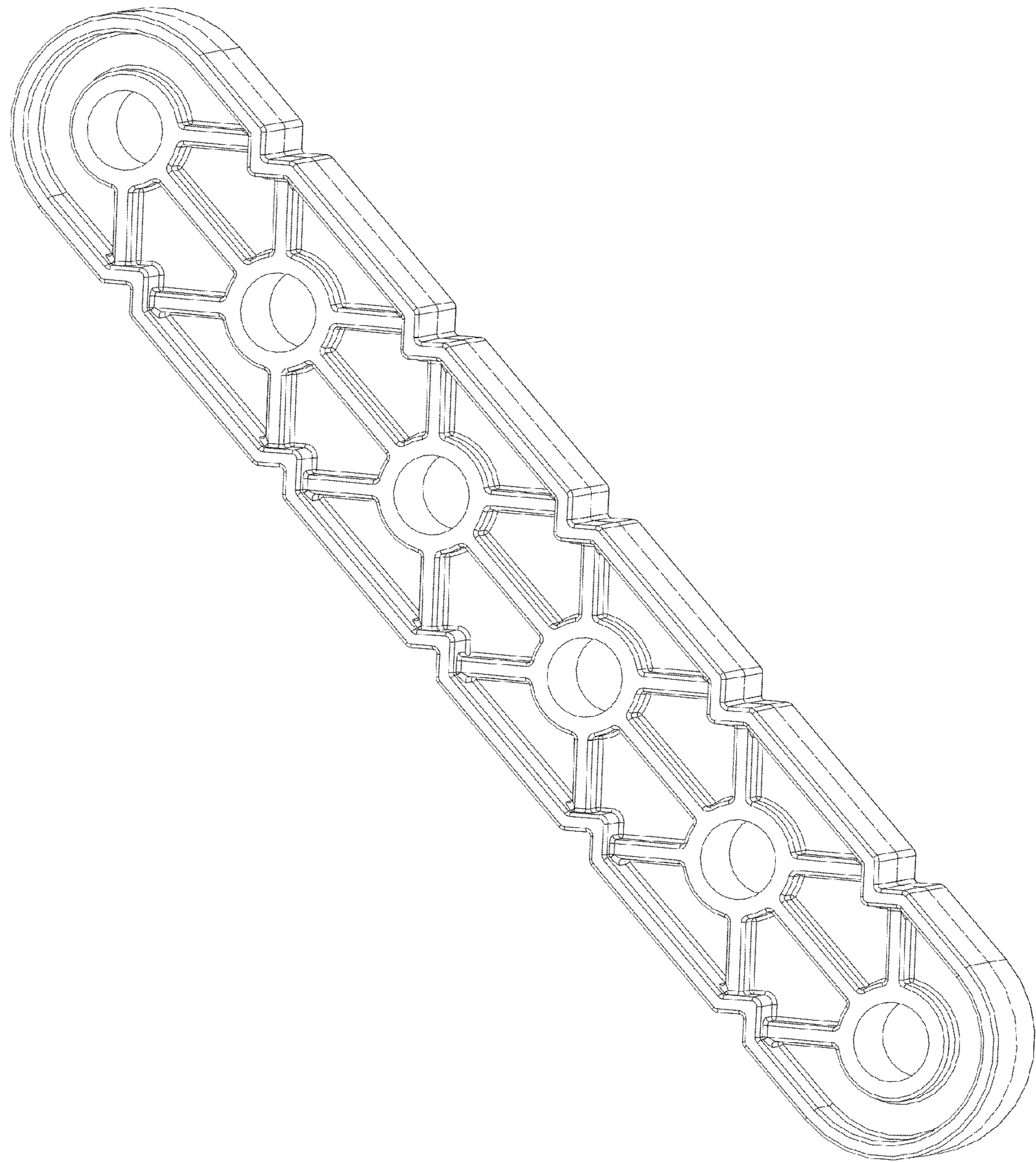


FIGURE 21

FIGURE 22

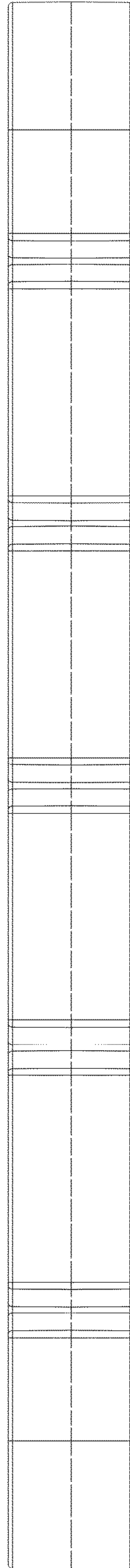
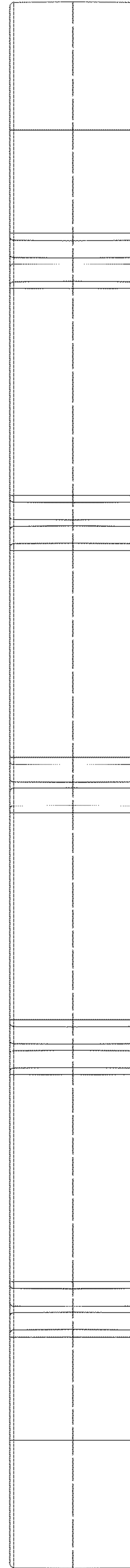


FIGURE 23



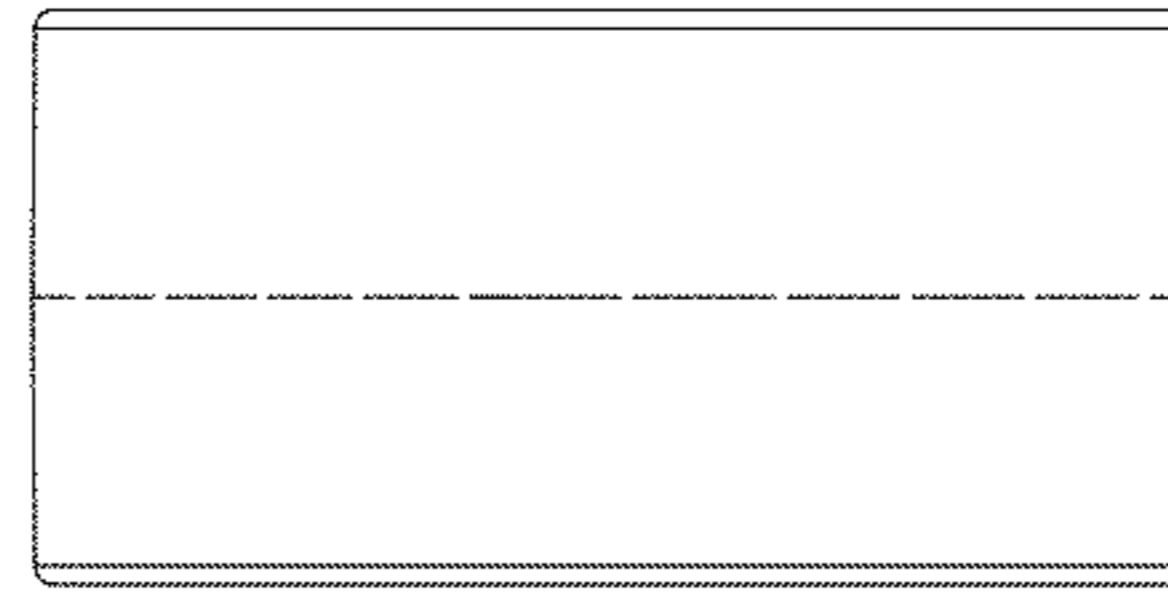


FIGURE 24

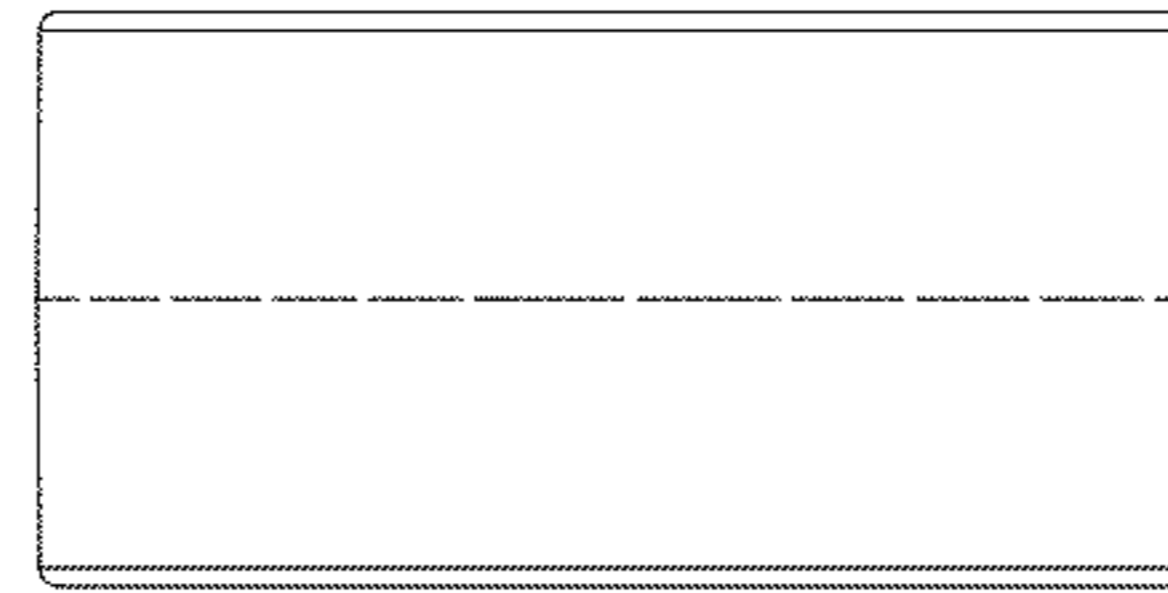


FIGURE 25

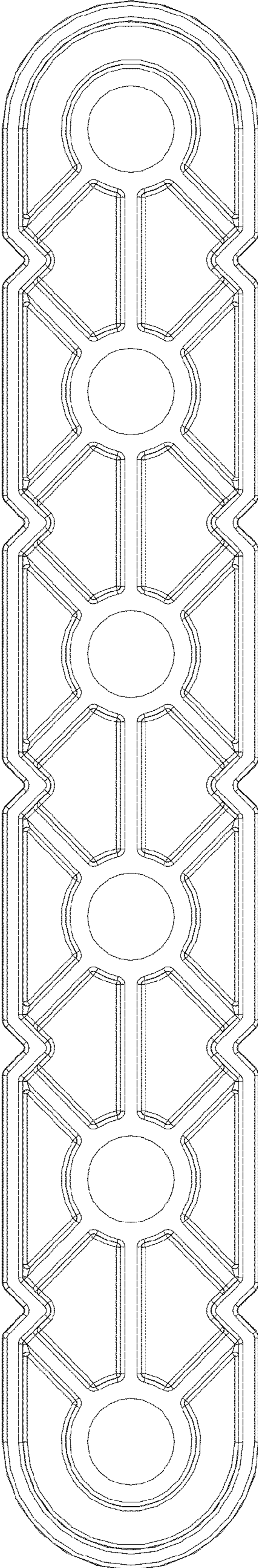


FIGURE 26

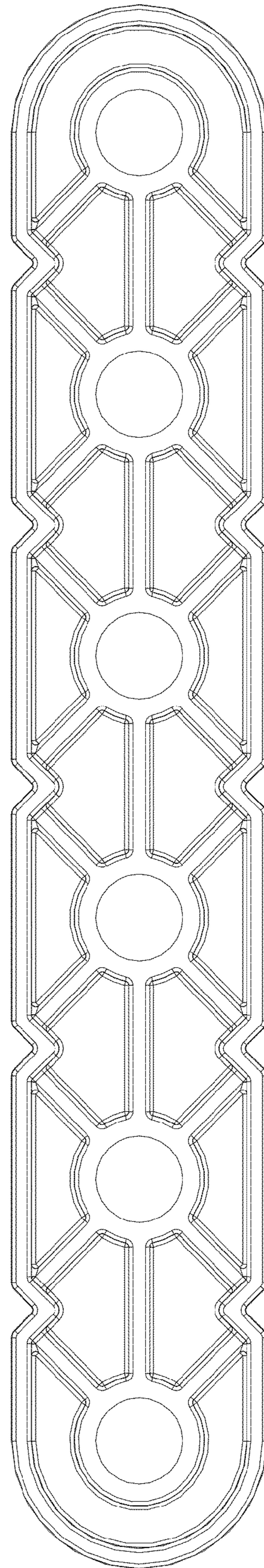


FIGURE 27

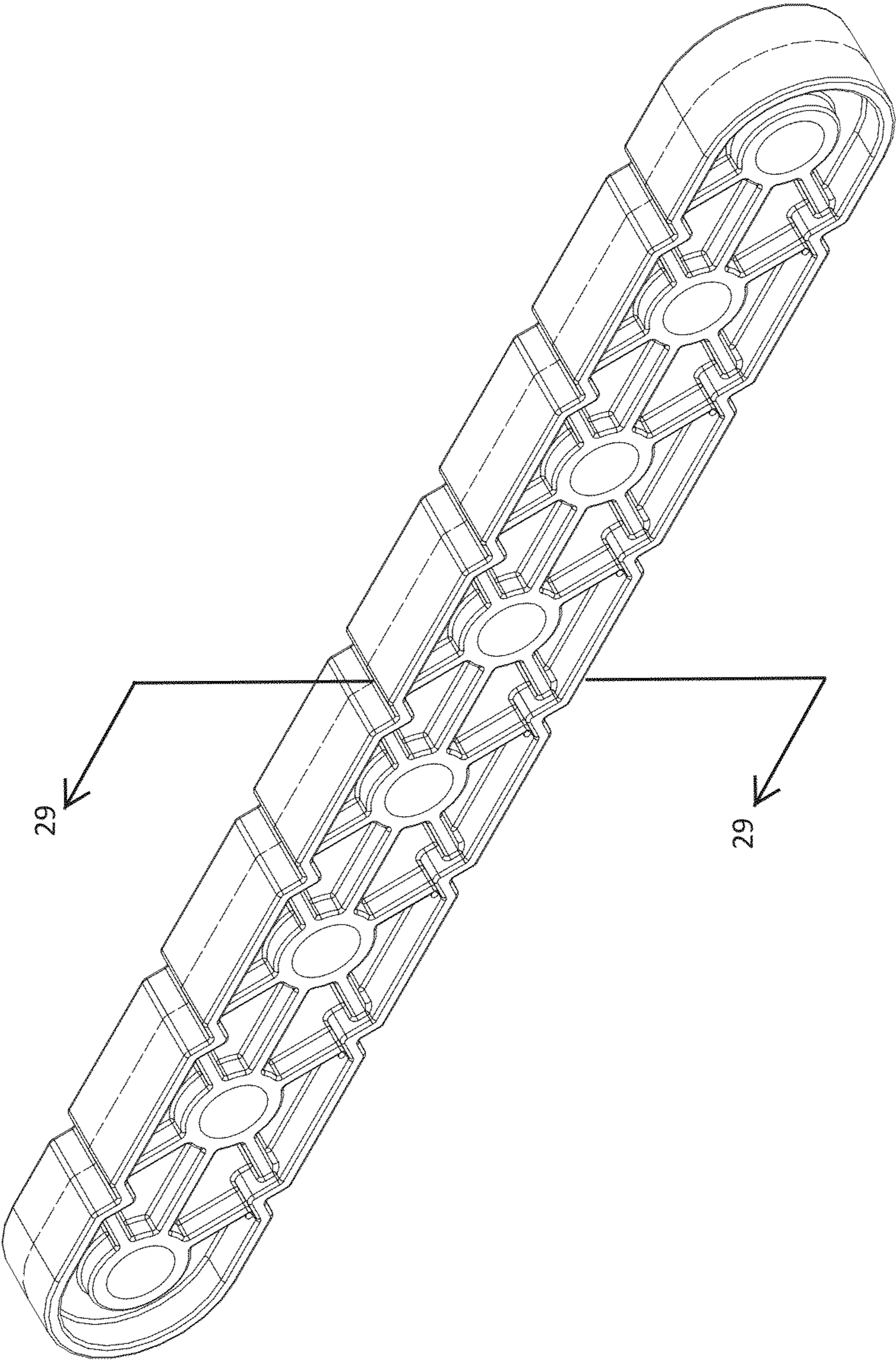


FIGURE 28

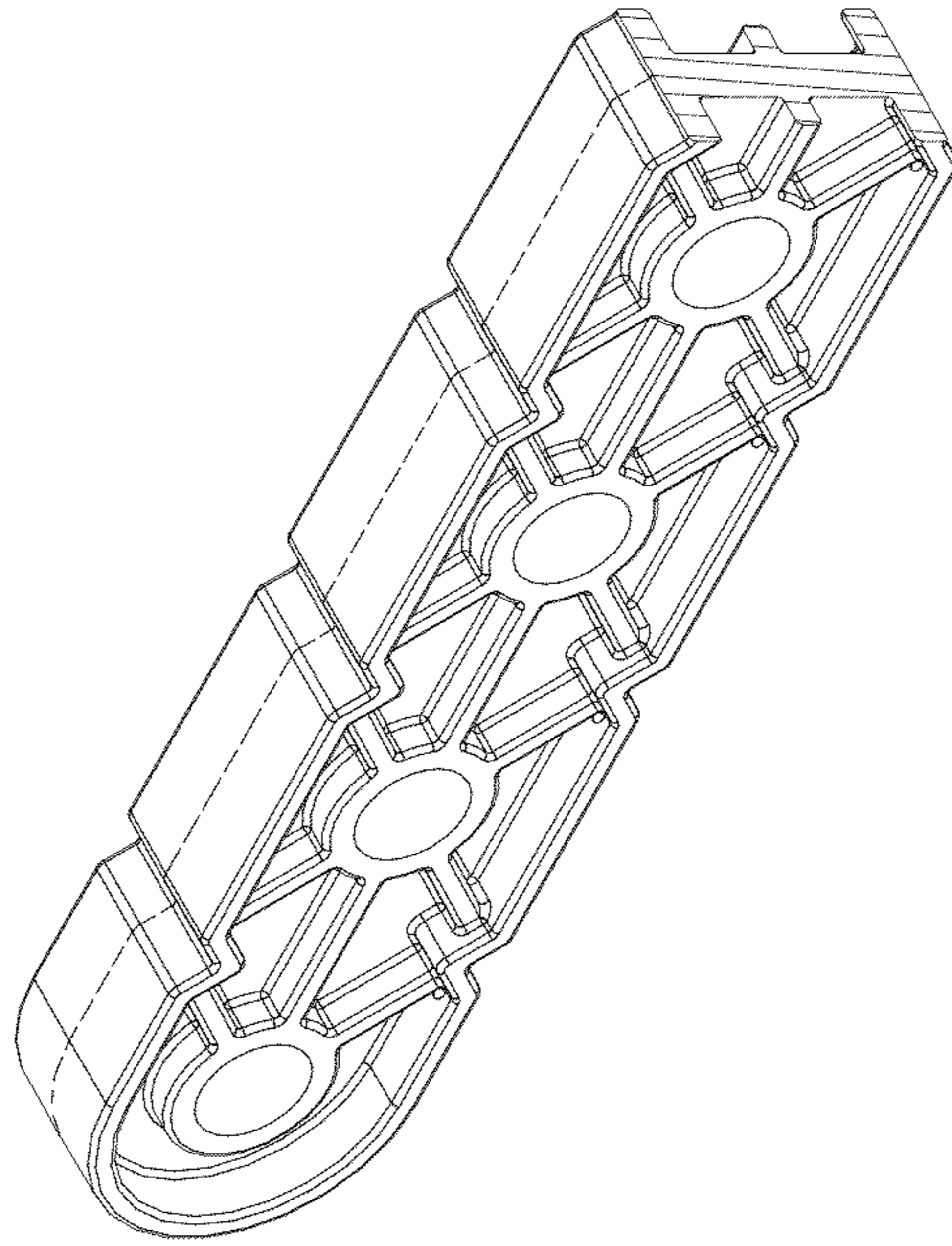


FIGURE 29

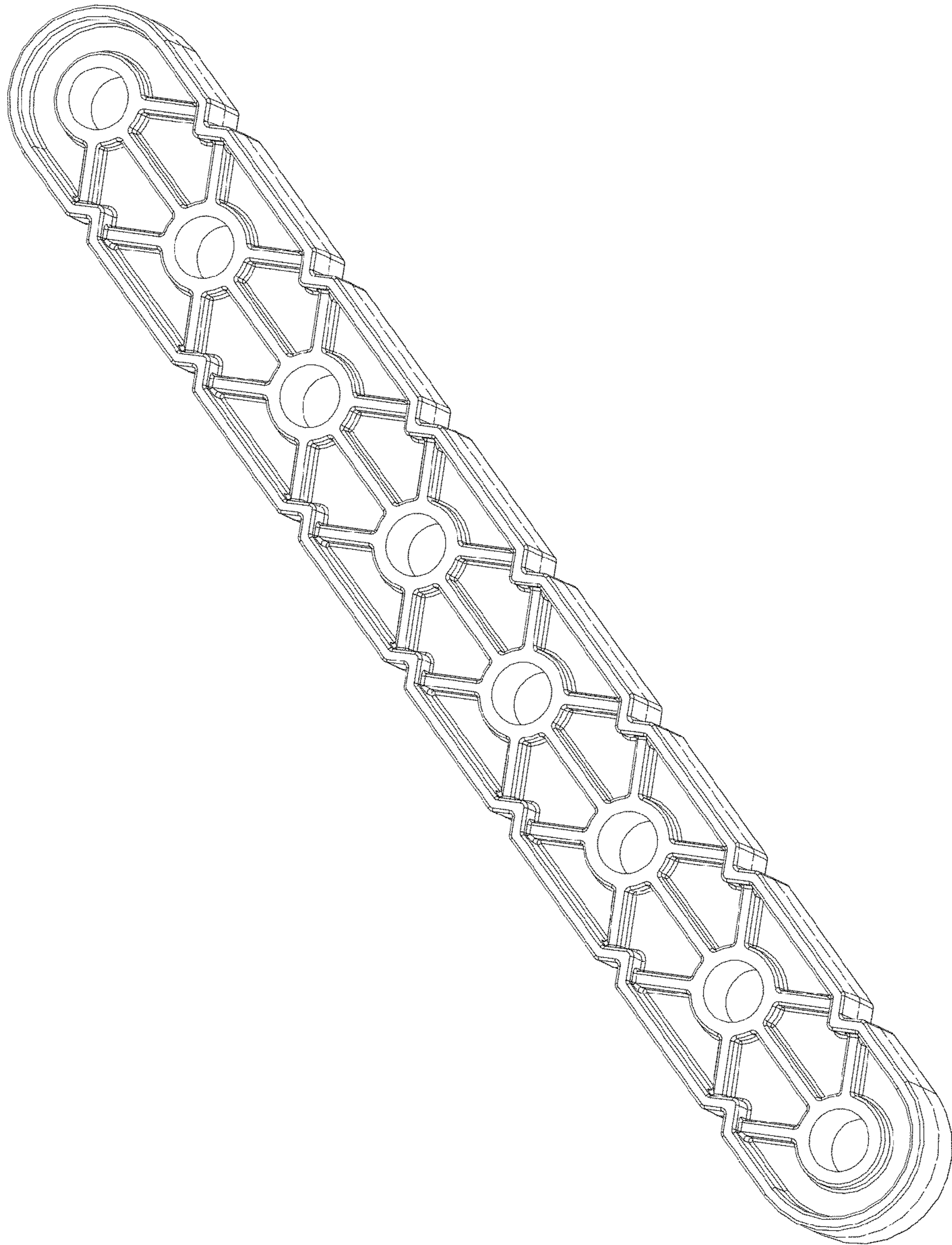


FIGURE 30

FIGURE 31

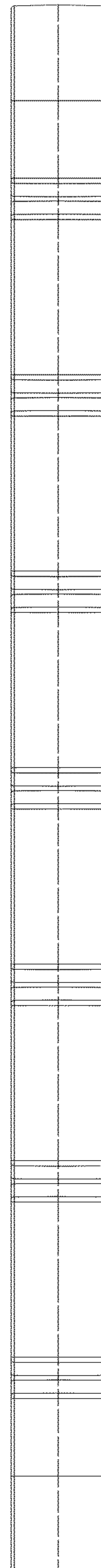
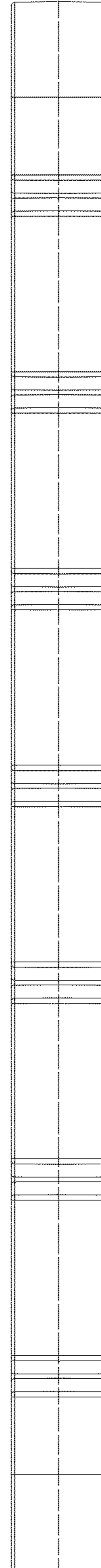


FIGURE 32



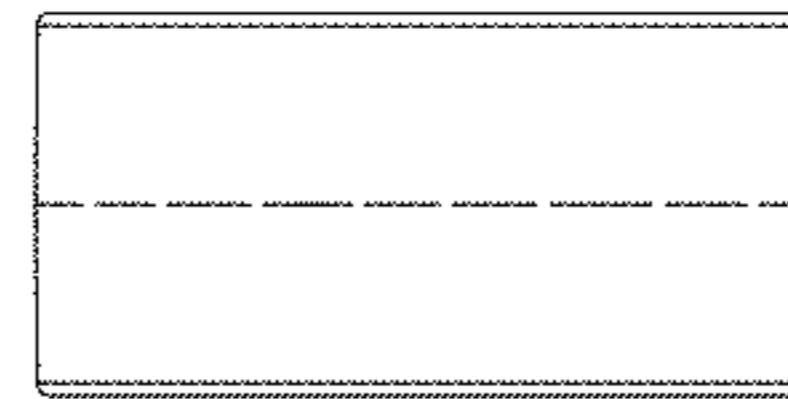


FIGURE 33



FIGURE 34

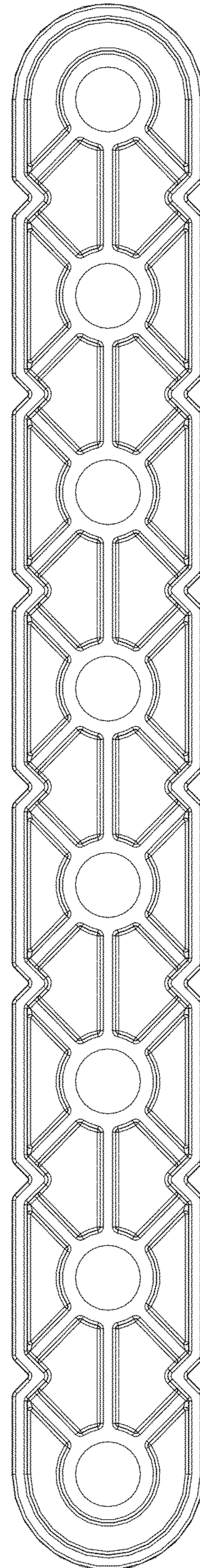


FIGURE 35

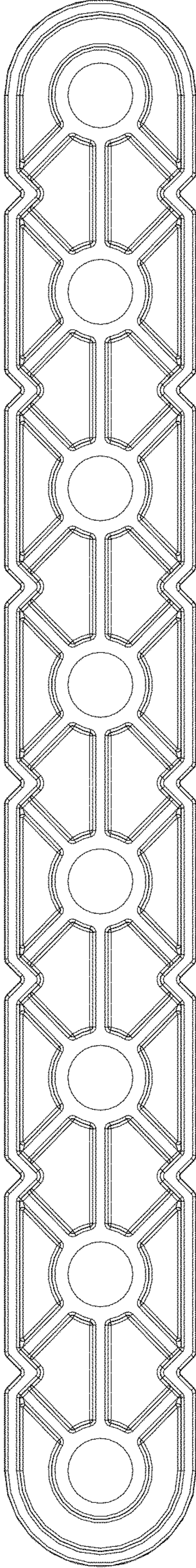


FIGURE 36

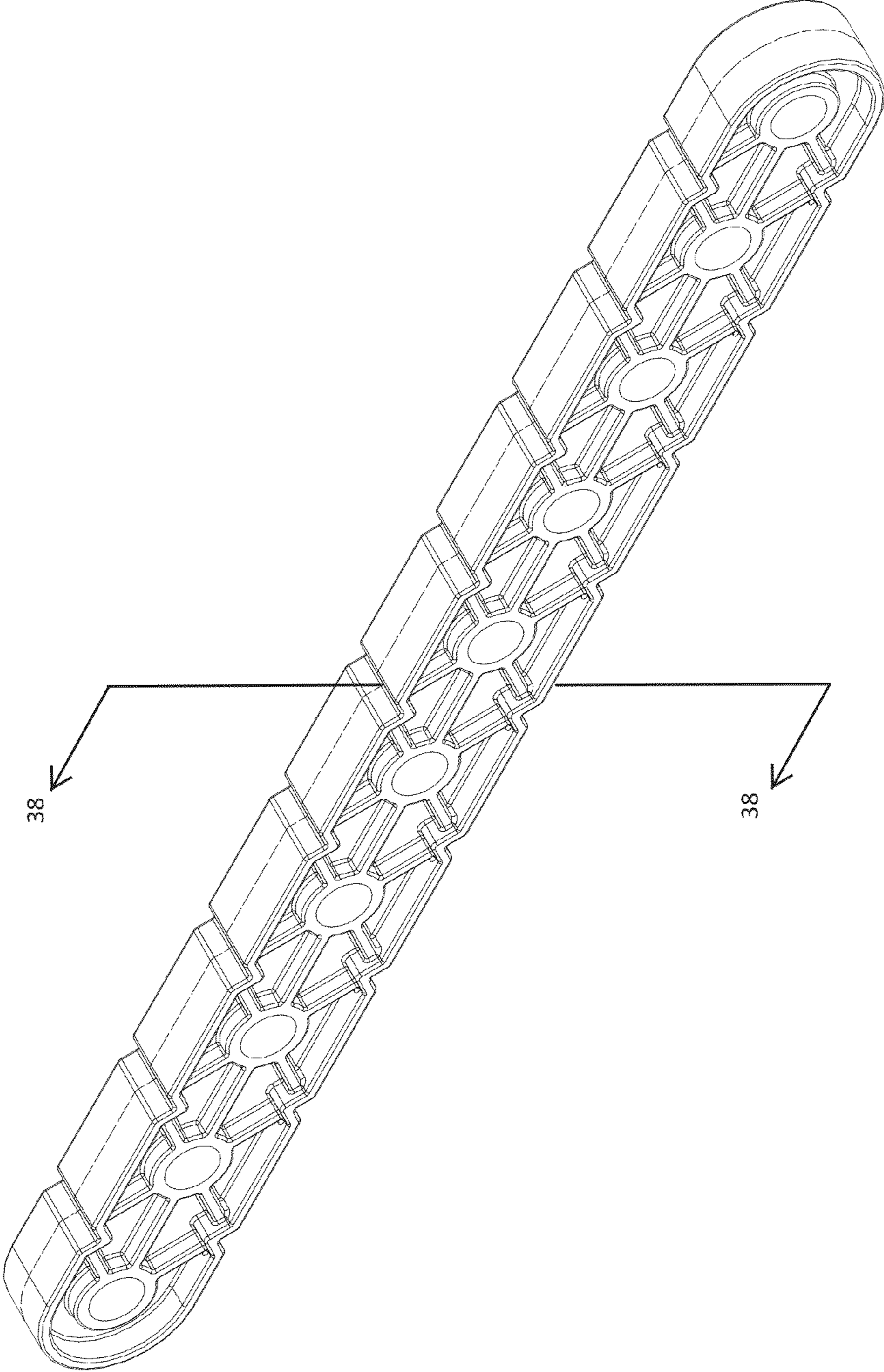


FIGURE 37

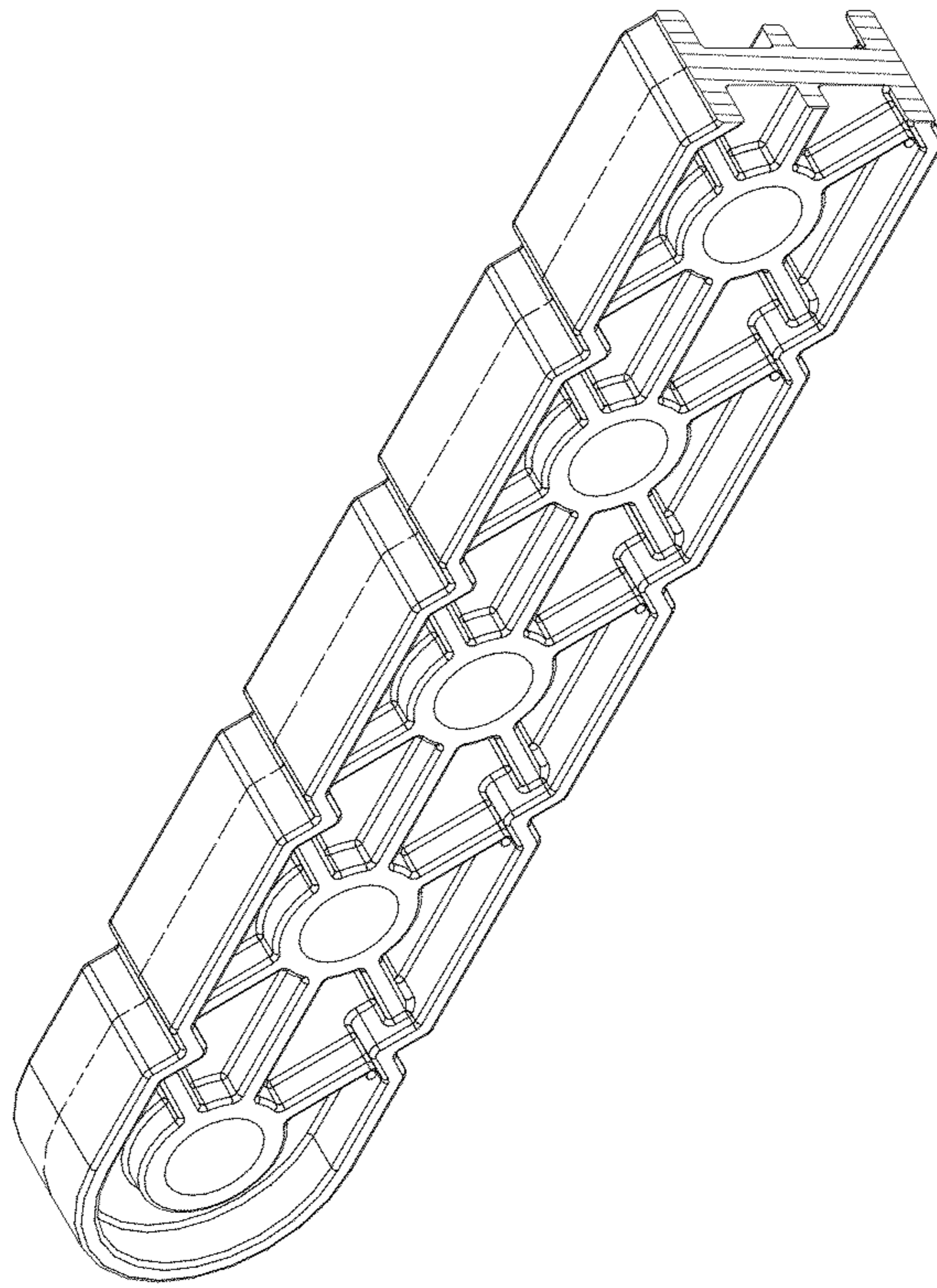


FIGURE 38

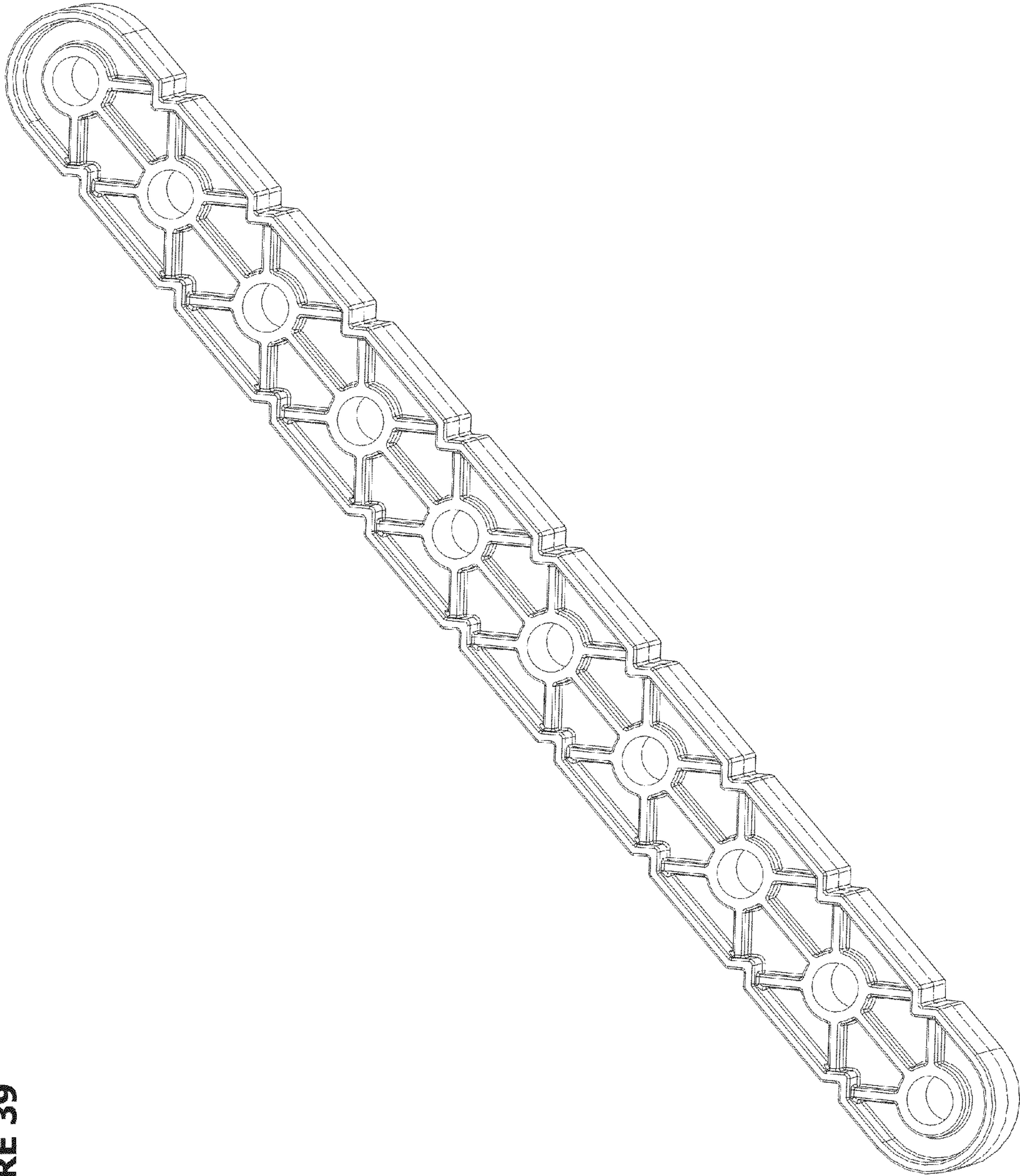


FIGURE 39

FIGURE 40

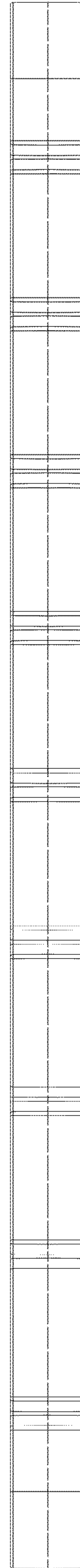


FIGURE 41





FIGURE 42



FIGURE 43

FIGURE 44

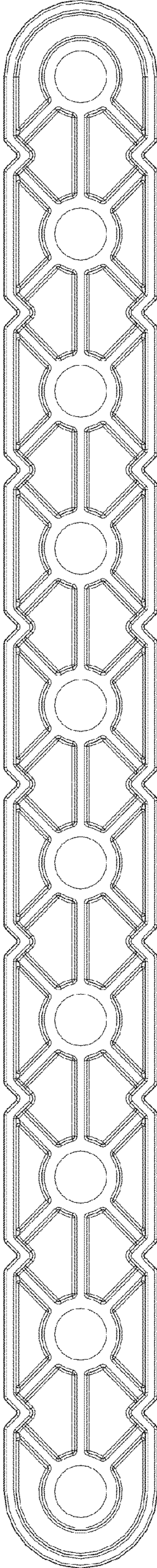
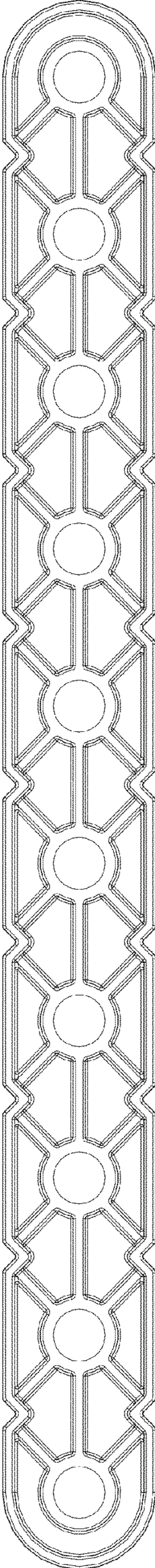


FIGURE 45



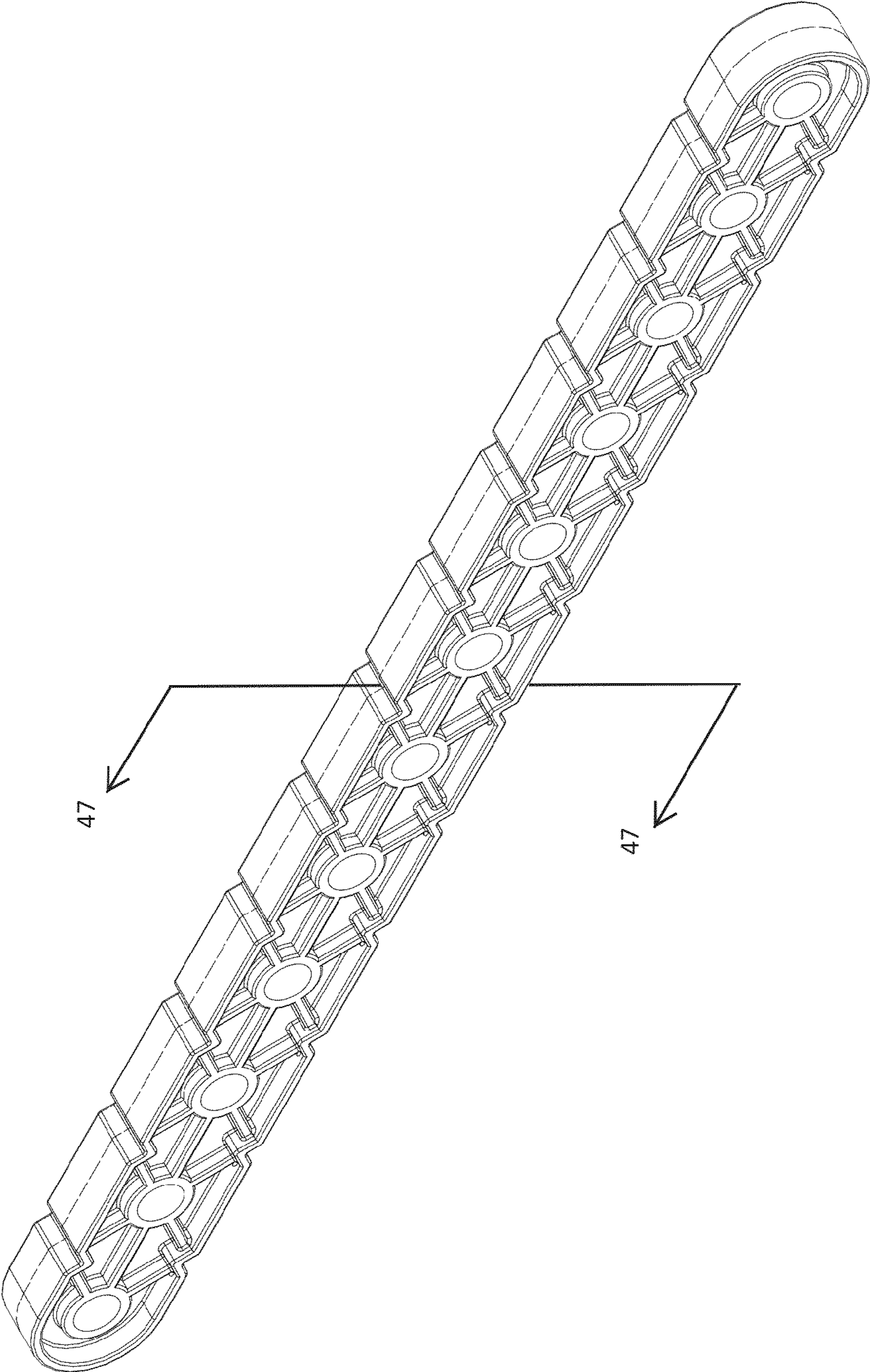


FIGURE 46

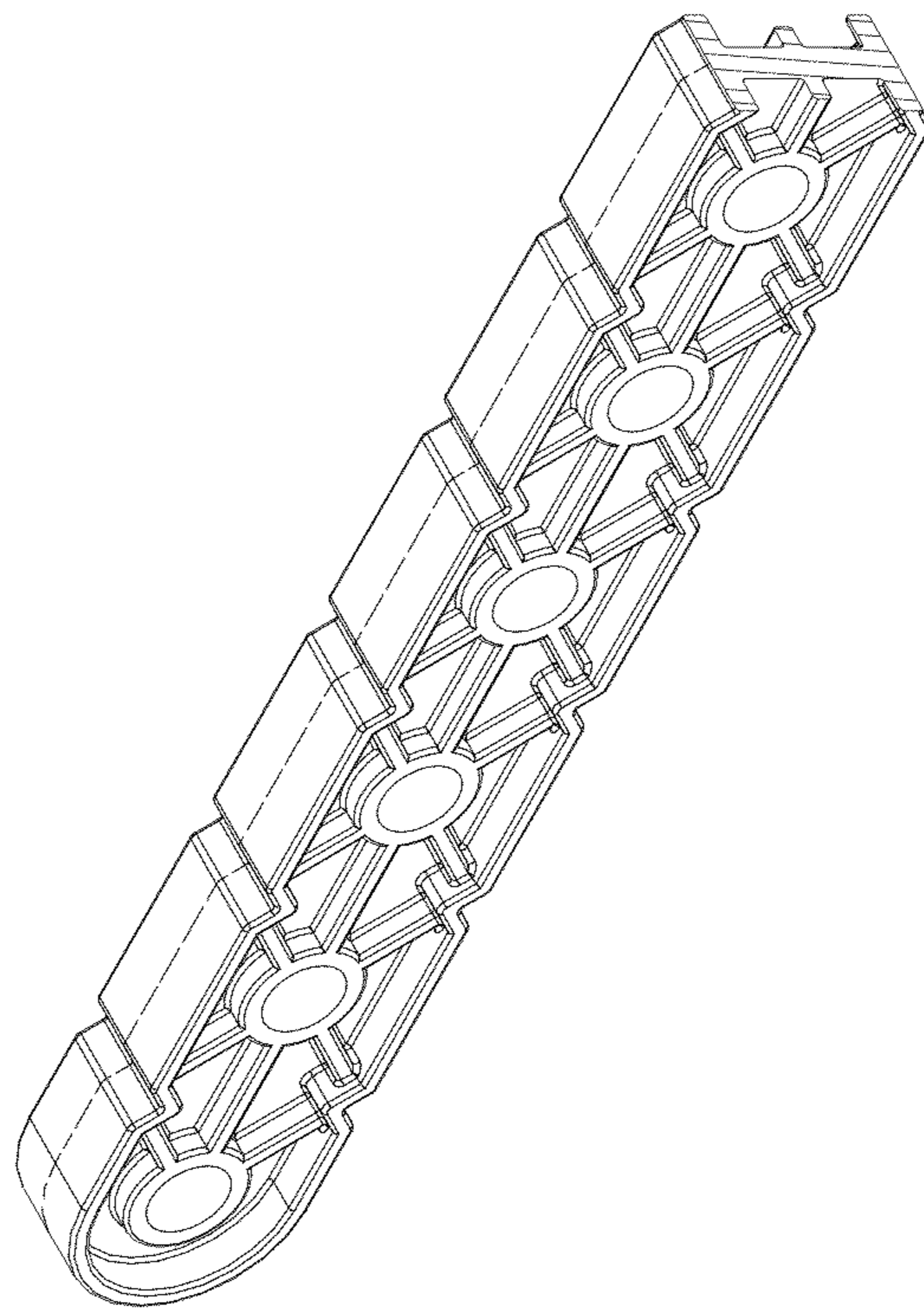


FIGURE 47

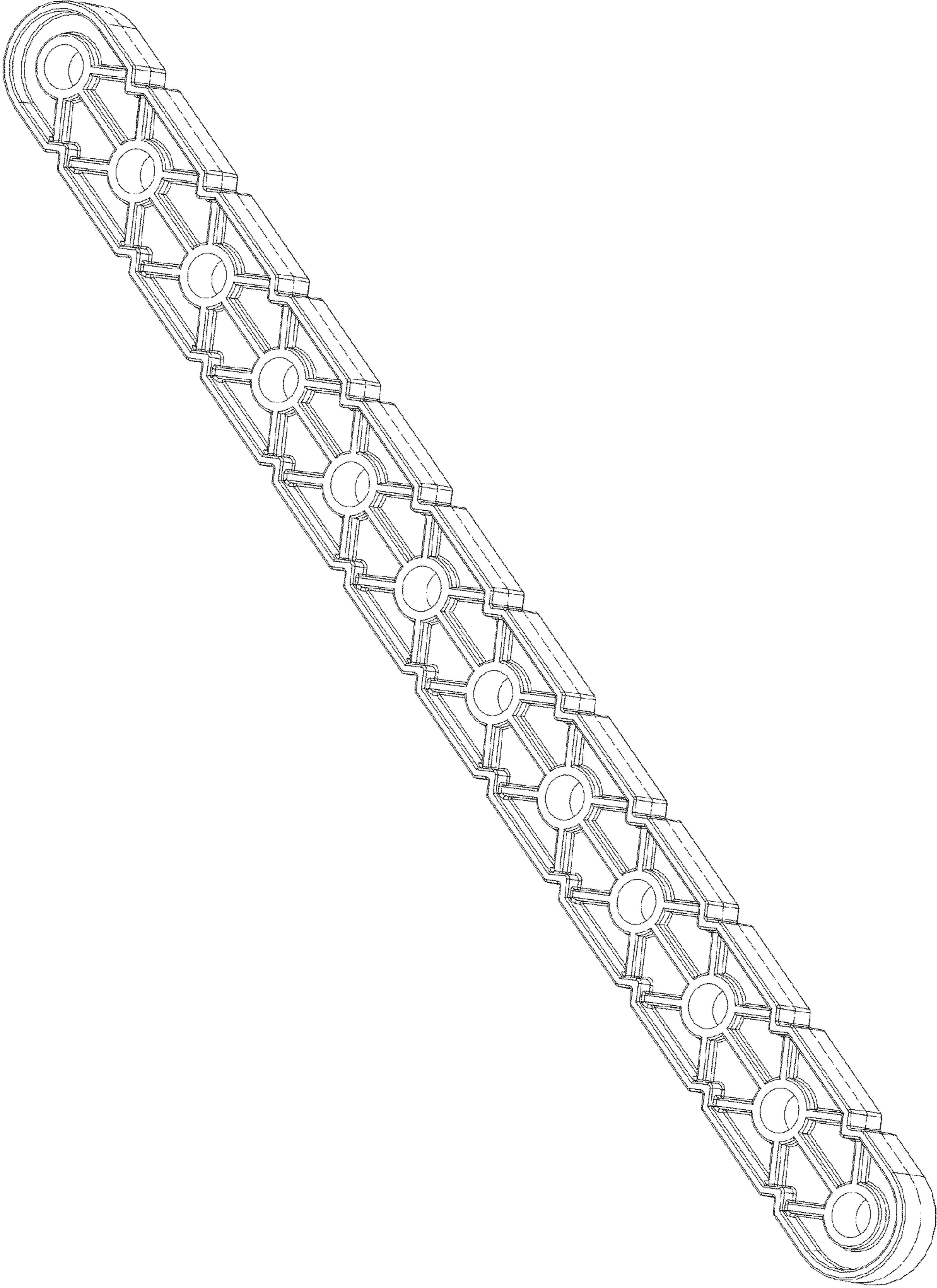


FIGURE 48

FIGURE 49

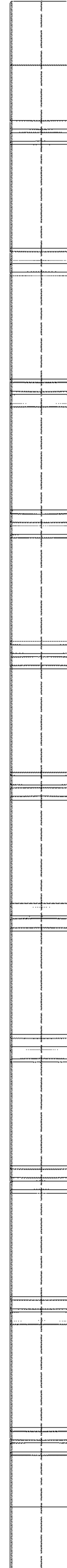
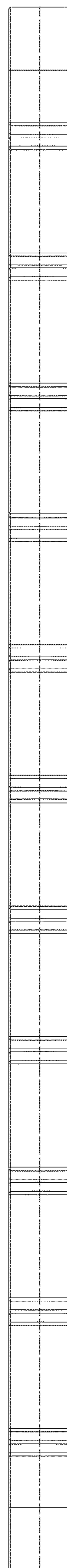


FIGURE 50



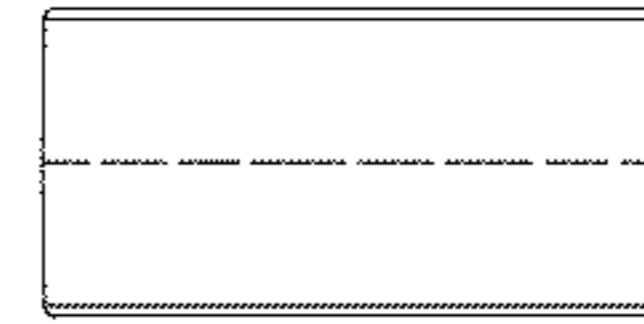


FIGURE 51

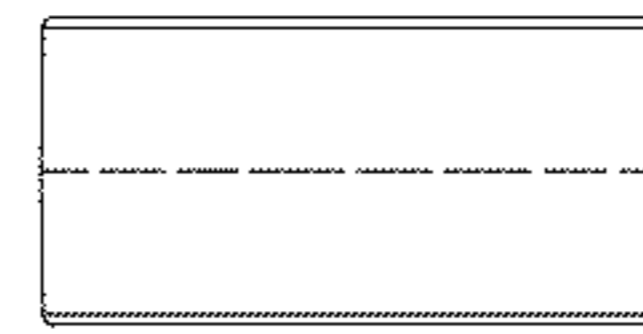


FIGURE 52

FIGURE 53

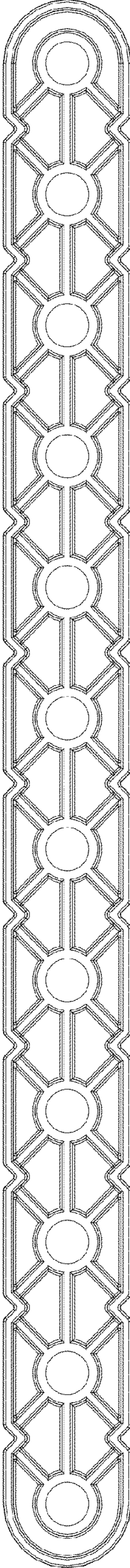
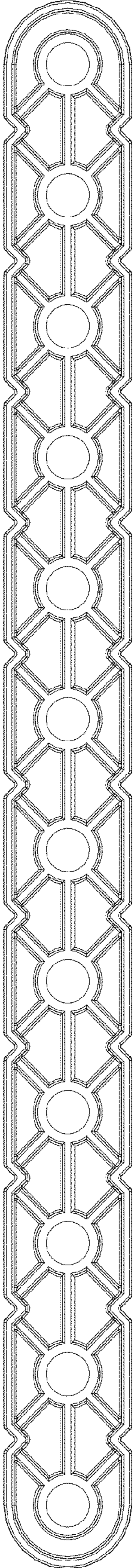


FIGURE 54



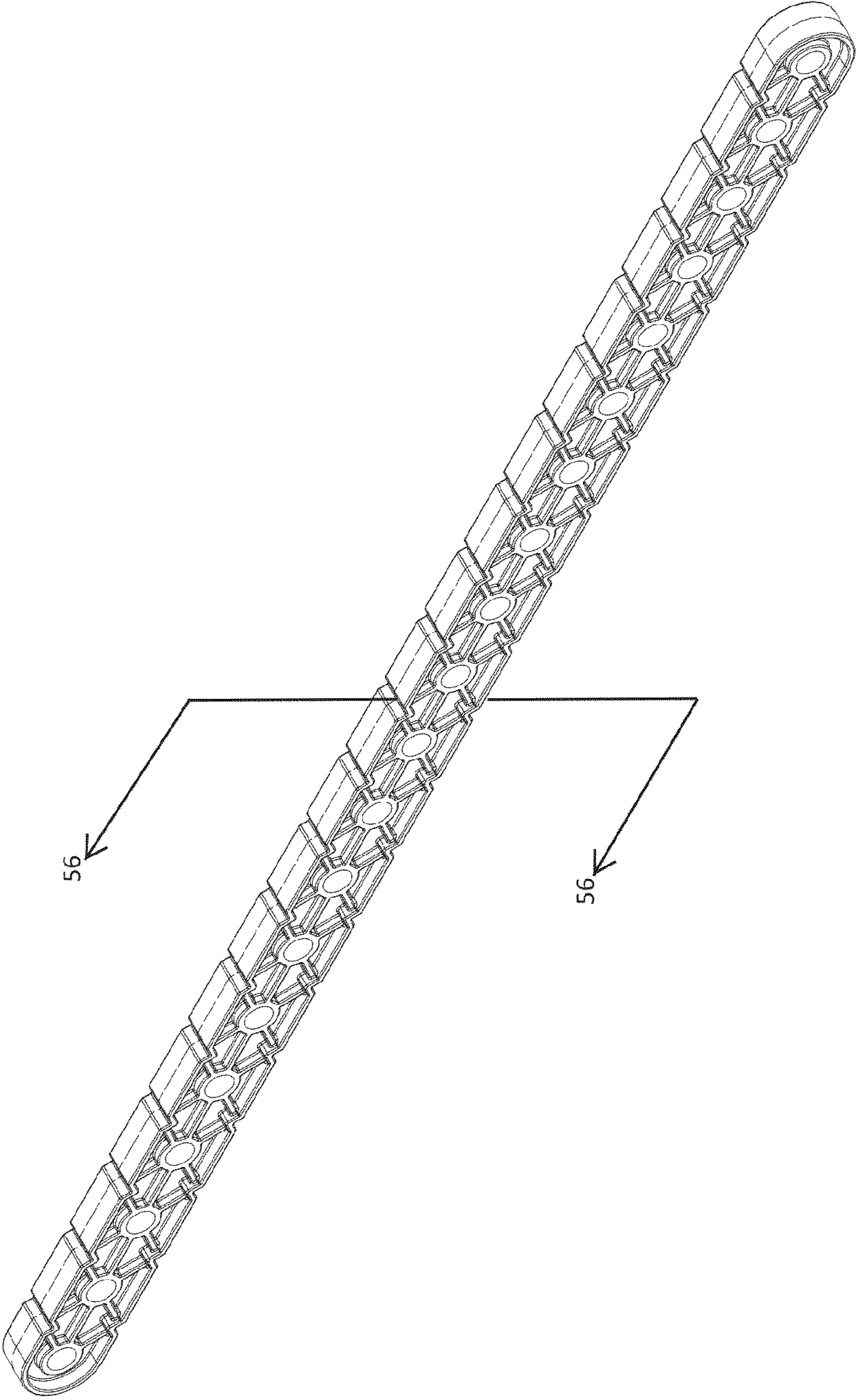


FIGURE 55

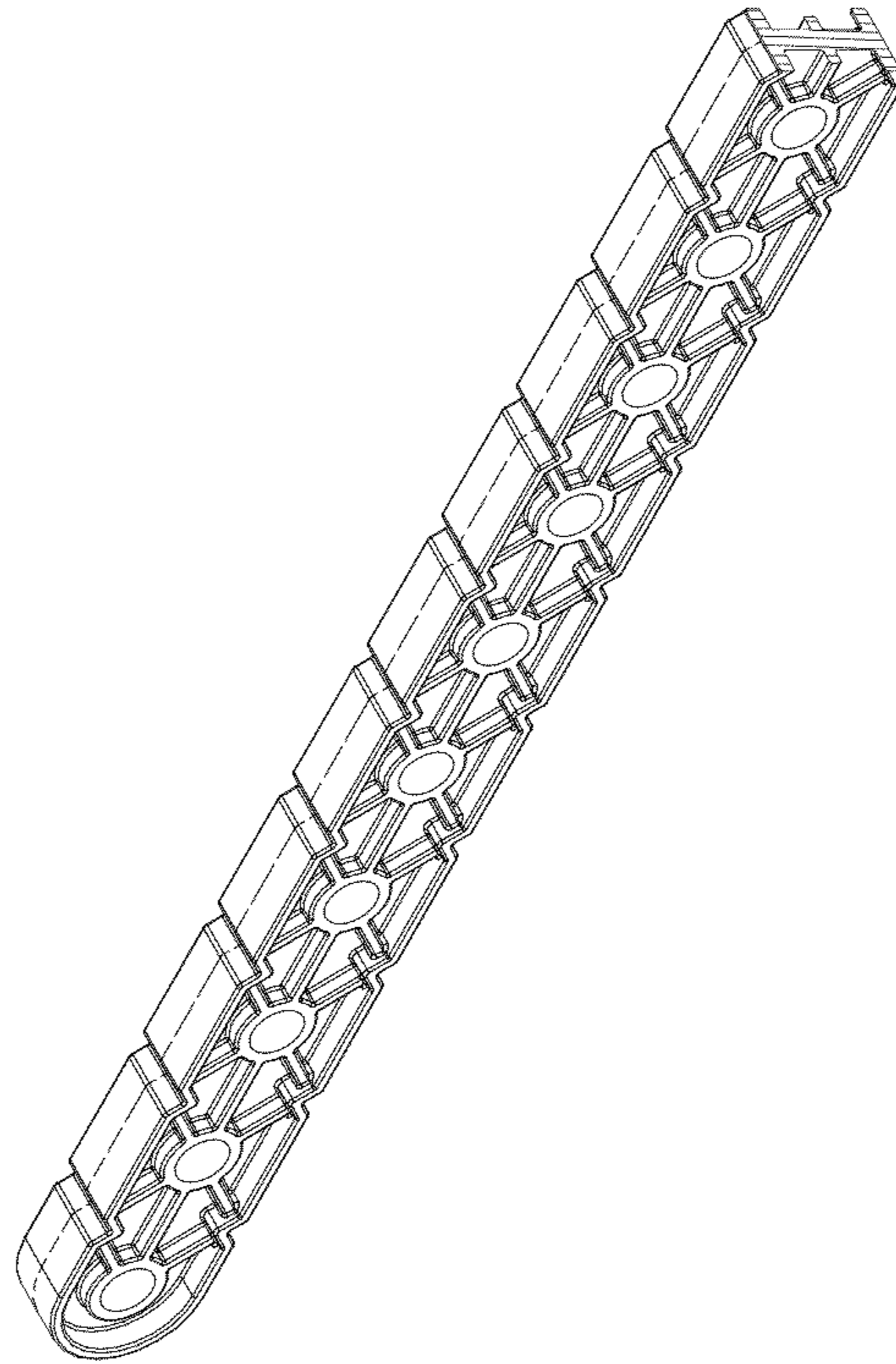


FIGURE 56



FIGURE 57

FIGURE 58



FIGURE 59

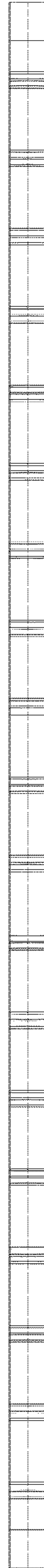




FIGURE 60



FIGURE 61

FIGURE 62

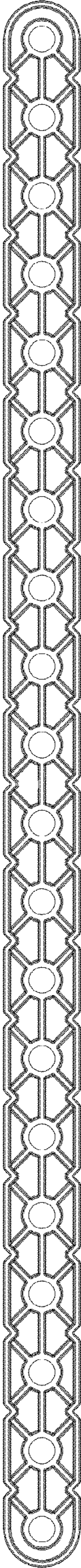


FIGURE 63

