



US00D706362S

(12) **United States Design Patent**
Norman et al.

(10) **Patent No.:** **US D706,362 S**
(45) **Date of Patent:** **** Jun. 3, 2014**

- (54) **PIN CONNECTOR COMPONENT FOR A CONSTRUCTION KIT**
- (71) Applicant: **Innovation First, Inc.**, Greenville, TX (US)
- (72) Inventors: **David Anthony Norman**, Greenville, TX (US); **Robert H. Mimplitch, III**, Rowlett, TX (US); **Paul David Copioli**, Rockwall, TX (US); **Gregory James Lavender**, Rockwall, TX (US); **Aren Calder Hill**, Rockford, IL (US); **Douglas Michael Galletti**, Allen, TX (US); **John Edward Vielkind-Neun**, Rockwall, TX (US); **Arthur Philip Dutra, IV**, Greenville, TX (US)
- (73) Assignee: **Innovation First, Inc.**, Greenville, TX (US)
- (**) Term: **14 Years**

- (21) Appl. No.: **29/451,493**
- (22) Filed: **Apr. 3, 2013**
- (51) **LOC (10) Cl.** **21-01**
- (52) **U.S. Cl.**
USPC **D21/487**
- (58) **Field of Classification Search**
USPC D21/484-505; D8/382; 273/153, 156;
446/69, 85, 102-128; 434/259
See application file for complete search history.

- (56) **References Cited**
U.S. PATENT DOCUMENTS
2,885,822 A * 5/1959 Onanian 446/121
D236,521 S * 8/1975 Christiansen D21/658

D278,143 S *	3/1985	Hill	D8/354
D367,897 S *	3/1996	Schmidt et al.	D21/486
D373,153 S *	8/1996	Madsen	D21/487
D409,677 S *	5/1999	Jensen	D21/487
D550,308 S *	9/2007	Glickman et al.	D21/486
D553,203 S *	10/2007	Glickman et al.	D21/487
D563,485 S *	3/2008	Glickman	D21/484
7,736,211 B2 *	6/2010	Marzetta	446/122
7,942,717 B2 *	5/2011	Chou	446/91
D686,675 S *	7/2013	Jensen	D21/487

* cited by examiner

Primary Examiner — Cynthia M Chin
(74) *Attorney, Agent, or Firm* — Adam K. Sacharoff; Much Shelist

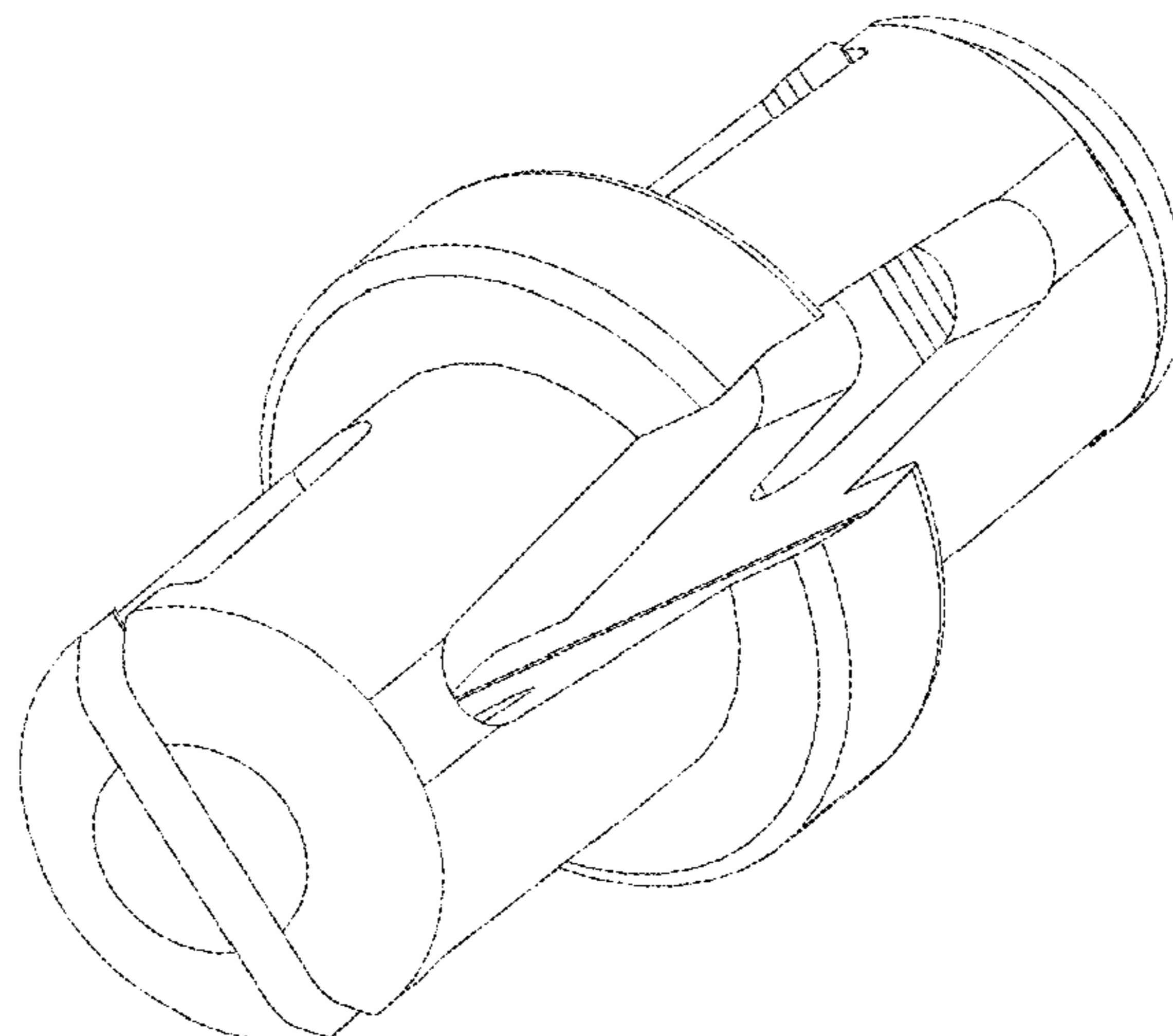
(57) **CLAIM**

The ornamental design for a pin connector component for a construction kit, as shown and described.

DESCRIPTION

FIG. 1 is a front-top perspective view of a pin connector component for a construction kit in accordance with a First Embodiment;
FIG. 2 is a cross-sectional view of FIG. 1 taken of line 2-2 from FIG. 1;
FIG. 3 is a rear-bottom perspective view of FIG. 1;
FIG. 4 is a top side perspective view of FIG. 1;
FIG. 5 is a bottom side view of FIG. 1;
FIG. 6 is a right side view of FIG. 1;
FIG. 7 is a left side view of FIG. 1;
FIG. 8 is a front side view of FIG. 1; and,
FIG. 9 is a rear side view of FIG. 1.

1 Claim, 9 Drawing Sheets



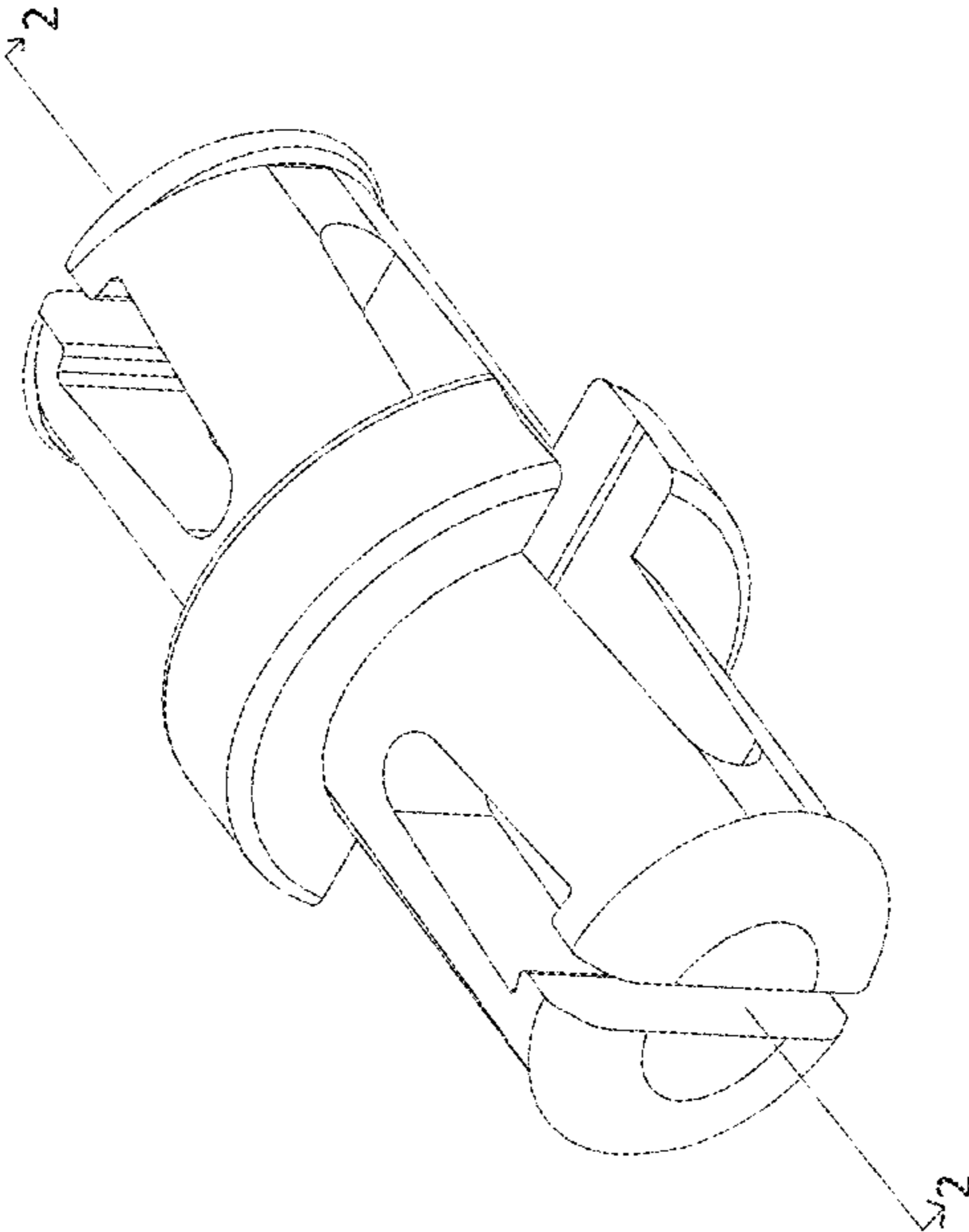


FIGURE 1

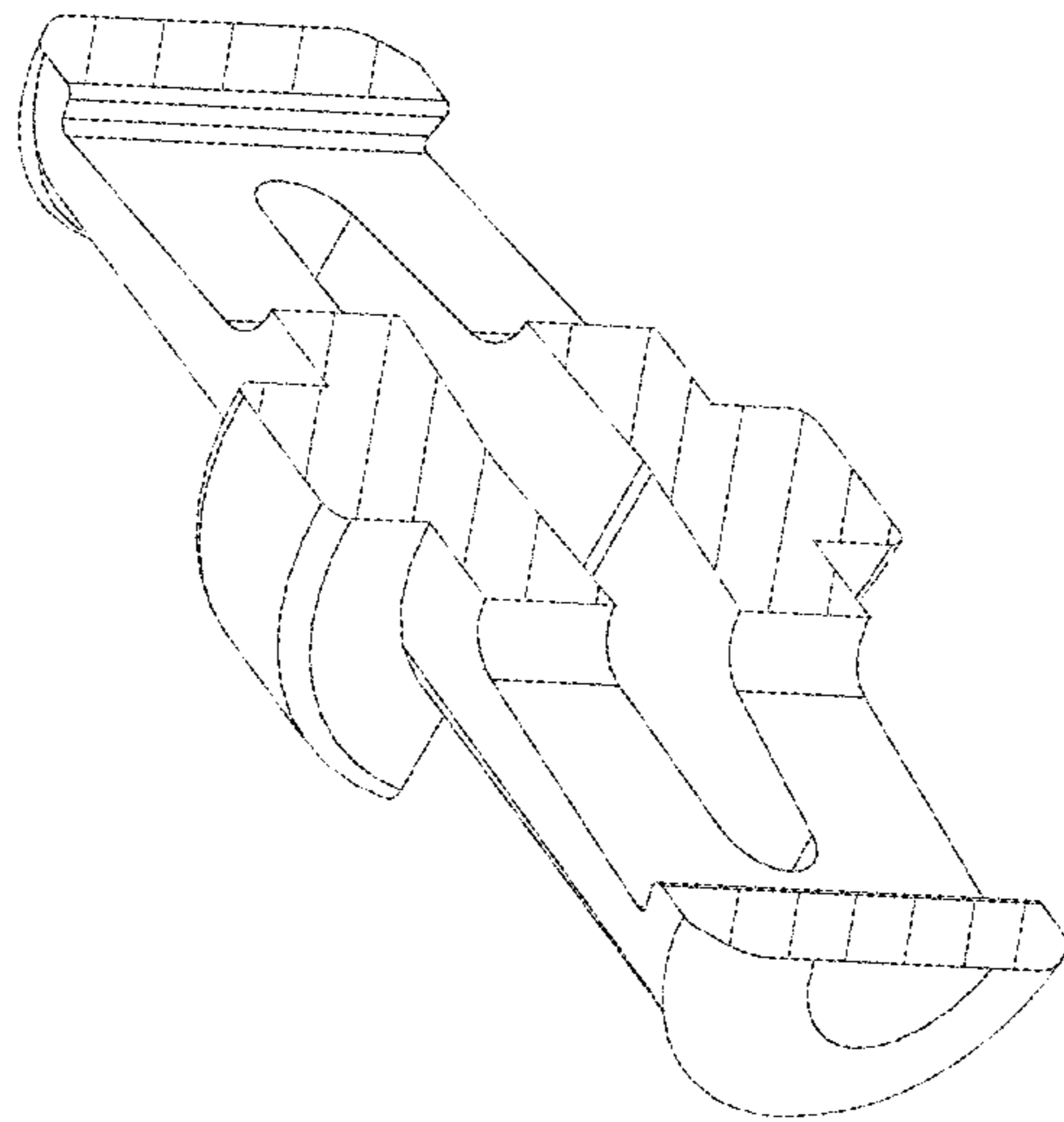


FIGURE 2

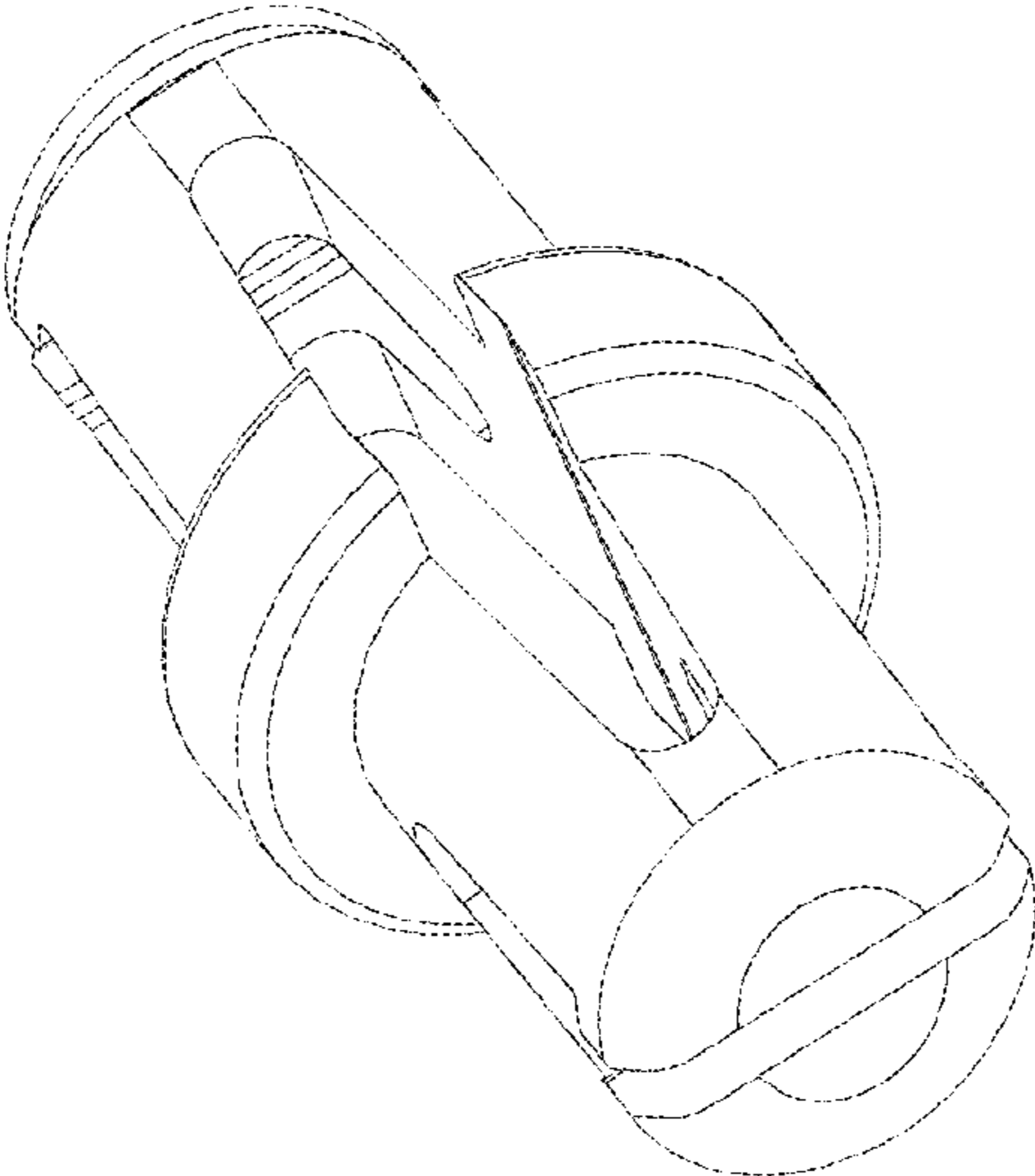


FIGURE 3

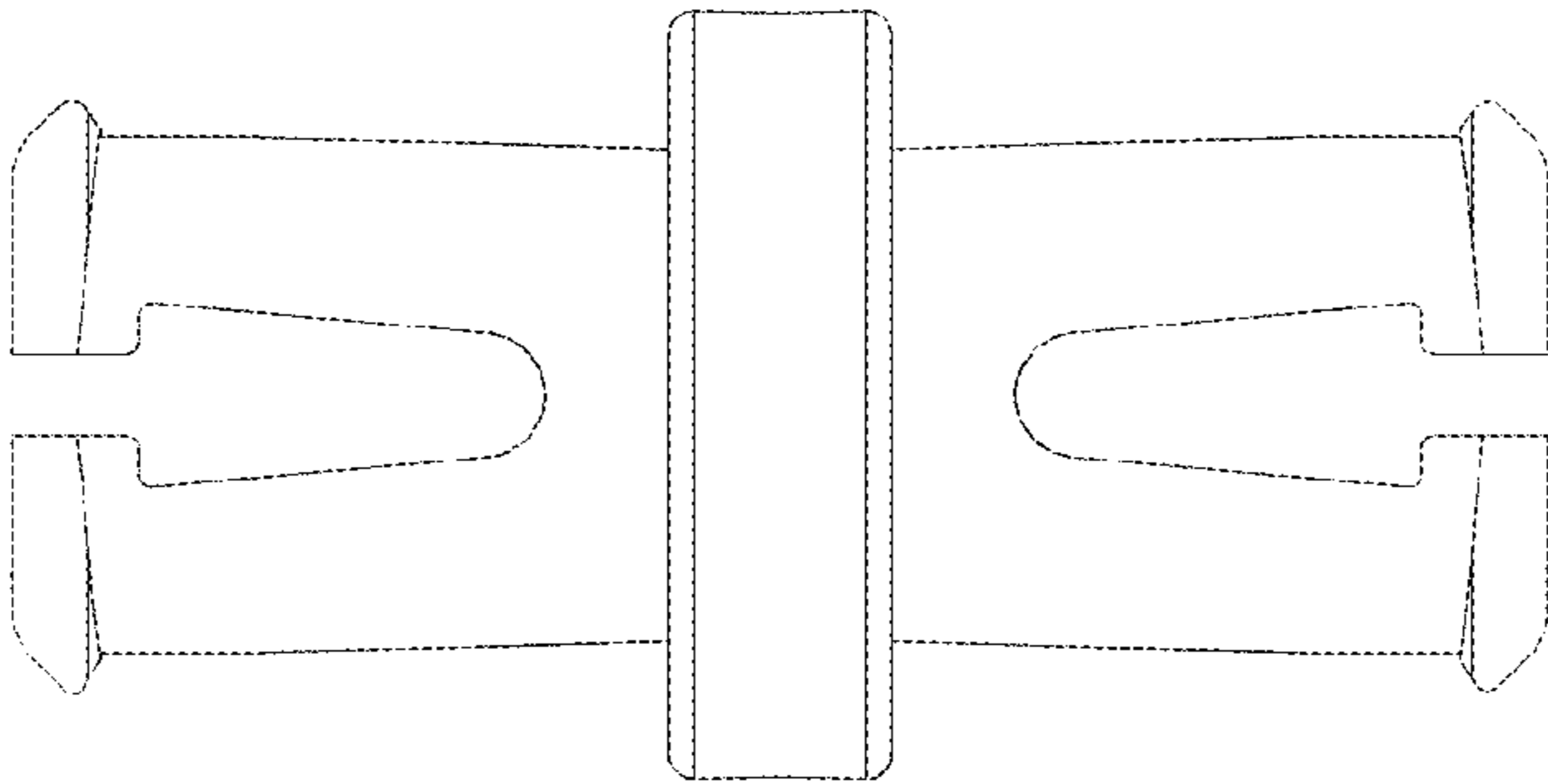


FIGURE 4

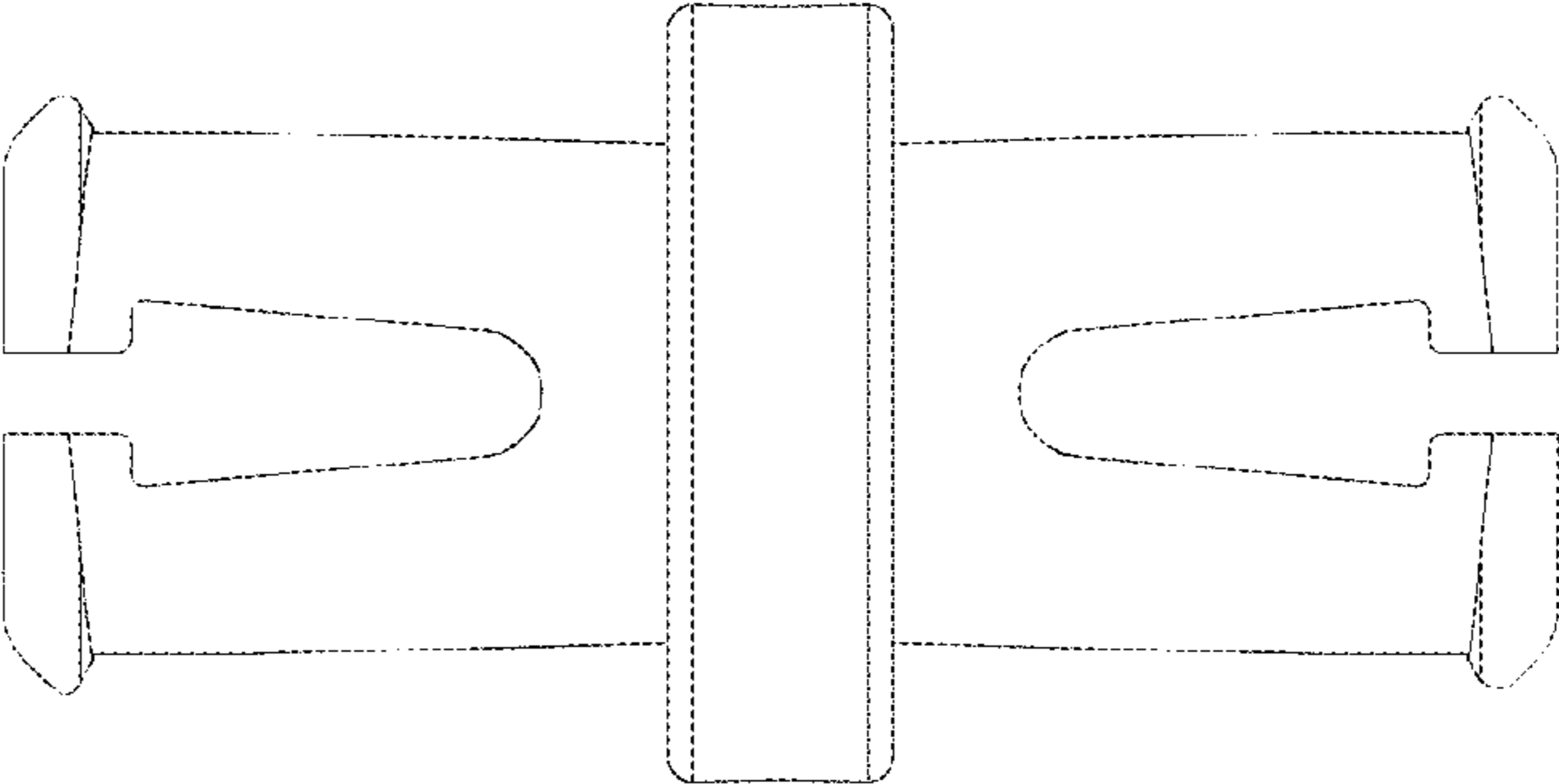


FIGURE 5

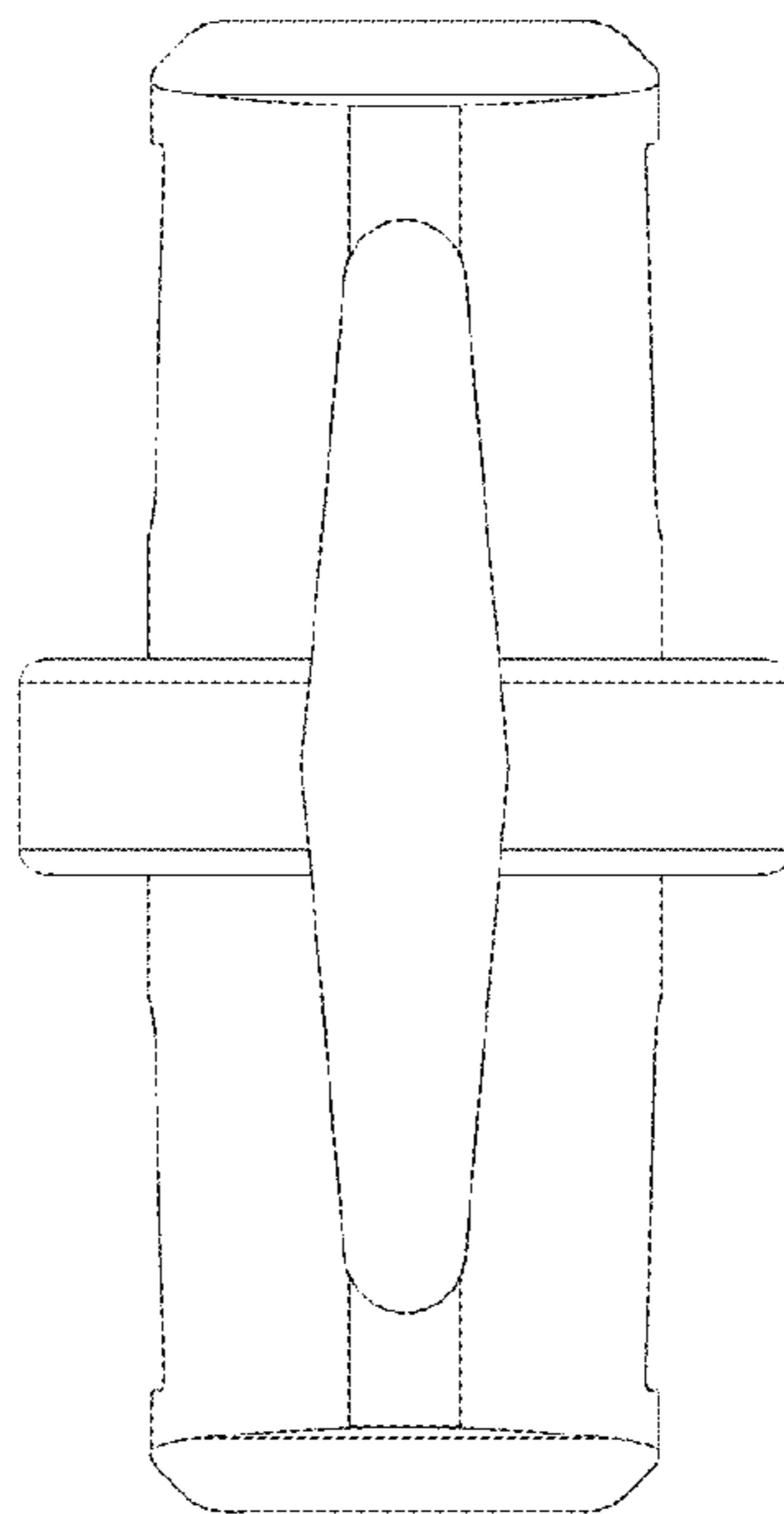


FIGURE 6

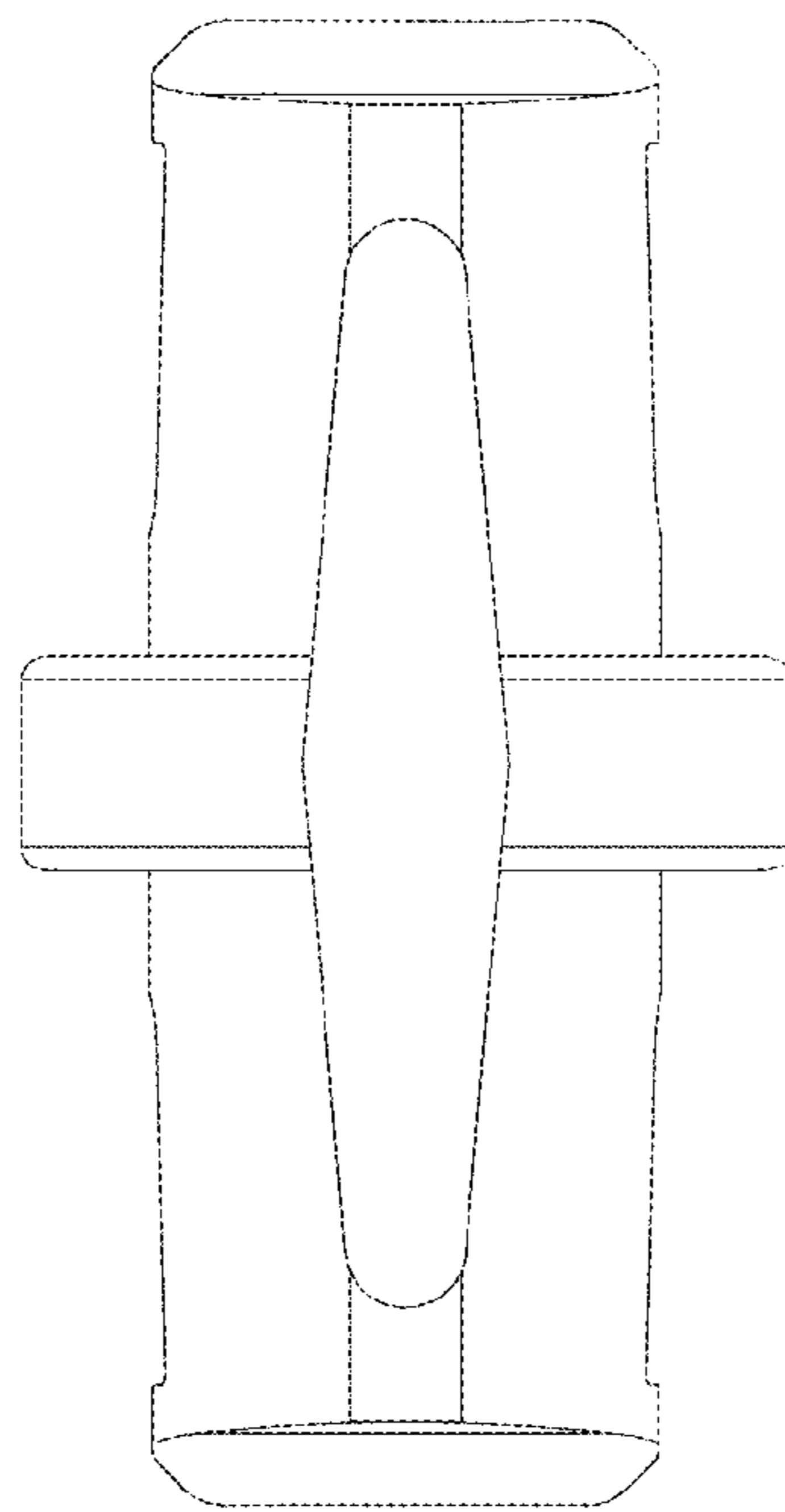


FIGURE 7

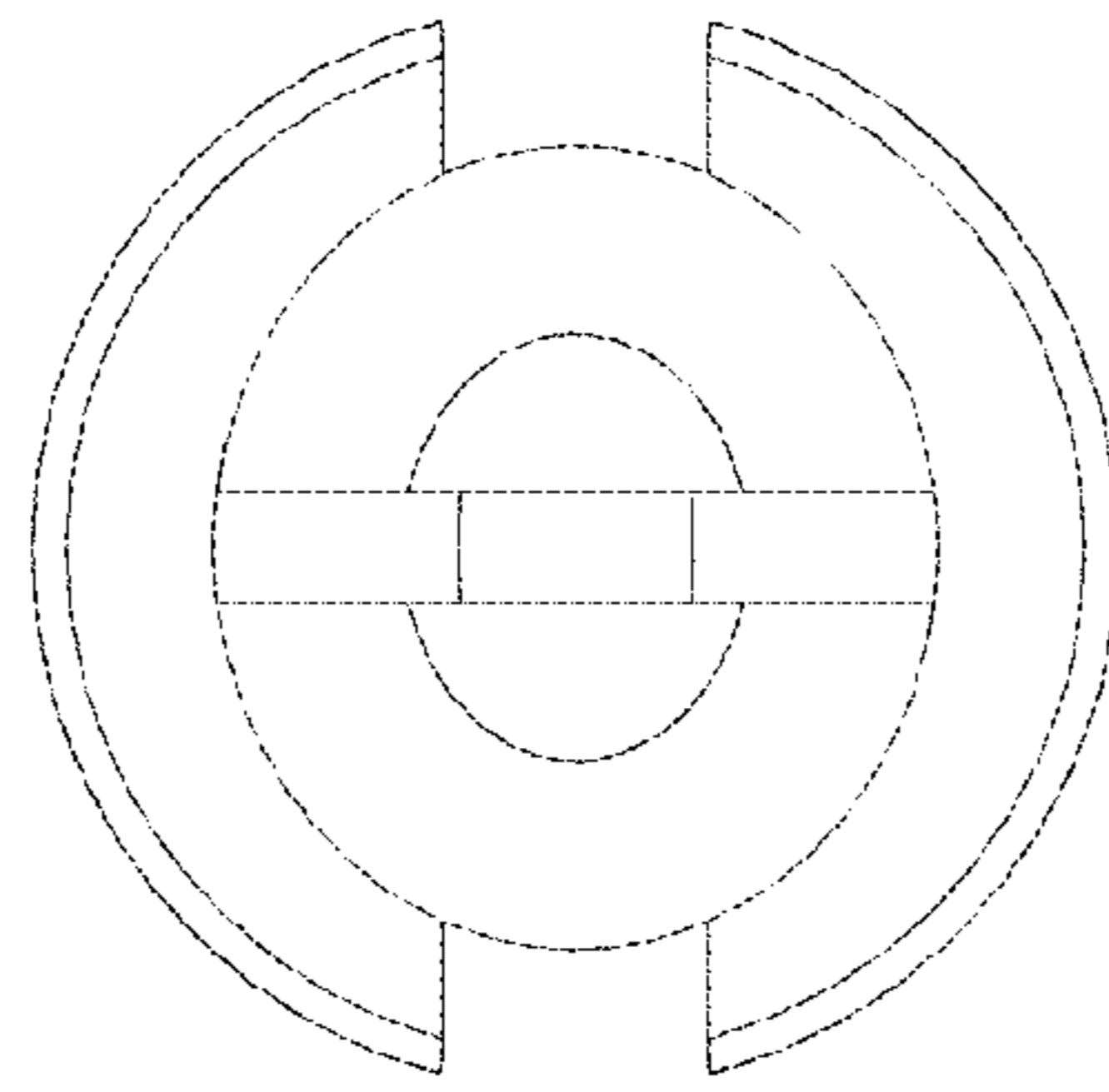


FIGURE 8

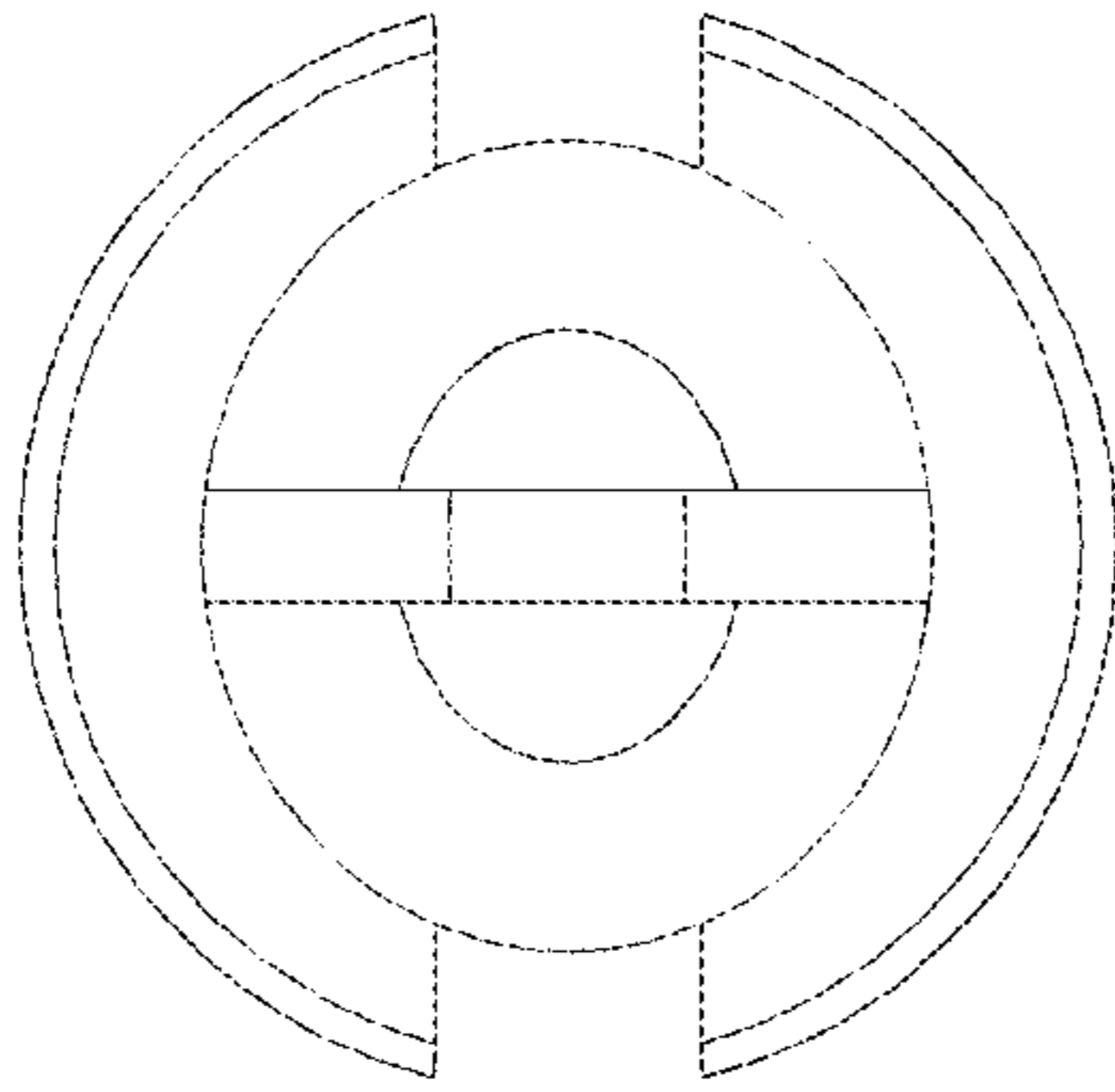


FIGURE 9