



US00D706361S

(12) **United States Design Patent**  
**Giovannone, Sr.**

(10) **Patent No.:** **US D706,361 S**

(45) **Date of Patent:** **\*\* Jun. 3, 2014**

- (54) **SIMULATIVE MODEL ROCKET**
- (75) Inventor: **Vincent Mark Giovannone, Sr.**,  
Latham, NY (US)
- (73) Assignee: **Vincent M Giovannone**, Latham, NY  
(US)
- (\*\*) Term: **14 Years**
- (21) Appl. No.: **29/395,771**
- (22) Filed: **Mar. 29, 2012**
- (51) **LOC (10) Cl.** ..... **21-01**
- (52) **U.S. Cl.**  
USPC ..... **D21/452; D12/16.1**
- (58) **Field of Classification Search**  
USPC ..... D21/436, 438, 447, 451, 452, 453, 483;  
D11/96; D29/126; D6/515; D12/16.1,  
D12/319, 326, 343, 345; 446/34, 52, 93,  
446/197, 212; 124/64, 73; 401/195;  
473/585

D282,109	S	*	1/1986	Golden et al.	.....	D29/126
4,687,455	A	*	8/1987	Sculatti	.....	446/52
D328,620	S	*	8/1992	Maple	.....	D21/483
5,169,253	A	*	12/1992	Tsao	.....	401/195
D351,432	S	*	10/1994	Dudeck et al.	.....	D21/452
6,022,260	A	*	2/2000	Fritzel	.....	446/93
6,321,737	B1	*	11/2001	Johnson et al.	.....	124/73
6,460,531	B1	*	10/2002	Gourley et al.	.....	124/64
D480,243	S	*	10/2003	Edwards et al.	.....	D6/515
6,926,576	B1	*	8/2005	Alway et al.	.....	446/34
7,601,046	B2	*	10/2009	Chang	.....	446/212
D627,010	S	*	11/2010	Routzong	.....	D21/452

\* cited by examiner

*Primary Examiner* — Caron D Veynar  
*Assistant Examiner* — Martie K Holtje

See application file for complete search history.

(56) **References Cited**

U.S. PATENT DOCUMENTS

D30,931	S	*	6/1899	Baily	.....	D11/96
948,177	A	*	2/1910	Lehmann	.....	473/585
D184,209	S	*	1/1959	Green	.....	D12/16.1
2,993,297	A	*	7/1961	Bednar et al.	.....	446/197
3,820,275	A	*	6/1974	Green	.....	446/212
D240,062	S	*	5/1976	Satten	.....	D21/483
D262,555	S	*	1/1982	Skubic	.....	D21/483

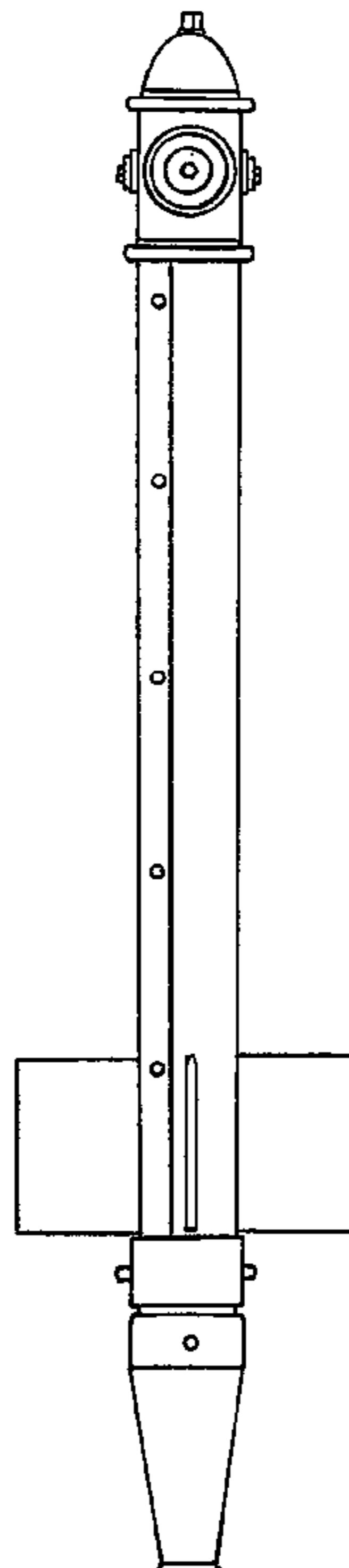
(57) **CLAIM**

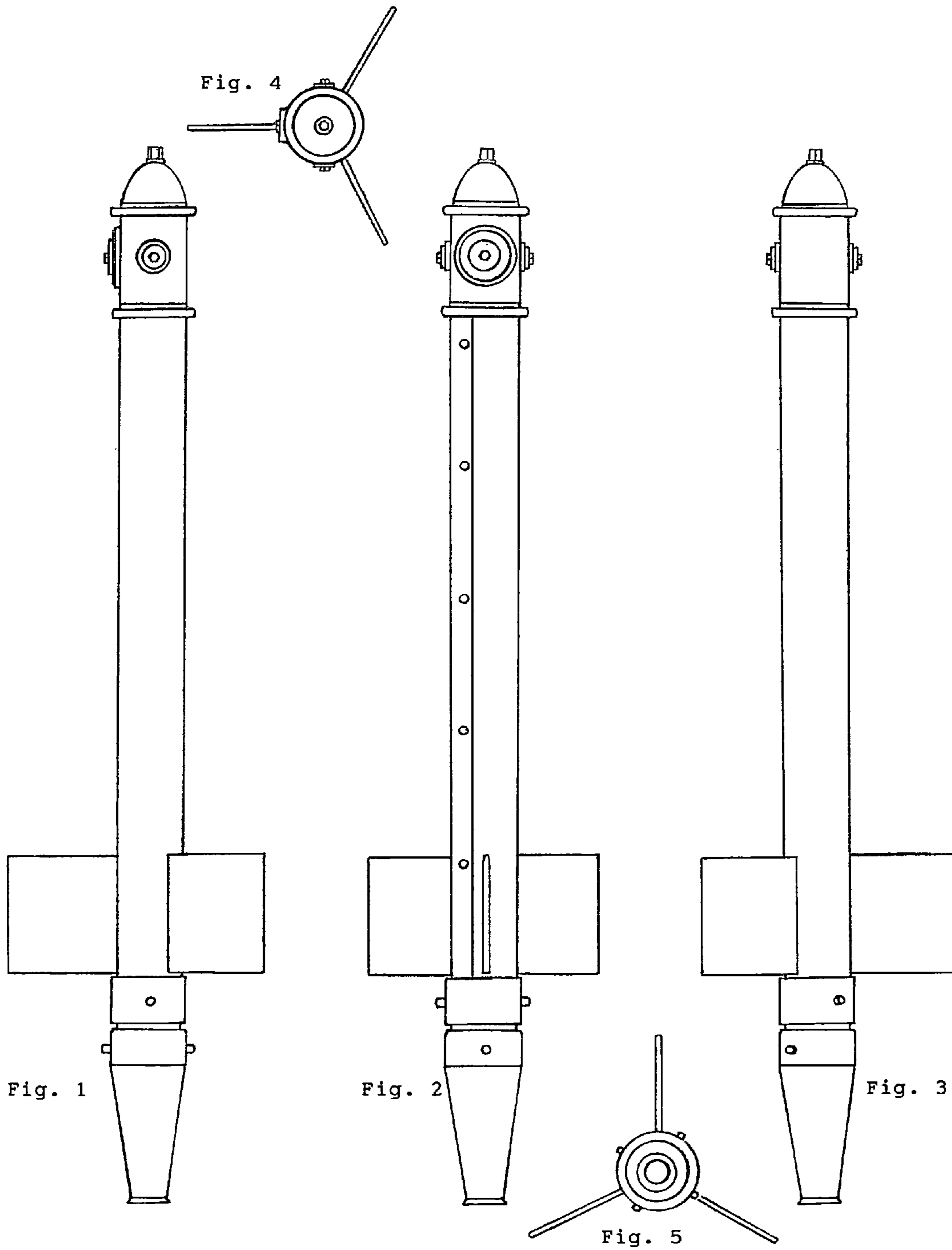
The ornamental design for a simulative model rocket, as shown and described.

**DESCRIPTION**

FIG. 1 is a right side elevational view of a simulative model rocket showing my new design, the left side being a mirror image except for the rivet line;  
FIG. 2 is a front elevational view thereof;  
FIG. 3 is a rear elevational view thereof;  
FIG. 4 is a top plan view thereof;  
FIG. 5 is a bottom plan view thereof; and,  
FIG. 6 is a left front perspective view thereof in an exploded condition.

**1 Claim, 2 Drawing Sheets**





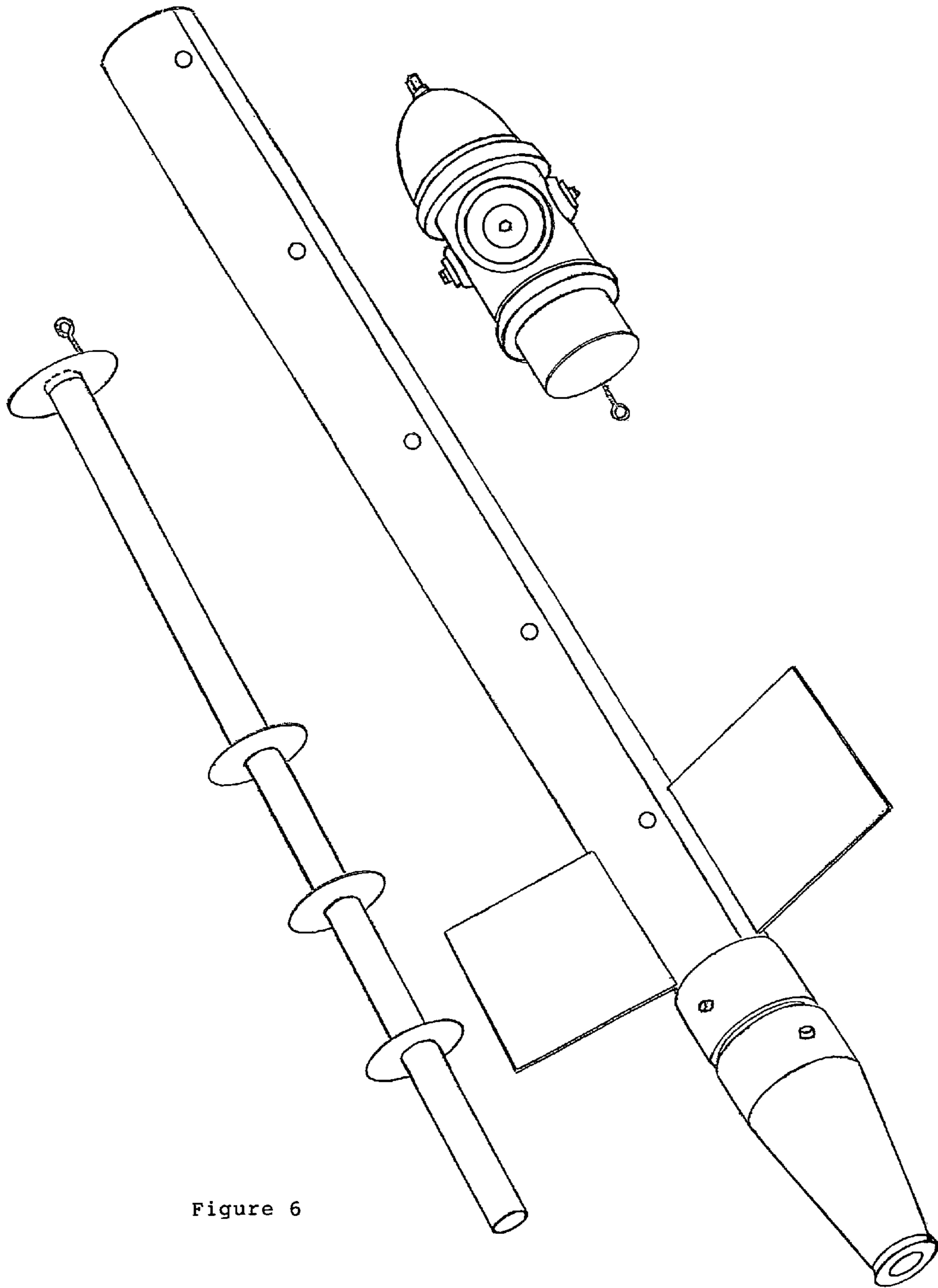


Figure 6