



US00D706359S

(12) **United States Design Patent**
Wudtke

(10) **Patent No.:** **US D706,359 S**
(45) **Date of Patent:** **** Jun. 3, 2014**

(54) **GAMING MACHINE TOP DISPLAY**

(71) Applicant: **Karl Wudtke**, Las Vegas, NV (US)

(72) Inventor: **Karl Wudtke**, Las Vegas, NV (US)

(73) Assignee: **Bally Gaming, Inc.**, Las Vegas, NV (US)

(**) Term: **14 Years**

(21) Appl. No.: **29/458,029**

(22) Filed: **Jun. 14, 2013**

(51) **LOC (10) Cl.** **21-01**

(52) **U.S. Cl.**
USPC **D21/385; D21/369**

(58) **Field of Classification Search**
USPC D14/302, 305-307, 485-486;
D21/324-325, 329, 369-371, 385;
273/146, 274; 463/17, 20, 46-47;
715/781, 786

See application file for complete search history.

(56) **References Cited**

U.S. PATENT DOCUMENTS

D383,802 S *	9/1997	Levy	D21/385
5,813,914 A *	9/1998	McKay et al.	463/46
D412,347 S *	7/1999	DeSimone et al.	D21/370
D450,096 S *	11/2001	Legras et al.	D21/385
D513,523 S *	1/2006	Crouch	D21/370
7,452,280 B2 *	11/2008	Kopera et al.	463/46
D673,622 S *	1/2013	Wudtke	D21/385

* cited by examiner

Primary Examiner — Sandra Morris

(74) *Attorney, Agent, or Firm* — Marvin Hein

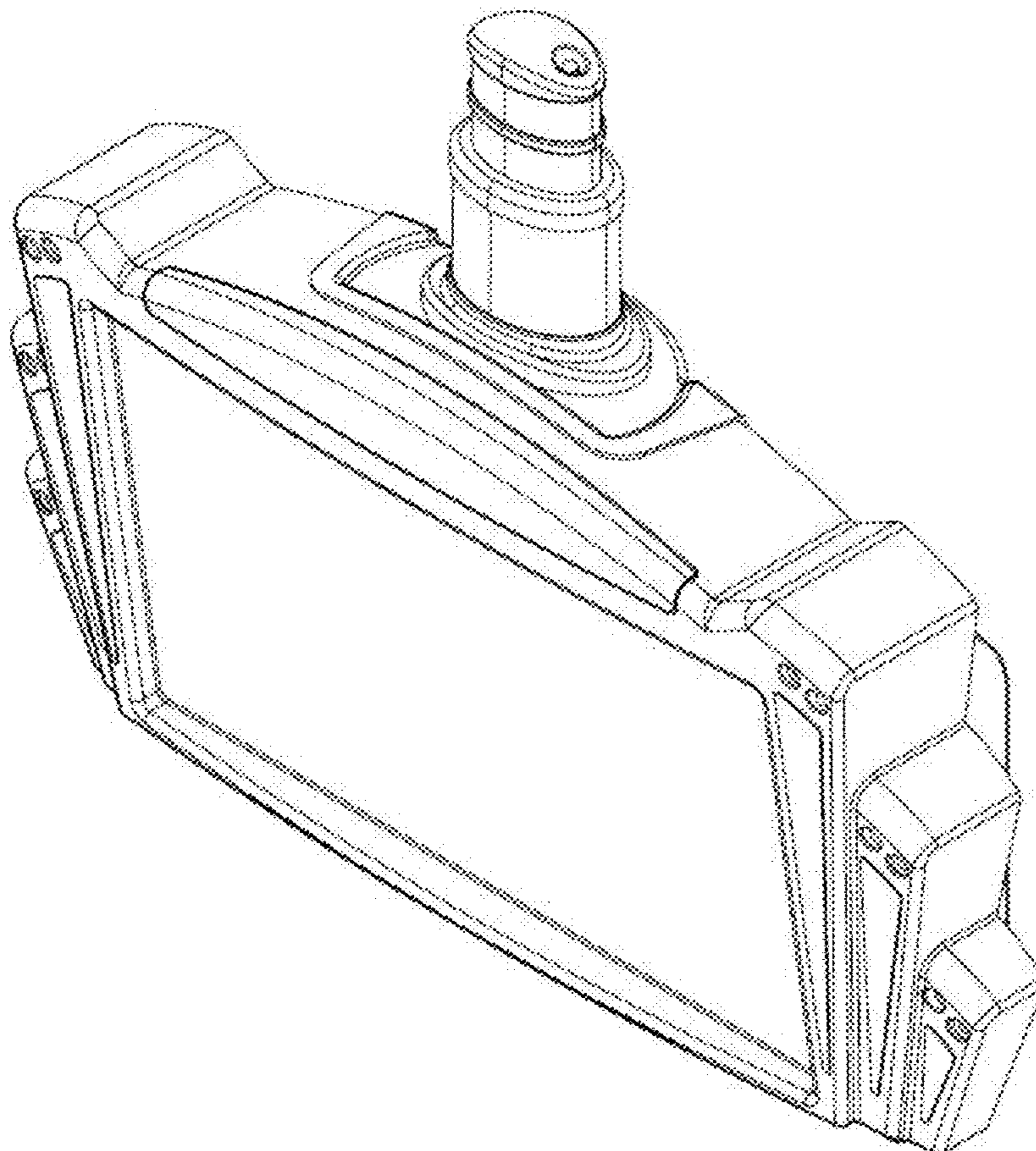
(57) **CLAIM**

The ornamental design for a gaming machine top display, as shown and described.

DESCRIPTION

FIG. 1 is a perspective view of a gaming machine top display, showing my new design;
FIG. 2 is a top view thereof;
FIG. 3 is a front elevational view thereof;
FIG. 4 is a right side elevational view thereof; and,
FIG. 5 is a rear elevational view thereof.

1 Claim, 5 Drawing Sheets



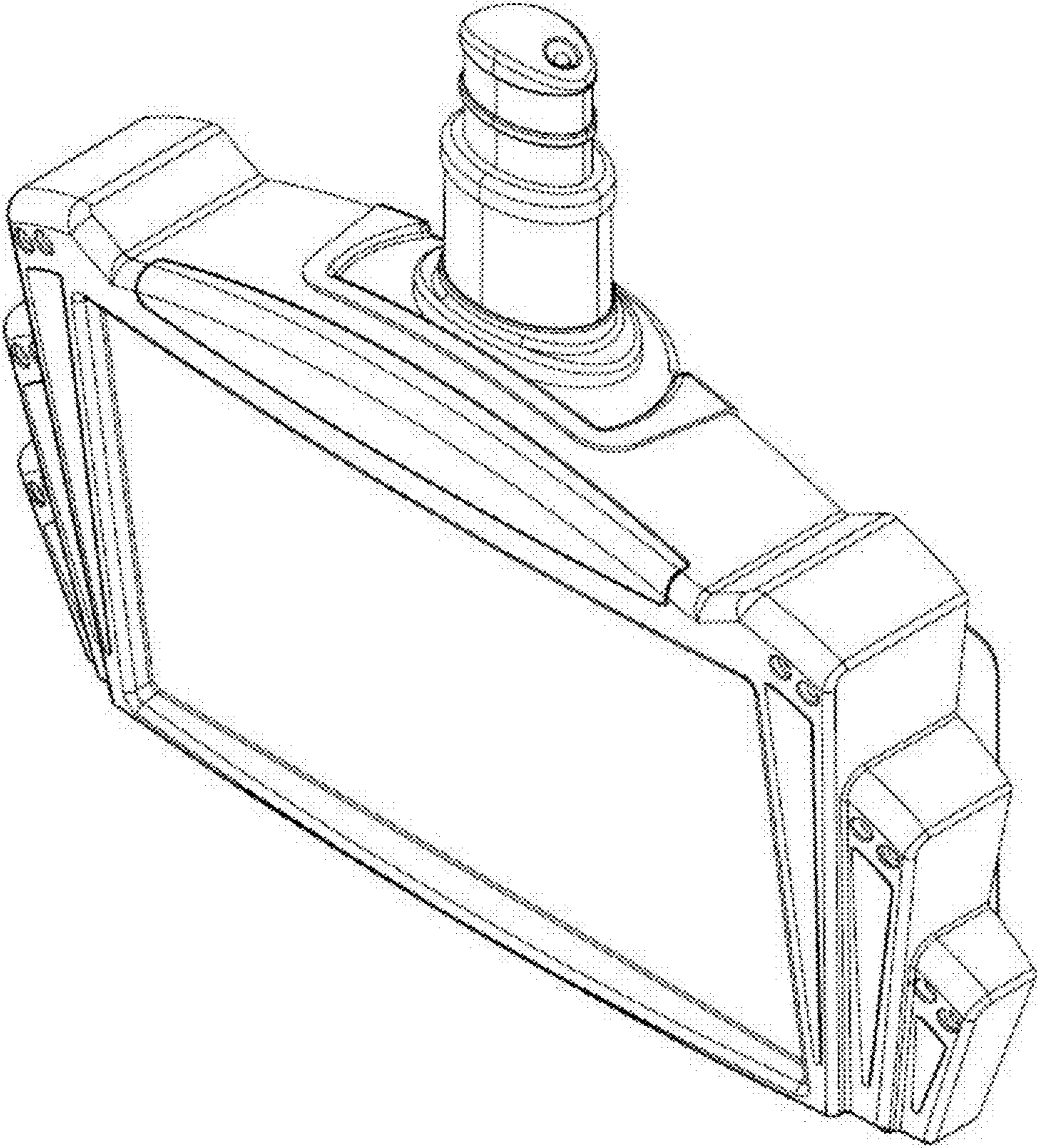


FIG. 1

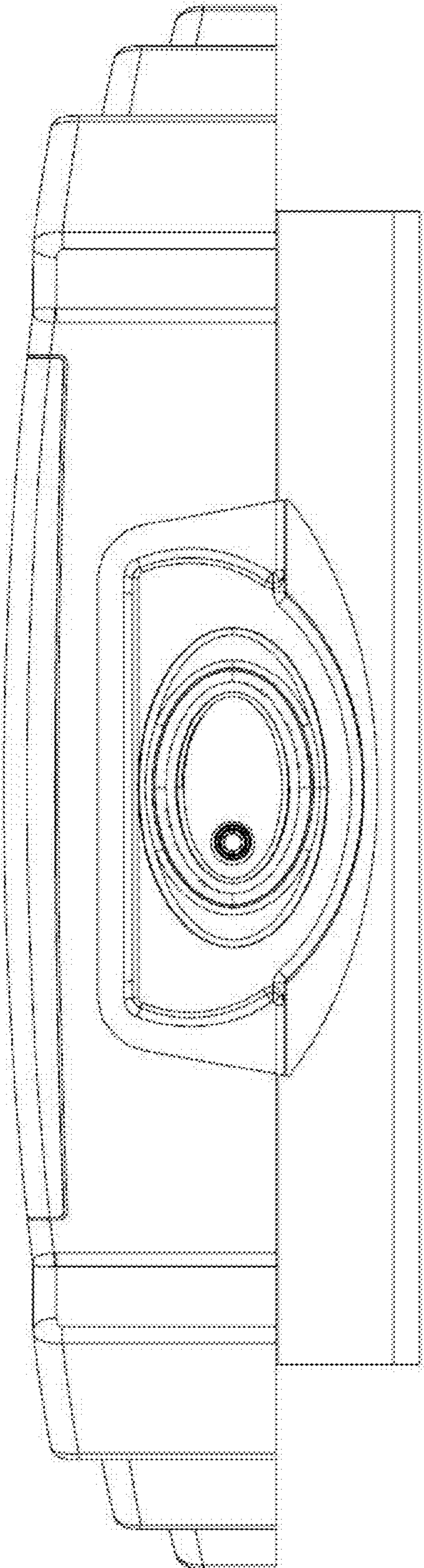


FIG. 2

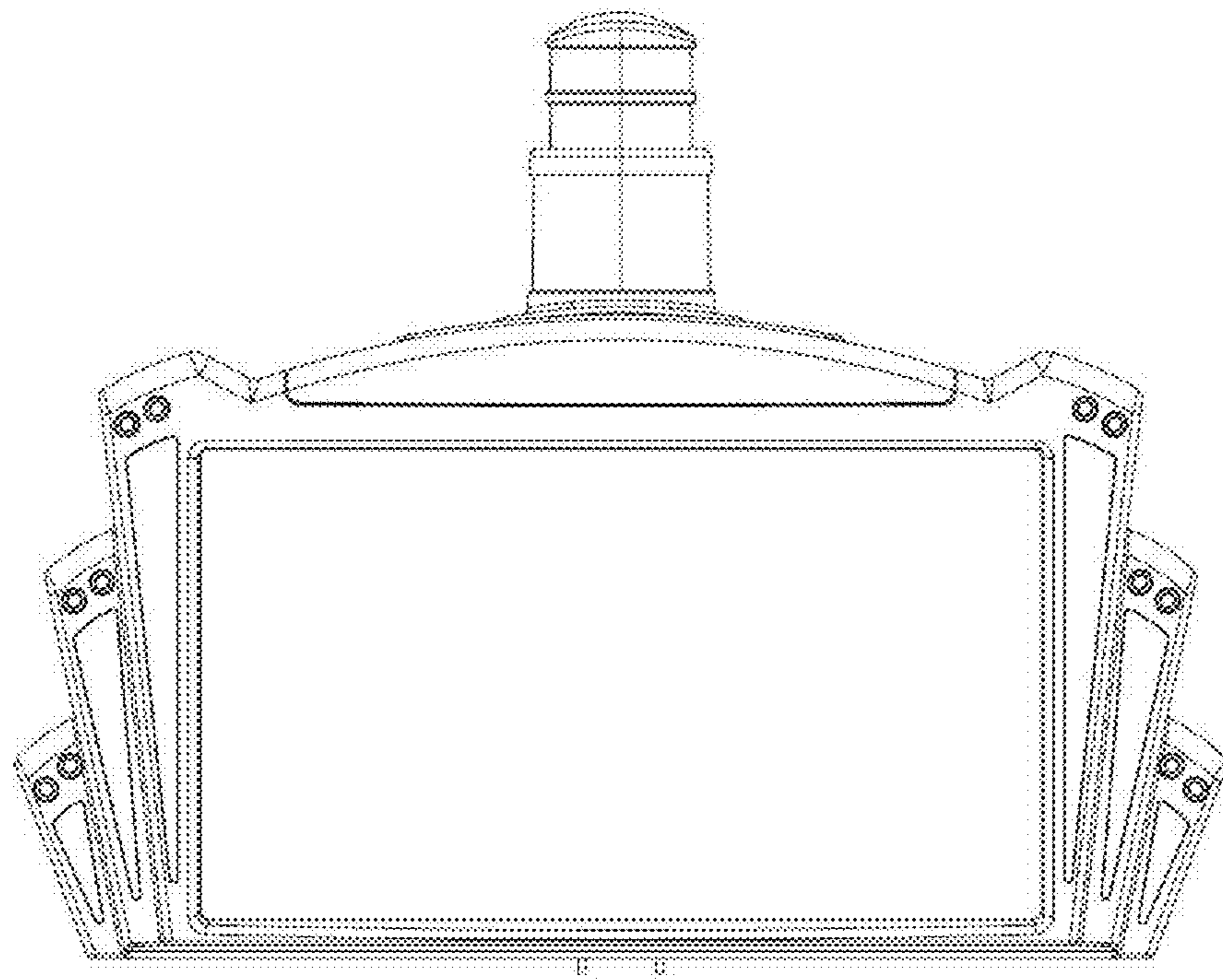


FIG. 3

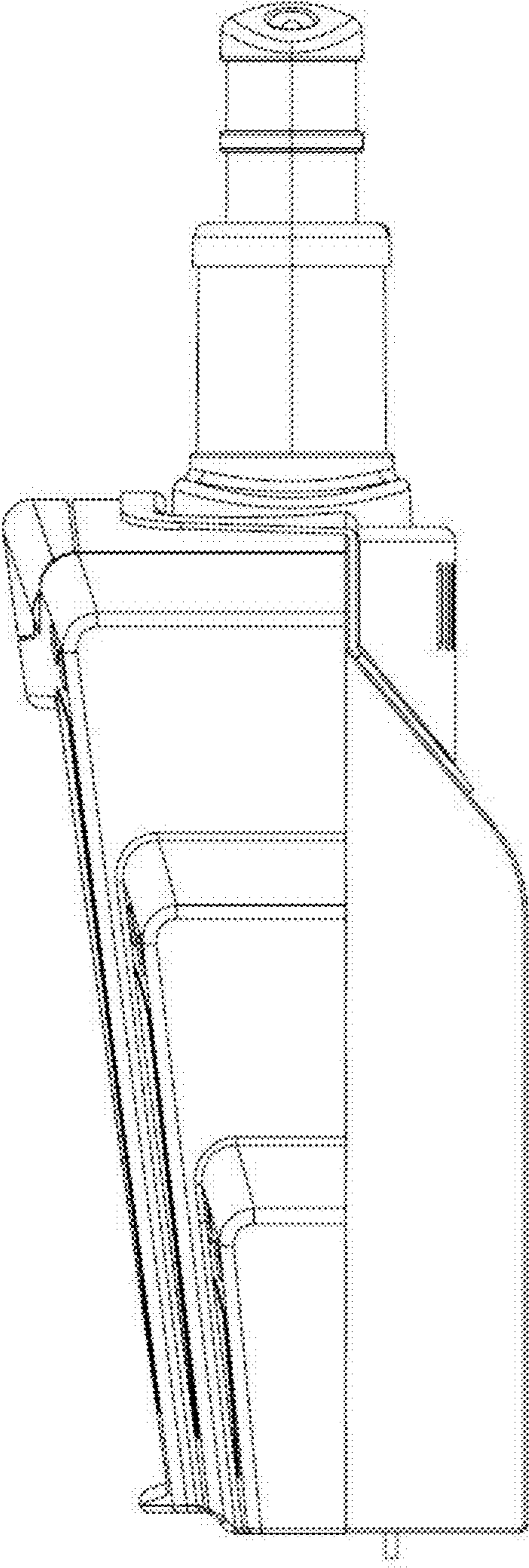


FIG. 4

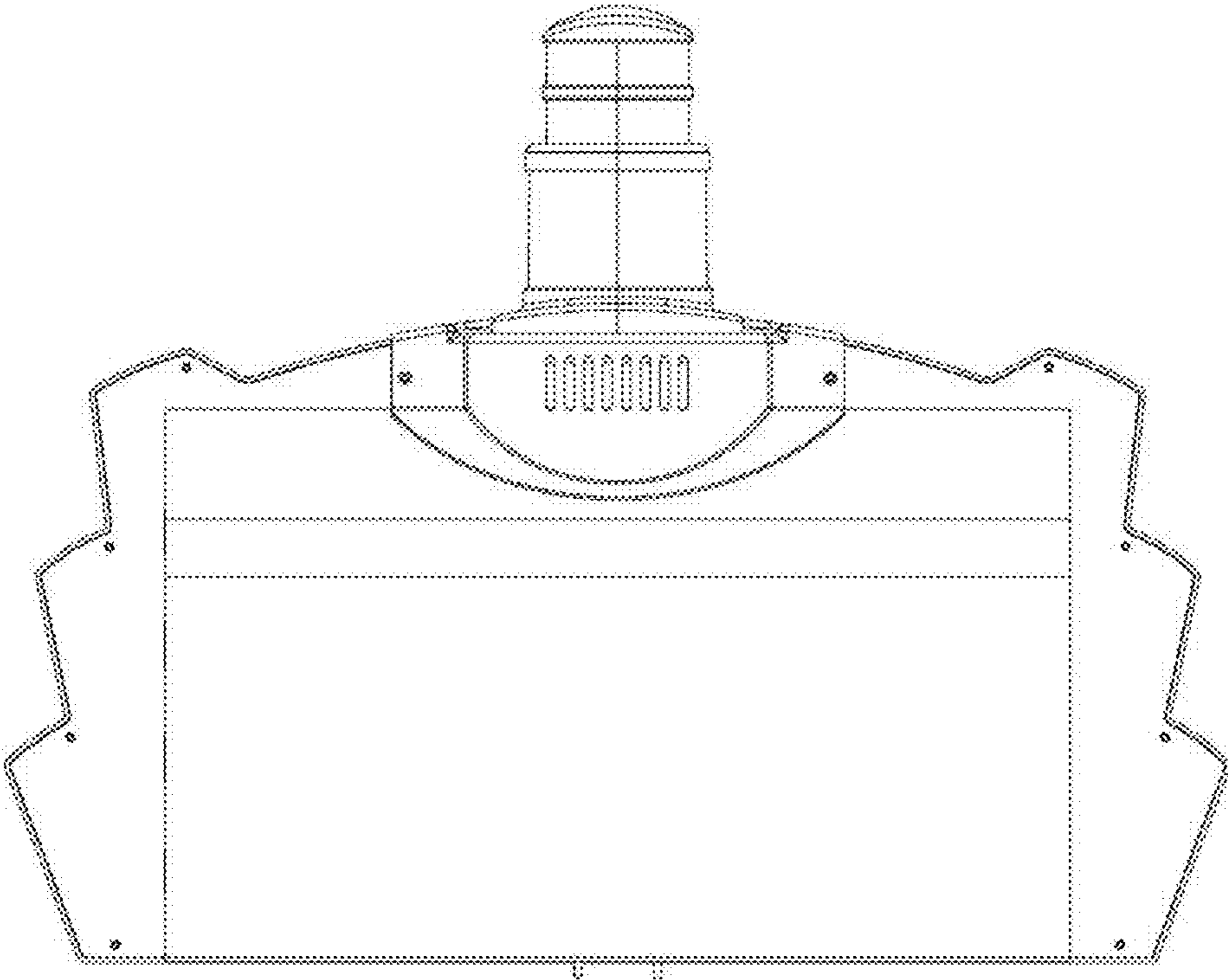


FIG. 5