

US00D706358S

(12) **United States Design Patent**
Yamamoto et al.

(10) **Patent No.:** **US D706,358 S**
(45) **Date of Patent:** **** Jun. 3, 2014**

(54) **ELECTRONIC COMPUTER**

(56) **References Cited**

(71) Applicant: **Nintendo Co., Ltd.**, Kyoto (JP)

U.S. PATENT DOCUMENTS

(72) Inventors: **Shinji Yamamoto**, Kyoto (JP);
Fumiyoshi Suetake, Kyoto (JP); **Masato Ibuki**, Kyoto (JP); **Kenichiro Ashida**, Kyoto (JP); **Noboru Wakitani**, Kyoto (JP); **Hiroki Ikuta**, Kyoto (JP); **Xiaoming Jin**, Kyoto (JP); **Junji Takamoto**, Kyoto (JP)

D357,684	S	*	4/1995	Moreland	D14/240
D374,222	S	*	10/1996	Brandt	D14/471
5,724,332	A	*	3/1998	Ogusu	720/628
6,540,611	B1	*	4/2003	Nagata	463/31
6,955,606	B2	*	10/2005	Taho et al.	463/43
D516,634	S	*	3/2006	Man-tat	D21/332
D527,400	S	*	8/2006	Konet	D15/139
7,090,582	B2	*	8/2006	Danieli et al.	463/35
D531,228	S	*	10/2006	Ashida et al.	D21/332
7,155,604	B2	*	12/2006	Kawai	713/2
D556,835	S	*	12/2007	Ashida et al.	D21/332
D576,686	S	*	9/2008	Ashida et al.	D21/332
D684,916	S		6/2013	Ashida et al.		

(73) Assignee: **Nintendo Co., Ltd.**, Kyoto (JP)

* cited by examiner

(**) Term: **14 Years**

Primary Examiner — Prabhakar Deshmukh

(21) Appl. No.: **29/455,454**

(74) *Attorney, Agent, or Firm* — Nixon & Vanderhye, P.C.

(22) Filed: **May 21, 2013**

(57) **CLAIM**

The ornamental design for an electronic computer, as shown and described.

(30) **Foreign Application Priority Data**

DESCRIPTION

Nov. 26, 2012 (JP) 2012-028843

(51) **LOC (10) Cl.** **21-01**

(52) **U.S. Cl.**
USPC **D21/332; D21/330**

(58) **Field of Classification Search**
USPC D21/324, 332, 333, 328; 273/148 B;
463/1, 29-35, 46, 47; D14/496;
345/156-161

FIG. 1 is front, left and bottom perspective view of an electronic computer showing our new design;
FIG. 2 is rear, right and top perspective view thereof;
FIG. 3 is a front view thereof;
FIG. 4 is a rear view thereof;
FIG. 5 is a top plan view thereof;
FIG. 6 is a bottom plan view thereof;
FIG. 7 is a left side view thereof;
FIG. 8 is a right side view thereof; and,
FIG. 9 is a reference perspective view showing a lid-opened state thereof.

See application file for complete search history.

1 Claim, 4 Drawing Sheets

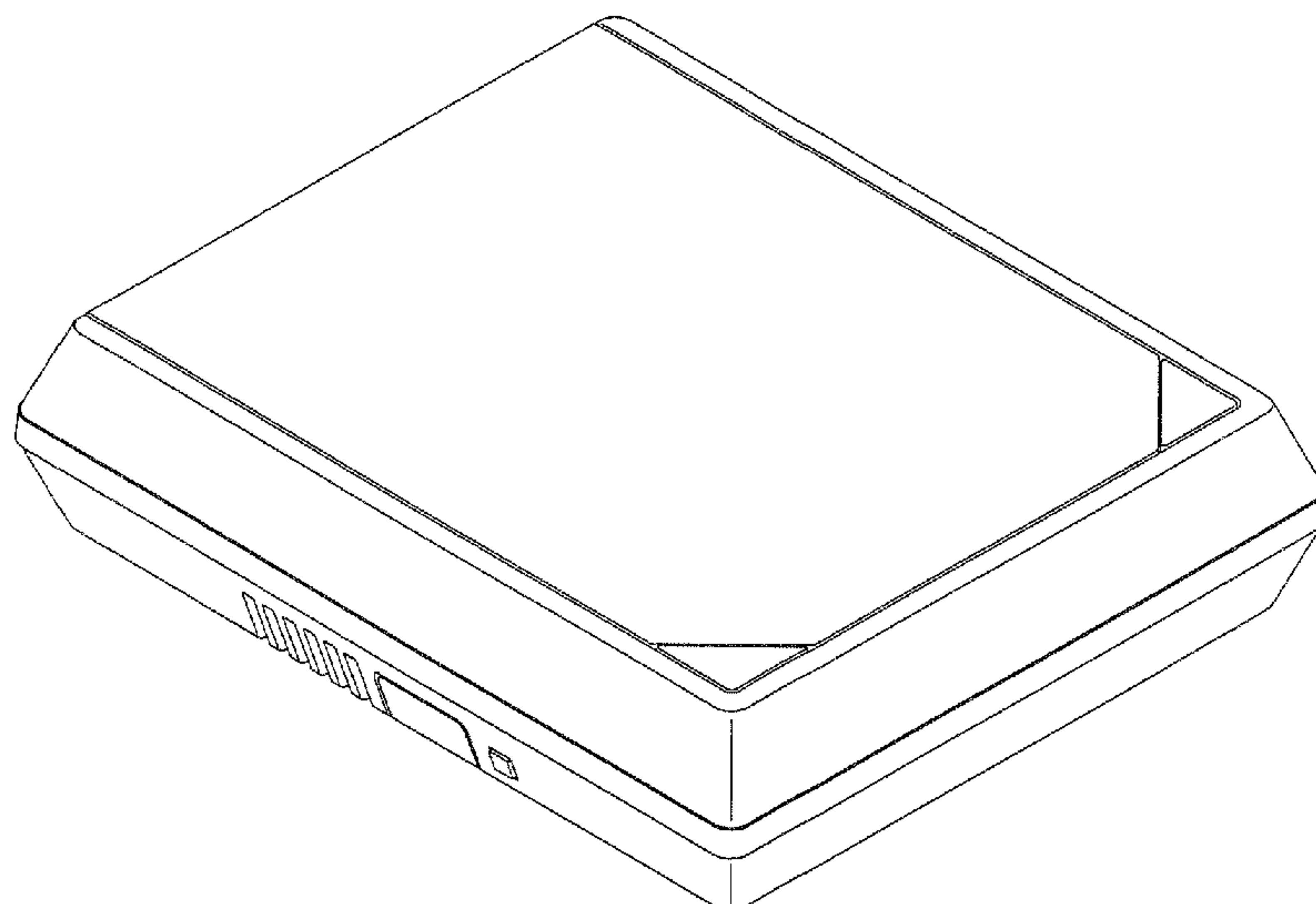


FIG. 1

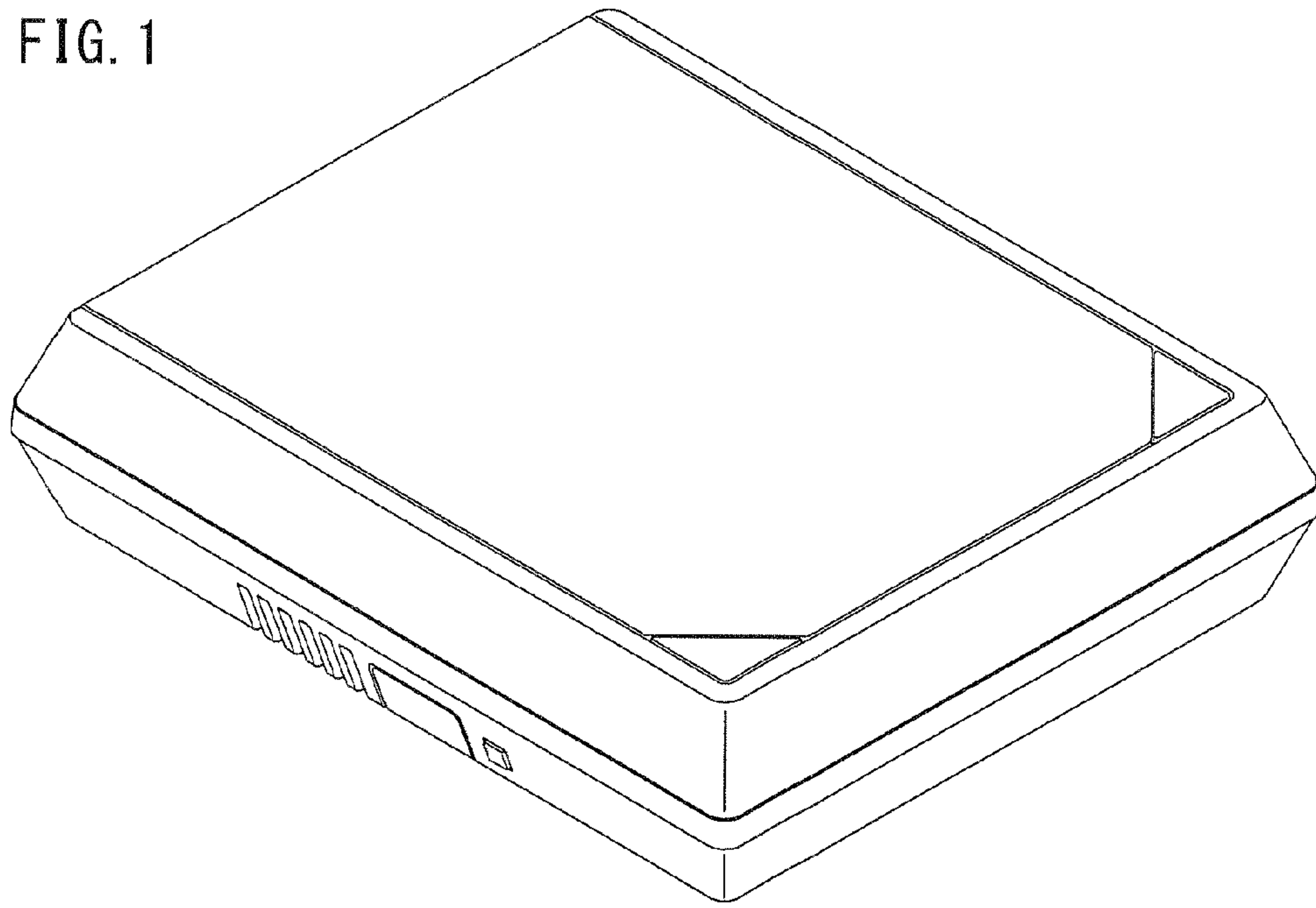


FIG. 2

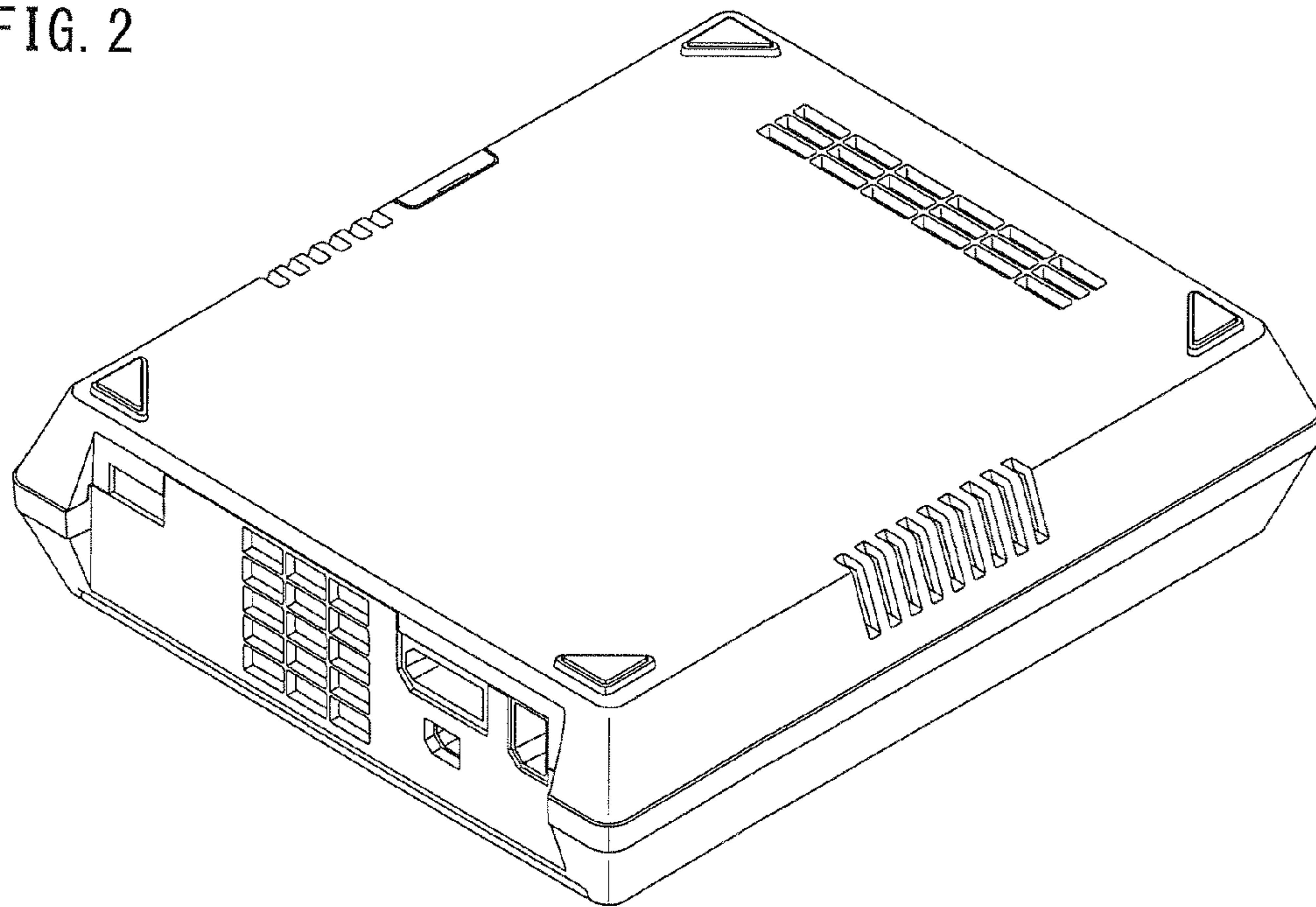


FIG. 3

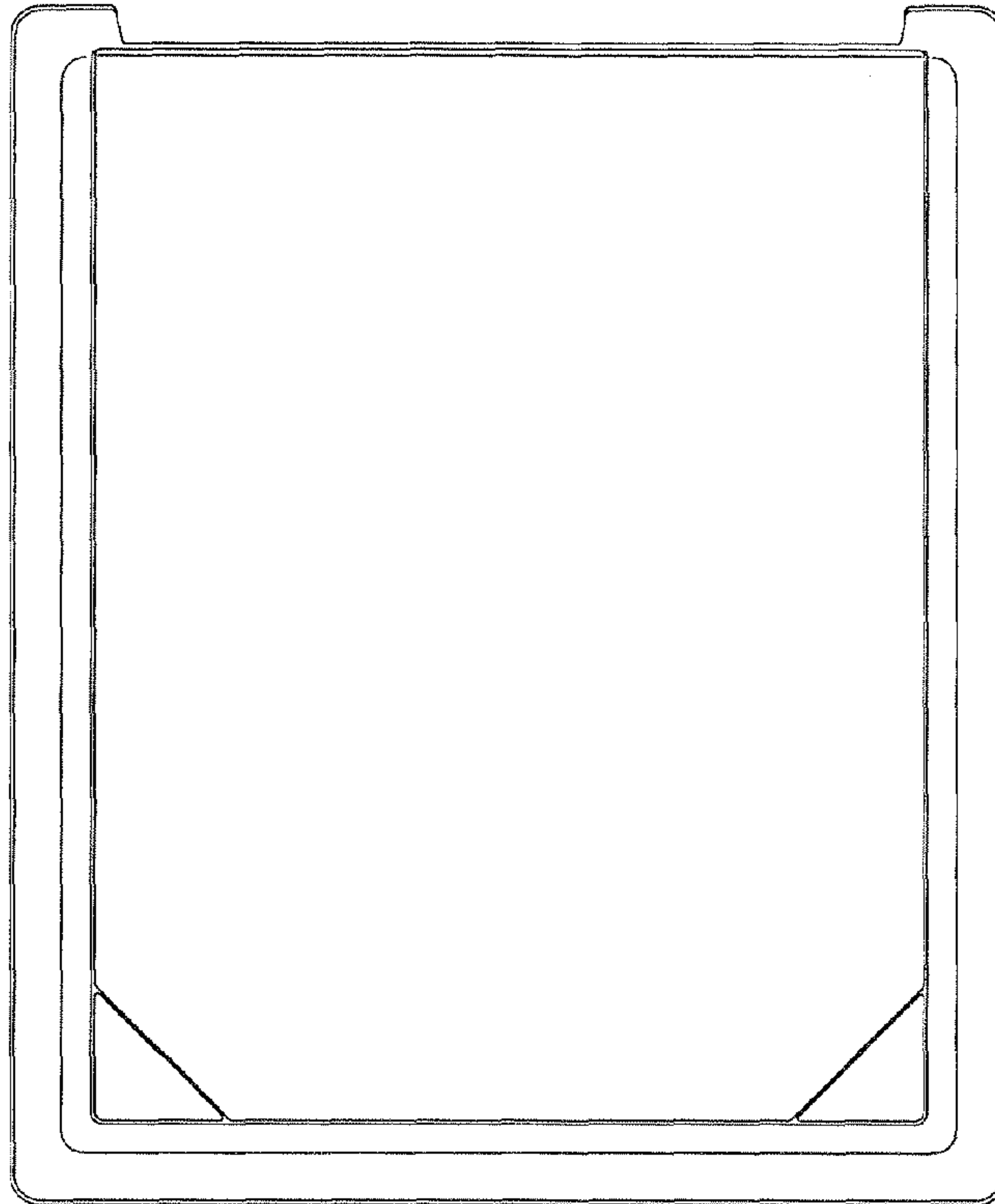


FIG. 4

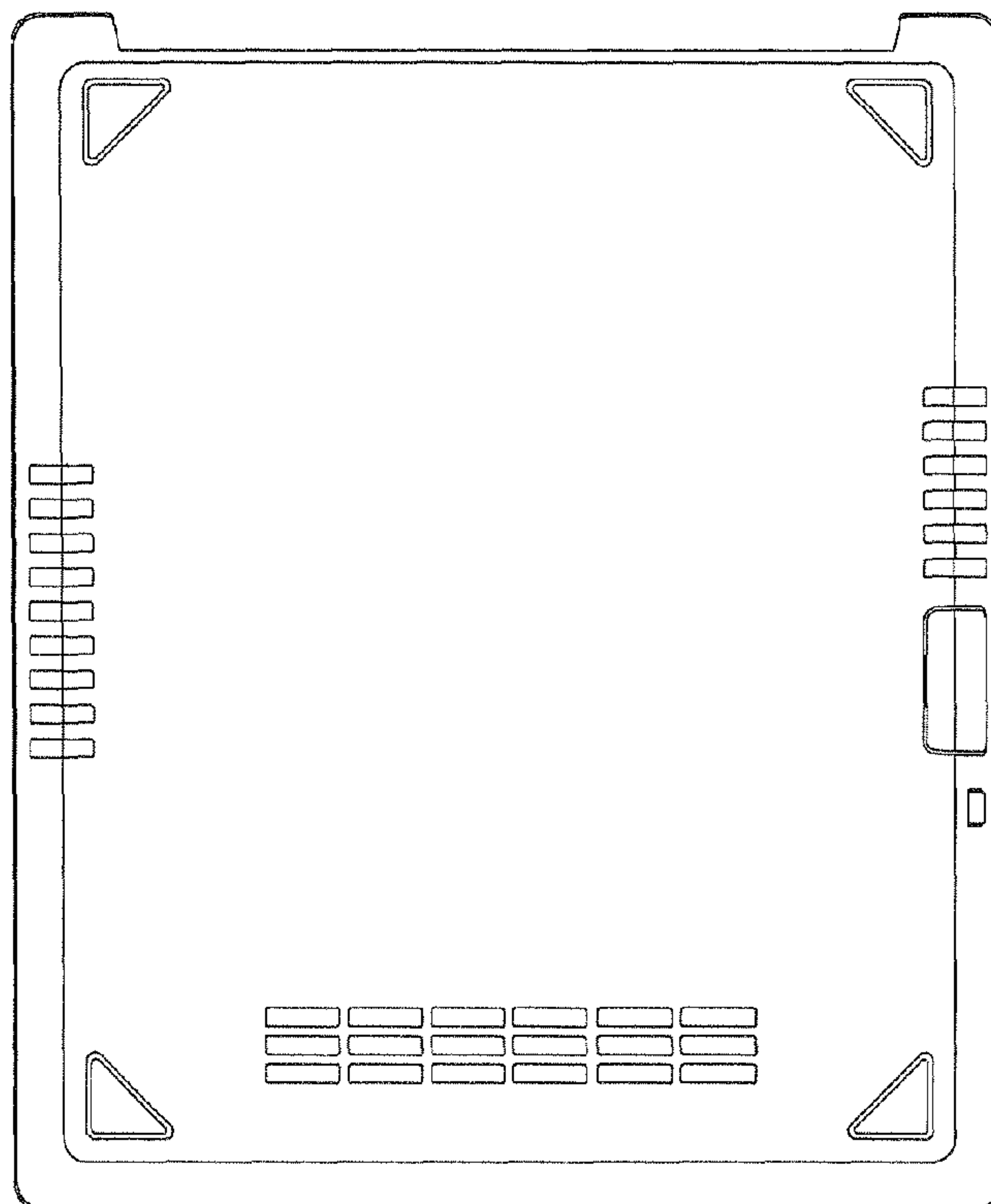


FIG. 5

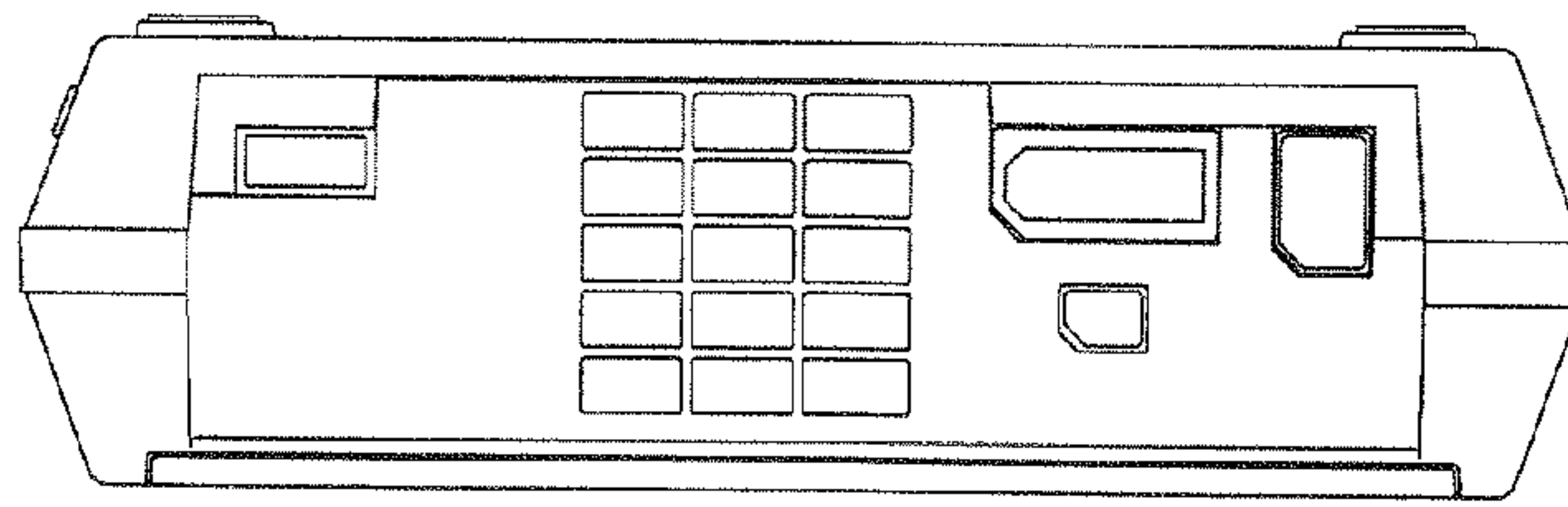


FIG. 6

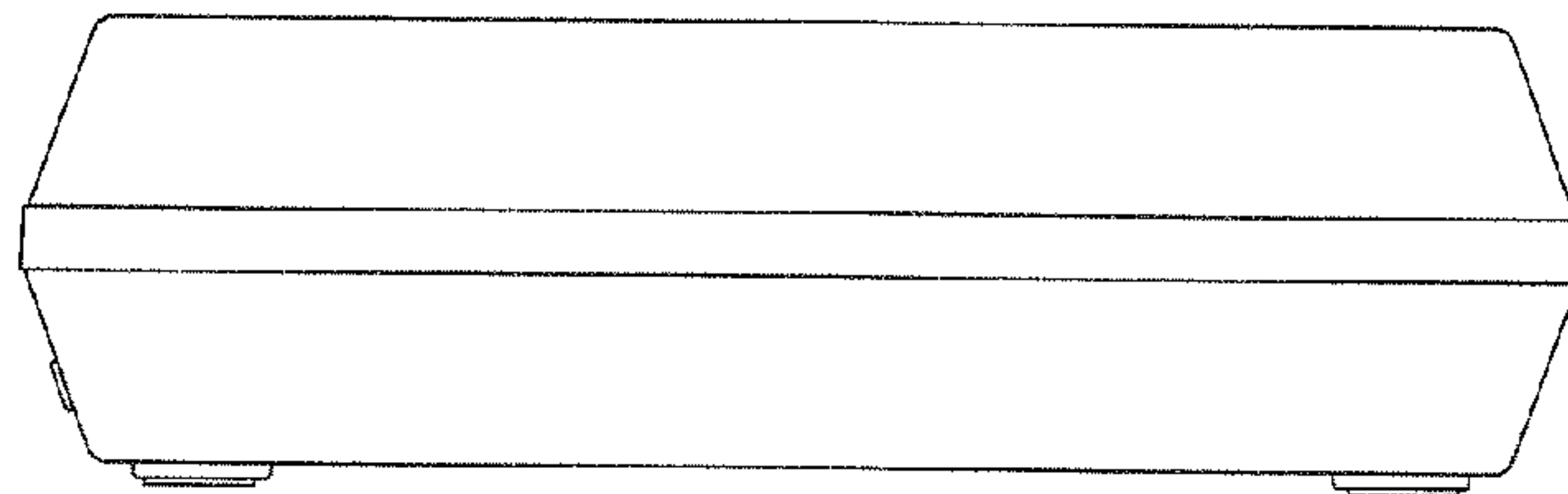


FIG. 7

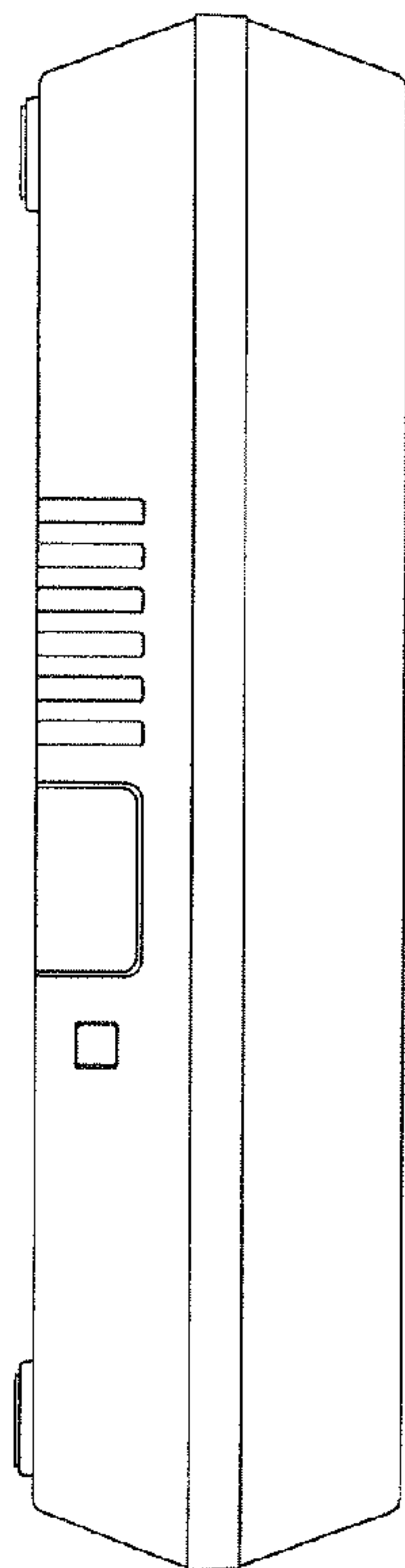


FIG. 8

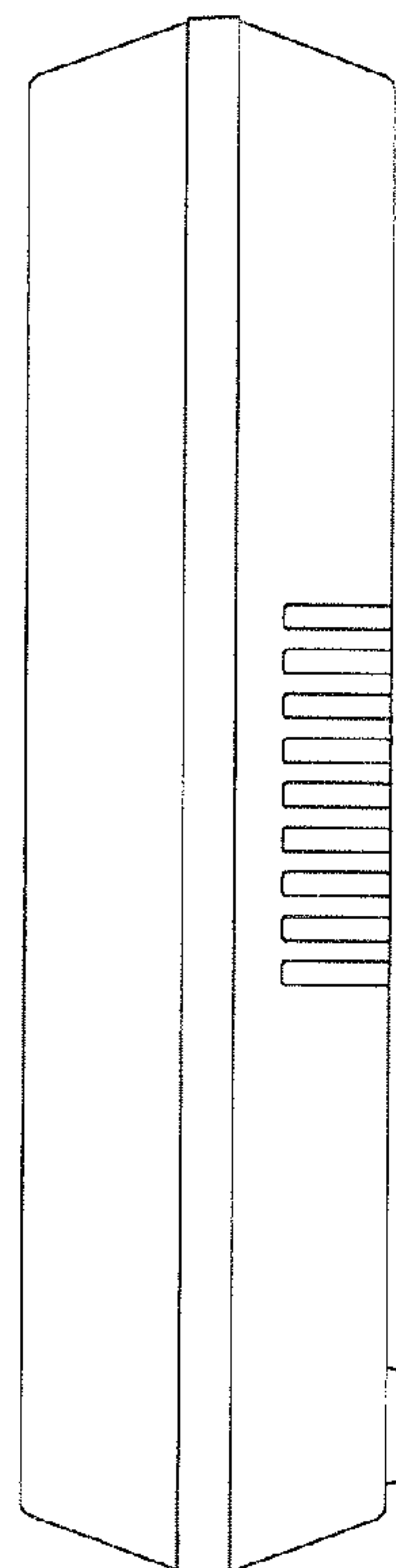


FIG. 9

