



US00D706357S

(12) **United States Design Patent**
Ashida et al.

(10) **Patent No.:** **US D706,357 S**
(45) **Date of Patent:** **** Jun. 3, 2014**

(54) **ELECTRONIC COMPUTER**

(56) **References Cited**

(71) Applicant: **Nintendo Co., Ltd.**, Kyoto (JP)

U.S. PATENT DOCUMENTS

(72) Inventors: **Kenichiro Ashida**, Kyoto (JP); **Masato Ibuki**, Kyoto (JP); **Shinji Yamamoto**, Kyoto (JP); **Fumiyoshi Suetake**, Kyoto (JP); **Akiko Suga**, Kyoto (JP); **Naoya Yamamoto**, Kyoto (JP); **Hitoshi Tsuchiya**, Kyoto (JP); **Junji Takamoto**, Kyoto (JP); **Noboru Wakitani**, Kyoto (JP); **Yasuhisa Kitano**, Kyoto (JP); **Toshiaki Iwao**, Kyoto (JP); **Yuji Hori**, Kyoto (JP); **Takafumi Nishida**, Kyoto (JP); **Hiroki Ikuta**, Kyoto (JP)

D357,684	S	4/1995	Moreland	
D374,222	S	10/1996	Brandt	
5,724,332	A	3/1998	Ogusu	
D393,384	S	4/1998	Tedesco et al.	
5,888,134	A *	3/1999	McNair, Jr.	454/184
6,540,611	B1	4/2003	Nagata	
6,769,989	B2 *	8/2004	Smith et al.	463/41
6,891,721	B2	5/2005	Huang	

(Continued)

OTHER PUBLICATIONS

Russian Official Action dated Mar. 19, 2012 (with English translation) for corresponding Russian Design Application No. 2011503738 filed Dec. 2, 2011, (7 pages).

(Continued)

Primary Examiner — Prabhakar Deshmukh

(74) *Attorney, Agent, or Firm* — Nixon & Vanderhye, P.C.

(73) Assignee: **Nintendo Co., Ltd.**, Kyoto (JP)

(**) Term: **14 Years**

(21) Appl. No.: **29/454,949**

(22) Filed: **May 15, 2013**

(57) **CLAIM**

The ornamental design for an electronic computer, as shown by and described.

Related U.S. Application Data

(62) Division of application No. 29/407,696, filed on Dec. 1, 2011, now Pat. No. Des. 684,916.

DESCRIPTION

(30) **Foreign Application Priority Data**

Jun. 3, 2011 (JP) 2011-012712
Jun. 3, 2011 (JP) 2011-012713

FIG. 1 is top, front and left perspective view of an electronic computer showing our new design;
FIG. 2 is a bottom, rear, and right perspective view thereof;
FIG. 3 is a top plan view thereof;
FIG. 4 is a bottom plan view thereof;
FIG. 5 is a front view thereof;
FIG. 6 is a rear view thereof;
FIG. 7 is a left side view thereof; and,
FIG. 8 is a right side view thereof.
Subject matter shown in dashed lines is for reference purposes only and forms no part of the claimed design.

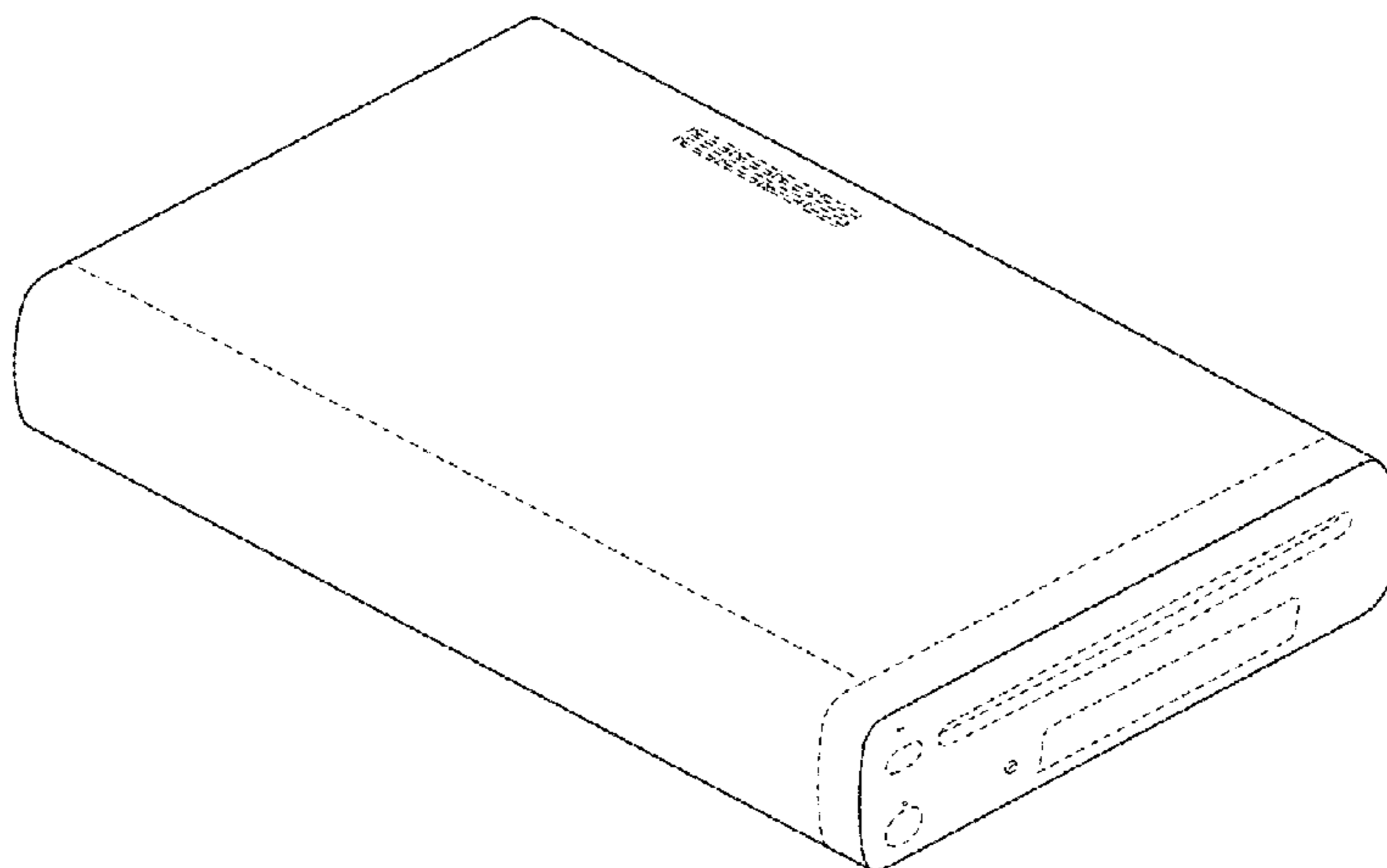
(51) **LOC (10) Cl.** **21-01**

(52) **U.S. Cl.**
USPC **D21/332; D21/330**

(58) **Field of Classification Search**
USPC D21/324, 332, 333, 328; 273/148 B;
463/1, 29-35, 46, 47; D14/496;
345/156-161

See application file for complete search history.

1 Claim, 1 Drawing Sheet



(56)

References Cited

U.S. PATENT DOCUMENTS

6,955,606 B2 10/2005 Taho et al.
7,003,588 B1 * 2/2006 Takeda et al. 710/8
D516,634 S * 3/2006 Man-tat D21/332
D518,823 S 4/2006 Huang
D520,502 S 5/2006 Xu et al.
7,090,582 B2 8/2006 Danieli et al.
D531,228 S 10/2006 Ashida et al.
7,155,604 B2 12/2006 Kawai
D556,835 S 12/2007 Ashida et al.

D569,327 S * 5/2008 Lin D12/220
D576,686 S 9/2008 Ashida et al.
D627,400 S 11/2010 Suetake et al.
D658,234 S 4/2012 Mercier et al.

OTHER PUBLICATIONS

German Publication for Design No. M9205581-0001.1 dated Mar. 19, 2012 (with English translation) (2 pages).
German Publication for Design No. M9206359-0001 dated Mar. 19, 2012 (with English translation) (2 pages).

* cited by examiner

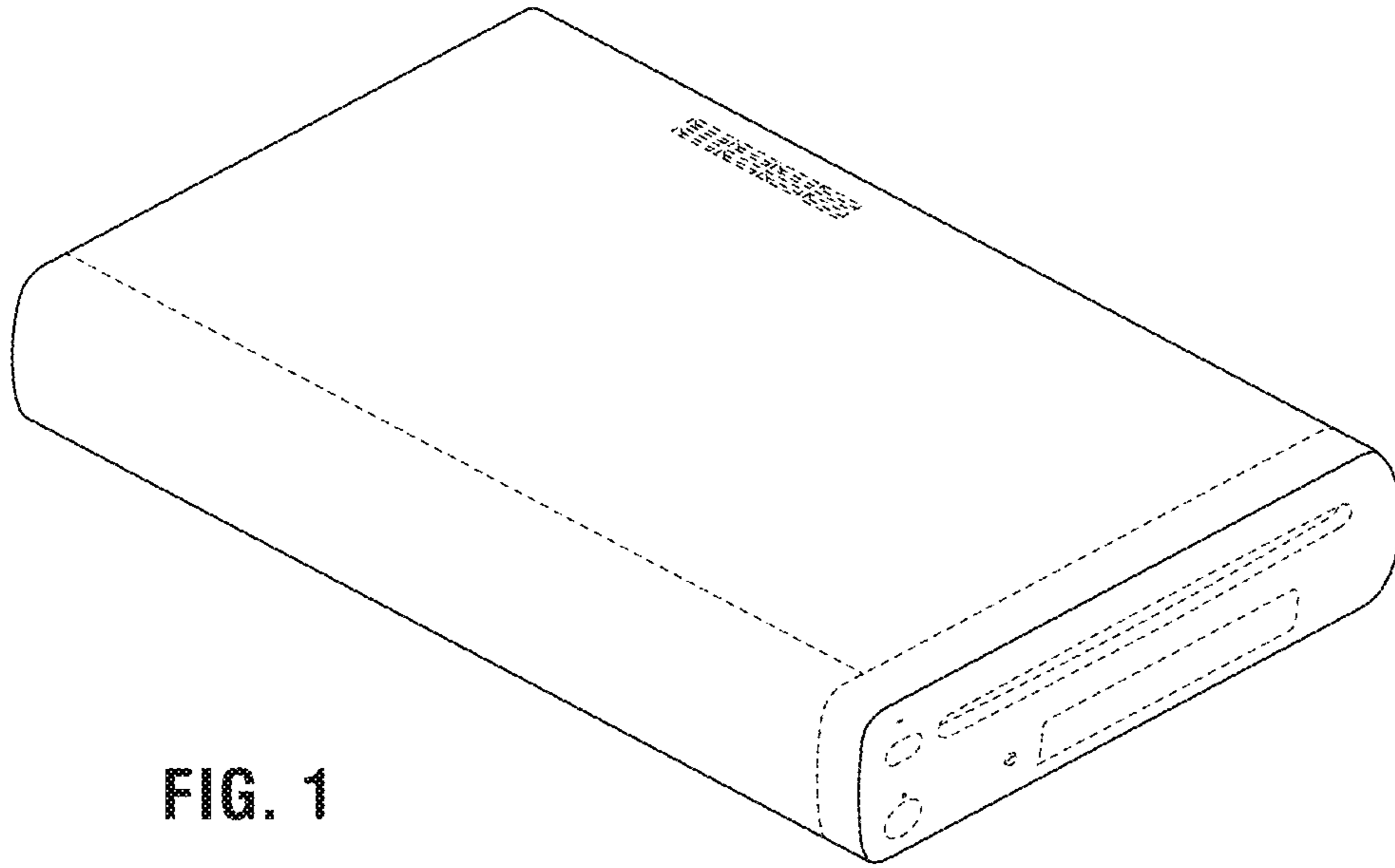


FIG. 1

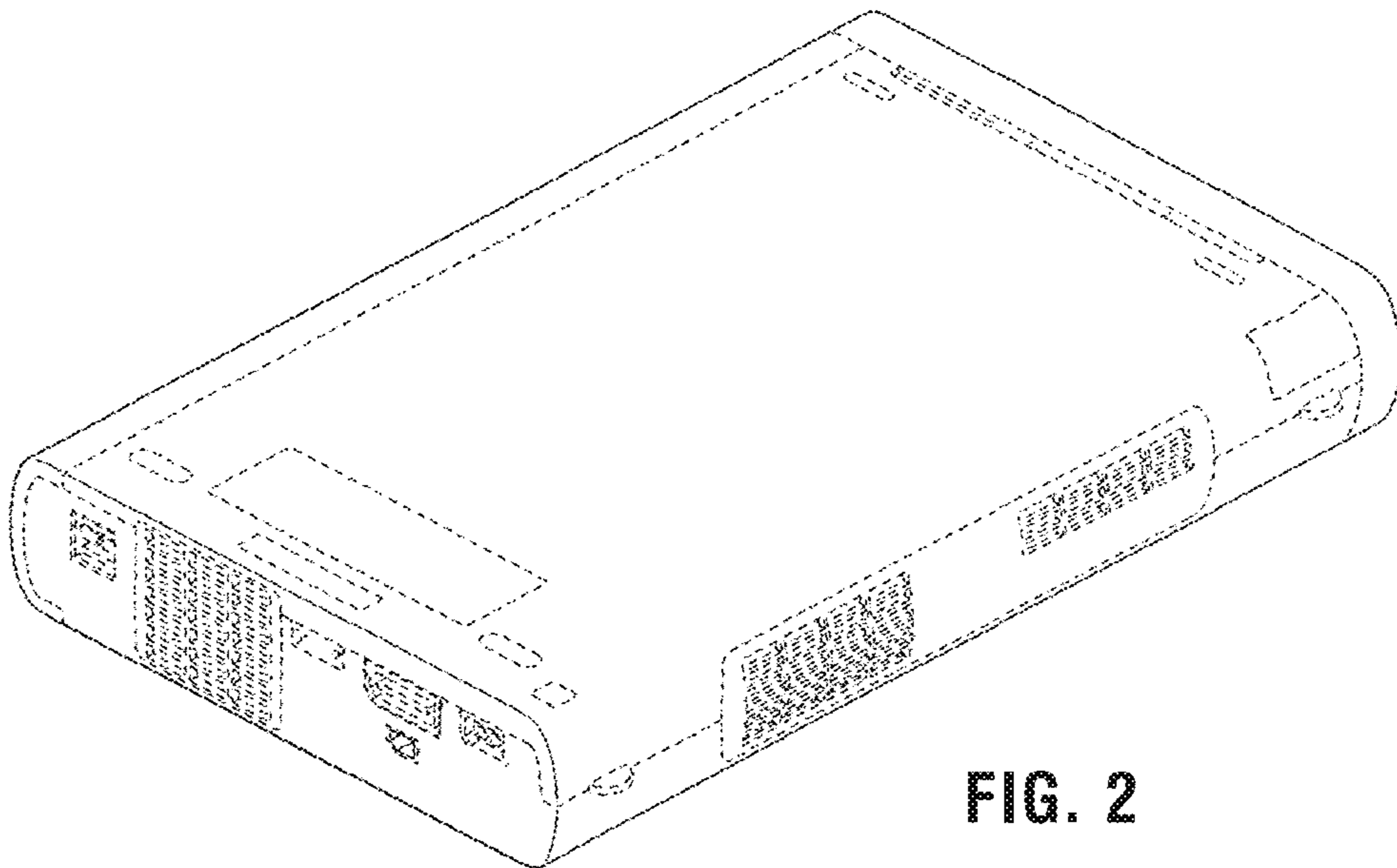


FIG. 2