



US00D706356S

(12) **United States Design Patent**
Sugino et al.

(10) **Patent No.:** **US D706,356 S**
(45) **Date of Patent:** **** Jun. 3, 2014**

(54) **PORTABLE ELECTRONIC COMPUTER**

D333,493 S * 2/1993 Sato D21/330
D347,450 S 5/1994 Nagata et al.
D378,686 S * 4/1997 Proctor et al. D19/60

(71) Applicant: **Nintendo Co., Ltd.**, Kyoto (JP)

(Continued)

(72) Inventors: **Kenichi Sugino**, Kyoto (JP); **Yui Ehara**,
Kyoto (JP); **Takaki Fujino**, Kyoto (JP);
Junichiro Miyatake, Kyoto (JP); **Yuko**
Zenri, Kyoto (JP); **Takayoshi Matsui**,
Kyoto (JP); **Tetsuya Akama**, Kyoto (JP);
Hironori Akai, Kyoto (JP); **Munetaka**
Nishikawa, Kyoto (JP); **Hiroki Goto**,
Kyoto (JP); **Kochi Kawai**, Kyoto (JP);
Kumpei Fujita, Kyoto (JP)

OTHER PUBLICATIONS

Design U.S. Appl. No. 29/439,972, filed Dec. 18, 2012 (pending).

(Continued)

Primary Examiner — Prabhakar Deshmukh
(74) *Attorney, Agent, or Firm* — Nixon & Vanderhye, P.C.

(73) Assignee: **Nintendo Co., Ltd.**, Kyoto (JP)

(57) **CLAIM**

The ornamental design for portable electronic computer, as shown and described.

(**) Term: **14 Years**

DESCRIPTION

(21) Appl. No.: **29/440,001**

(22) Filed: **Dec. 18, 2012**

(30) **Foreign Application Priority Data**

Jun. 18, 2012 (JP) 2012-014496

(51) **LOC (10) Cl.** **21-01**

(52) **U.S. Cl.**
USPC **D21/332; D21/333**

(58) **Field of Classification Search**
USPC D21/324, 329, 330, 333, 332; D14/496,
D14/125, 345, 203.1, 314, 315, 356, 365;
273/148 B; 463/1, 2, 29-36, 45, 47;
345/156, 173, 867, 903; 361/679, 681,
361/672, 500

See application file for complete search history.

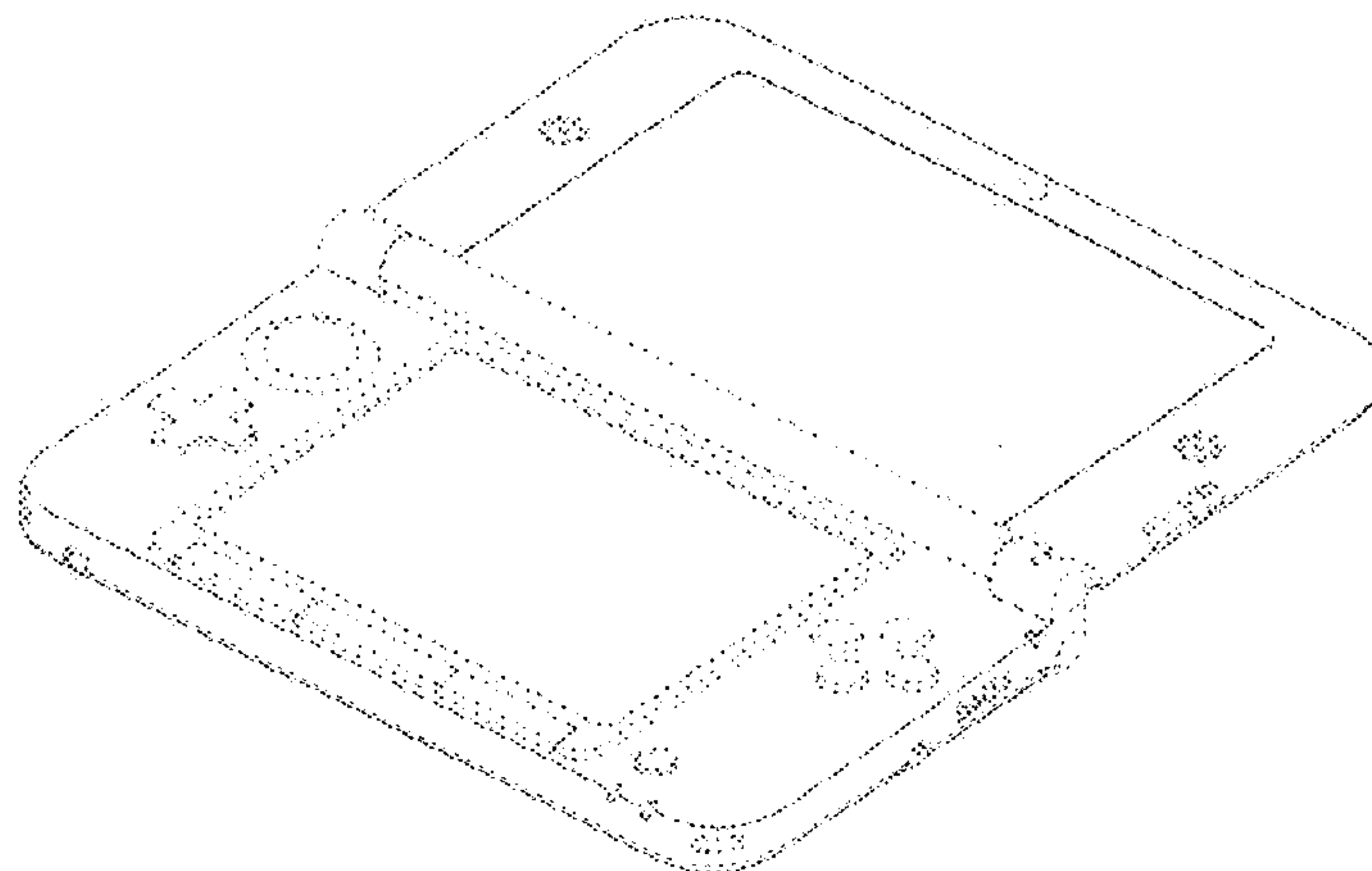
(56) **References Cited**

U.S. PATENT DOCUMENTS

D275,971 S 10/1984 Yokoi
4,542,903 A * 9/1985 Yokoi et al. 463/31
D318,884 S 8/1991 Kojo

FIG. 1 is a front, bottom and right perspective view of a portable electronic computer showing our new design, a lid with display being opened;
FIG. 2 is a rear, top and left perspective view thereof;
FIG. 3 is a front view thereof;
FIG. 4 is a rear view thereof;
FIG. 5 is a top plan view thereof;
FIG. 6 is a bottom plan view thereof;
FIG. 7 is a left side view thereof;
FIG. 8 is a right side view thereof;
FIG. 9 is a front, bottom and right perspective view of thereof, the lid with display being closed;
FIG. 10 is a rear, top and left perspective view thereof;
FIG. 11 is a front view thereof;
FIG. 12 is a rear plan view thereof;
FIG. 13 is a top plan view thereof;
FIG. 14 is a bottom plan view thereof;
FIG. 15 is a left side view thereof; and,
FIG. 16 is a right side view thereof.
The broken lines indicate unclaimed portions and form no part of the claimed design.

1 Claim, 7 Drawing Sheets



(56)

References Cited

OTHER PUBLICATIONS

U.S. PATENT DOCUMENTS

5,988,902 A * 11/1999 Holehan 400/479.1
6,085,204 A * 7/2000 Chijiwa et al. 715/246
D452,280 S 12/2001 Ota et al.
D453,536 S 2/2002 Ota et al.
6,498,721 B1 * 12/2002 Kim 361/679.06
D484,918 S 1/2004 Okada et al.
D494,190 S * 8/2004 Hong et al. D14/501
6,958,902 B2 * 10/2005 Tseng et al. 361/679.06
D524,870 S 7/2006 Sugino et al.
D532,051 S 11/2006 Sugino et al.
D556,759 S 12/2007 Kawanobe et al.
D568,884 S 5/2008 Kawanobe et al.

Design U.S. Appl. No. 29/439,977, filed Dec. 18, 2012 (pending).
Design U.S. Appl. No. 29/439,980, filed Dec. 18, 2012 (pending).
Design U.S. Appl. No. 29/439,983, filed Dec. 18, 2012 (pending).
Design U.S. Appl. No. 29/439,991, filed Dec. 18, 2012 (pending).
Design U.S. Appl. No. 29/439,996, filed Dec. 18, 2012 (pending).
Design U.S. Appl. No. 29/407,809, filed Dec. 2, 2011 (pending).
Design U.S. Appl. No. 29/407,814, filed Dec. 2, 2011 (pending).
Design U.S. Appl. No. 29/448,050, filed Mar. 8, 2013 (pending).

* cited by examiner

FIG. 1

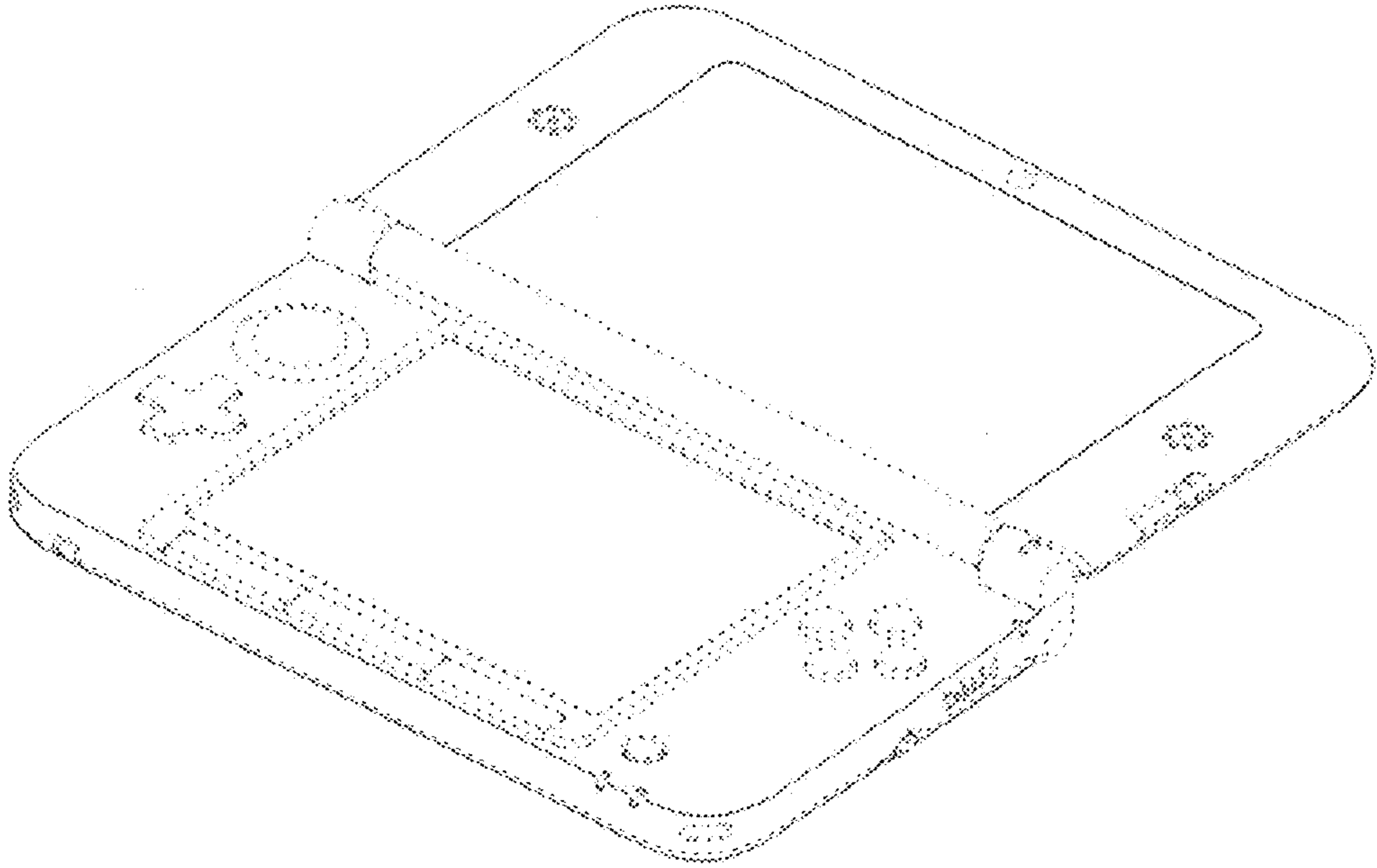


FIG. 2

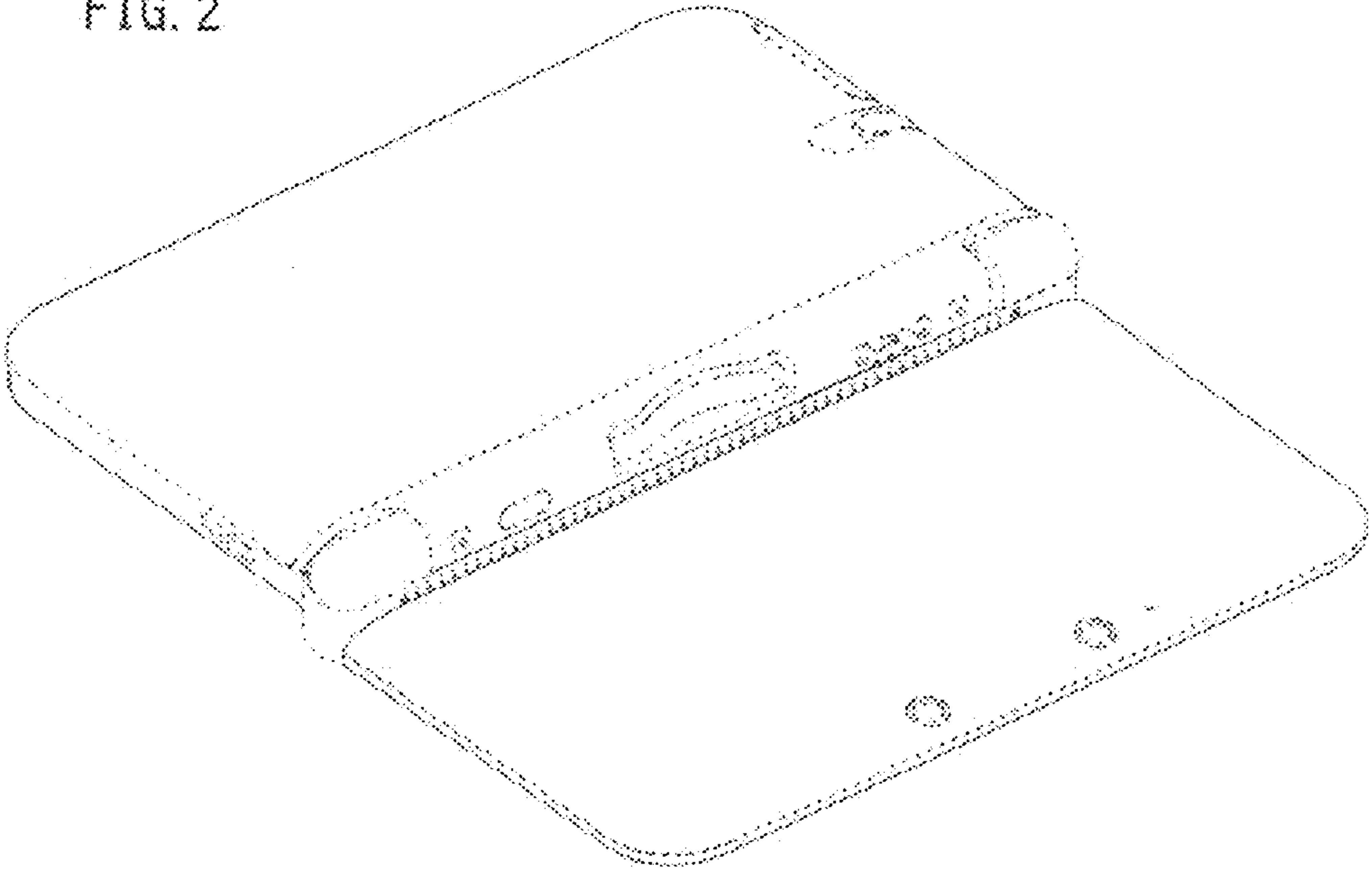


FIG. 3

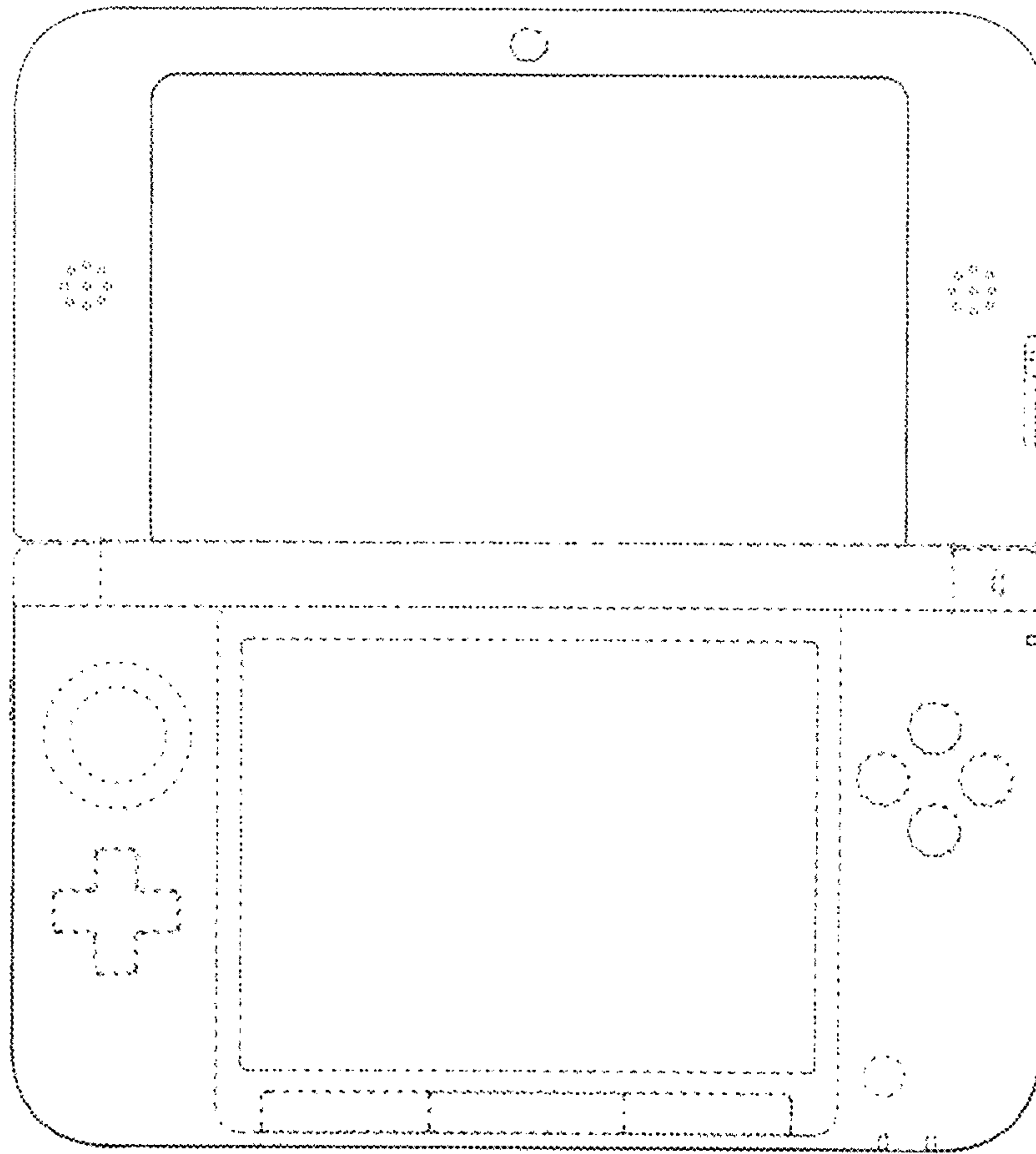


FIG. 4

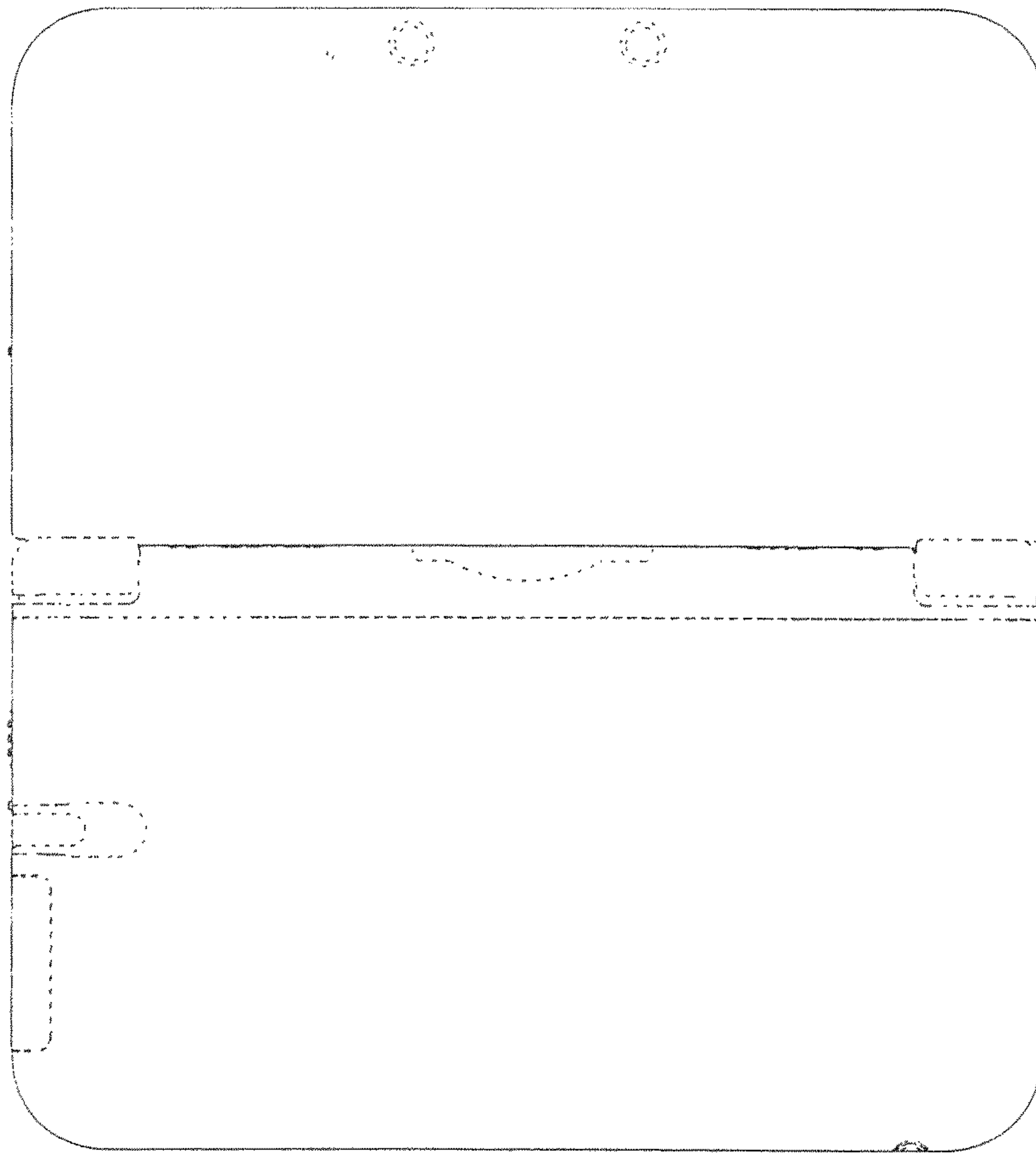


FIG. 5

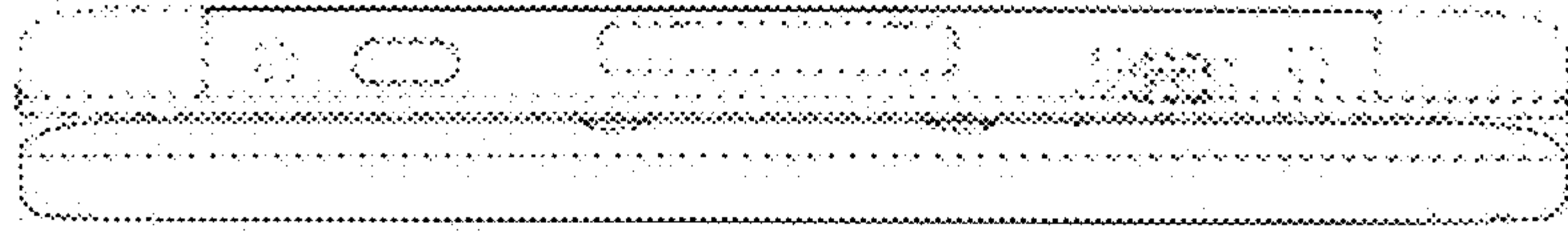


FIG. 6

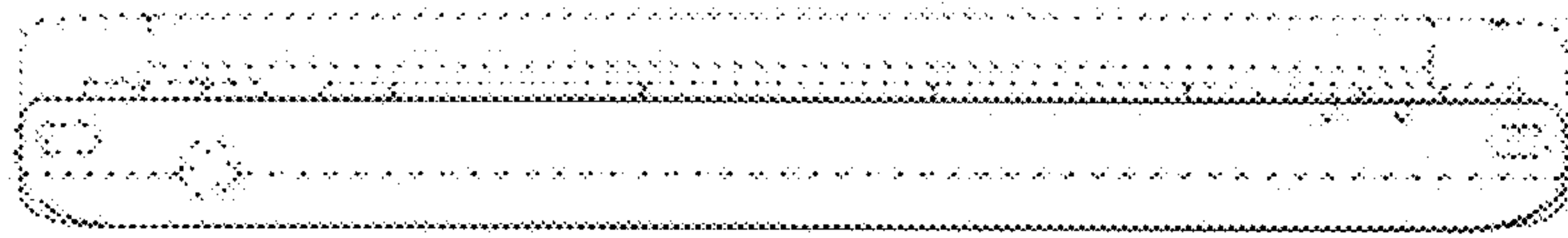


FIG. 7

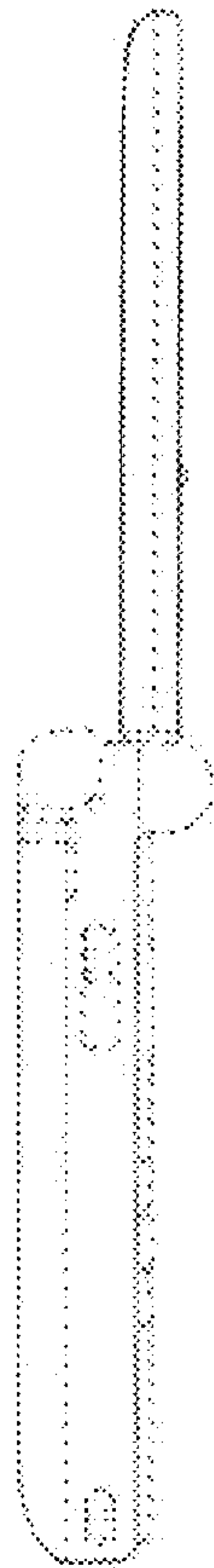


FIG. 8

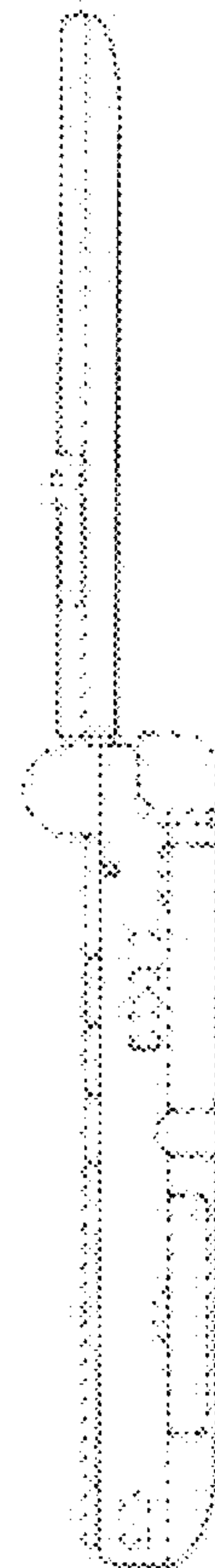


FIG. 9

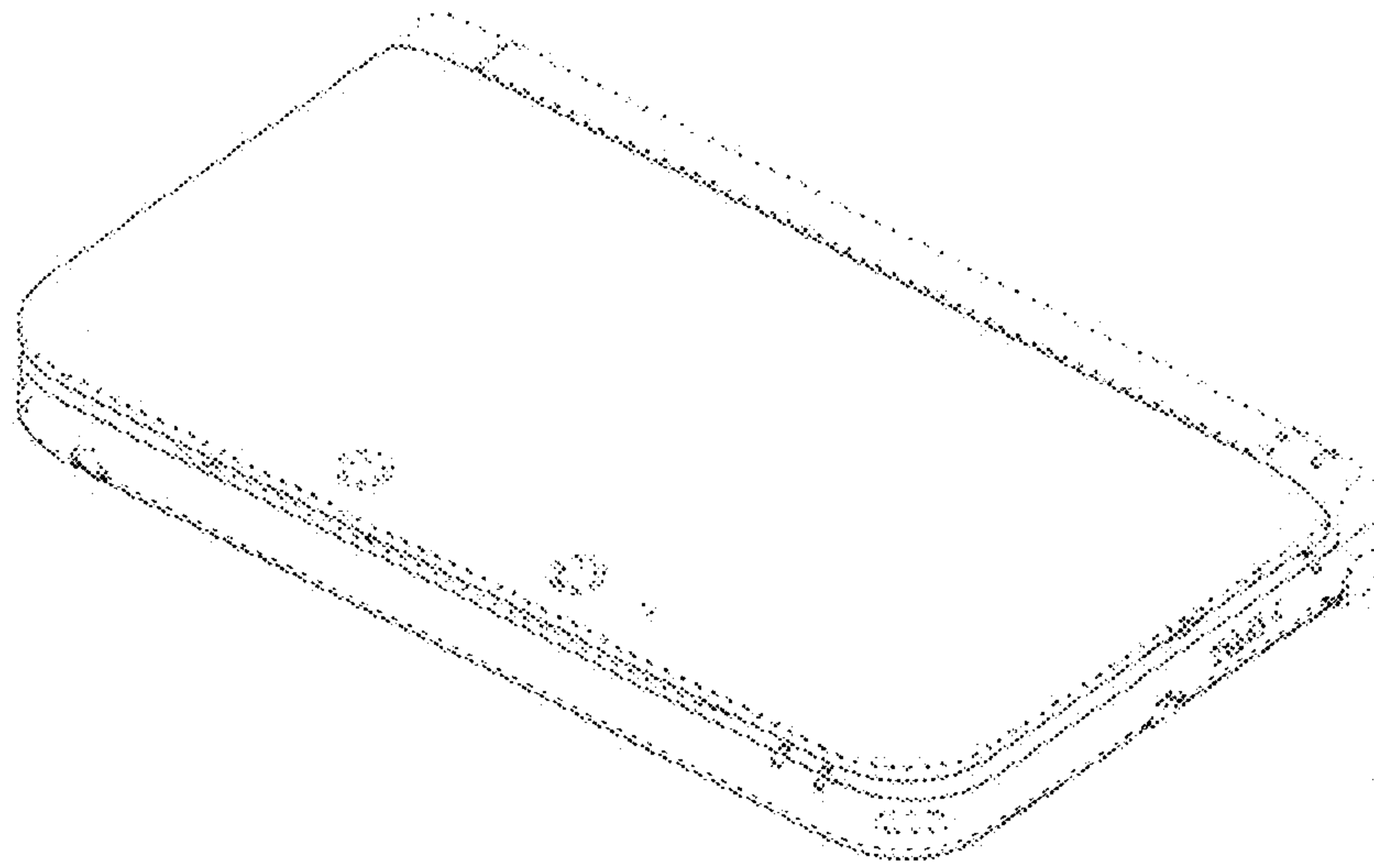


FIG. 10

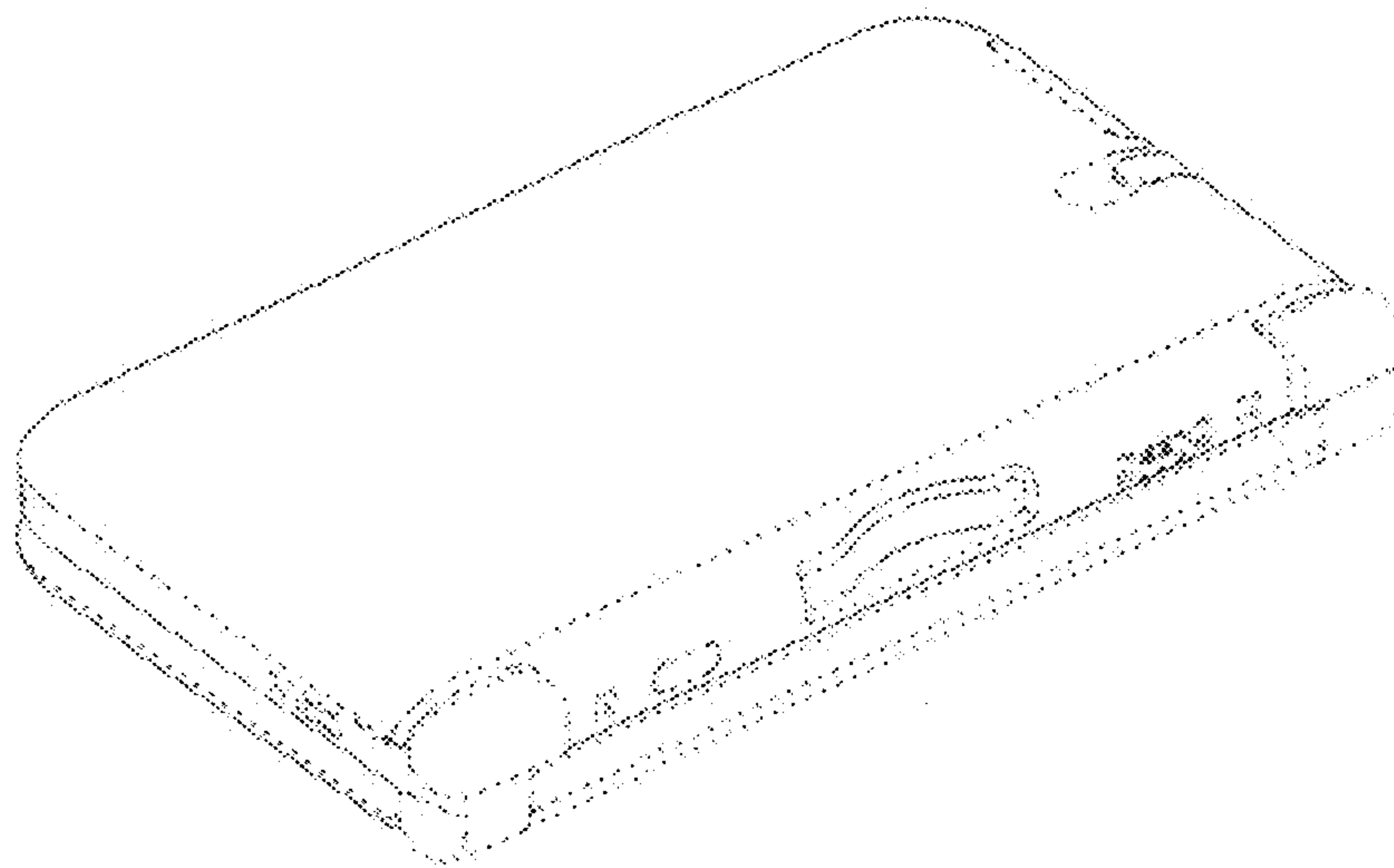


FIG. 11

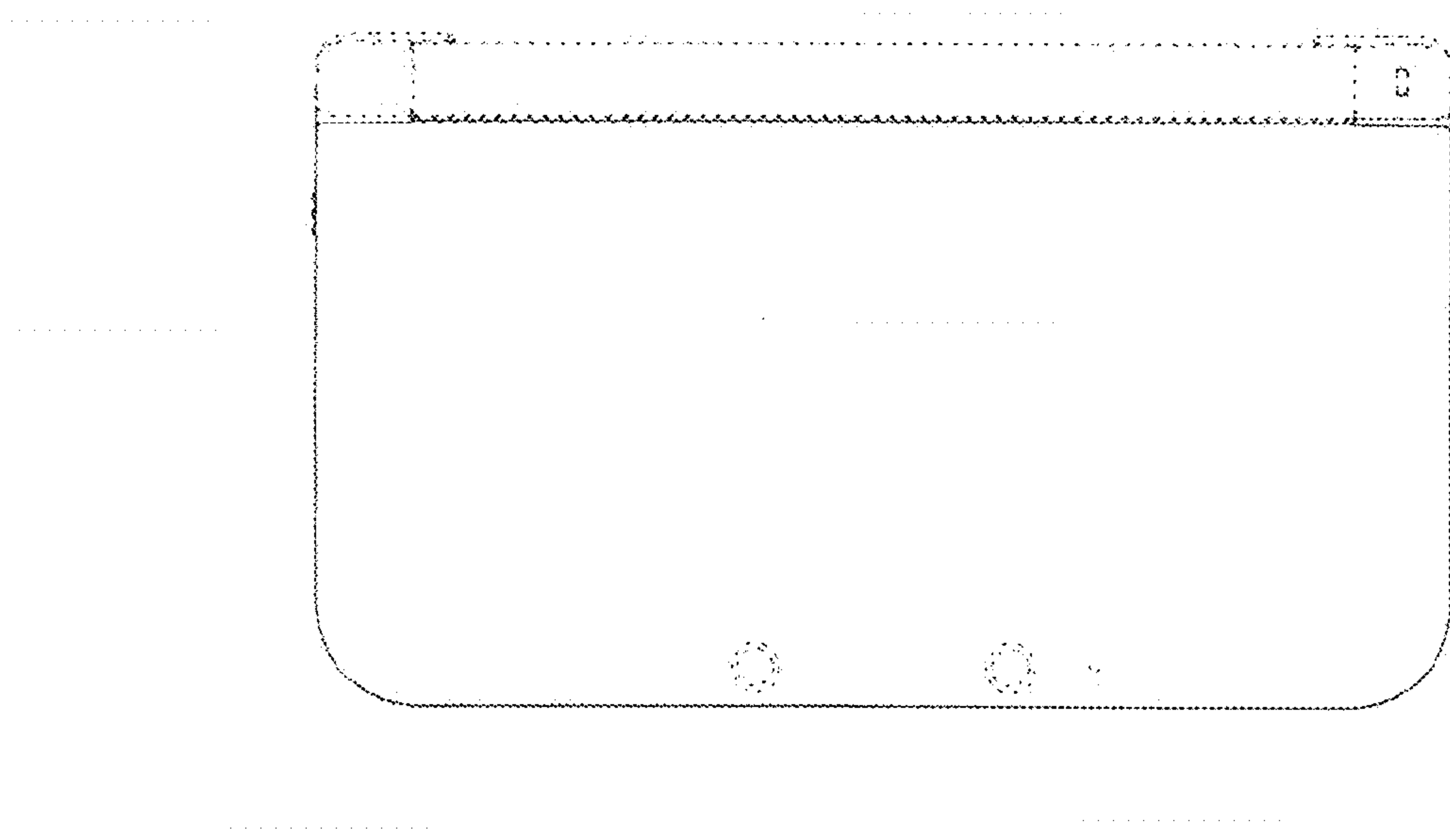


FIG. 12

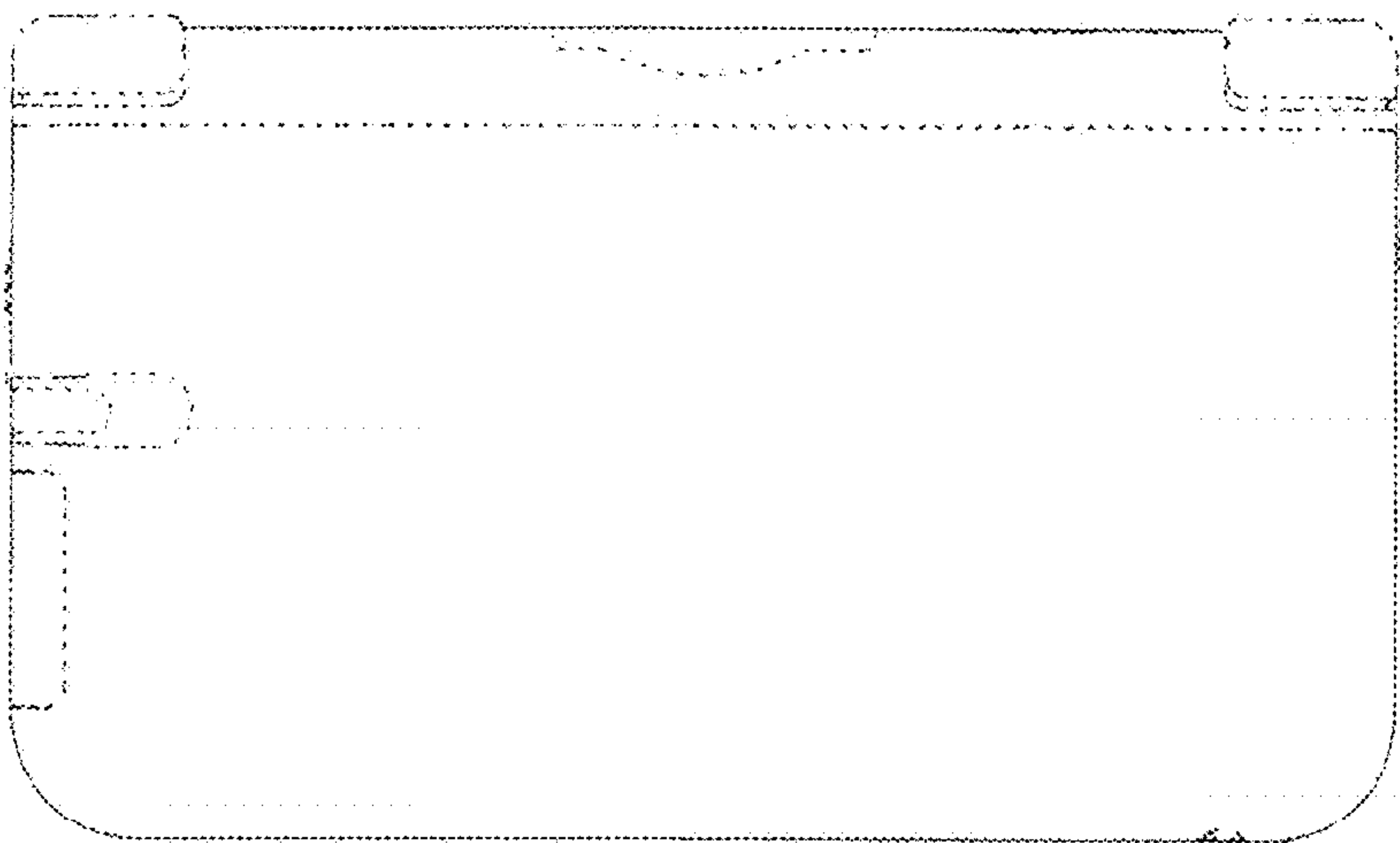


FIG. 13

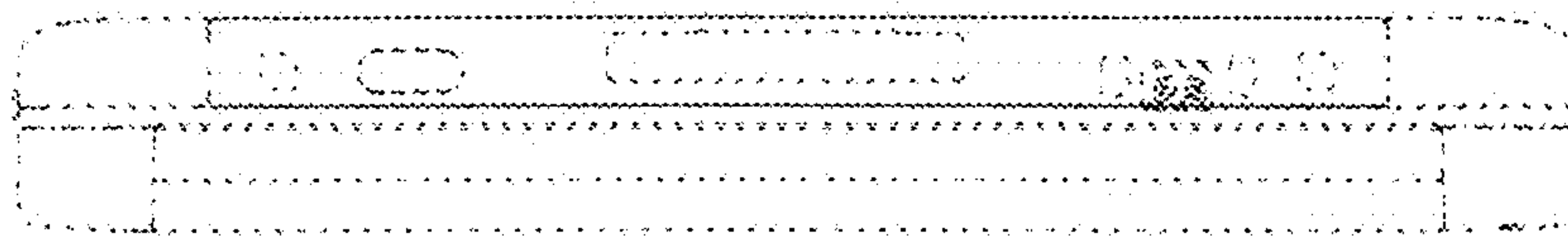


FIG. 14

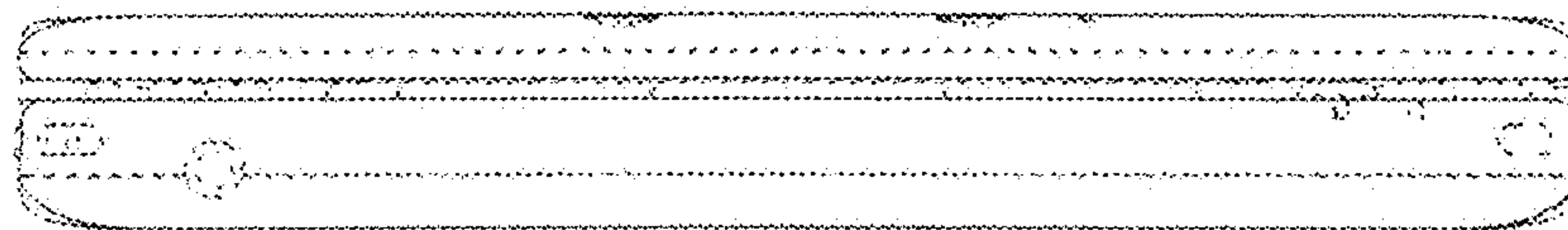


FIG. 15

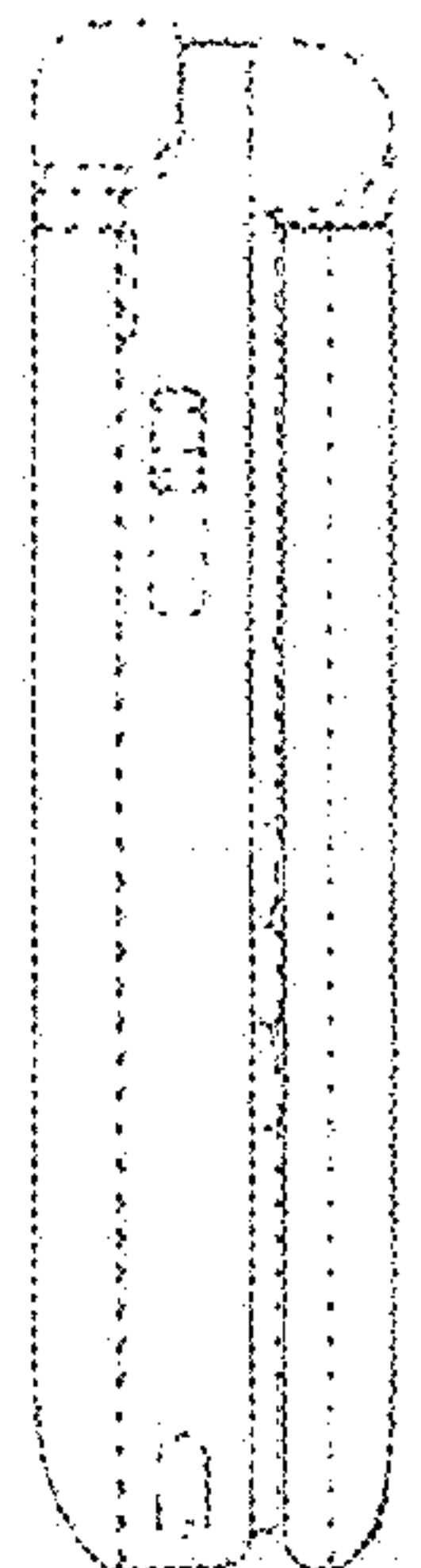


FIG. 16

