



US00D706355S

(12) **United States Design Patent**  
**Montenare**

(10) **Patent No.:** **US D706,355 S**  
(45) **Date of Patent:** **\*\* Jun. 3, 2014**

- (54) **FOOTBALL CORNHOLE BOARD**
- (71) Applicant: **Jeffrey Montenare**, High Point, NC (US)
- (72) Inventor: **Jeffrey Montenare**, High Point, NC (US)
- (\*\*) Term: **14 Years**
- (21) Appl. No.: **29/454,235**
- (22) Filed: **May 8, 2013**
- (51) **LOC (10) Cl.** ..... **21-01**
- (52) **U.S. Cl.**  
USPC ..... **D21/303**
- (58) **Field of Classification Search**  
USPC ..... D21/300-303, 385, 386, 390; 273/348, 273/398-402, 407, 127 R; 473/569, 587, 473/588, 593, 594  
See application file for complete search history.

(56) **References Cited**

**U.S. PATENT DOCUMENTS**

D330,227	S	*	10/1992	Franklin et al.	.....	D21/303
D334,777	S	*	4/1993	Caravella	.....	D21/303
5,320,360	A	*	6/1994	St. Pierre	.....	273/402
D401,308	S	*	11/1998	D’Emidio	.....	D21/303
D408,462	S	*	4/1999	Frycz	.....	D21/303
6,244,598	B1	*	6/2001	Conville	.....	273/402
6,866,268	B2	*	3/2005	Christianson	.....	273/401
7,775,525	B2	*	8/2010	Staver et al.	.....	273/317.5
7,887,059	B2	*	2/2011	Kiernan	.....	273/317.2
D645,520	S	*	9/2011	Dahl	.....	D21/303
D649,601	S	*	11/2011	Buchanan	.....	D21/303
D688,749	S	*	8/2013	Pavony	.....	D21/303

**OTHER PUBLICATIONS**

One (1) page printout from “jr.com” showing “J&R Regent 60599 Halex 4-in-1 Sport Bean Bag Toss Game” with four (4) different faces

for the following games: baseball, basketball, football, and hockey; each board consists of three (3) horizontal rows having three (3) holes each for a total of nine (9) holes; undated.  
Four (4) page printout from “amazon.com” showing a “Baseball Bean Bag Toss Game” by Century Novelty; the board comprising six (6) variously positioned holes; earliest customer review dated Sep. 12, 2009; copyright 1996-2013 Amazon.com, Inc.  
Fourteen (14) page printout of ACO American Cornhole Official Sport of Cornhole Rules; Revised Jan. 1, 2008.  
Six (6) page printout from “playcornhol.org/rules” showing American Cornhole Association, ACA Official Rules of Cornhole / Corn Toss (Last Revision Jul. 13, 2009); Copyright 2003 American Cornhole Association.  
Eight (8) page website printout from “americancornhole.org” showing ACO American Cornhole Official Rules; Copyright 2000-2013 American Cornhole Organization.

\* cited by examiner

*Primary Examiner* — Prabhakar Deshmukh

(74) *Attorney, Agent, or Firm* — Blake P. Hurt

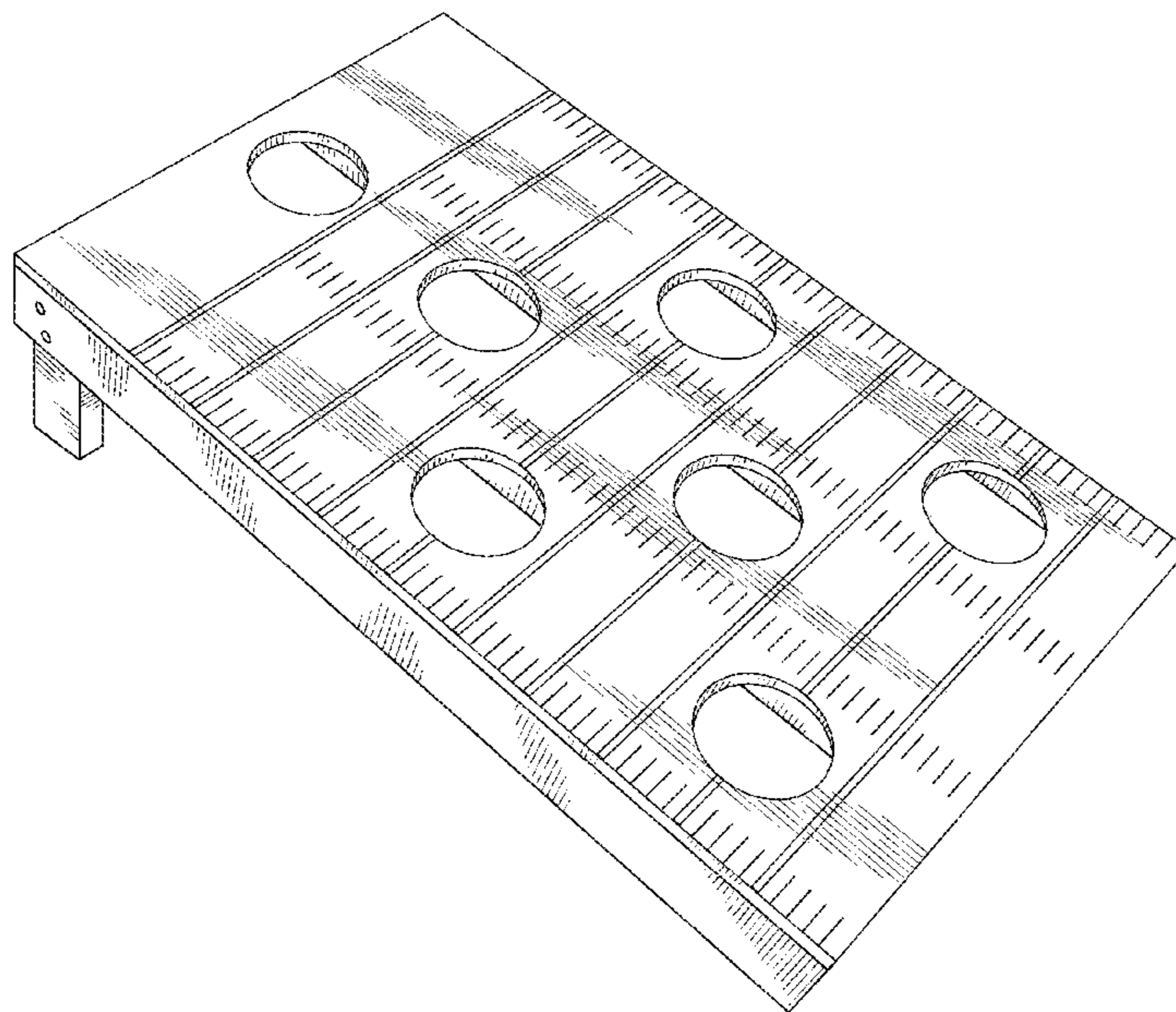
(57) **CLAIM**

The ornamental design for a football cornhole board, as shown and described.

**DESCRIPTION**

FIG. 1 is a front, left side perspective view of a football cornhole board showing my new design; FIG. 2 is a front elevational view thereof; FIG. 3 is a rear elevational view thereof; FIG. 4 is a top plan view thereof; FIG. 5 is a bottom plan view thereof; and, FIG. 6 is a left side elevational view thereof, the right side elevational view being a mirror image thereof.

**1 Claim, 5 Drawing Sheets**



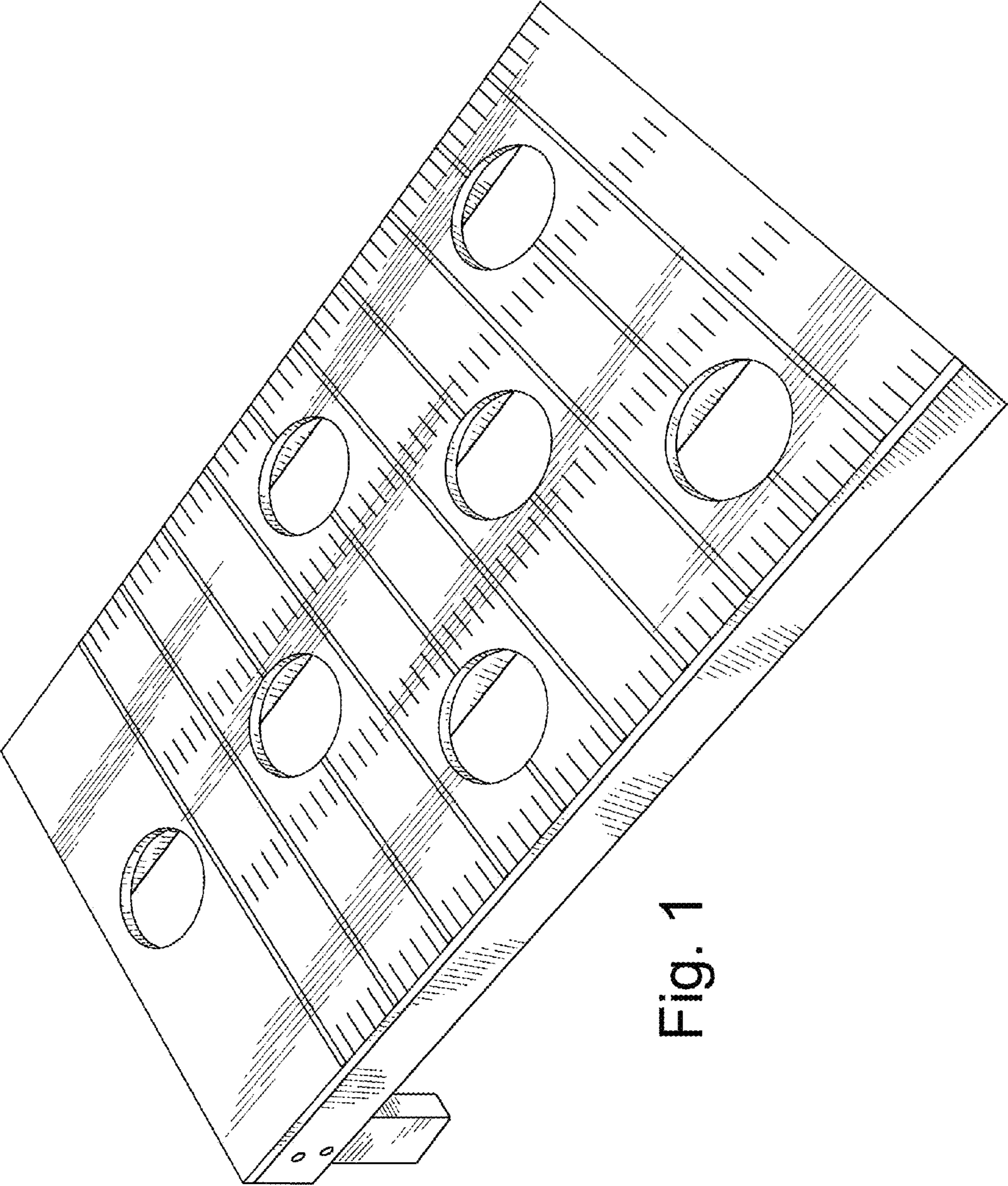


Fig. 1

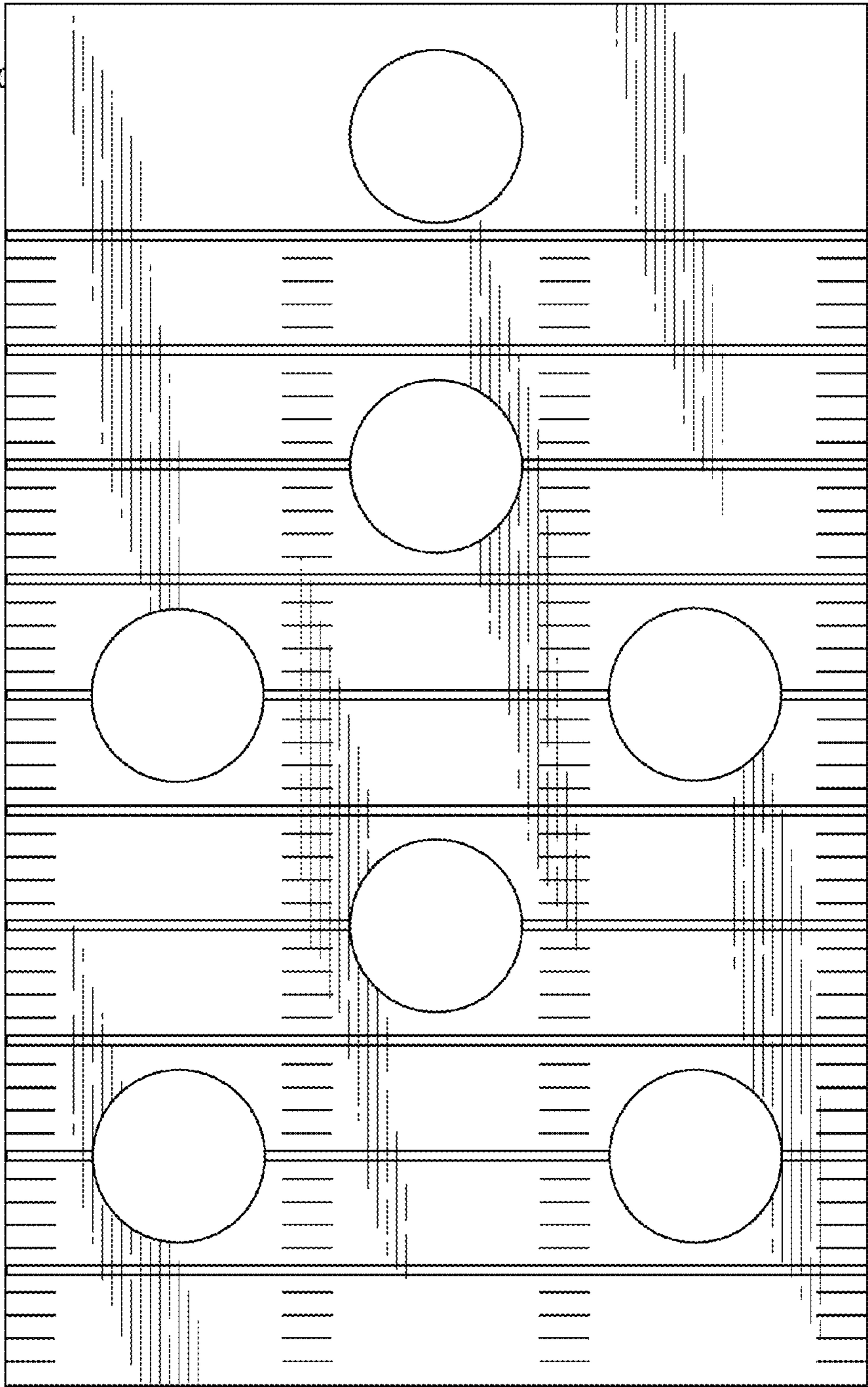


Fig. 2

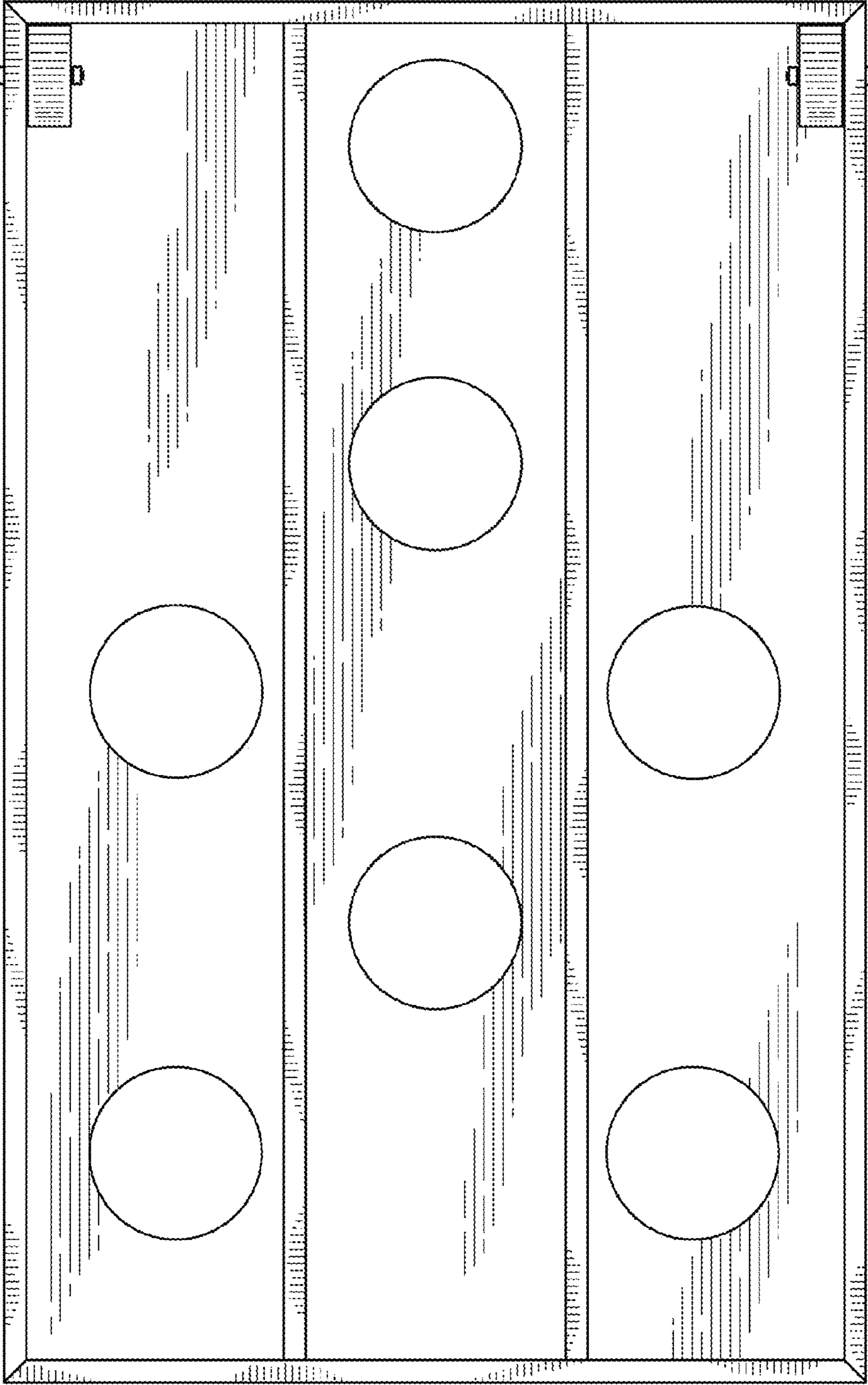


Fig. 3

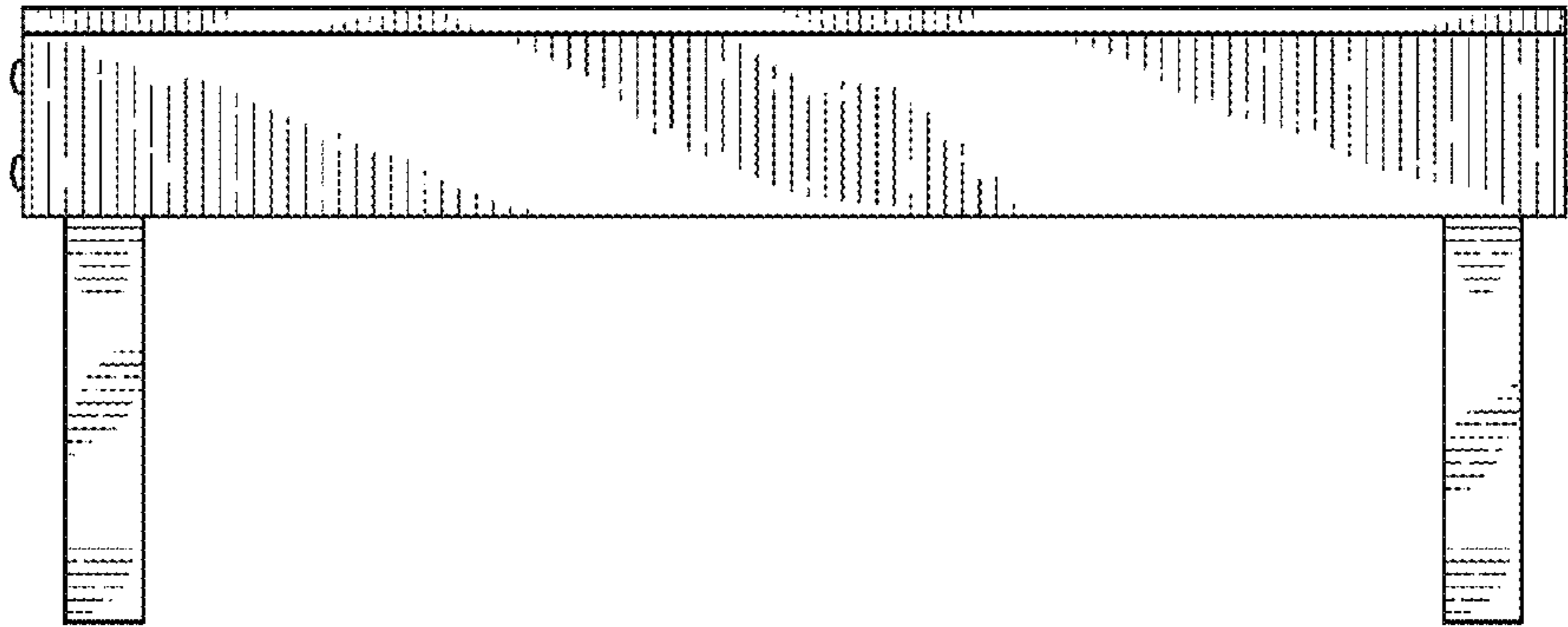


Fig. 4

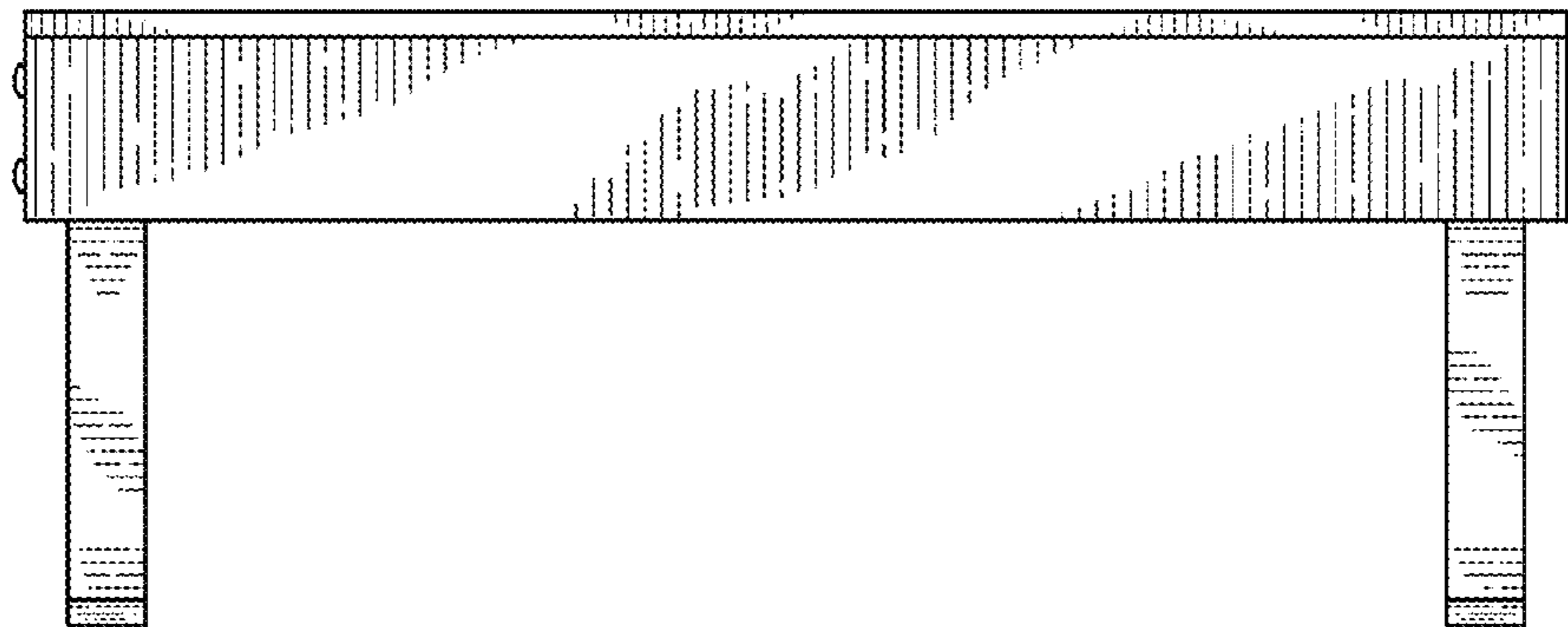


Fig. 5

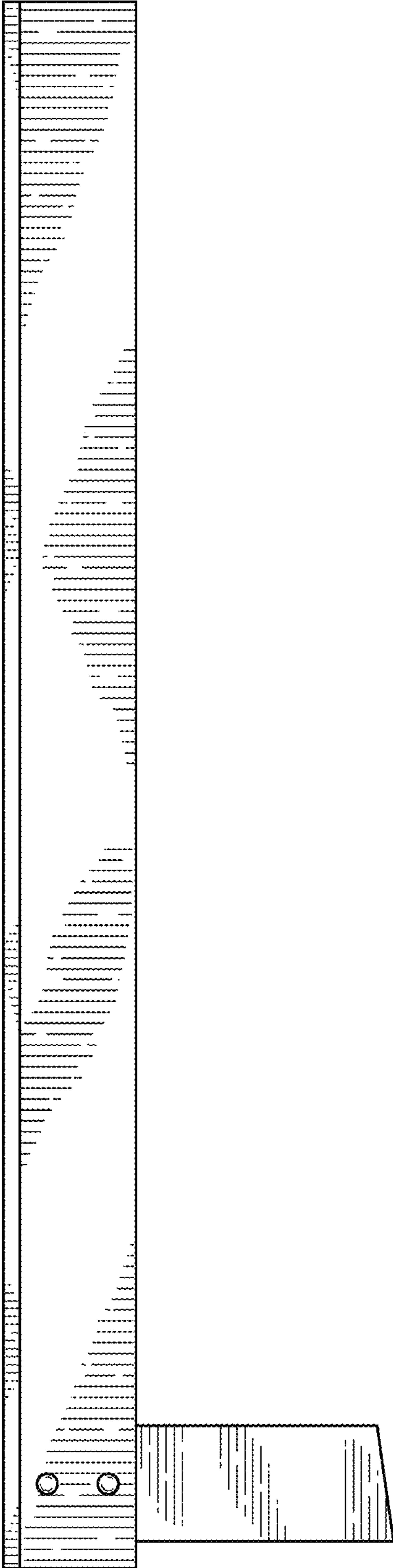


Fig. 6