



US00D706351S

(12) **United States Design Patent**
Egli et al.

(10) **Patent No.:** **US D706,351 S**
(45) **Date of Patent:** **** Jun. 3, 2014**

- (54) **BEVERAGE VENDING MACHINE**
 - (75) Inventors: **Peter Egli**, Herrenschwanden (CH);
Florian Widmer, Rudolfstetten (CH)
 - (73) Assignee: **Schaerer AG**, Zuchwil (CH)
 - (**) Term: **14 Years**
 - (21) Appl. No.: **29/415,439**
 - (22) Filed: **Mar. 9, 2012**
 - (51) **LOC (10) Cl.** **20-01**
 - (52) **U.S. Cl.**
USPC **D20/4**
 - (58) **Field of Classification Search**
USPC D20/1-9; 221/2, 6, 12, 123, 149, 15 R,
221/155, 156, 187, 190, 215; D7/300,
D7/305-312; D15/79, 81, 89; D99/28;
312/36; 222/129, 135, 144.5, 185.1;
197/239
- See application file for complete search history.

- D306,092 S * 2/1990 Rockola D20/5
- D362,689 S * 9/1995 Goldman et al. D20/1
- D481,418 S * 10/2003 Meldrum et al. D20/8
- D541,351 S * 4/2007 Tidman et al. D20/8
- D579,982 S * 11/2008 Mori D20/8
- D638,476 S * 5/2011 Hoffman et al. D20/1

* cited by examiner

Primary Examiner — Mary Ann Calabrese
(74) *Attorney, Agent, or Firm* — Birch, Stewart, Kolasch & Birch, LLP.

(56) **References Cited**

U.S. PATENT DOCUMENTS

- D53,272 S * 5/1919 Messinger D20/1
- D103,418 S * 3/1937 Walzer D20/1
- D157,101 S * 1/1950 Stempel D20/5
- D180,267 S * 5/1957 Bookout D20/5
- D195,141 S * 4/1963 Boldt D20/5
- 3,119,518 A * 1/1964 Eschenburg et al. 221/96

(57) **CLAIM**

The ornamental design for a beverage vending machine, as shown and described.

DESCRIPTION

FIG. 1 is a front view of a first embodiment of a beverage vending machine showing my new design; FIG. 2 is a right side view thereof; FIG. 3 is a left side view thereof; FIG. 4 is a top view thereof; FIG. 5 is a bottom view thereof; and, FIG. 6 is a front right perspective view thereof. In the drawings, the broken lines represent portions of the beverage vending machine that form no part of the claimed design.

1 Claim, 6 Drawing Sheets

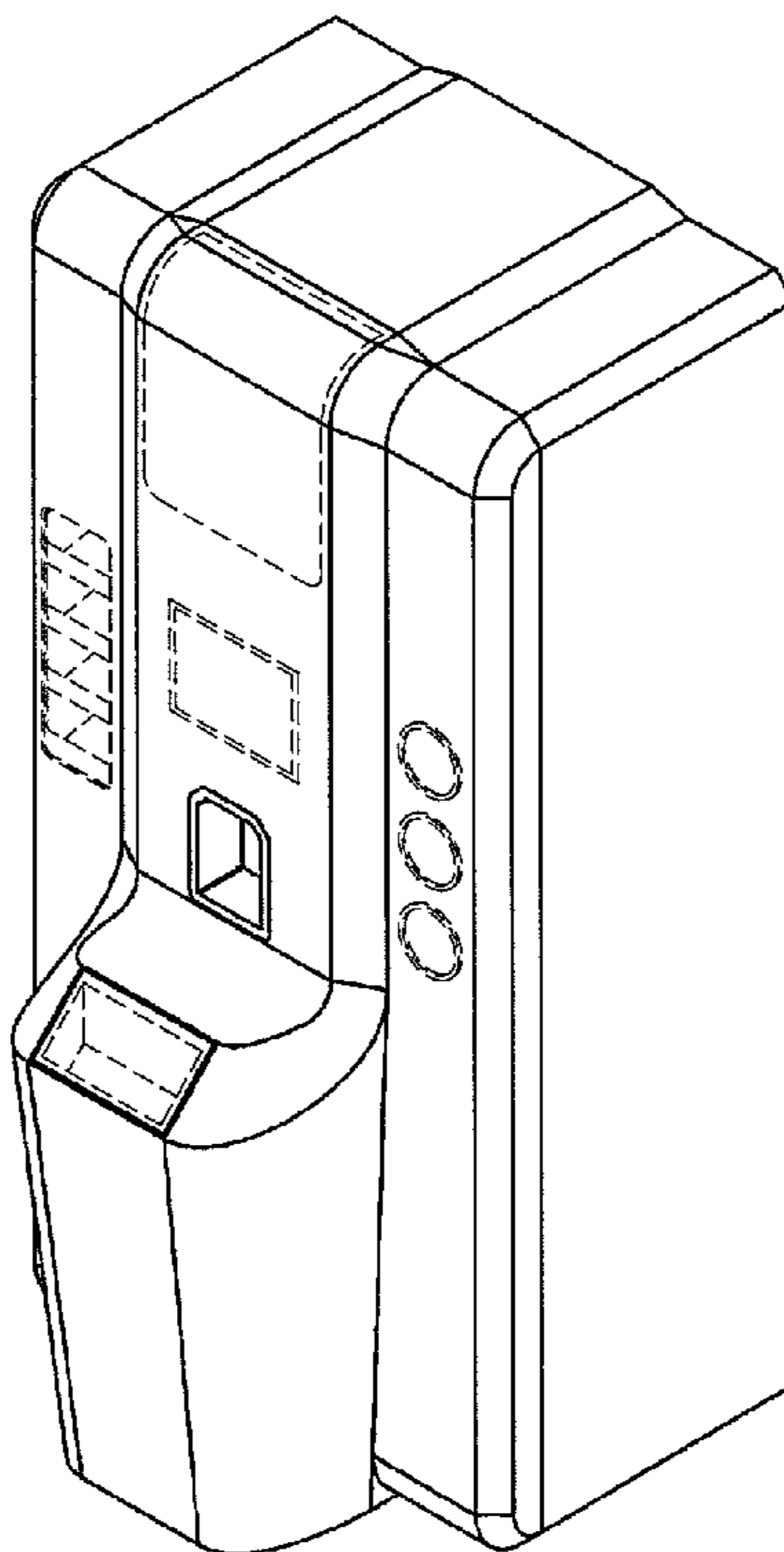


FIG. 1

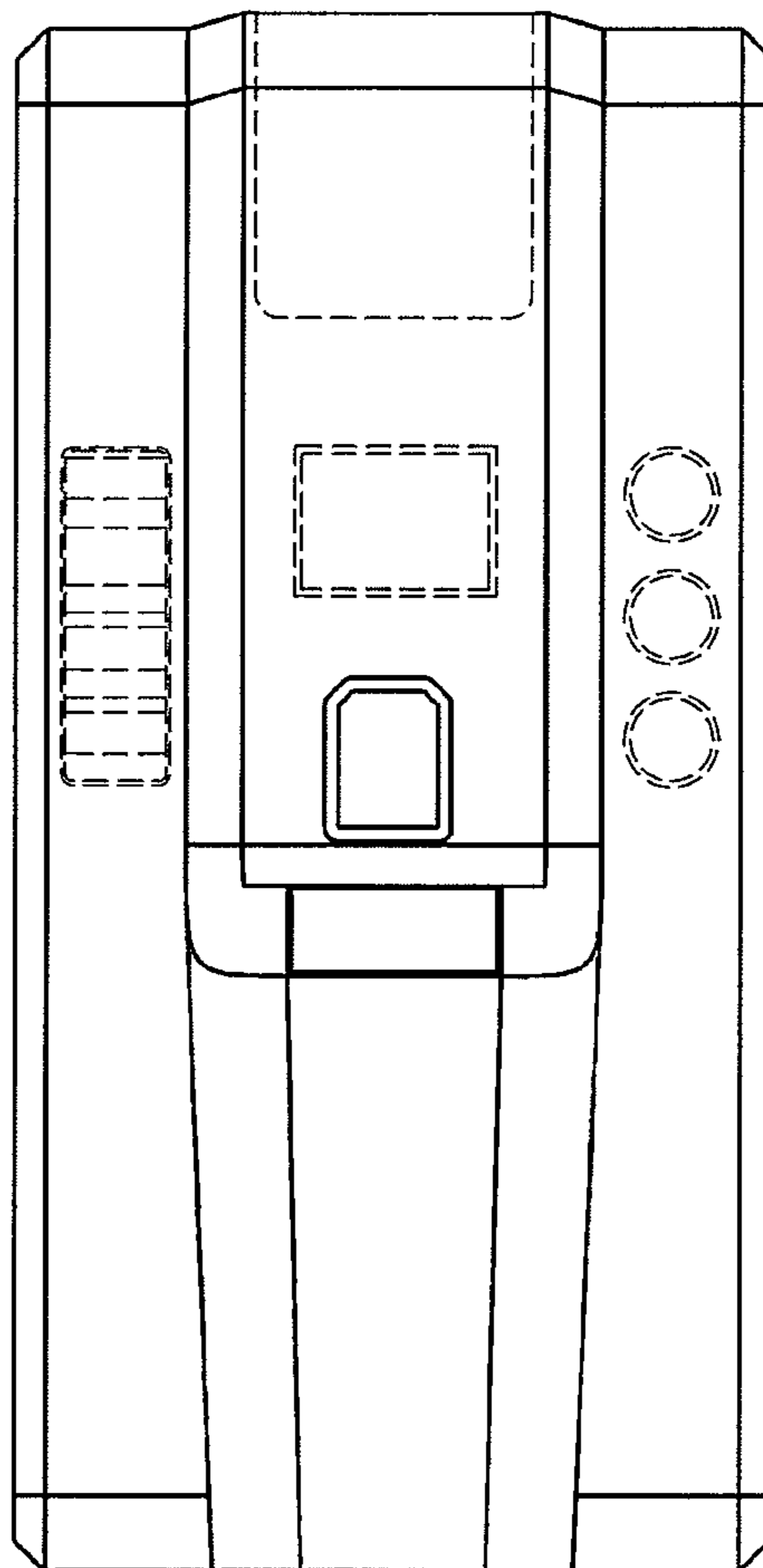


FIG. 2

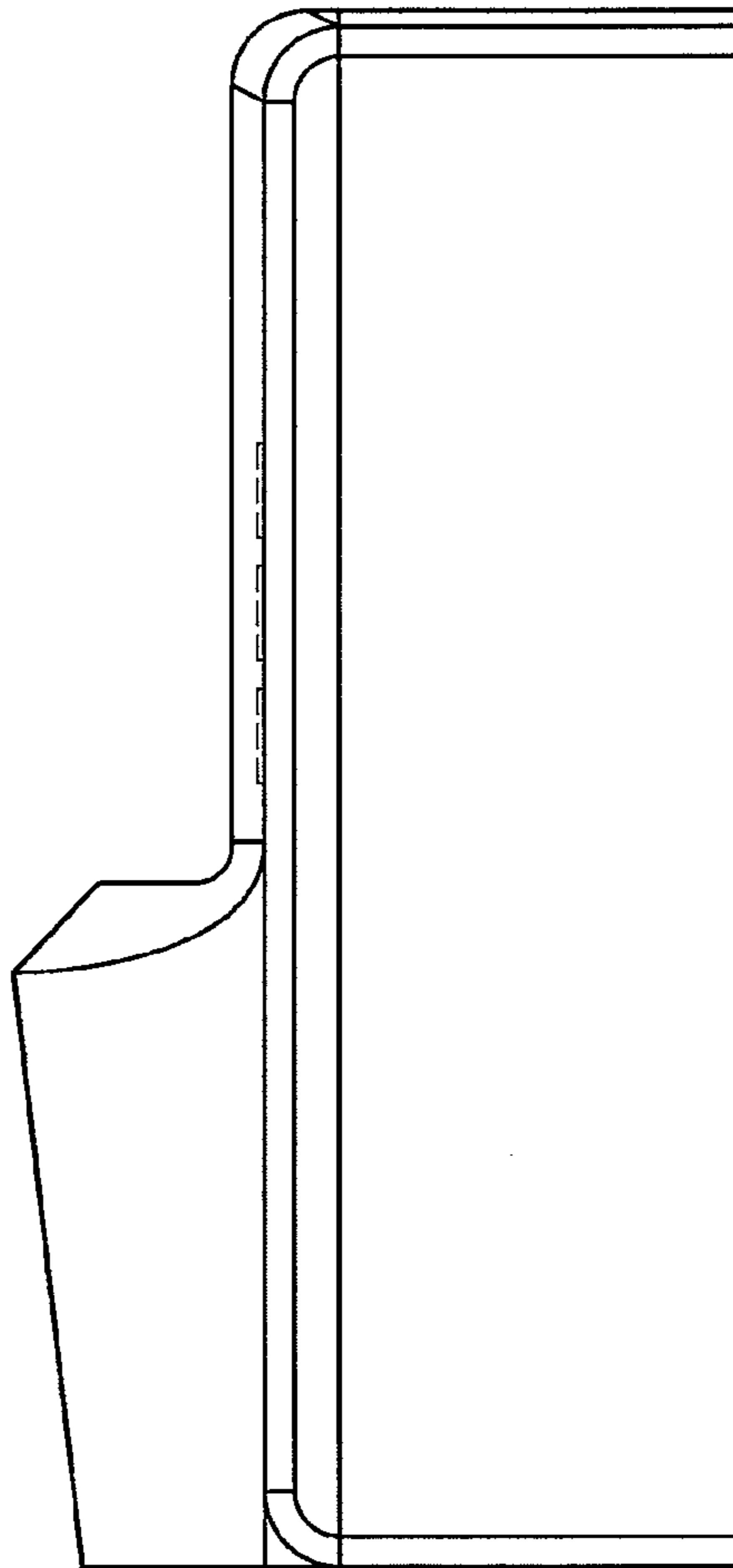


FIG. 3

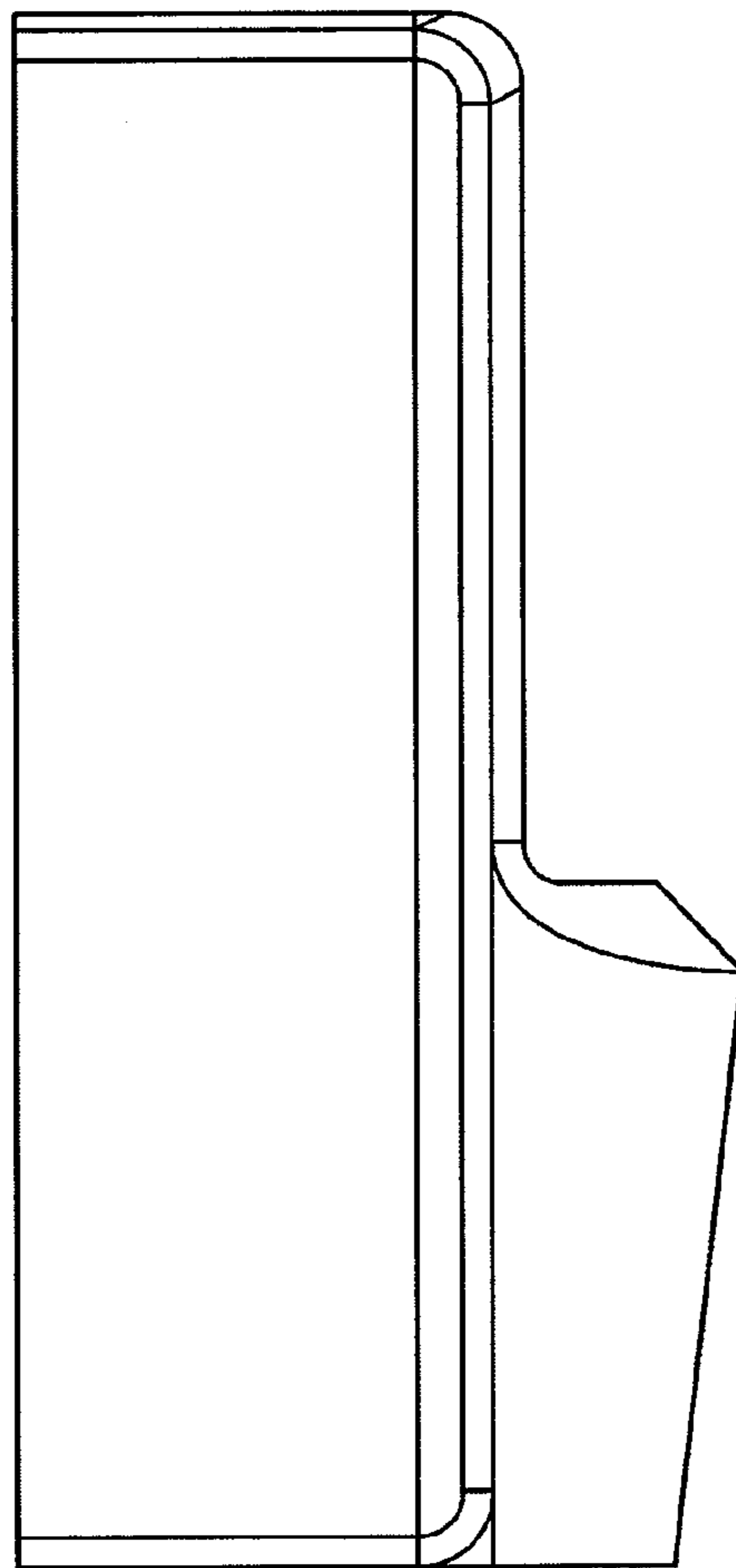


FIG. 4

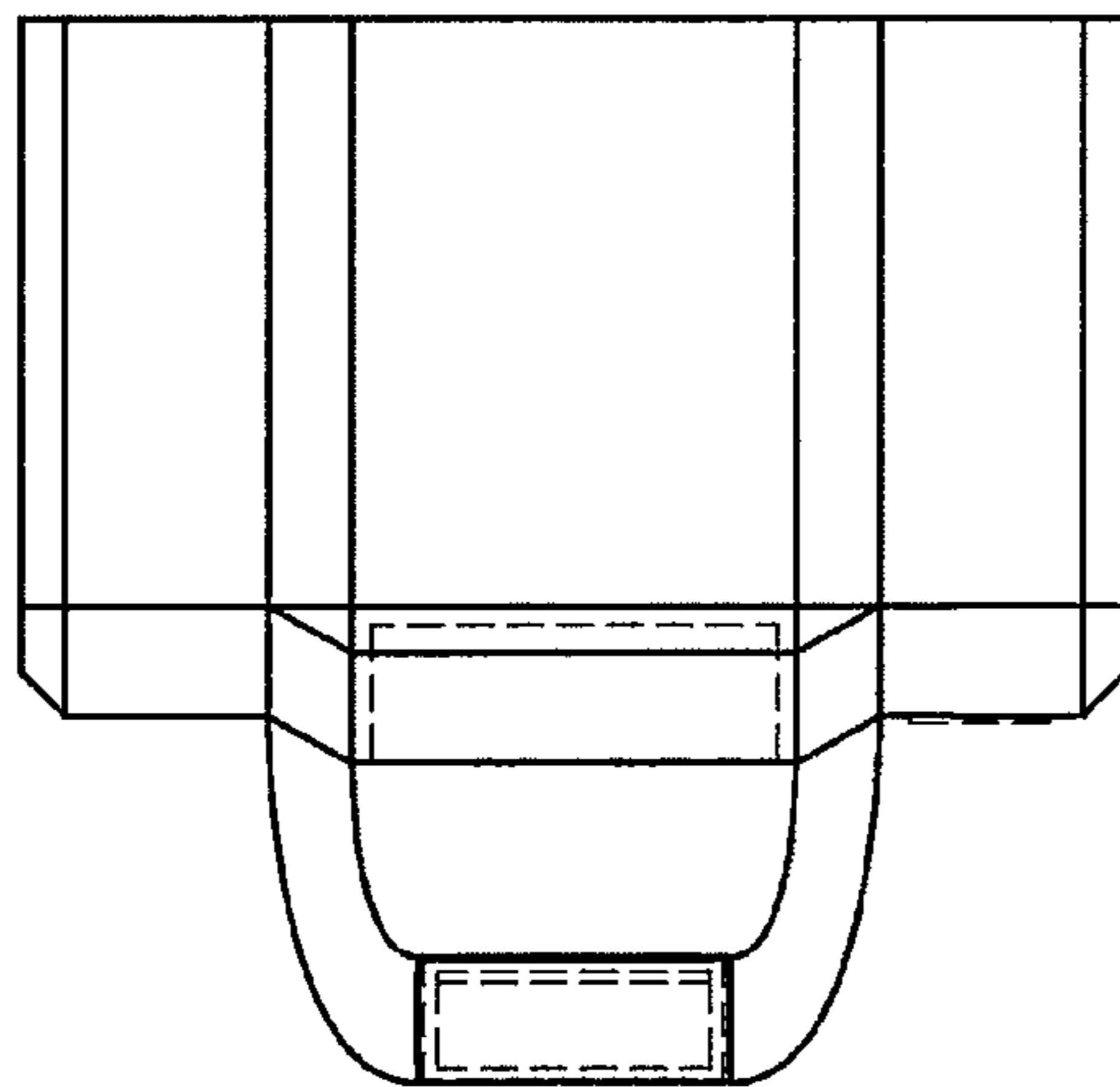


FIG. 5

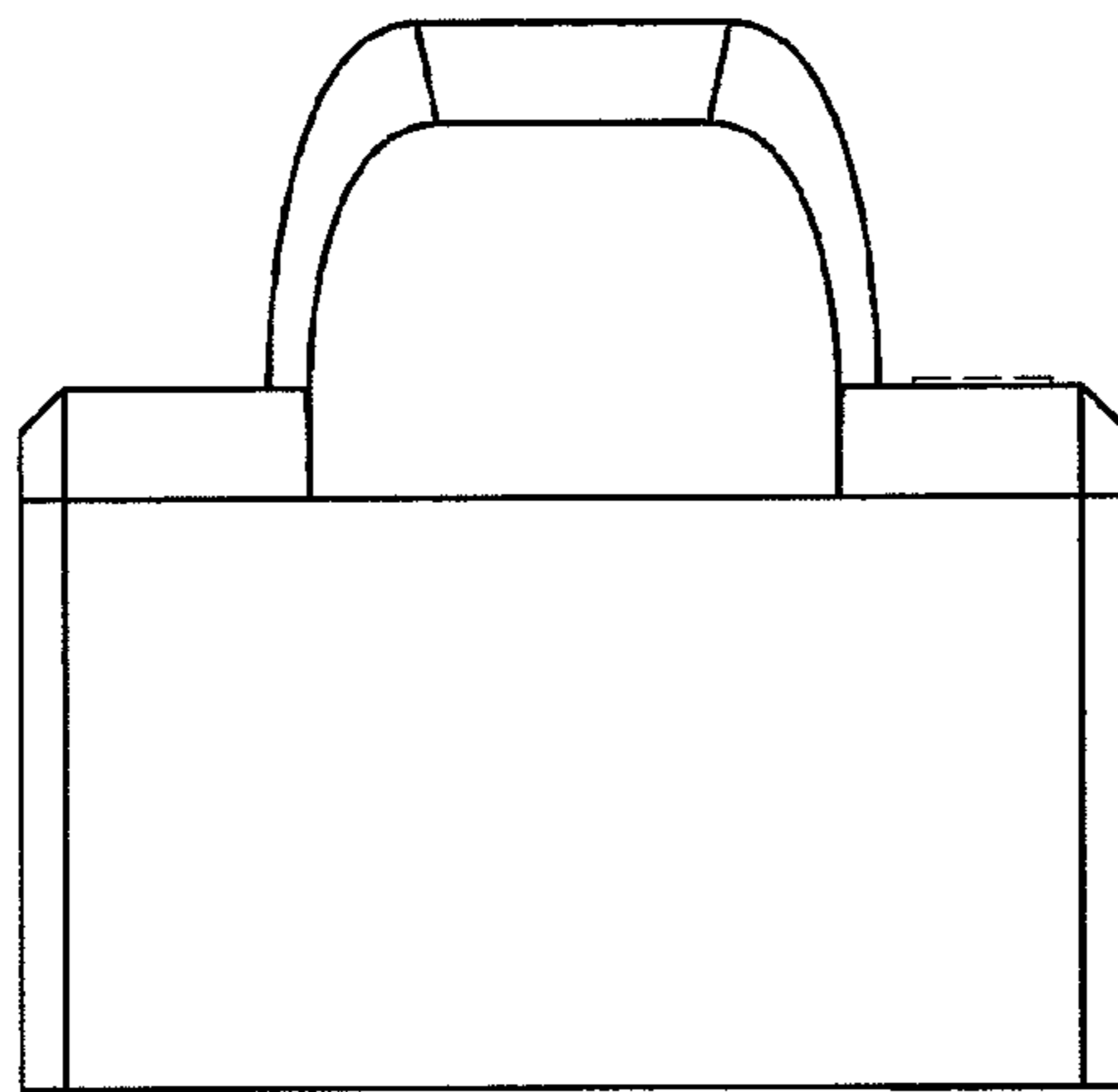


FIG. 6

