



US00D706348S

(12) **United States Design Patent**  
**Inoue et al.**

(10) **Patent No.:** **US D706,348 S**  
(45) **Date of Patent:** **\*\* Jun. 3, 2014**

- (54) **BALLPOINT PEN**
- (71) Applicant: **Sakura Color Products Corporation,**  
Osaka (JP)
- (72) Inventors: **Yuki Inoue,** Osaka (JP); **Masahiro**  
**Yasunaga,** Osaka (JP)
- (73) Assignee: **Sakura Color Products Corporation,**  
Osaka (JP)

- D395,447 S \* 6/1998 Izushima ..... D19/49
- D404,428 S \* 1/1999 Takahashi ..... D19/49
- D421,053 S \* 2/2000 Izushima ..... D19/51
- D445,131 S \* 7/2001 Keda ..... D19/51
- D451,547 S \* 12/2001 Nishida ..... D19/48
- D491,983 S \* 6/2004 Izushima ..... D19/49
- D500,522 S \* 1/2005 Rommel ..... D19/51
- D531,666 S \* 11/2006 Volk ..... D19/50
- D532,453 S \* 11/2006 Tatic ..... D19/50

(Continued)

- (\*\*) Term: **14 Years**
- (21) Appl. No.: **29/465,239**
- (22) Filed: **Aug. 26, 2013**

**Related U.S. Application Data**

- (62) Division of application No. 29/431,638, filed on Sep.  
10, 2012, now Pat. No. Des. 691,655.

(30) **Foreign Application Priority Data**

- Jun. 4, 2012 (JP) ..... 2012-013160
- Jun. 4, 2012 (JP) ..... 2012-013161

- (51) **LOC (10) Cl.** ..... **19-06**

- (52) **U.S. Cl.**  
USPC ..... **D19/174**

- (58) **Field of Classification Search**  
USPC ..... D14/411; D19/35, 36, 41-51, 53-58;  
24/11 F, 11 P, 11 R; 401/52, 99-109,  
401/192, 195, 196  
See application file for complete search history.

(56) **References Cited**

**U.S. PATENT DOCUMENTS**

- 3,320,962 A \* 5/1967 Moriber et al. .... 401/31
- D346,401 S \* 4/1994 Sakuno ..... D19/48
- D377,664 S \* 1/1997 Izushima ..... D19/51

**FOREIGN PATENT DOCUMENTS**

- JP 0675005 3/1986

**OTHER PUBLICATIONS**

Notification of Reason for Refusal, Design Application No. 2012-013161, Drafting Date: Oct. 11, 2012.  
Decision on Rejection, Design Application No. 2012-013161, Drafting Date: Jul. 11, 2013.

*Primary Examiner* — Elizabeth Albert

(74) *Attorney, Agent, or Firm* — McDonald Hopkins LLC

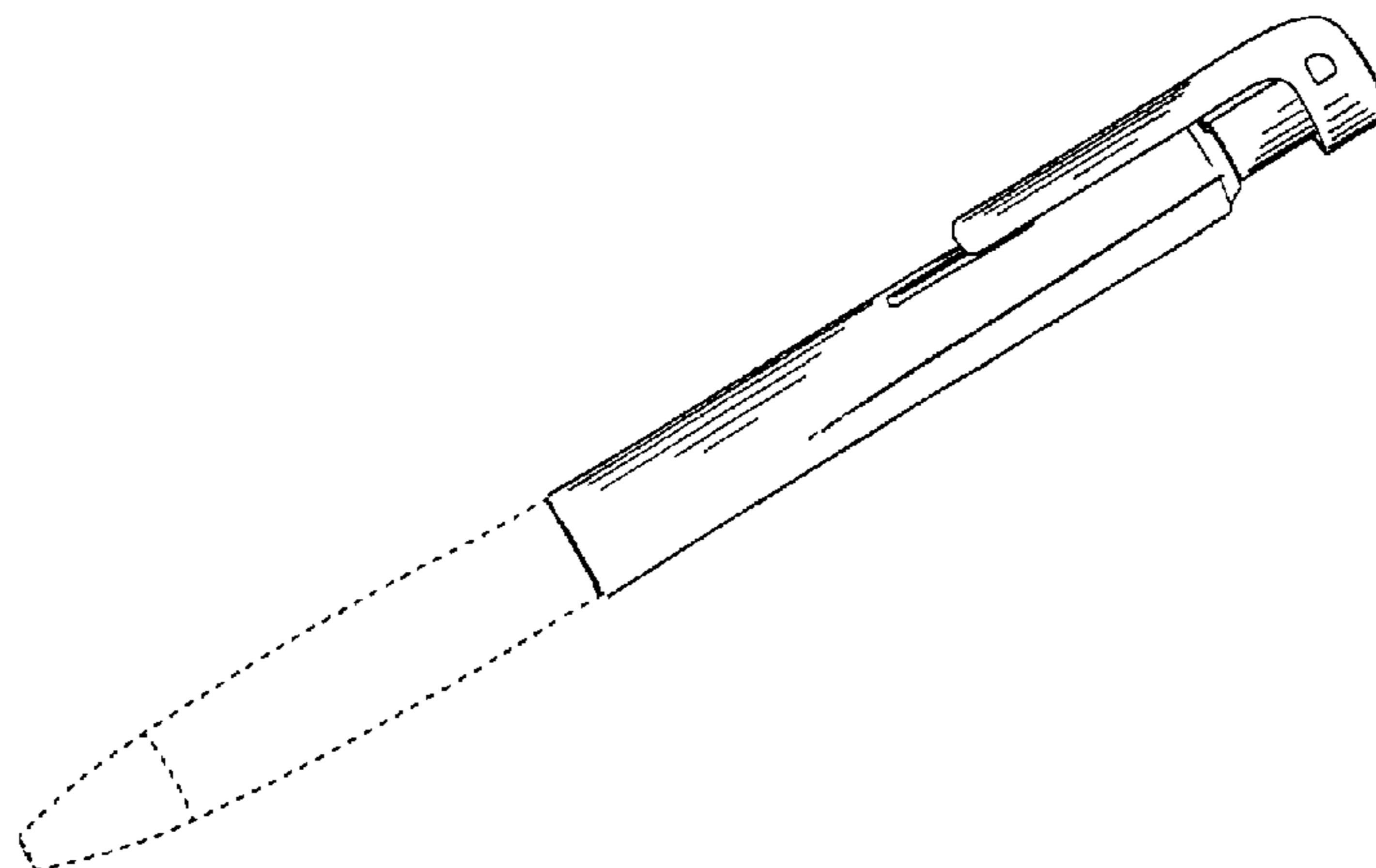
(57) **CLAIM**

The ornamental design for a ballpoint pen, as shown and described.

**DESCRIPTION**

FIG. 1 is a perspective view of a ballpoint pen showing our new design;  
FIG. 2 is a front view thereof;  
FIG. 3 is a back view thereof;  
FIG. 4 is a bottom view thereof;  
FIG. 5 is a top view thereof;  
FIG. 6 is a right view thereof; and,  
FIG. 7 is a left view thereof.  
The broken lines in FIGS. 1-4, 6, and 7 are included for the purpose of showing portions of the ballpoint pen that form no part of the claimed design.

**1 Claim, 6 Drawing Sheets**



# US D706,348 S

Page 2

---

(56)

## References Cited

### U.S. PATENT DOCUMENTS

D546,389 S \* 7/2007 Chiaruttini ..... D19/48  
D561,833 S \* 2/2008 Cetera et al. .... D19/56

D572,757 S \* 7/2008 Qiu et al. .... D19/48  
D631,096 S \* 1/2011 Mizutani ..... D19/45  
D667,881 S \* 9/2012 Li ..... D19/48  
D672,815 S \* 12/2012 Li ..... D19/51

\* cited by examiner

Fig. 1

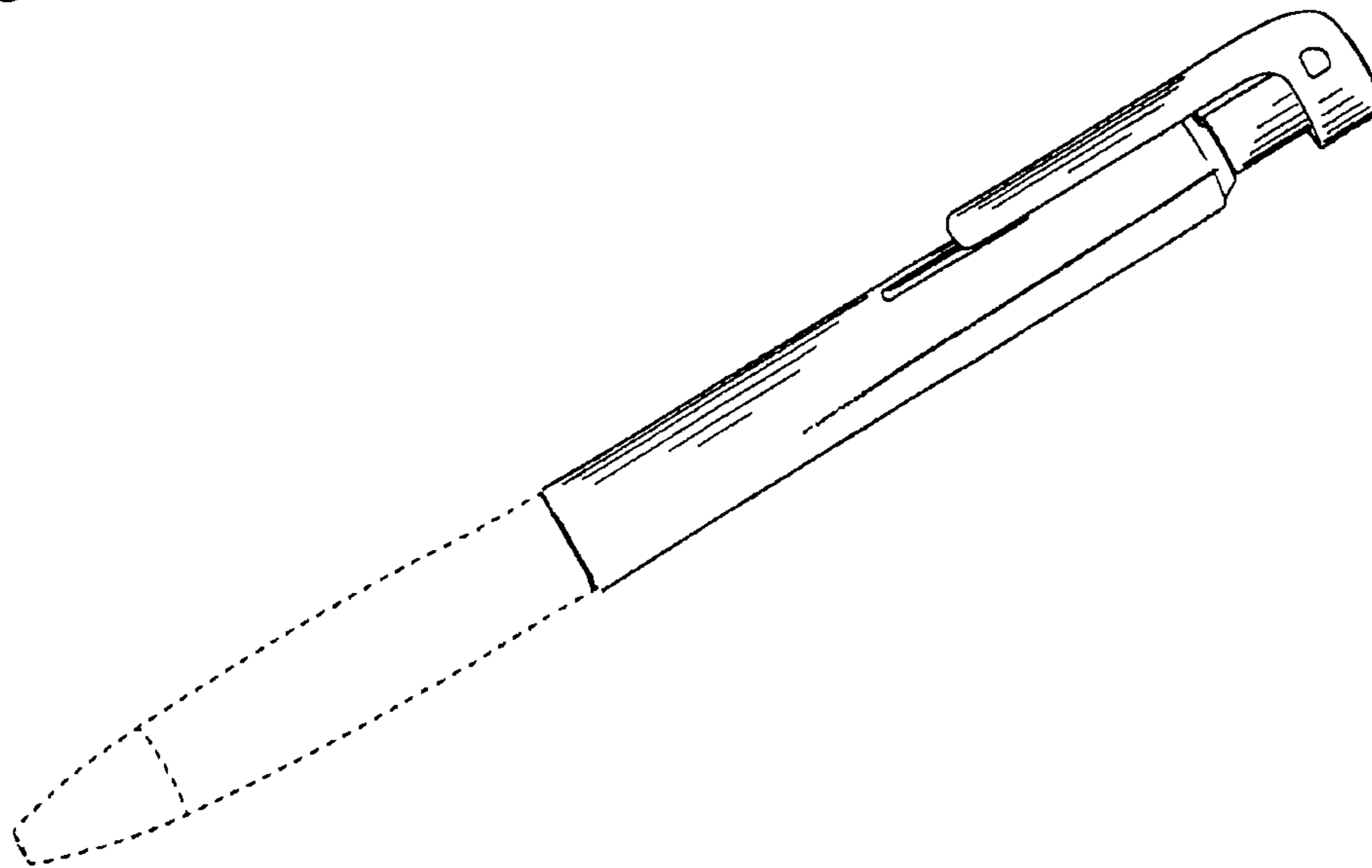


Fig. 2



Fig. 3



Fig. 4



Fig. 5



Fig. 6



Fig. 7

