



US00D706346S

(12) **United States Design Patent**
Fagan

(10) **Patent No.:** **US D706,346 S**
(45) **Date of Patent:** **** Jun. 3, 2014**

- (54) **PANTOGRAPH BASE ARM**
- (71) Applicant: **Matthew Fagan**, Middle Park (AU)
- (72) Inventor: **Matthew Fagan**, Middle Park (AU)
- (**) Term: **14 Years**
- (21) Appl. No.: **29/450,479**
- (22) Filed: **Mar. 18, 2013**

D505,858 S * 6/2005 O'Keene D8/355
 6,935,883 B2 8/2005 Oddsen, Jr.
 D537,323 S * 2/2007 Saez D8/363
 7,198,237 B2 * 4/2007 Cho et al. 248/133
 D543,210 S 5/2007 Stenhouse et al.
 D543,211 S * 5/2007 Petrick et al. D14/452
 D553,957 S * 10/2007 Brassard D8/363

(Continued)

Primary Examiner — Elizabeth Albert
(74) *Attorney, Agent, or Firm* — Lathrop & Gage LLP

Related U.S. Application Data

- (62) Division of application No. 29/387,992, filed on Mar. 22, 2011.
- (51) **LOC (10) Cl.** **19-06**
- (52) **U.S. Cl.**
USPC **D19/108**
- (58) **Field of Classification Search**
USPC D14/239, 452; D15/28, 138, 140, 141,
D15/199; D19/35; D34/33, 35, 36;
248/276.1, 277.1, 920; D8/363
See application file for complete search history.

(57) **CLAIM**

The ornamental design for a pantograph base arm, as shown and described.

DESCRIPTION

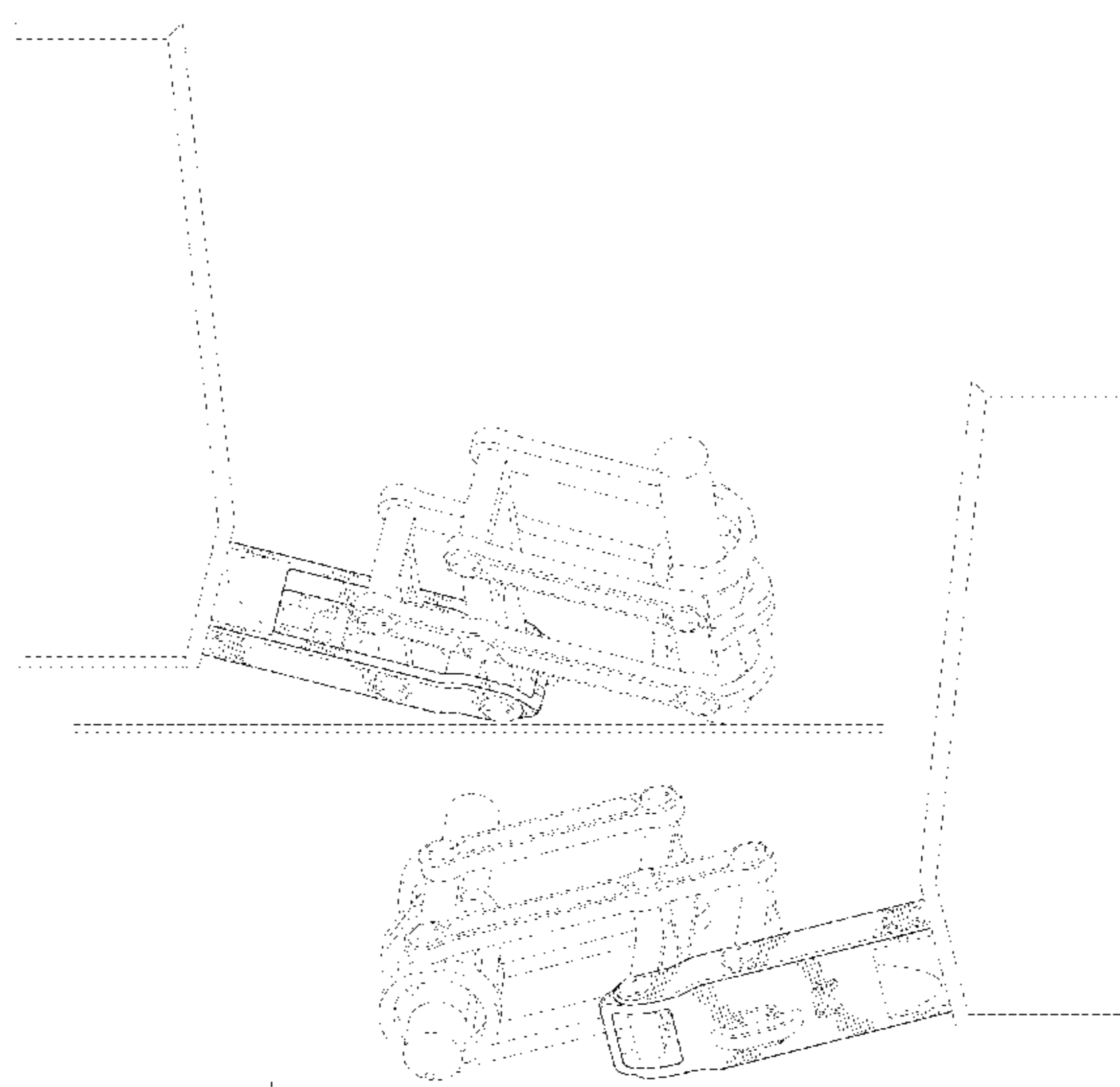
FIG. 1 is a right-side view of a pantograph base arm showing the new design;
 FIG. 2 is a left-side view thereof;
 FIG. 3 is an enlarged front view thereof;
 FIG. 4 is an enlarged top view thereof;
 FIG. 5 is an enlarged rear view thereof.
 FIG. 6 is a right-side view showing the pantograph base arm in a contracted position;
 FIG. 7 is a left-side view thereof;
 FIG. 8 is an enlarged front view thereof;
 FIG. 9 is an enlarged top view thereof.
 FIG. 10 is a right-side view showing the pantograph base arm in an extended position;
 FIG. 11 is a left-side view thereof;
 FIG. 12 is an enlarged front view thereof.
 FIG. 13 is a right-side, partial perspective view of the pantograph base arm in a tilted position;
 FIG. 14 is a left-side, partial perspective view thereof; and,
 FIG. 15 is an enlarged front, partial perspective view thereof.
 The broken lines in FIGS. 1-15 are included to show portions of the pantograph base arm or environmental structure that form no part of the claimed design.

(56) **References Cited**

U.S. PATENT DOCUMENTS

D151,212	S	*	10/1948	Brohawn	D18/57
3,013,603	A	*	12/1961	Rosenberg et al.	160/342
3,160,956	A	*	12/1964	Mercorelli	33/25.2
3,750,846	A	*	8/1973	Huxley, III	182/141
3,759,475	A	*	9/1973	Brown	248/277.1
D287,368	S	*	12/1986	Shibayama et al.	D15/199
4,872,628	A	*	10/1989	O'Connor	248/179.1
5,332,181	A		7/1994	Schweizer et al.		
5,397,323	A	*	3/1995	Taylor et al.	606/130
5,657,584	A	*	8/1997	Hamlin	52/81.3
5,667,186	A		9/1997	Luber et al.		
5,979,927	A		11/1999	Hale		
6,105,909	A		8/2000	Wirth et al.		
D435,842	S		1/2001	Oddsen, Jr.		
6,554,238	B1	*	4/2003	Hibberd	248/278.1
D489,599	S		5/2004	Lam		

1 Claim, 15 Drawing Sheets



(56)

References Cited

U.S. PATENT DOCUMENTS

D556,205 S	11/2007	Wohlford et al.				
D558,560 S *	1/2008	Ciungan	D8/363	7,717,384 B2 *	5/2010	Kim 248/284.1
D558,561 S *	1/2008	Ciungan	D8/363	7,789,363 B2 *	9/2010	Duan 248/284.1
D558,562 S *	1/2008	Ciungan et al.	D8/363	D634,607 S *	3/2011	Molter et al. D8/363
D559,087 S *	1/2008	Ciungan	D8/363	D636,765 S *	4/2011	Molter et al. D14/239
7,384,019 B2 *	6/2008	Choi	248/136	D640,672 S *	6/2011	Molter et al. D14/239
D577,730 S *	9/2008	Rutten	D14/452	8,011,632 B2 *	9/2011	Wang et al. 248/284.1
D578,145 S	10/2008	Bernhardt		8,061,663 B2 *	11/2011	Wang et al. 248/162.1
7,431,254 B2 *	10/2008	Cheng	248/292.12	D655,297 S	3/2012	Magnusson
7,604,206 B2 *	10/2009	Jung et al.	248/133	D656,493 S	3/2012	Dolack
				8,196,875 B2 *	6/2012	Lien et al. 248/121
				8,201,792 B2 *	6/2012	Yuan et al. 248/299.1
				D679,016 S	3/2013	Jarva
				2007/0194183 A1 *	8/2007	Kim 248/125.9

* cited by examiner

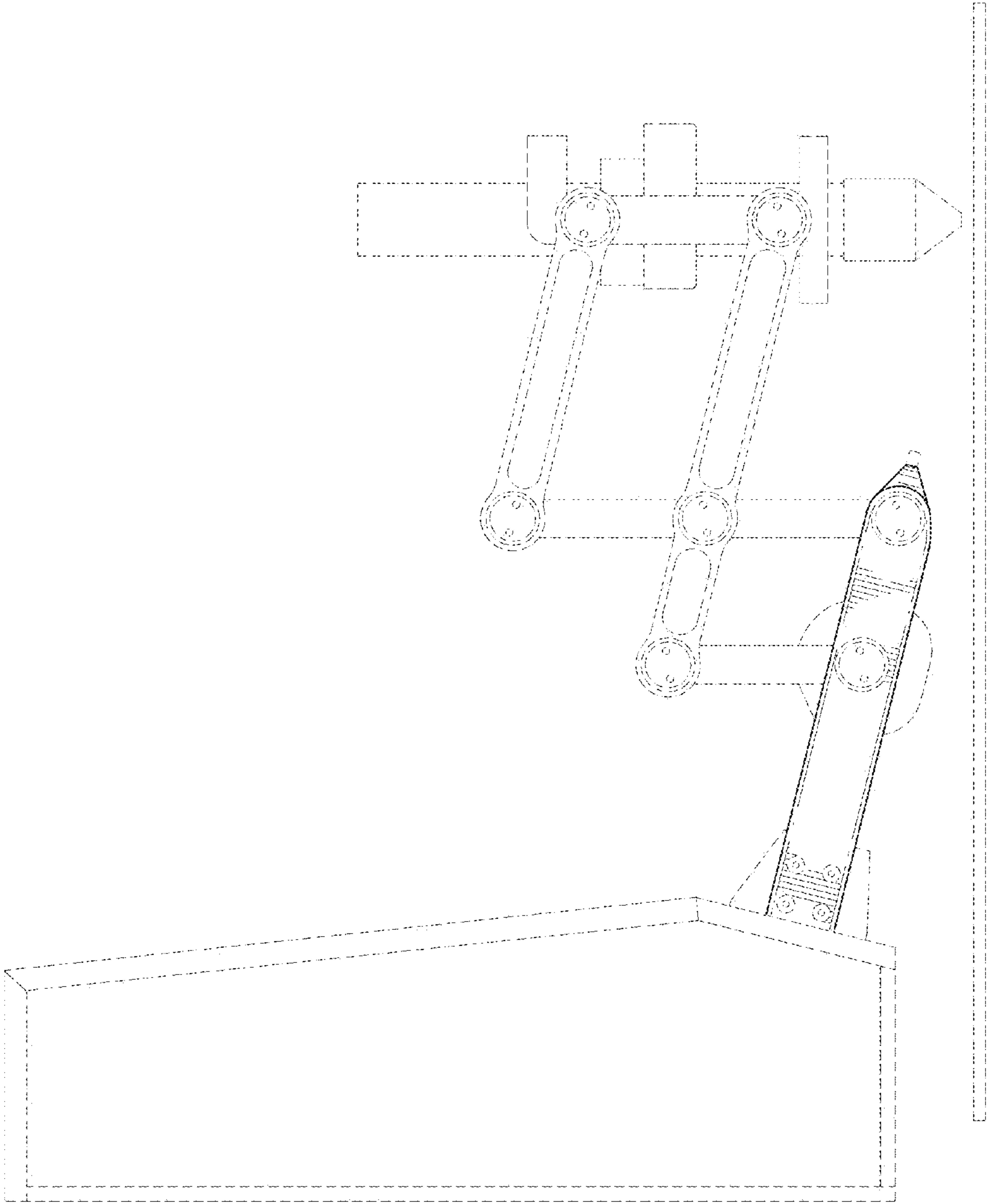


FIG. 1

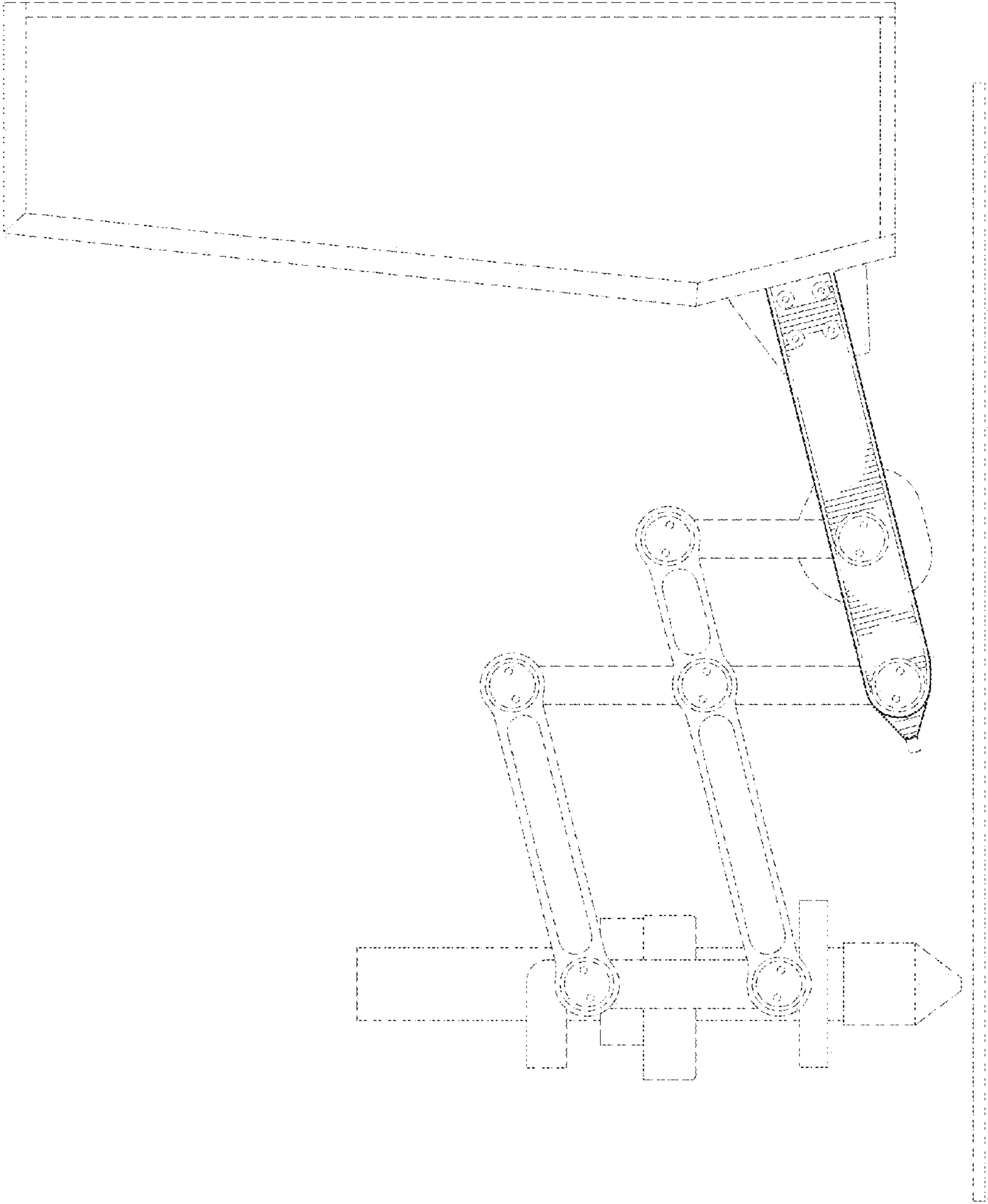


FIG. 2

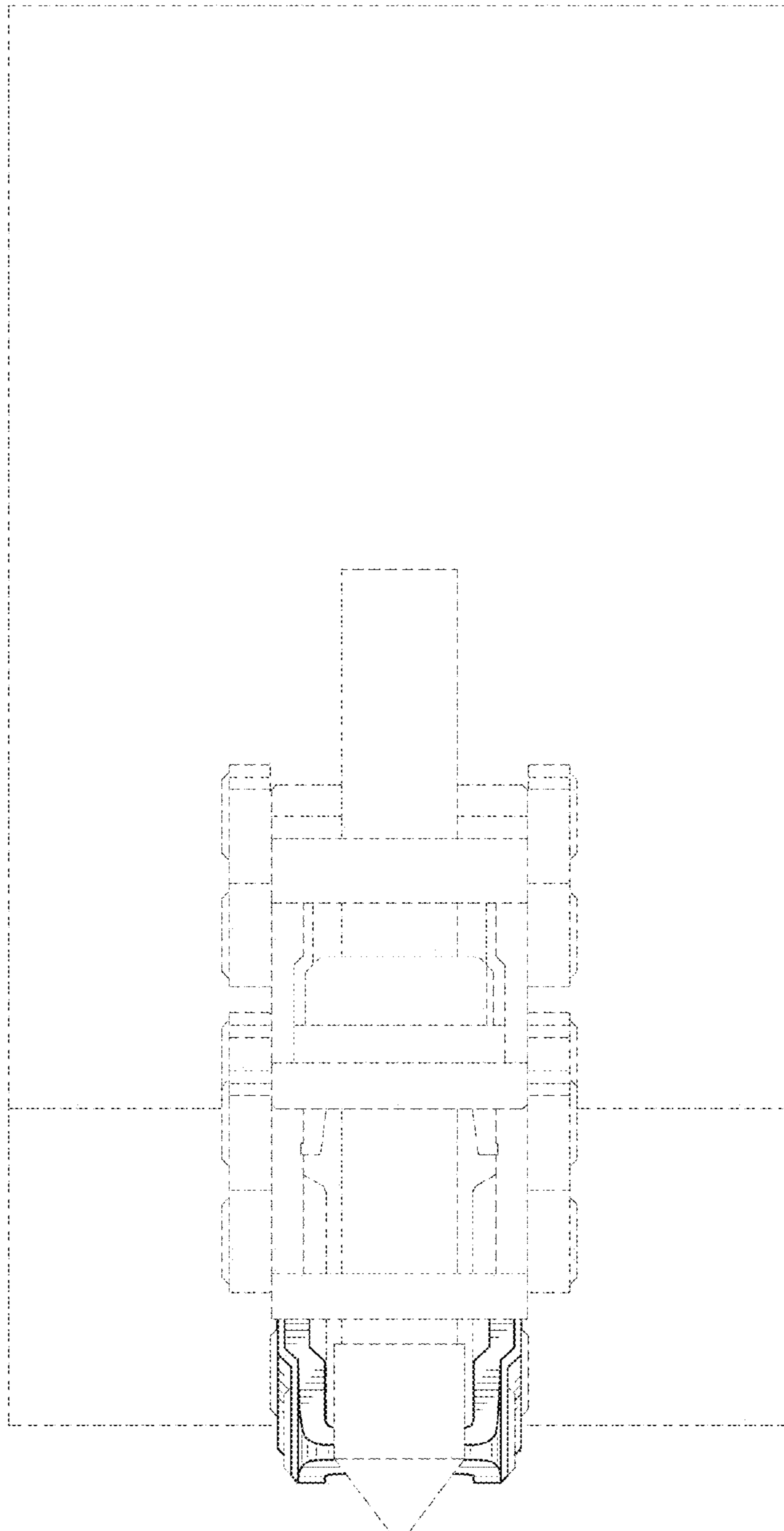


FIG. 3

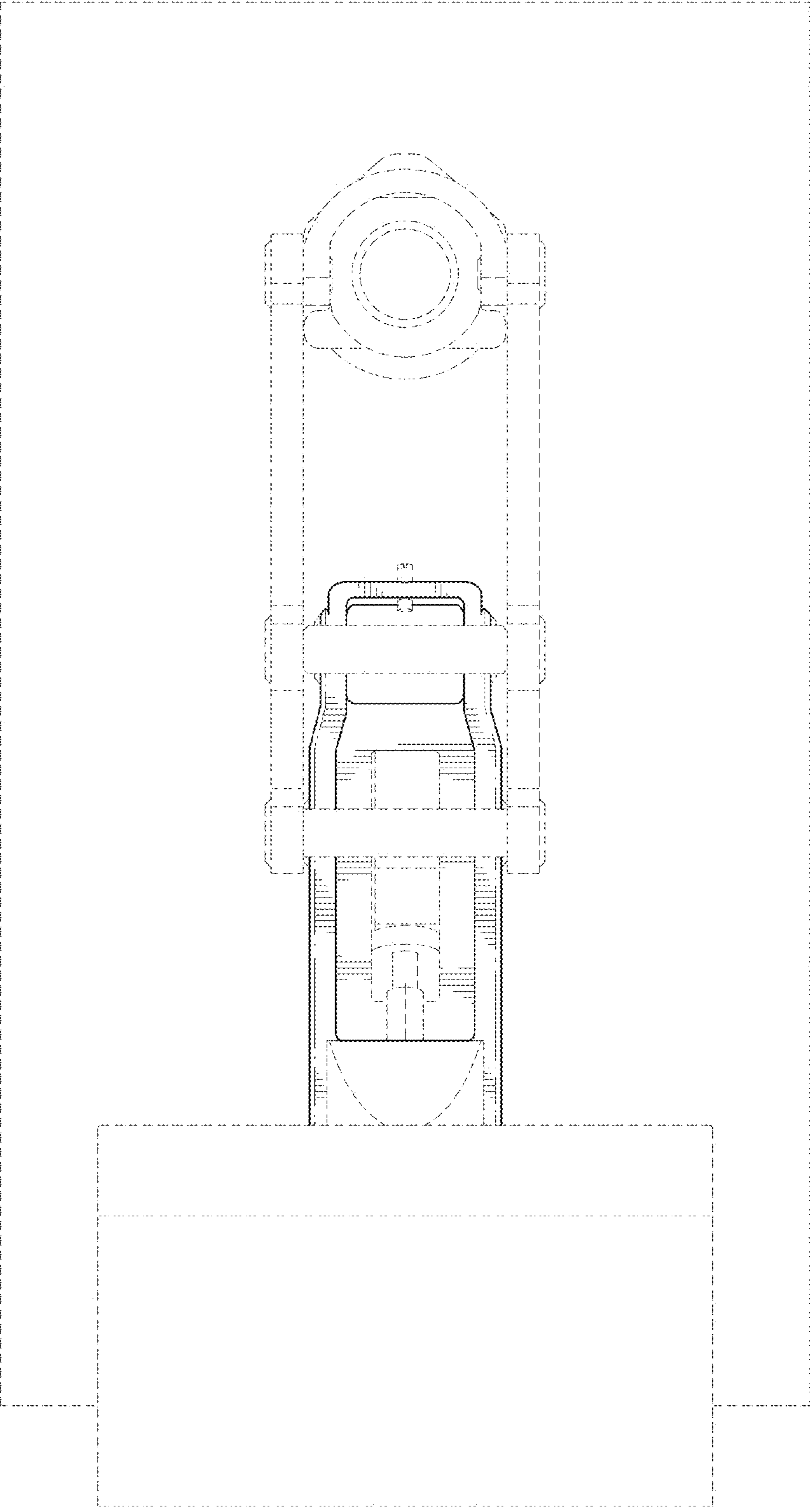


FIG.4

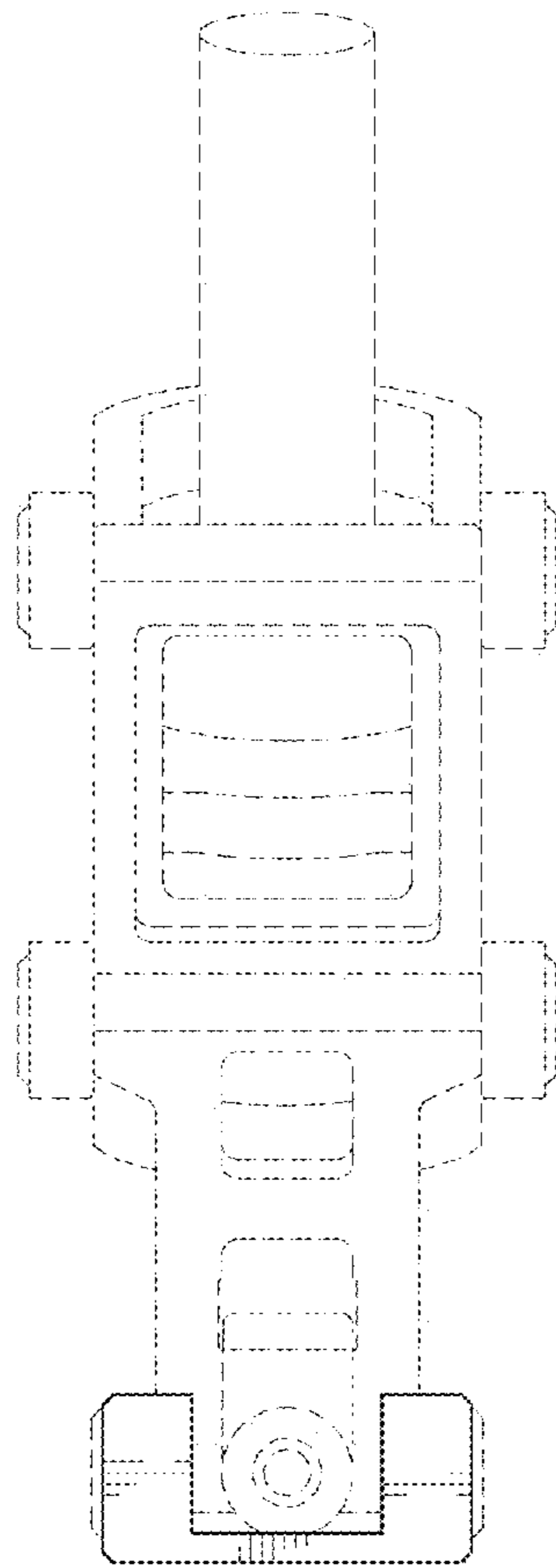


FIG. 5

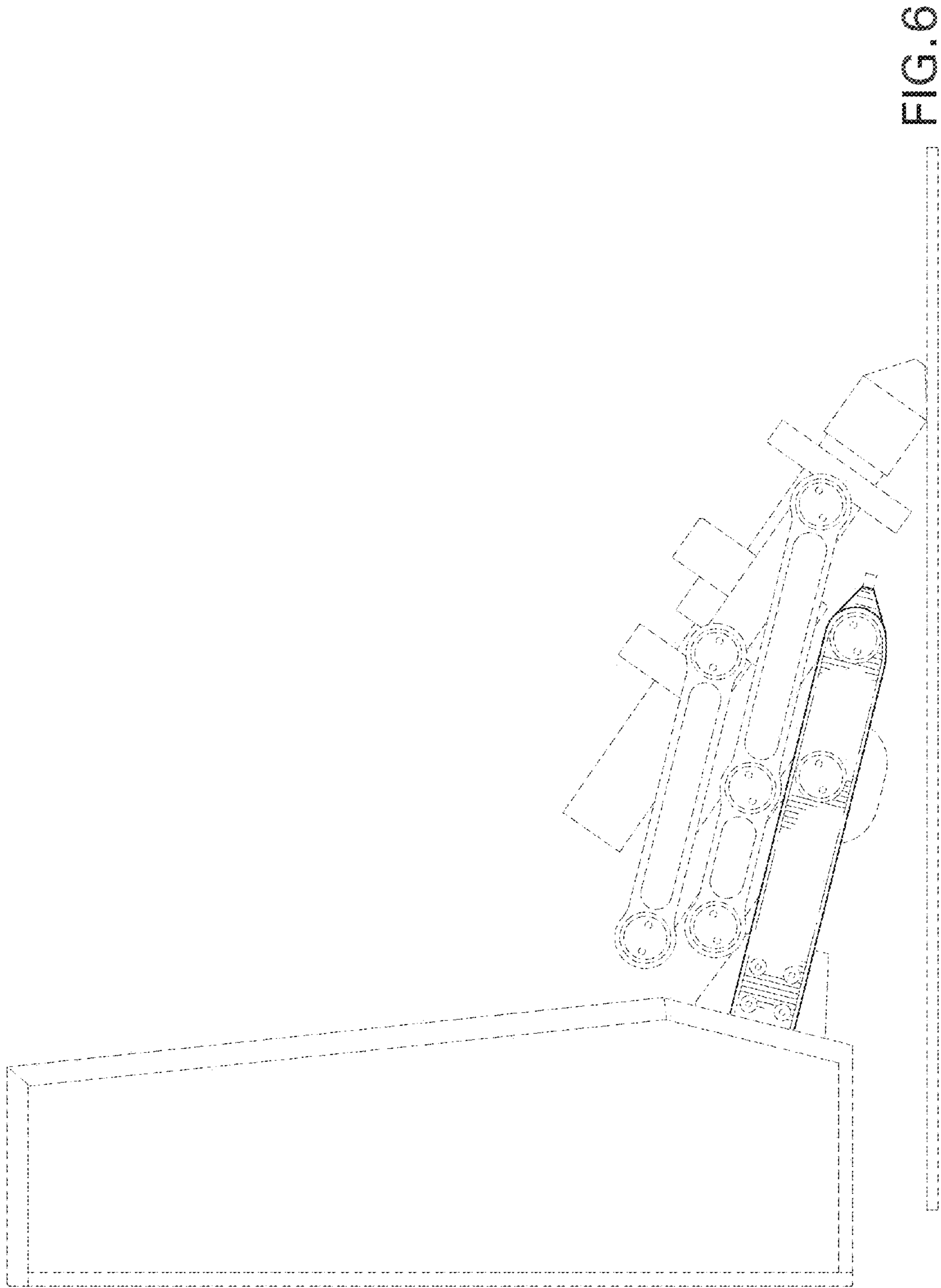


FIG. 6

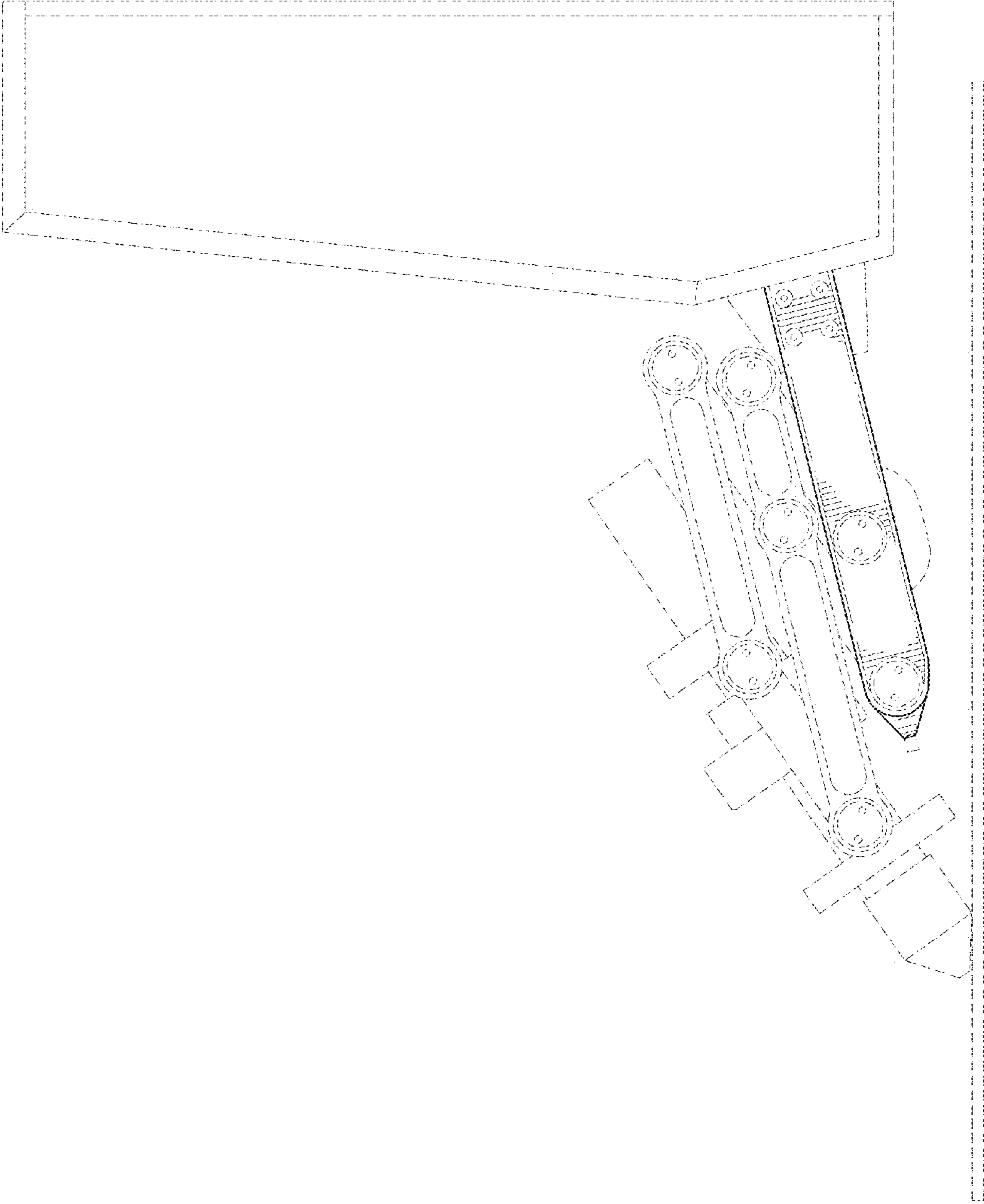


FIG. 7

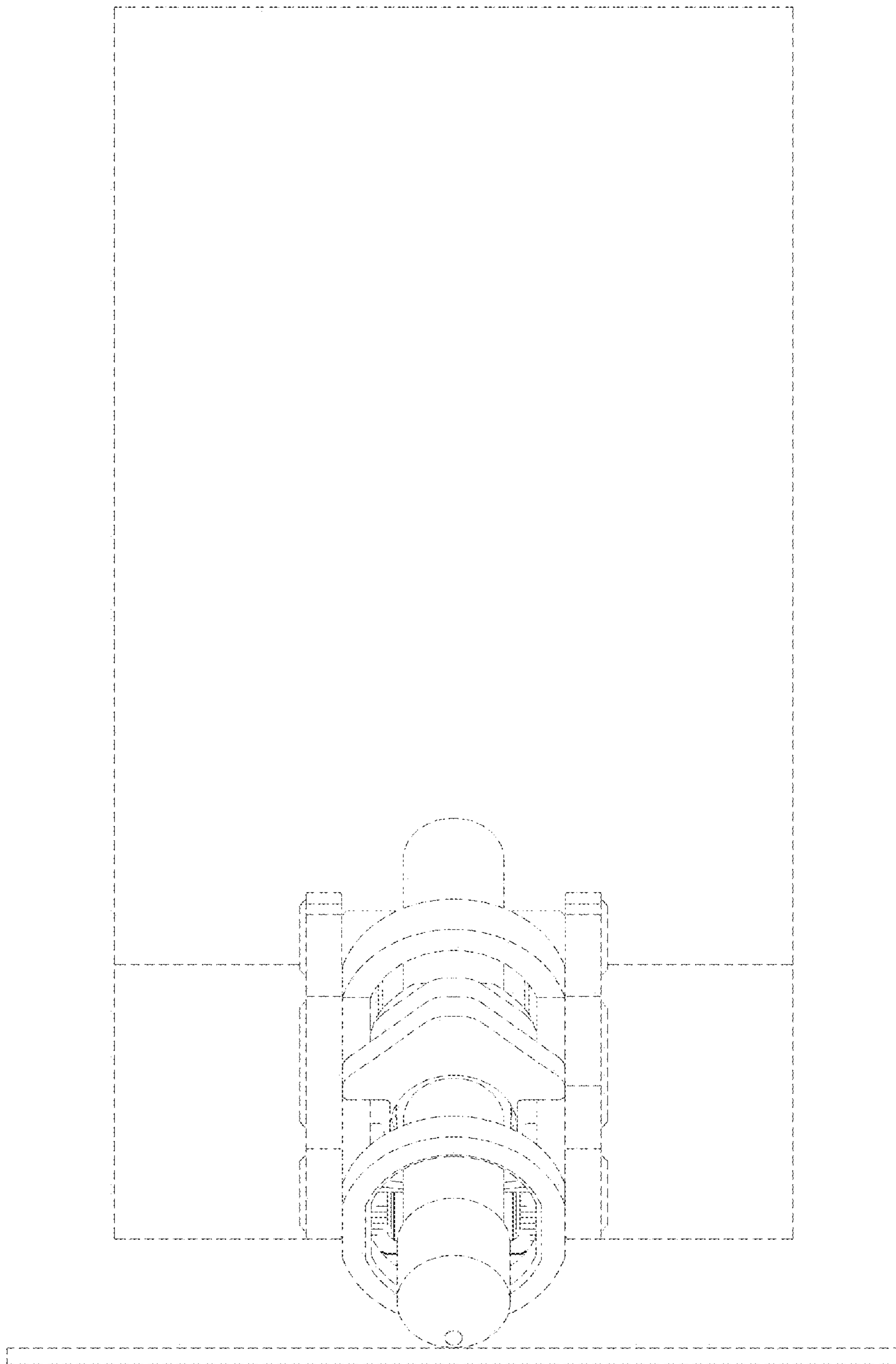


FIG. 8

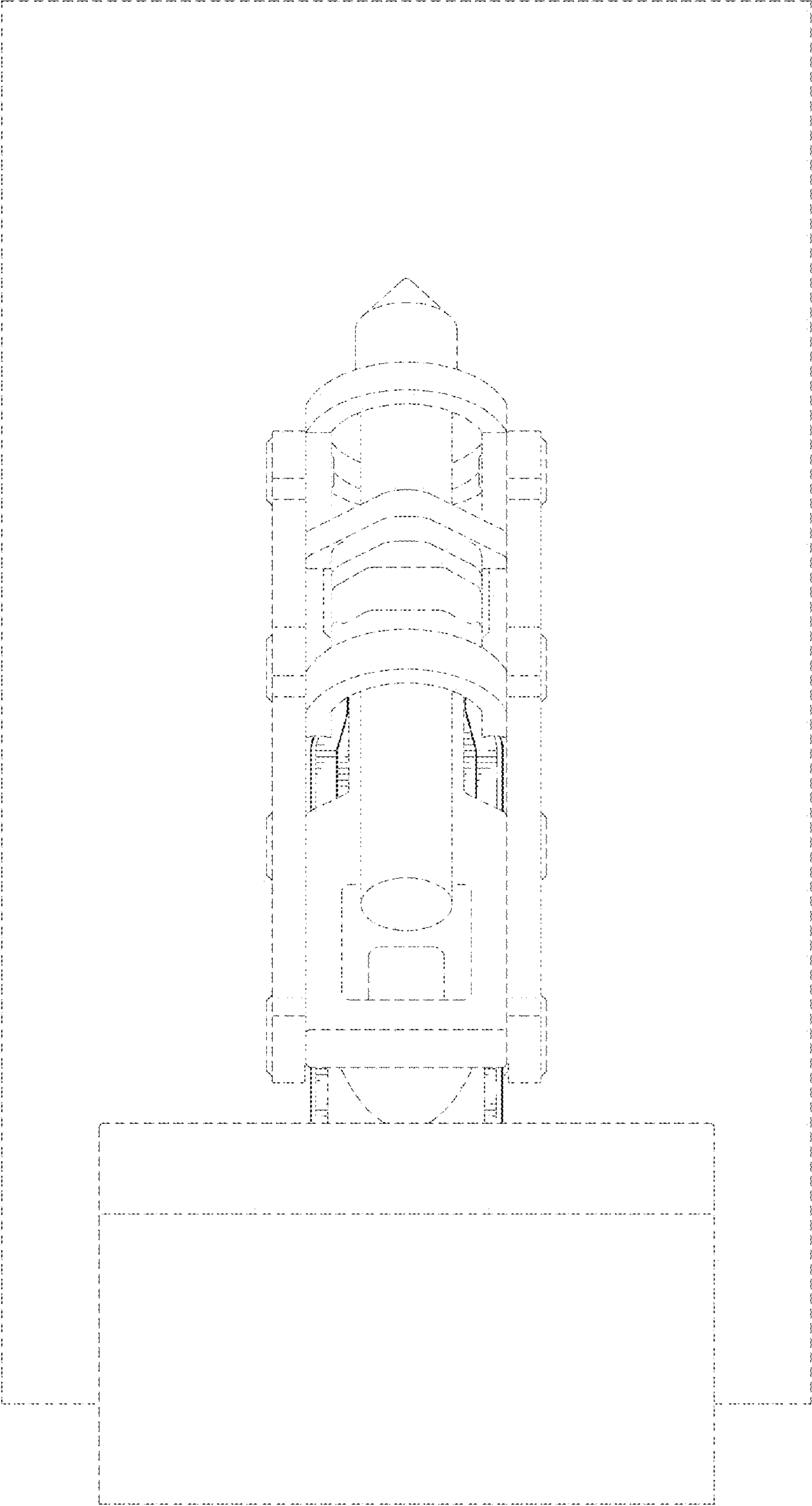


FIG. 9

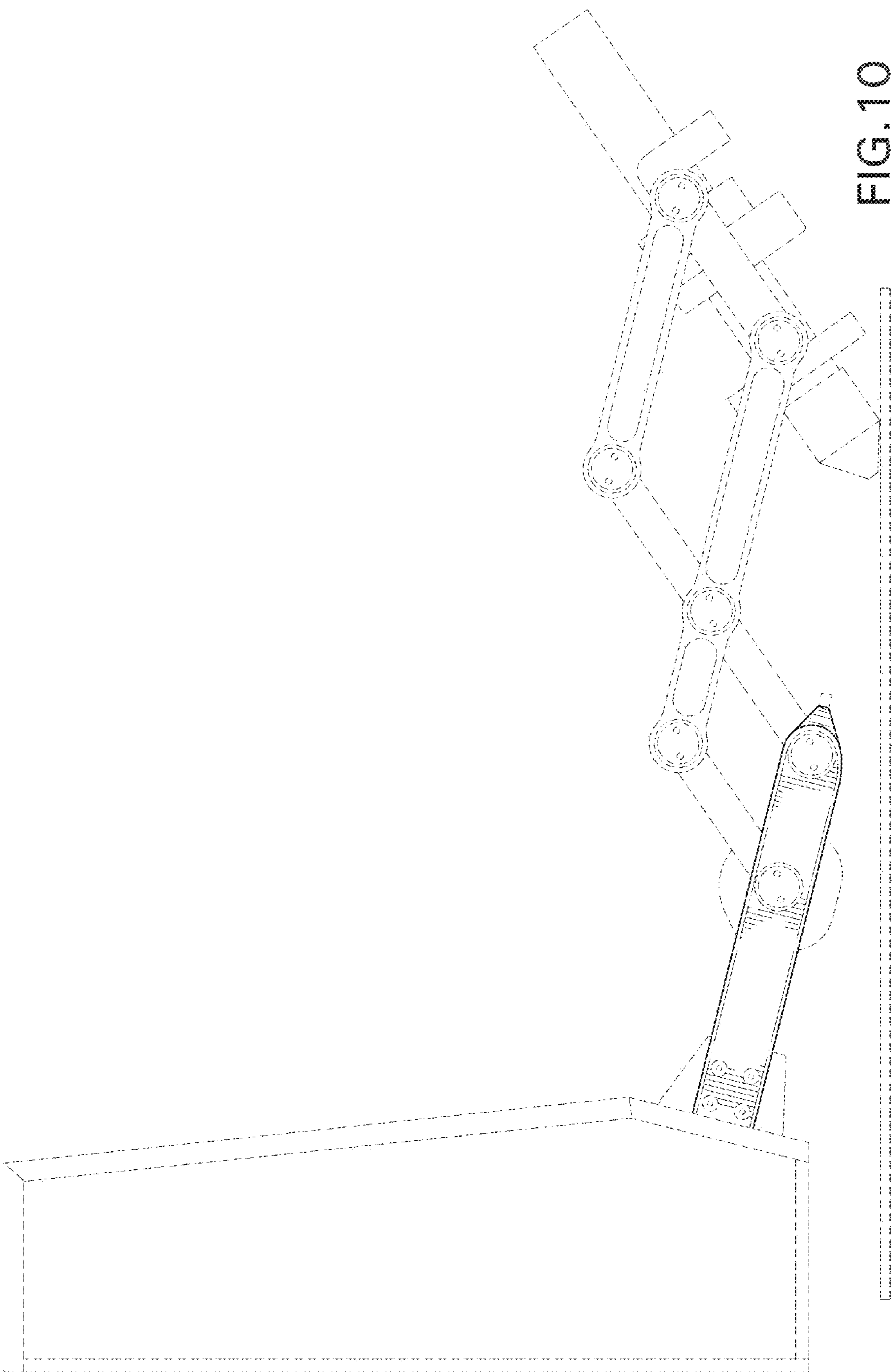
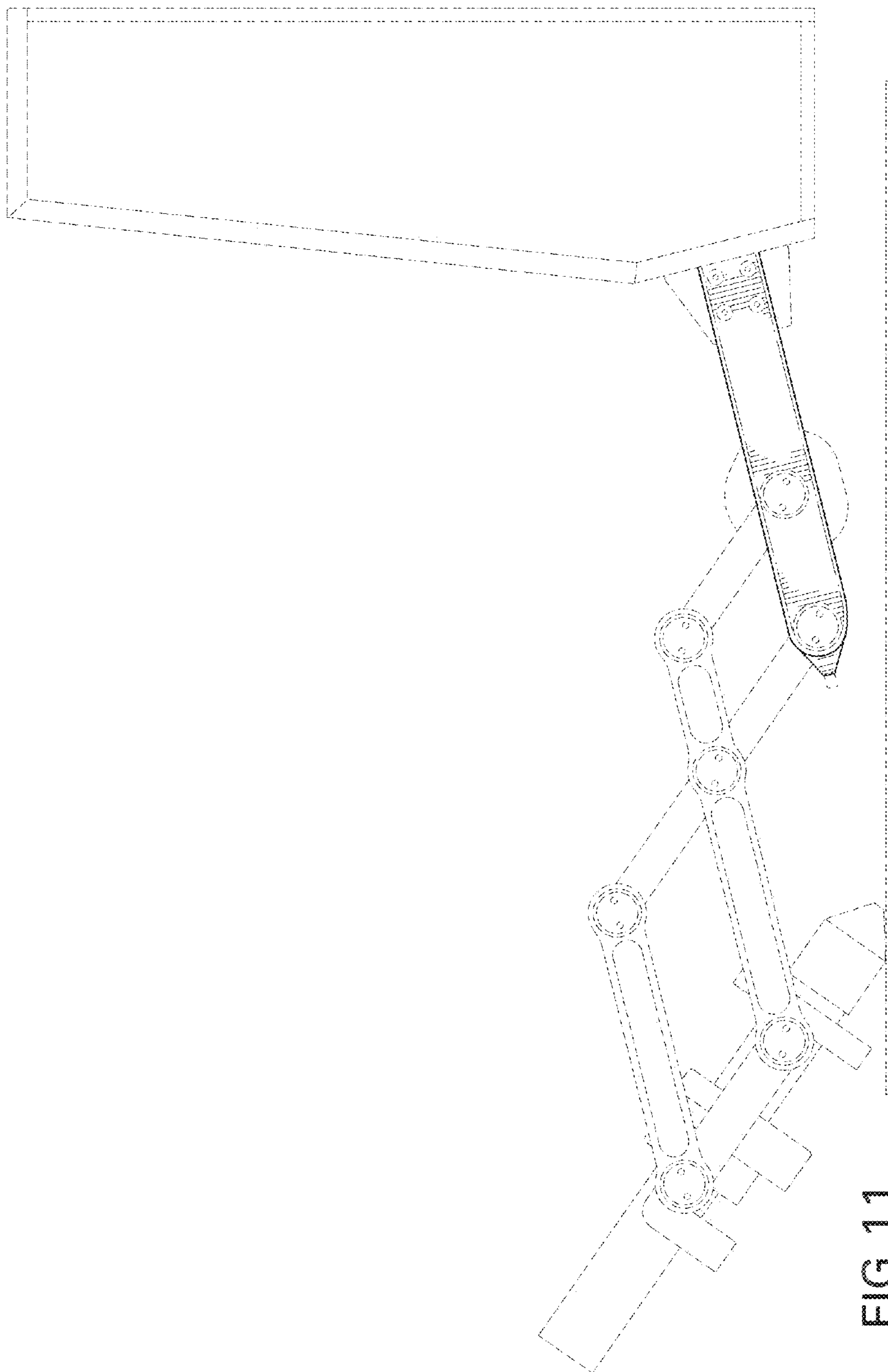


FIG. 10



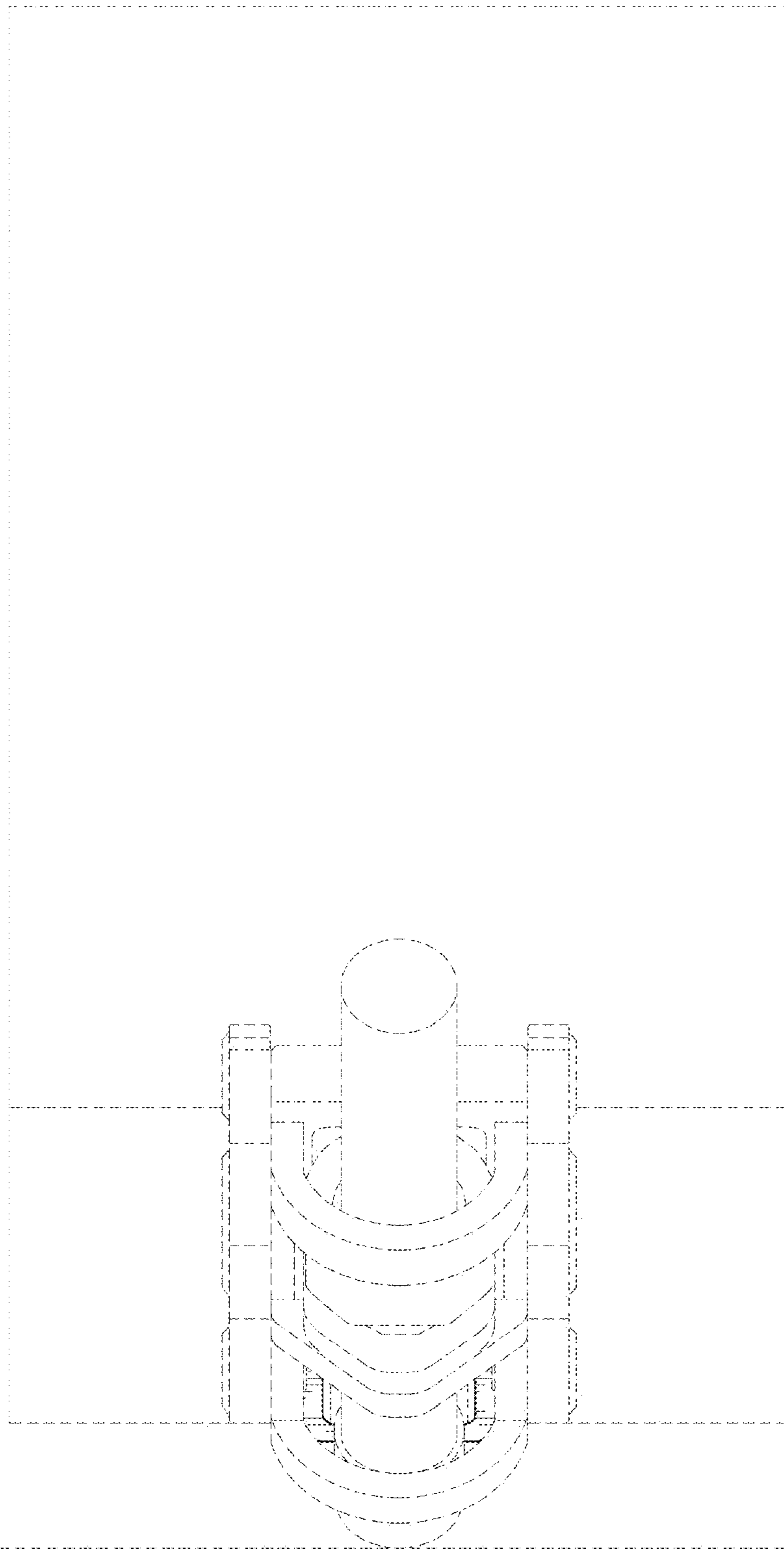


FIG. 12

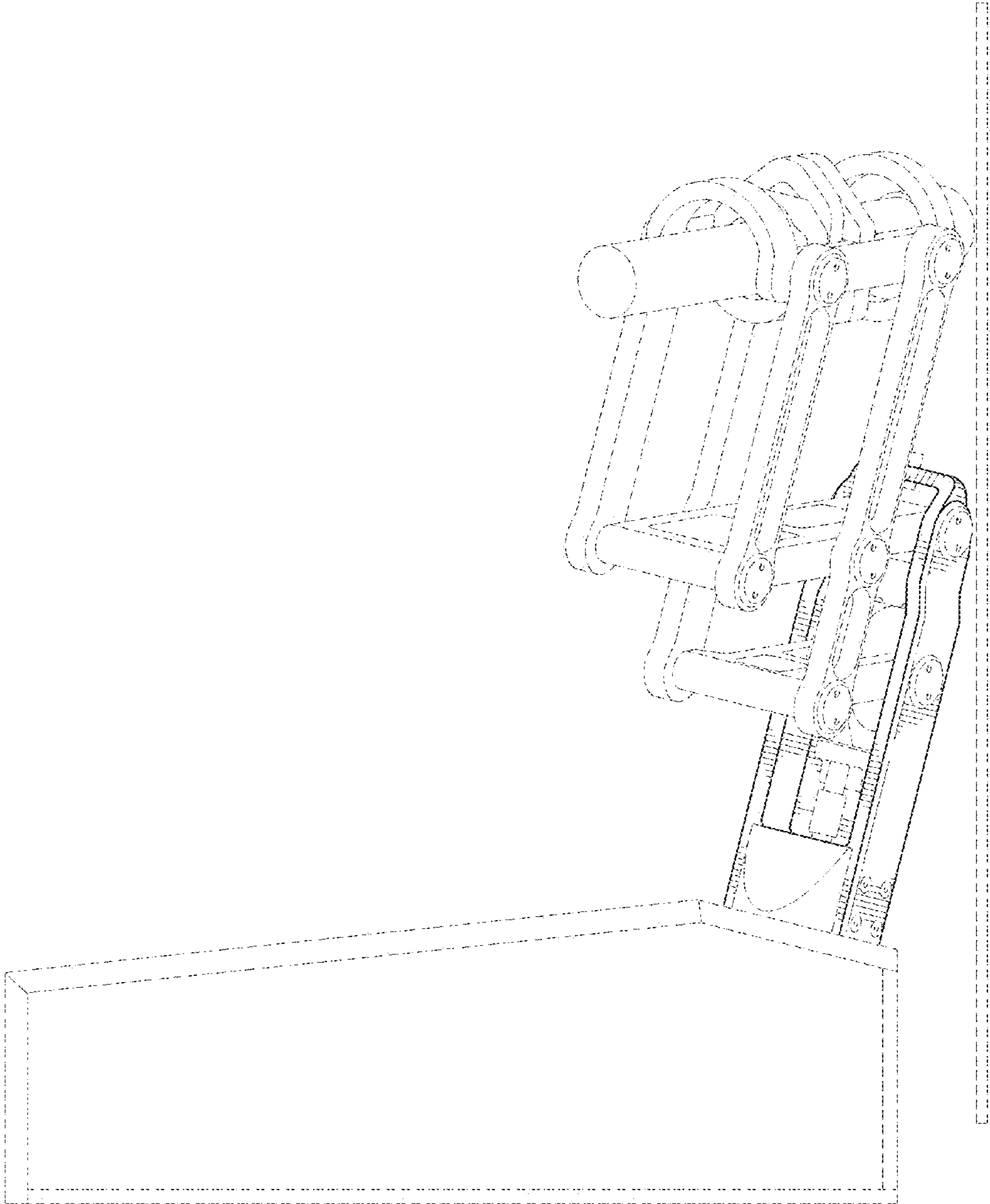


FIG. 13

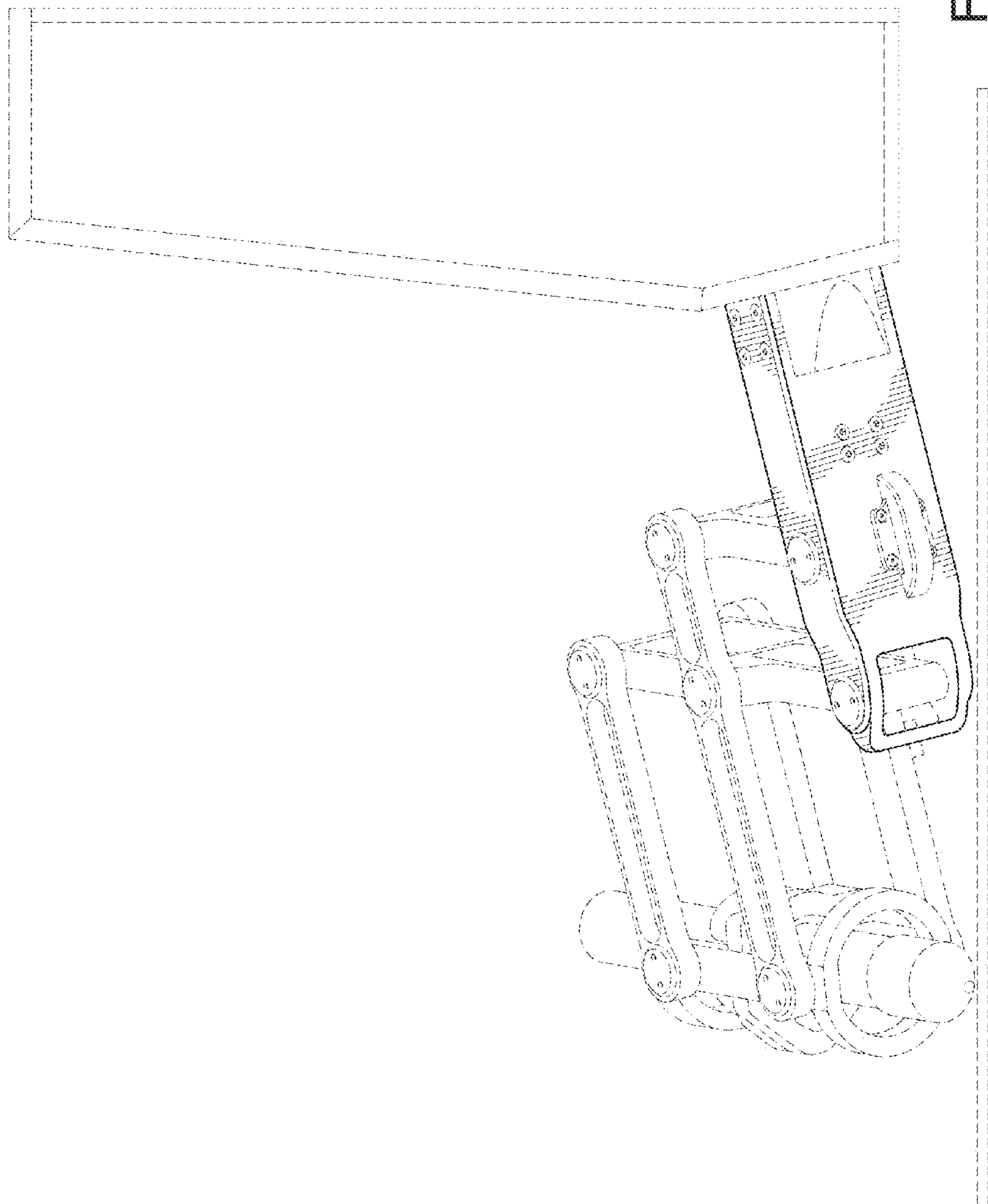


FIG. 14

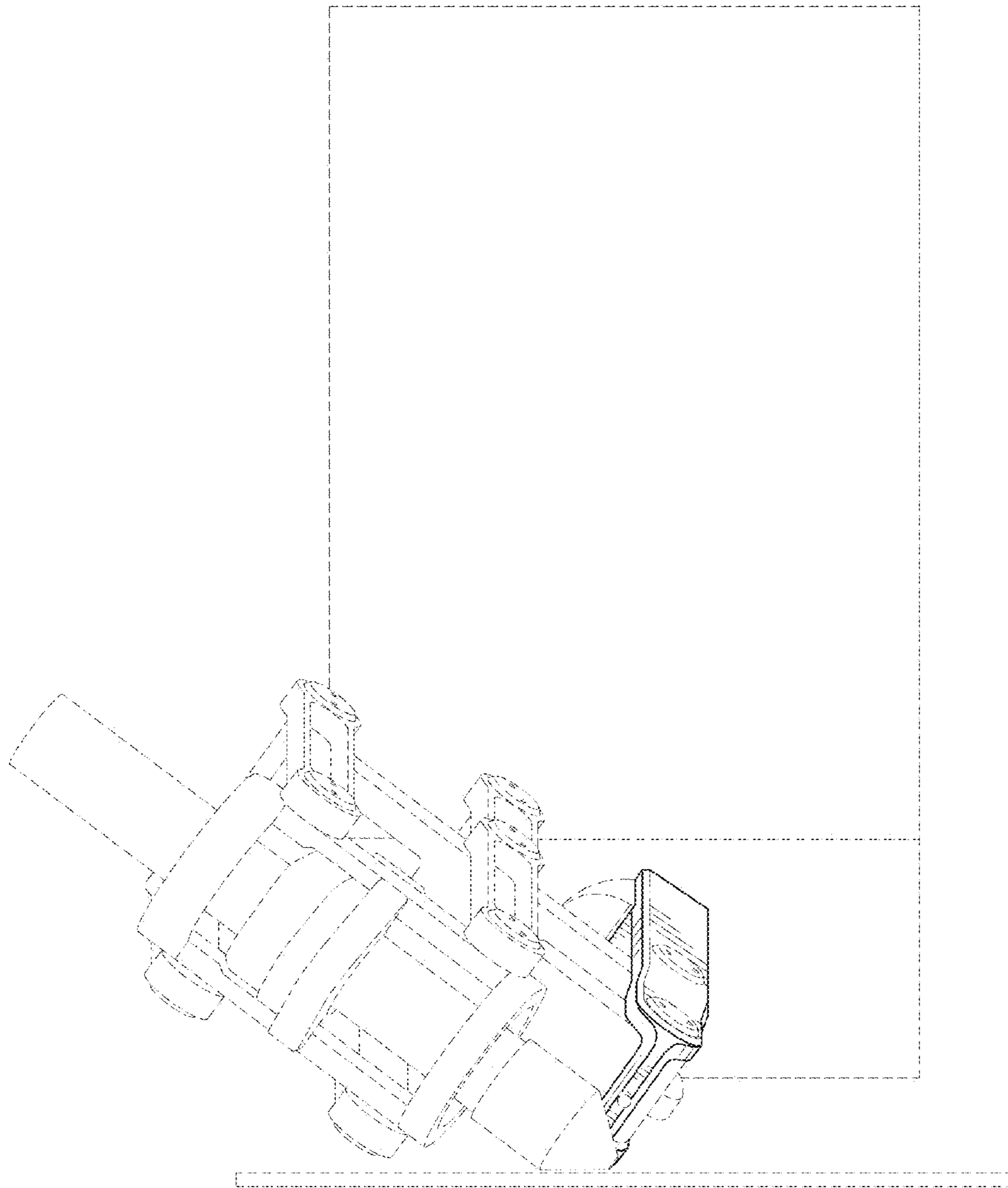


FIG. 15