



US00D706344S

(12) **United States Design Patent**
Peterson

(10) **Patent No.:** **US D706,344 S**
(45) **Date of Patent:** **** Jun. 3, 2014**

(54) **DESK CADDY**
(71) Applicant: **Kevin Peterson**, Houston, TX (US)
(72) Inventor: **Kevin Peterson**, Houston, TX (US)
(**) Term: **14 Years**
(21) Appl. No.: **29/446,700**
(22) Filed: **Feb. 26, 2013**
(51) **LOC (10) CI.** **19-02**
(52) **U.S. CI.**
USPC **D19/75**
(58) **Field of Classification Search**
CPC G09F 1/06; G09F 23/00; B42D 5/043;
B42D 5/045; B42F 13/406; A45C 11/36;
A45C 3/02
USPC D3/299, 900, 901; D19/26-31, 75-80,
D19/90, 92; D20/40, 43; 206/214; 211/10,
211/11, 50, 55; 40/358
See application file for complete search history.

5,236,226 A * 8/1993 Sheffield 281/48
5,537,369 A * 7/1996 Wu 368/10
5,685,568 A 11/1997 Pirrello
5,732,976 A * 3/1998 Snyder 281/31
5,823,897 A 10/1998 Wang
D471,548 S 3/2003 Zheng
7,225,567 B1 6/2007 Cunningham et al.
7,694,932 B1 4/2010 Ngan
2009/0107858 A1 * 4/2009 Huang 206/214
2012/0202623 A1 8/2012 Bowden

* cited by examiner

Primary Examiner — Elizabeth Albert

(74) *Attorney, Agent, or Firm* — Andrew W. Chu; Craft Chu PLLC

(57) **CLAIM**
The ornamental design for a desk caddy, as shown and described.

DESCRIPTION

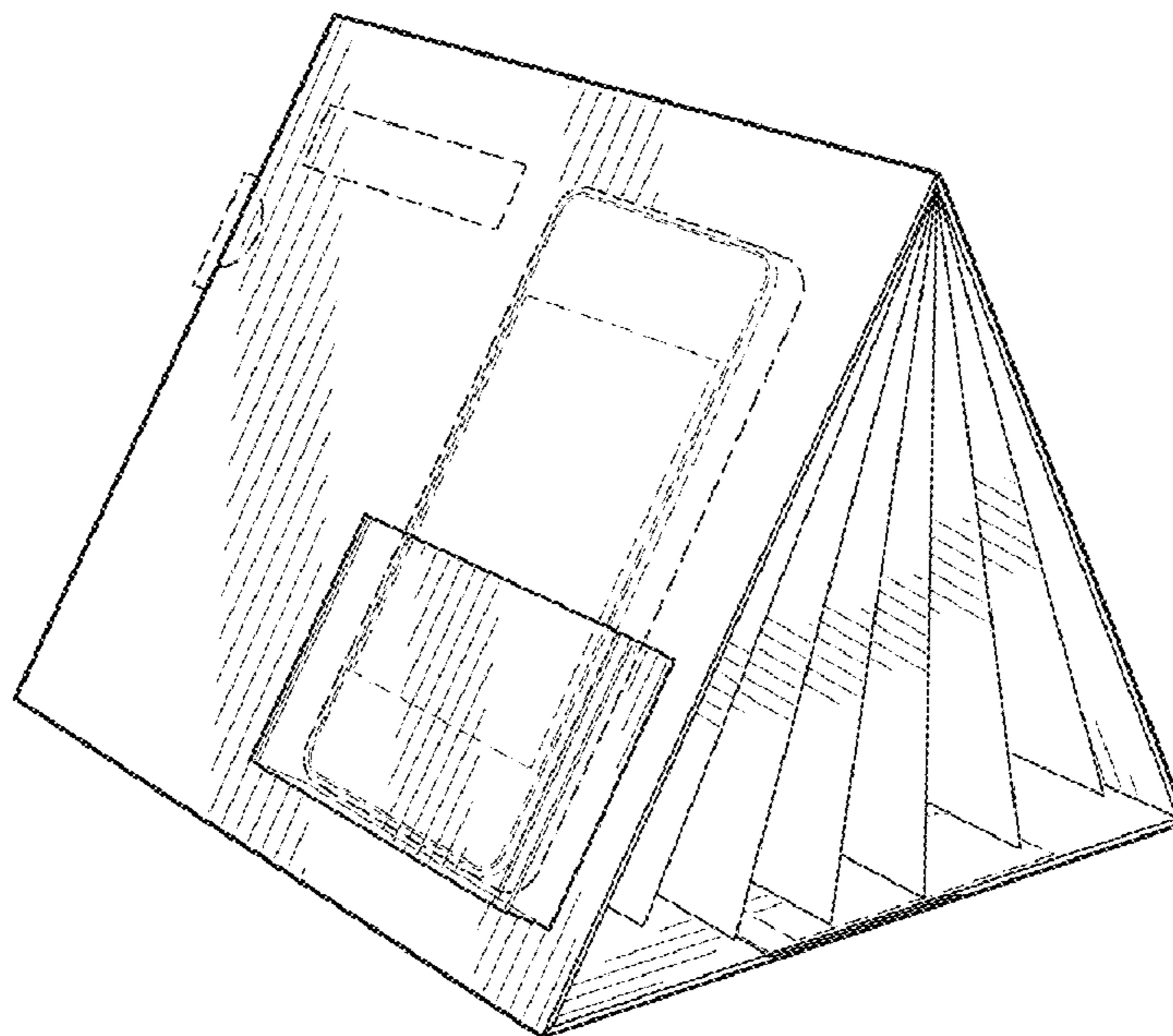
FIG. 1 is an upper perspective view of the desk caddy showing my design in the assembled configuration.
FIG. 2 is a side elevation view thereof;
FIG. 3 is an opposite side view thereof;
FIG. 4 is a front elevation view thereof;
FIG. 5 is a back elevation view thereof;
FIG. 6 is a top plan view thereof;
FIG. 7 is a bottom plan view thereof;
FIG. 8 is still another perspective view, showing the unfolded configuration; and,
FIG. 9 is yet another perspective view, showing the folded configuration.
The broken line features are shown for the purpose of including features on the desk caddy that form no part of the claimed design.

1 Claim, 3 Drawing Sheets

(56) **References Cited**

U.S. PATENT DOCUMENTS

1,659,395 A 2/1928 Douglas
2,354,782 A * 8/1944 Stradling et al. 281/16
3,079,715 A * 3/1963 Cross 40/768
3,198,339 A * 8/1965 Stolarz 211/50
3,203,552 A * 8/1965 Stolarz 211/50
3,620,552 A * 11/1971 Woodcock et al. 281/33
3,739,511 A * 6/1973 Freedman 40/124.06
4,081,921 A * 4/1978 Humphrey 40/120
4,288,935 A 9/1981 Cross
4,314,635 A * 2/1982 Fraser et al. 206/232
D273,537 S * 4/1984 Gerch D13/168
4,696,118 A * 9/1987 Cross 40/120
D314,587 S * 2/1991 Young D3/247



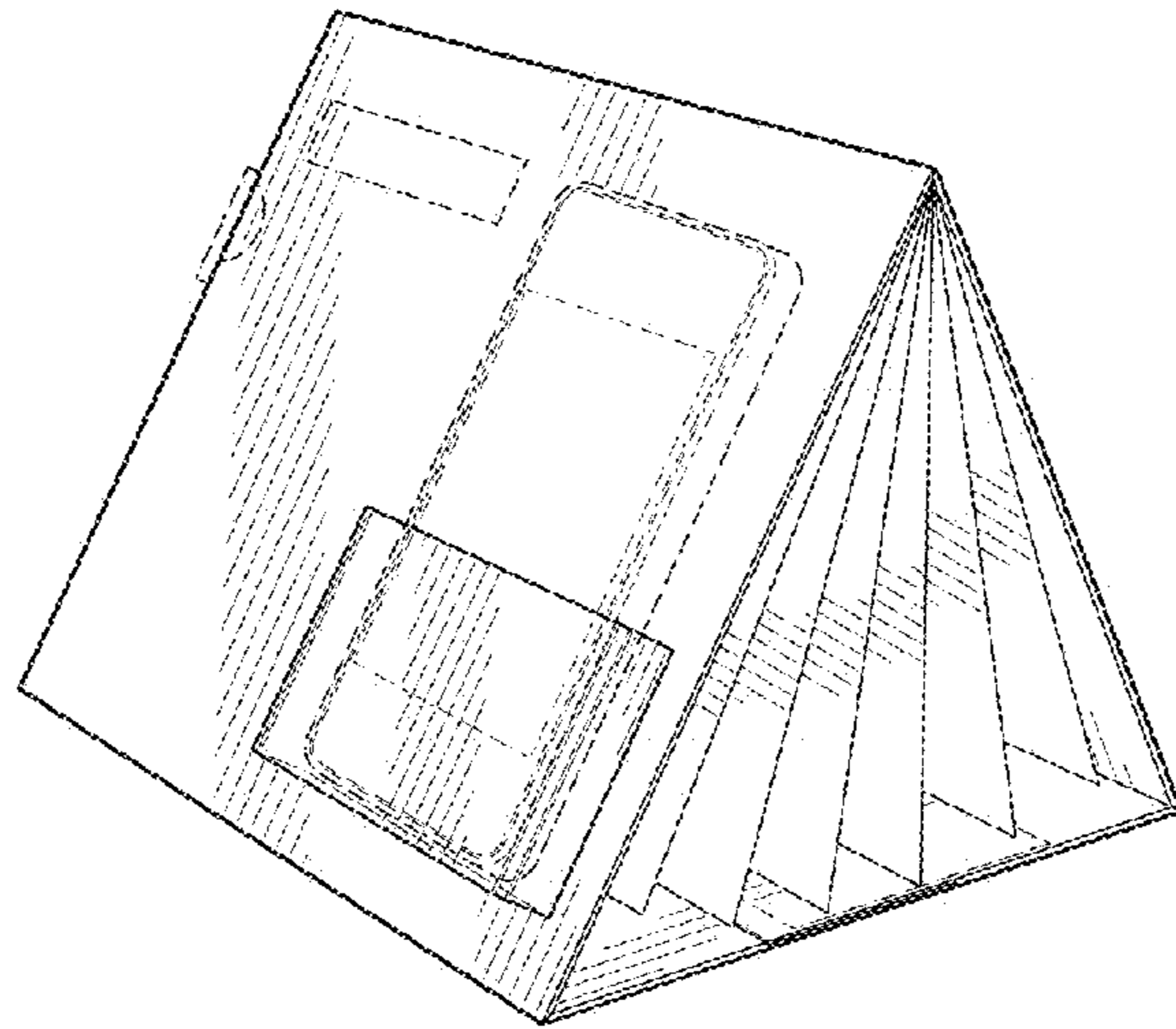


FIG. 1

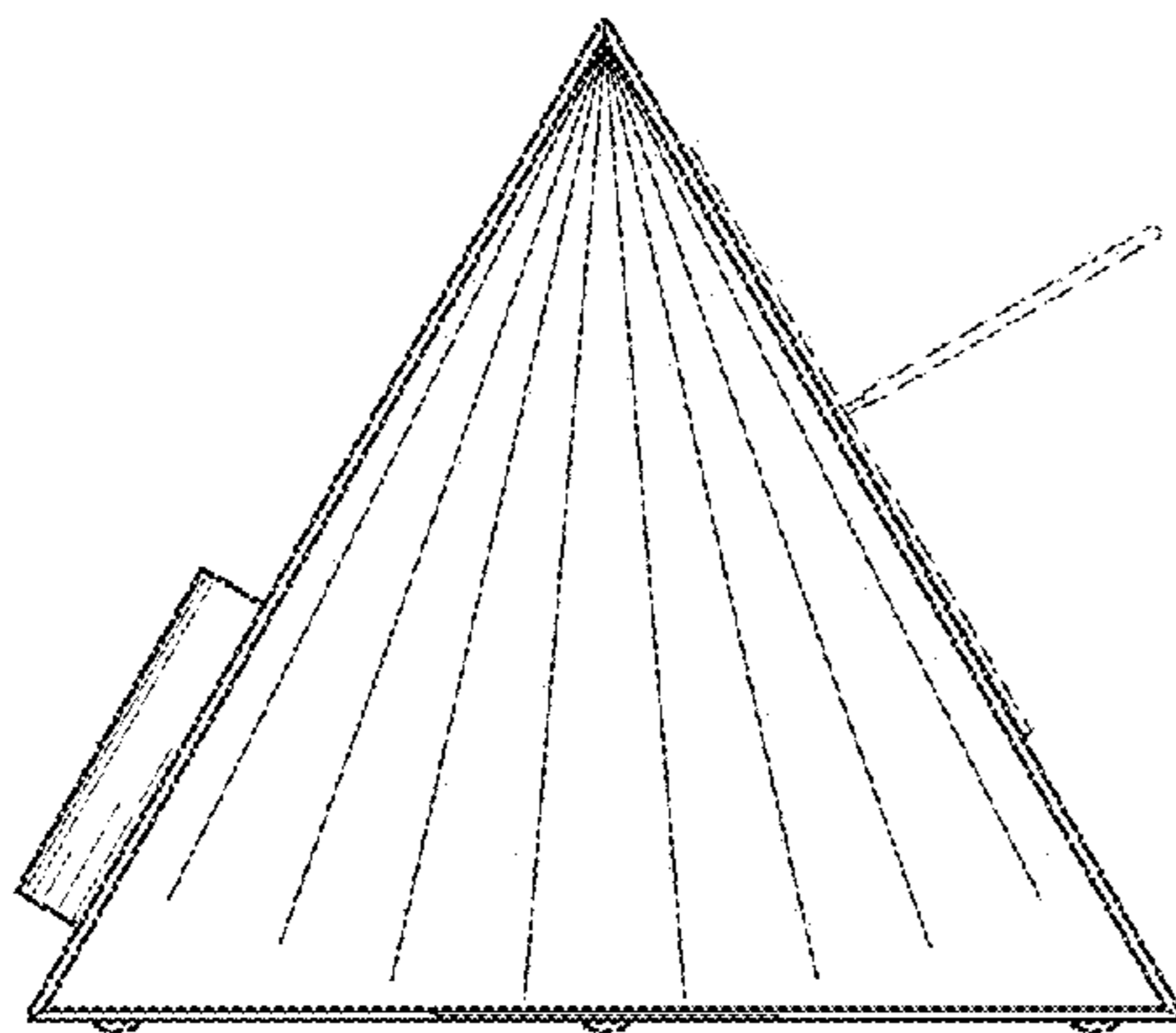


FIG. 2

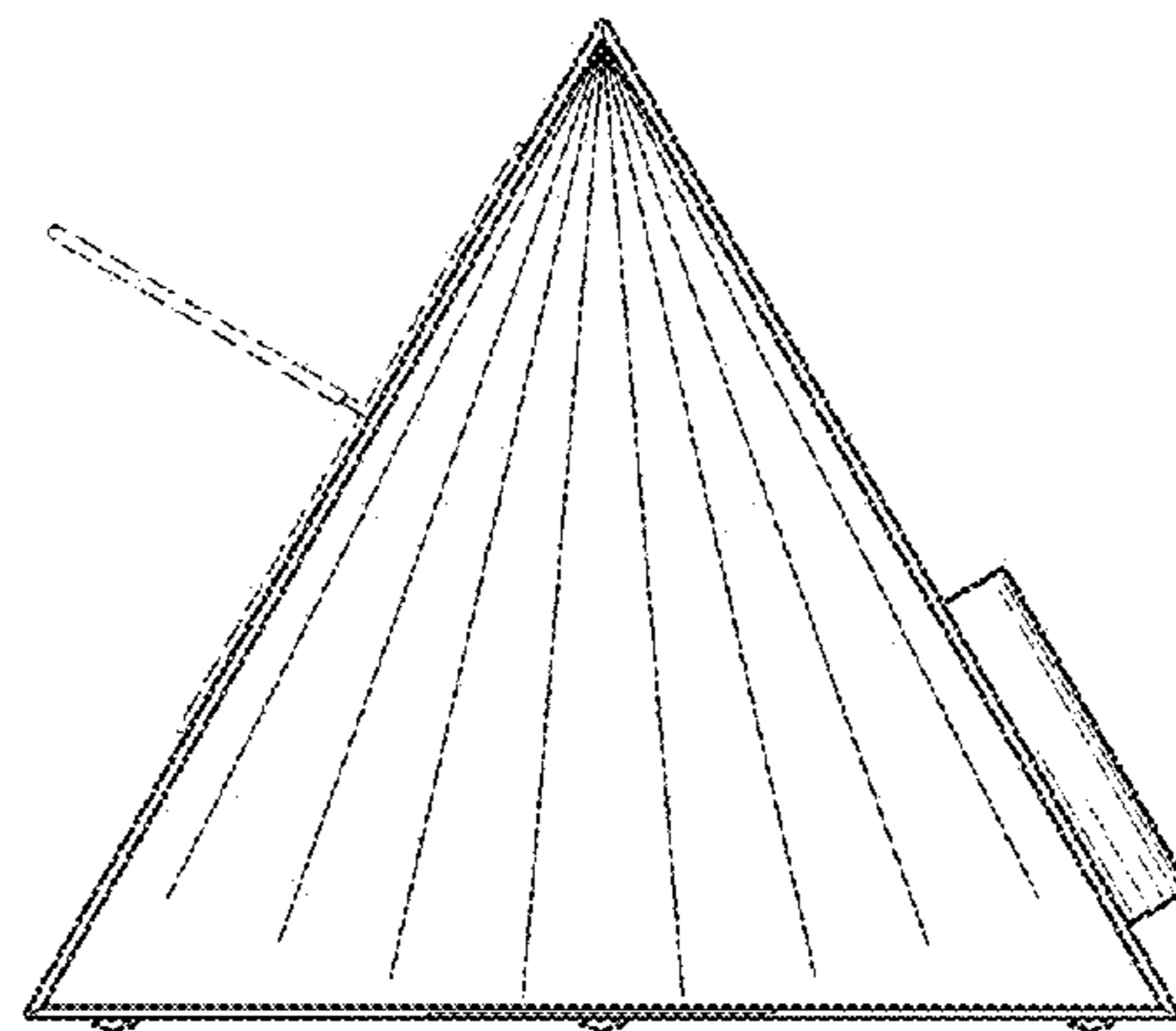


FIG. 3

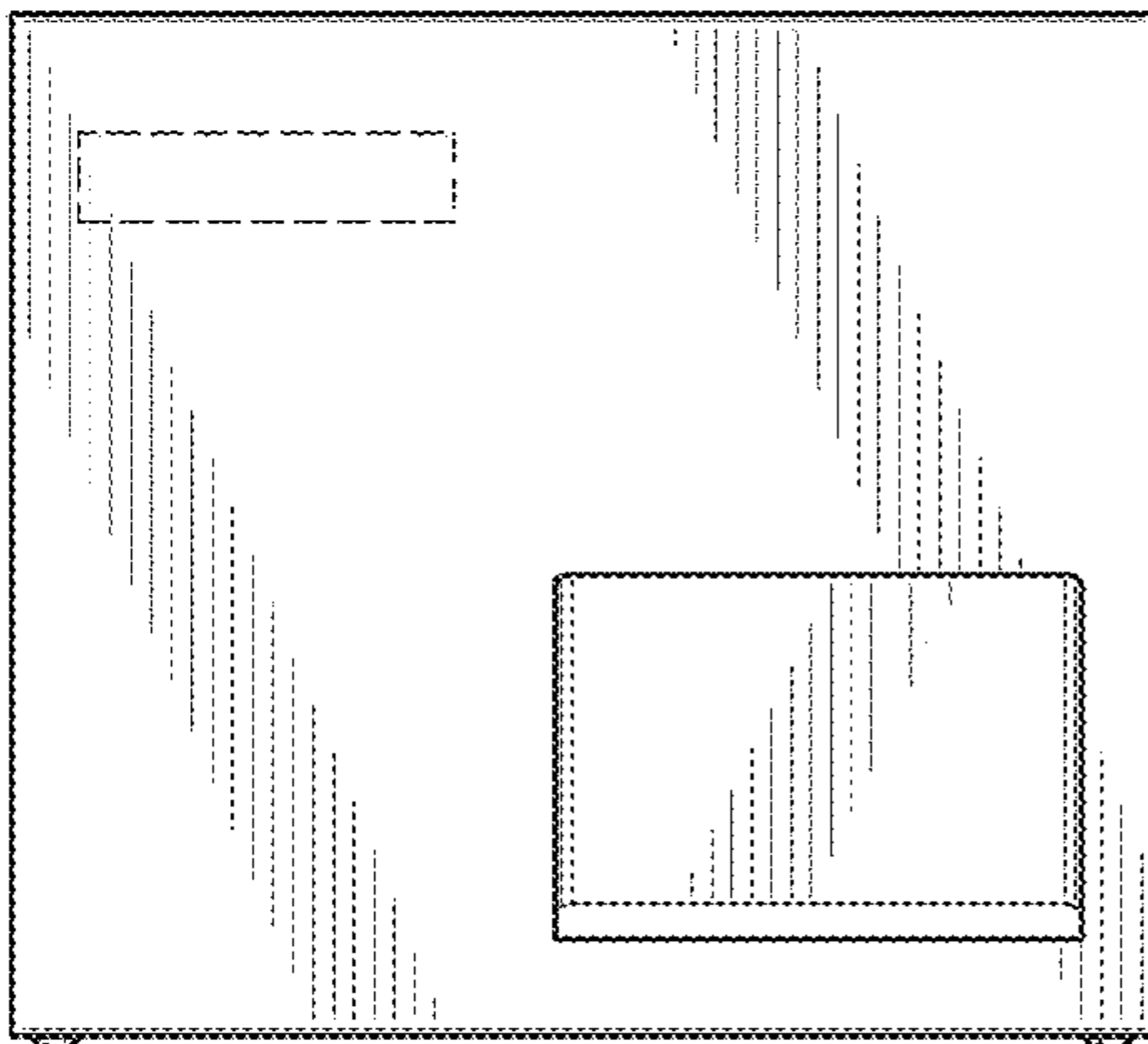


FIG. 4

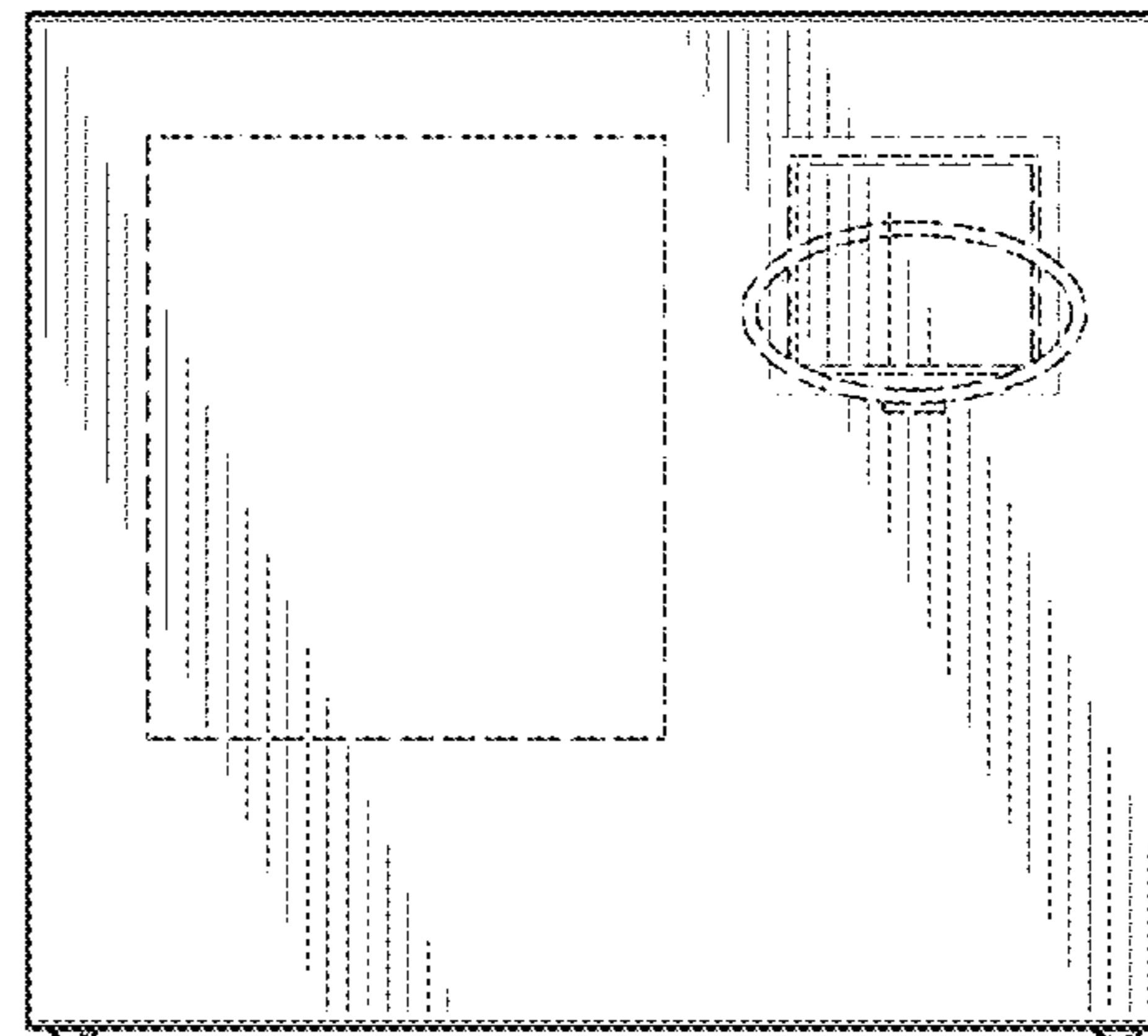


FIG. 5

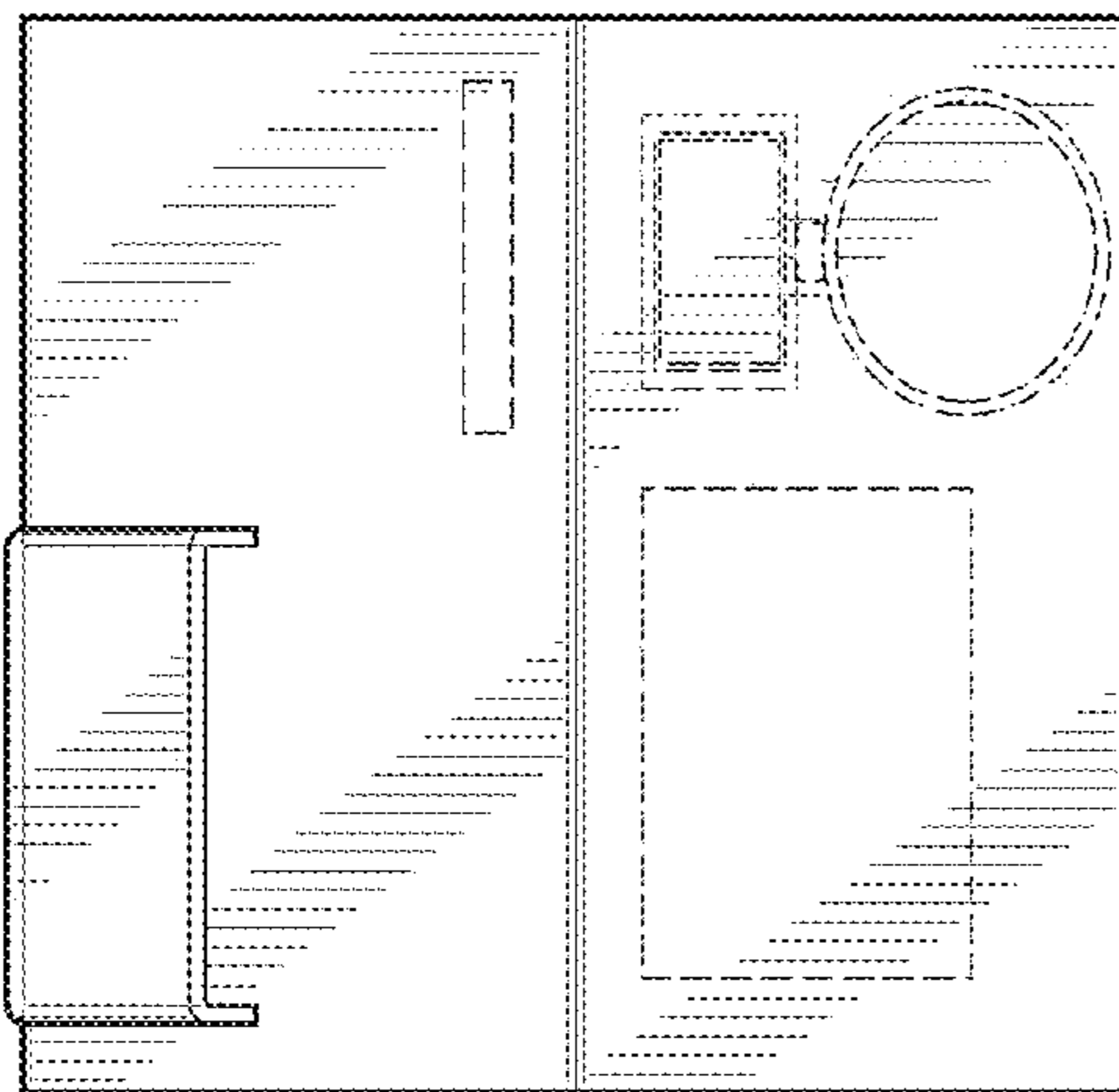


FIG. 6

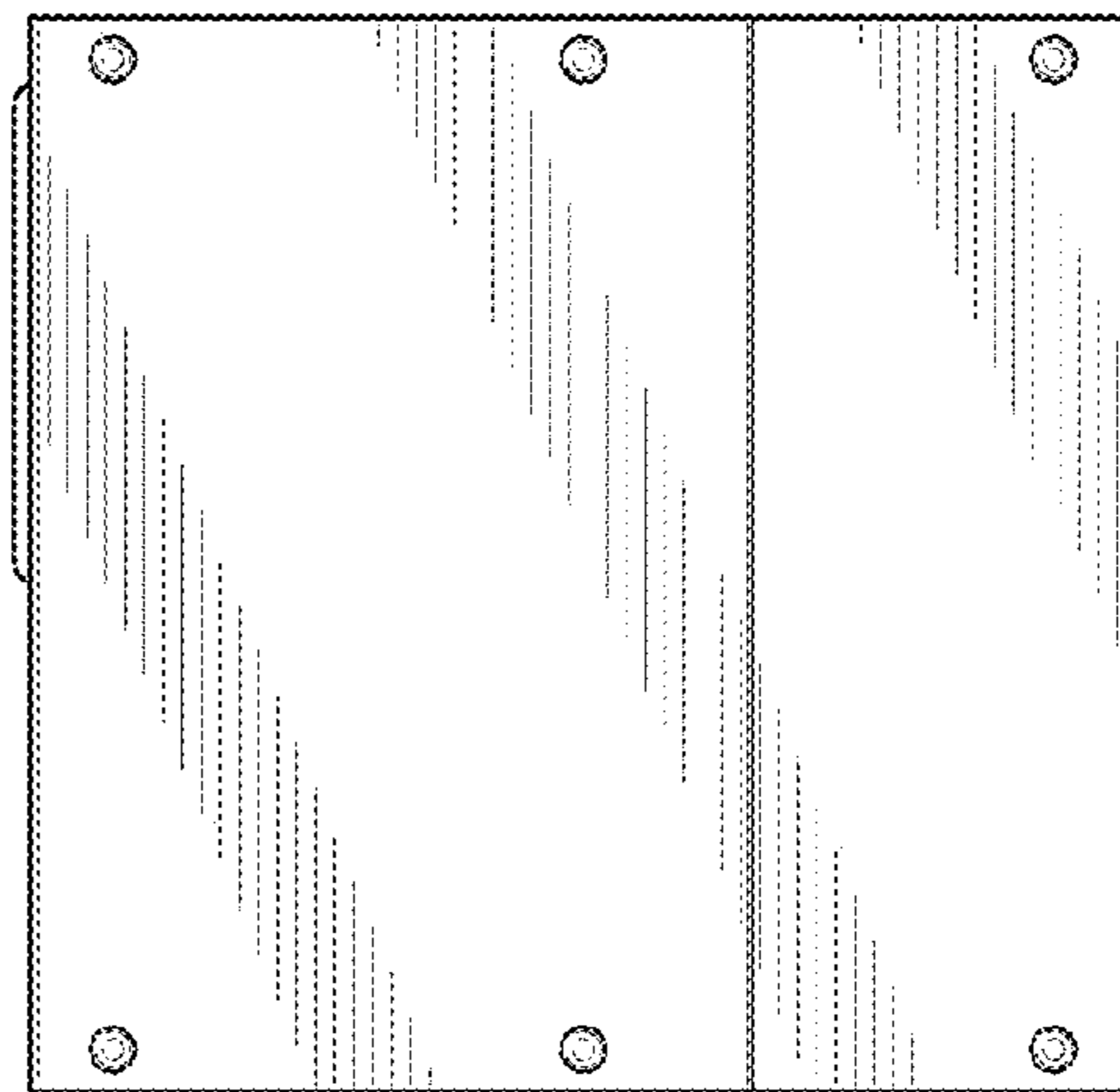


FIG. 7

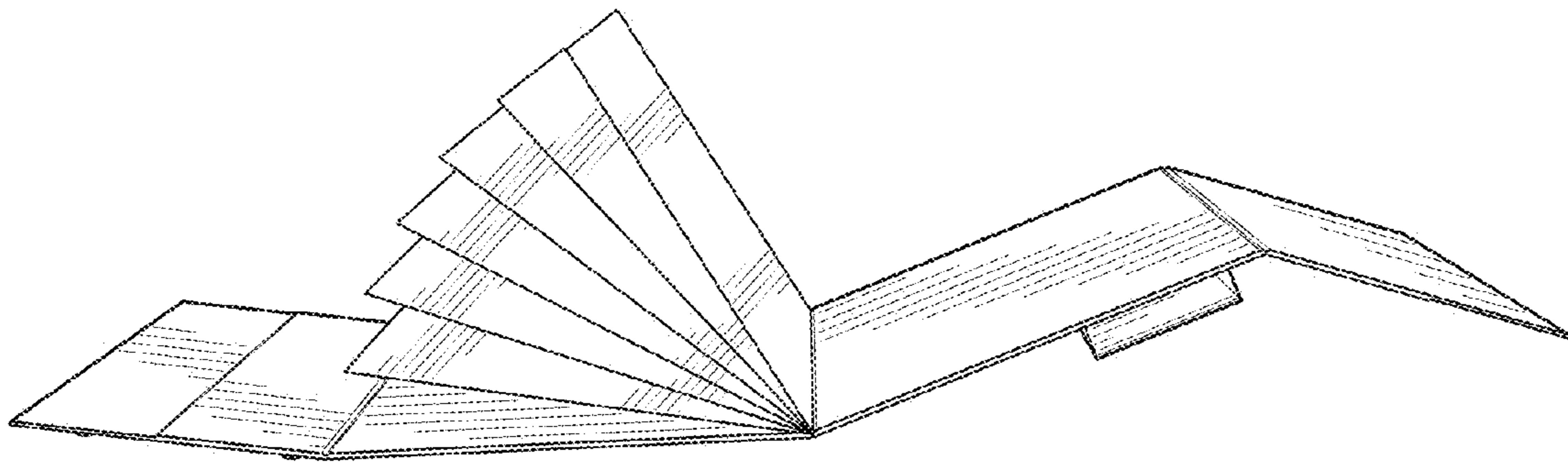


FIG. 8

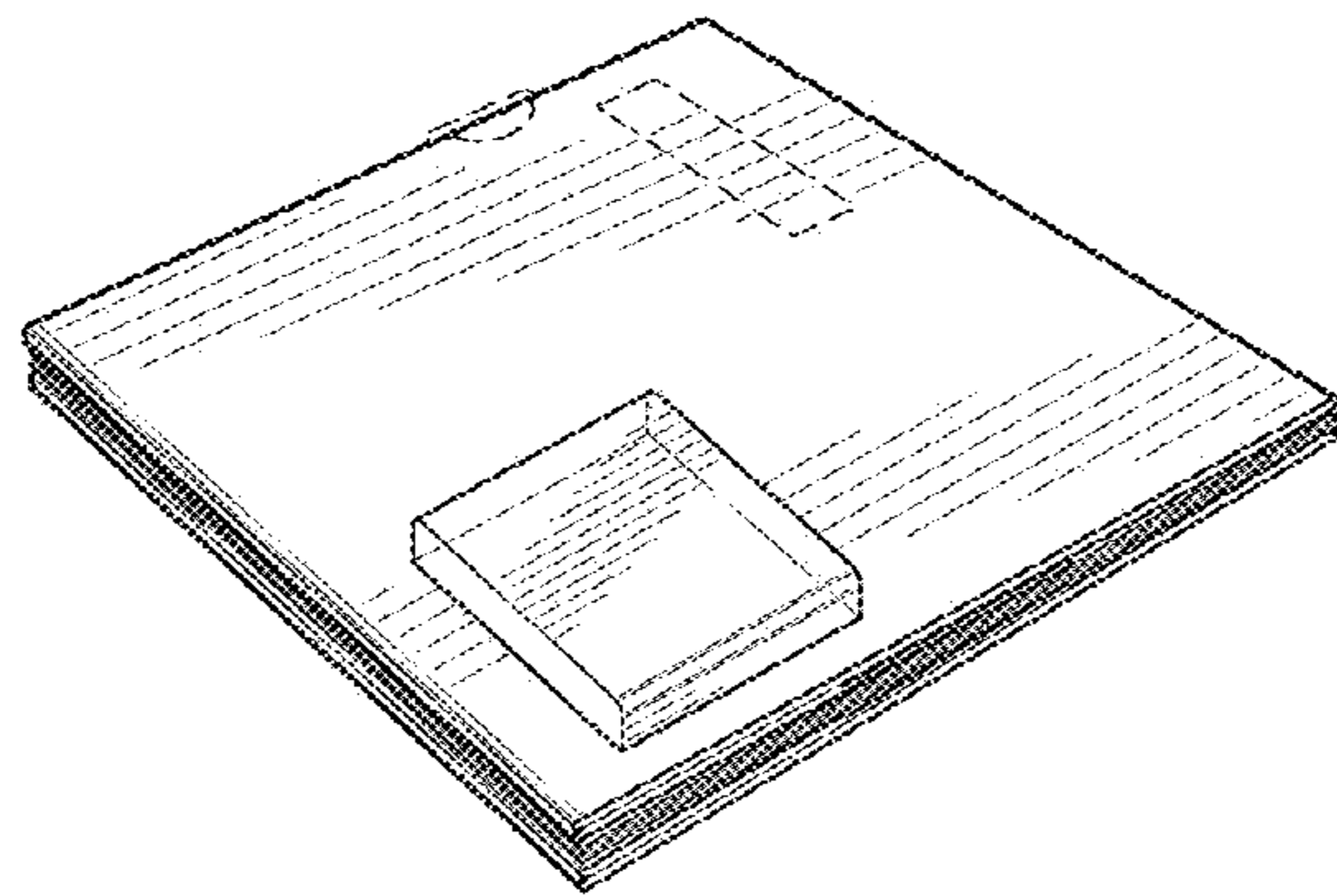


FIG. 9