



US00D706343S

(12) **United States Design Patent**
Lau

(10) **Patent No.:** **US D706,343 S**
(45) **Date of Patent:** **** *Jun. 3, 2014**

(54) **NOTE AND CLIP**

- (76) Inventor: **Janet K. Lau**, Union City, CA (US)
- (*) Notice: This patent is subject to a terminal disclaimer.
- (**) Term: **14 Years**
- (21) Appl. No.: **29/422,911**
- (22) Filed: **May 24, 2012**

Related U.S. Application Data

- (63) Continuation-in-part of application No. 29/369,794, filed on Sep. 13, 2010, now Pat. No. Des. 664,198.
- (51) **LOC (10) Cl.** **19-02**
- (52) **U.S. Cl.**
USPC **D19/65**
- (58) **Field of Classification Search**
USPC D8/394, 395; D19/1, 2, 65, 86, 99, 100;
D20/22, 27, 43; 24/67.1, 67.3, 67.5,
24/67.7, 69.9, 67.11, 67 P, 547, 563,
24/DIG. 8, DIG. 9; 40/300, 359, 641, 658,
40/659, 666
See application file for complete search history.

(56) **References Cited**

U.S. PATENT DOCUMENTS

332,327 A	12/1885	Clark
863,265 A	8/1907	Crouse

(Continued)

FOREIGN PATENT DOCUMENTS

JP	09-071065 A	3/1997
JP	2001-353992 A	12/2001

Primary Examiner — Elizabeth Albert

(74) *Attorney, Agent, or Firm* — Aka Chan LLP

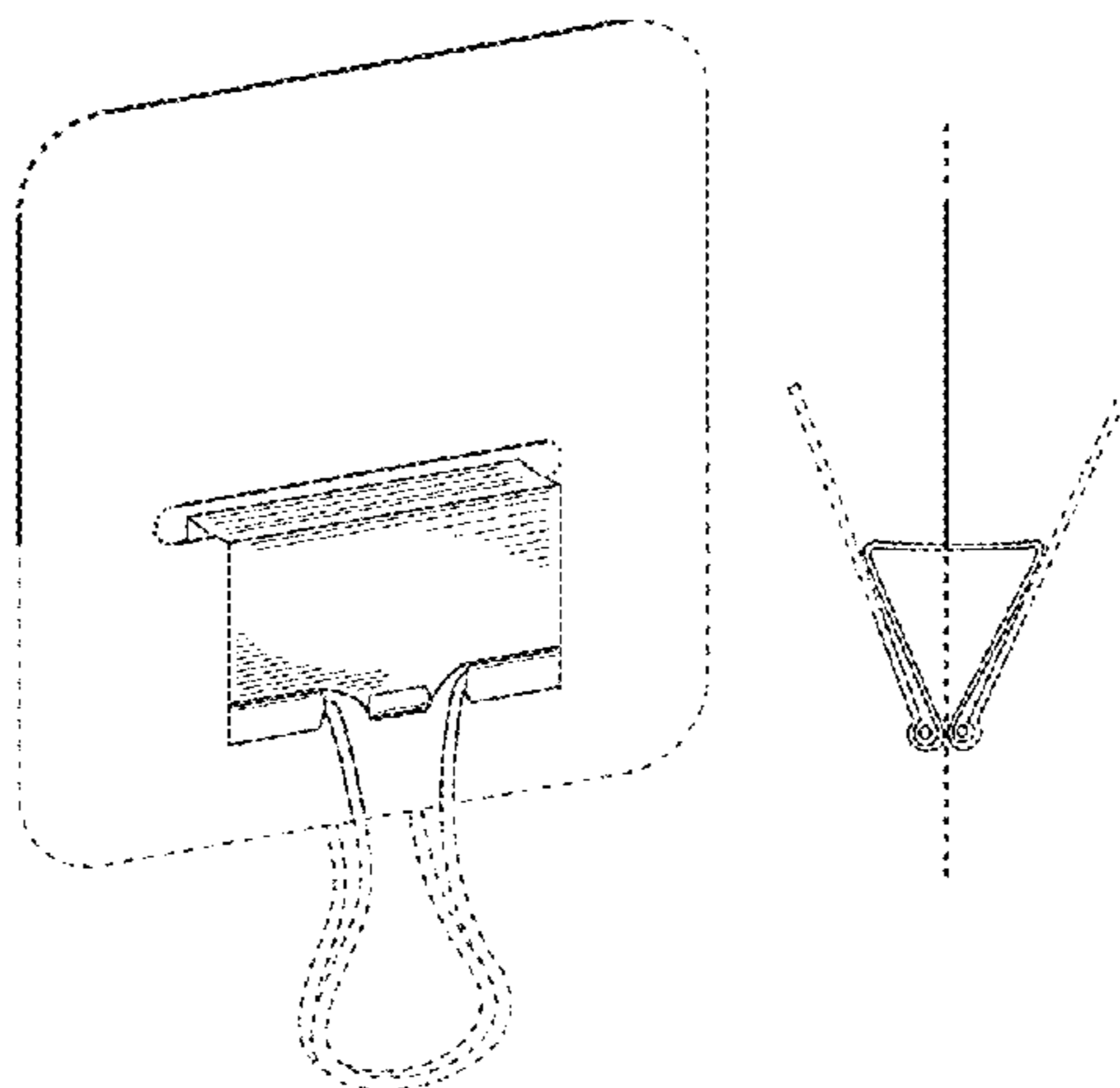
(57) **CLAIM**

The ornamental design for a note and clip, as shown and described.

DESCRIPTION

FIG. 1 shows a perspective view of a first embodiment of a design of a note and clip.
 FIG. 2 shows a right-side view of FIG. 1. A left-side view is a mirror image of the right-side view.
 FIG. 3 shows another perspective view of FIG. 1.
 FIG. 4 shows a front view of FIG. 1. A back view is a mirror image of the front view.
 FIG. 5 shows the right-side view of FIG. 1. A left-side view is a mirror image of the right-side view.
 FIG. 6 shows a back view of FIG. 1. The front view is a mirror image of the back view.
 FIG. 7 shows a top view of FIG. 1.
 FIG. 8 shows a bottom view of FIG. 1.
 FIG. 9 shows a perspective view of a second embodiment of a design of a note and clip.
 FIG. 10 shows a right-side view of FIG. 9. A left-side view is a mirror image of the right-side view.
 FIG. 11 shows another perspective view of FIG. 9.
 FIG. 12 shows a front view of FIG. 9. A back view is a mirror image of the front view.
 FIG. 13 shows the right-side view of FIG. 9. A left-side view is a mirror image of the right-side view.
 FIG. 14 shows a back view of FIG. 9. A front view is a mirror image of the back view.
 FIG. 15 shows a top view of FIG. 9.
 FIG. 16 shows a bottom view of FIG. 9.
 FIG. 17 shows a perspective view of a third embodiment of a design of a note and clip.
 FIG. 18 shows a right-side view of FIG. 17. A left-side view is a mirror image of the right-side view.
 FIG. 19 shows another perspective view of FIG. 17.
 FIG. 20 shows a front view of FIG. 17. A back view of this embodiment is a mirror image of the front view.
 FIG. 21 shows a right-side view of FIG. 17. A left-side view of this embodiment is a mirror image of the right-side view.
 FIG. 22 shows a back view of FIG. 17. A front view of this embodiment is a mirror image of the back view.
 FIG. 23 shows a top view of FIG. 17; and,
 FIG. 24 shows a bottom view of FIG. 17.
 The surfaces of the note are entirely unclaimed except for the edge lines that are shown as solid lines. The broken-line features in the figures are for illustrative purposes only and form no part of the claimed design.

1 Claim, 3 Drawing Sheets



(56)

References Cited

U.S. PATENT DOCUMENTS

876,252 A	1/1908	Baker	
962,397 A	6/1910	Whitmore	
1,052,505 A	2/1913	Munger et al.	
1,123,008 A	12/1914	Rice	
1,139,627 A	5/1915	Baltzley	
1,158,940 A	11/1915	Litt et al.	
1,178,113 A	4/1916	Turton et al.	
D50,594 S	4/1917	Voges	
1,345,365 A	7/1920	Hutchison	
1,465,576 A	8/1923	Biggs	
1,501,067 A	7/1924	Schaffert	
1,524,478 A	1/1925	Hunter	
1,587,335 A	6/1926	Kline	
1,661,165 A	3/1928	Cameron	
1,778,031 A	10/1930	Kinch	
1,802,980 A	4/1931	Marsh	
1,826,580 A	10/1931	Spinney	
1,840,604 A	1/1932	Randall	
1,865,453 A *	7/1932	Baltzley	24/545
1,888,704 A *	11/1932	Swett	40/662
1,894,906 A	1/1933	Henry	
1,914,671 A	6/1933	O'Neil	
1,976,465 A	10/1934	Thomson	
1,977,096 A	10/1934	Straubel	
1,985,866 A	12/1934	Lankenau	
1,997,894 A	4/1935	Woodley	
2,008,019 A	7/1935	Horlick, Jr.	
D104,956 S	6/1937	Baker	
2,118,043 A	5/1938	Goza	
2,156,743 A	5/1939	Skrebba	
2,323,552 A	7/1943	Marion	
D136,639 S	11/1943	Hoffman	
2,362,445 A	11/1944	Blodgett	
2,415,248 A	2/1947	Kenna et al.	
2,420,021 A	5/1947	Straubel	
2,623,311 A	12/1952	Condon	
2,695,026 A	11/1954	Broneer	
3,073,046 A	1/1963	Condon	
3,123,924 A	3/1964	Roberts	
3,225,469 A	12/1965	Chase	
3,247,602 A	4/1966	Hamilton et al.	
3,290,810 A	12/1966	Morena	
3,301,264 A *	1/1967	Usoskin	402/70
3,360,877 A	1/1968	Estep	
3,934,368 A	1/1976	Fearing	
D241,342 S	9/1976	Carroll	
D268,848 S	5/1983	Lorber	
4,384,417 A	5/1983	Thompson	
4,425,724 A	1/1984	Scott	
4,532,680 A *	8/1985	Hashimoto	24/67 R
4,646,455 A	3/1987	Gardner	
4,691,458 A	9/1987	Scott	
D295,540 S	5/1988	Rabig	
4,761,862 A *	8/1988	Hikomori	24/67.9
4,878,302 A	11/1989	Jowsey	
4,951,408 A	8/1990	Banks	
D314,012 S	1/1991	Klodt	
D327,183 S	6/1992	Meyer	
5,199,203 A	4/1993	Jones	
5,481,784 A	1/1996	Sinaiko	
D368,487 S *	4/1996	Lindberg	D19/1
5,533,236 A *	7/1996	Tseng	24/67.5
D372,498 S *	8/1996	Sato	D19/65
5,619,789 A *	4/1997	Chung	29/814
5,638,583 A *	6/1997	Tseng	24/67.5
D382,405 S	8/1997	Ohayon	
D383,789 S	9/1997	Shyu	
5,695,219 A	12/1997	Crawford	
5,896,624 A *	4/1999	Horswell	24/67.5
D409,245 S	5/1999	Wolff	
5,950,283 A *	9/1999	Sato	24/67 R
D416,040 S	11/1999	Kasom et al.	
D416,584 S *	11/1999	Ho	D19/78
5,996,130 A	12/1999	Verhines	
6,197,396 B1 *	3/2001	Haas et al.	428/40.1
6,327,749 B1 *	12/2001	Antinone	24/67 R
6,363,941 B1 *	4/2002	Combs	131/190
6,374,463 B1 *	4/2002	Kaufman	24/67.5
D465,525 S	11/2002	Dilday	
D468,355 S *	1/2003	Danella et al.	D19/65
D476,172 S	6/2003	Bourne, Sr.	
D478,122 S *	8/2003	Haas	D19/2
D479,560 S *	9/2003	Deaton, Sr.	D20/19
D485,780 S *	1/2004	Thomson	D11/78.1
D488,835 S *	4/2004	Haruhiro	D19/90
7,005,170 B1 *	2/2006	Simpson et al.	428/40.1
7,120,969 B2 *	10/2006	Carls	24/67.3
7,225,570 B2 *	6/2007	Windorski	40/641
7,318,293 B2 *	1/2008	Ardern, II	40/666
D565,109 S *	3/2008	Lau	D19/65
D565,112 S *	3/2008	Lau	D19/65
D566,184 S *	4/2008	Lau	D19/65
D580,982 S *	11/2008	Lau	D19/65
D616,294 S *	5/2010	Britt et al.	D9/414
D616,736 S *	6/2010	Britt et al.	D9/415
7,730,593 B1 *	6/2010	Juilly	24/67.5
D642,623 S *	8/2011	Turner et al.	D20/40
7,992,260 B1 *	8/2011	Juilly	24/67.5
8,074,325 B2 *	12/2011	Gerfast	24/67.9
D663,774 S *	7/2012	Lau	D19/65
D681,733 S *	5/2013	Lau	D19/65
2001/0032376 A1 *	10/2001	Payne	24/67.5
2003/0115722 A1 *	6/2003	Shogbamimu et al.	24/67 R
2005/0060923 A1 *	3/2005	Ardern, II	40/658
2005/0217078 A1	10/2005	Groch et al.	
2005/0271848 A1 *	12/2005	Kitchin et al.	428/40.1
2006/0000133 A1	1/2006	Windorski	
2006/0130288 A1 *	6/2006	Carls	24/67.3
2007/0209264 A1	9/2007	Lau	
2010/0313393 A1 *	12/2010	Kim et al.	24/67 R

* cited by examiner

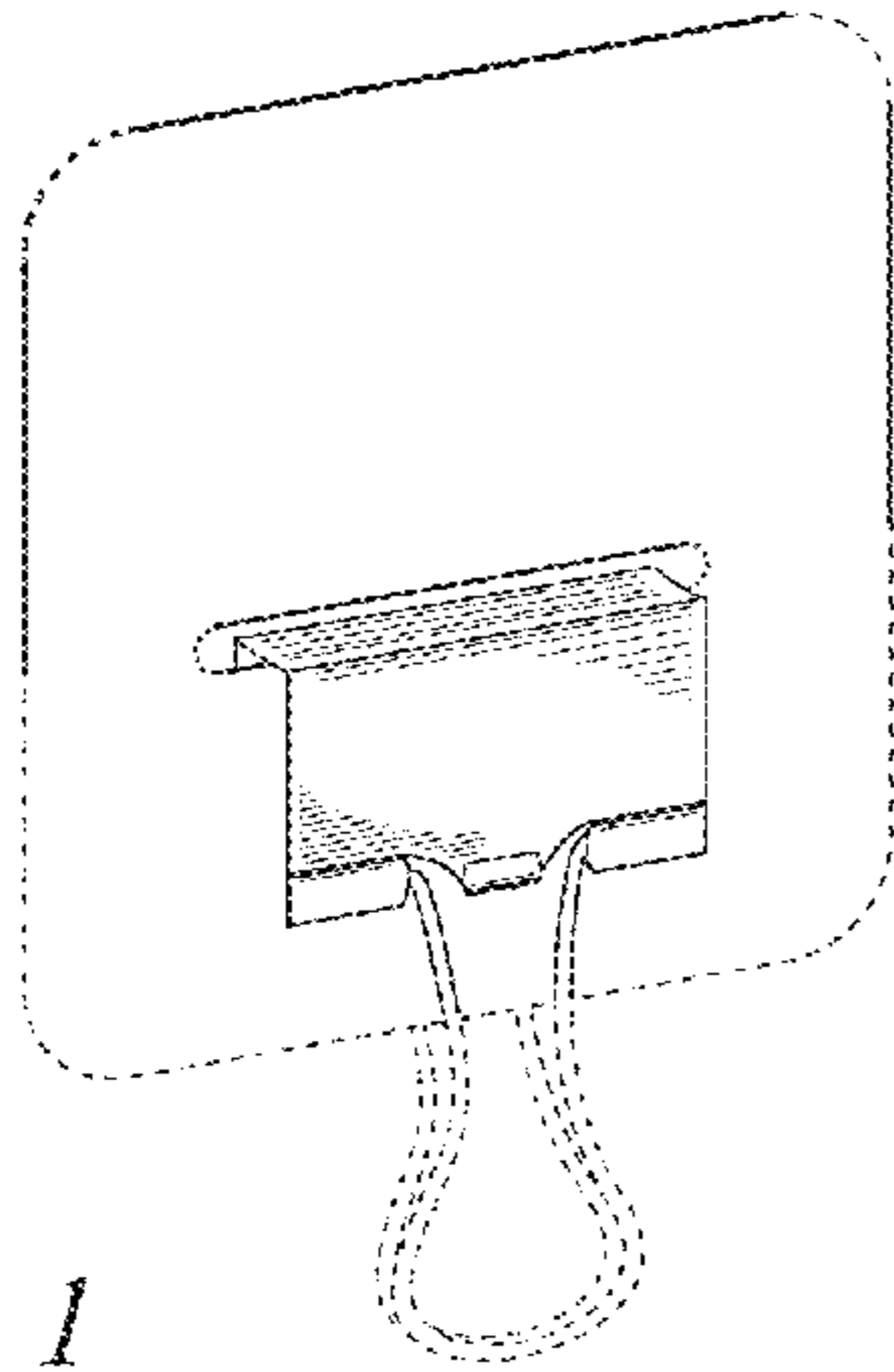


FIG. 1

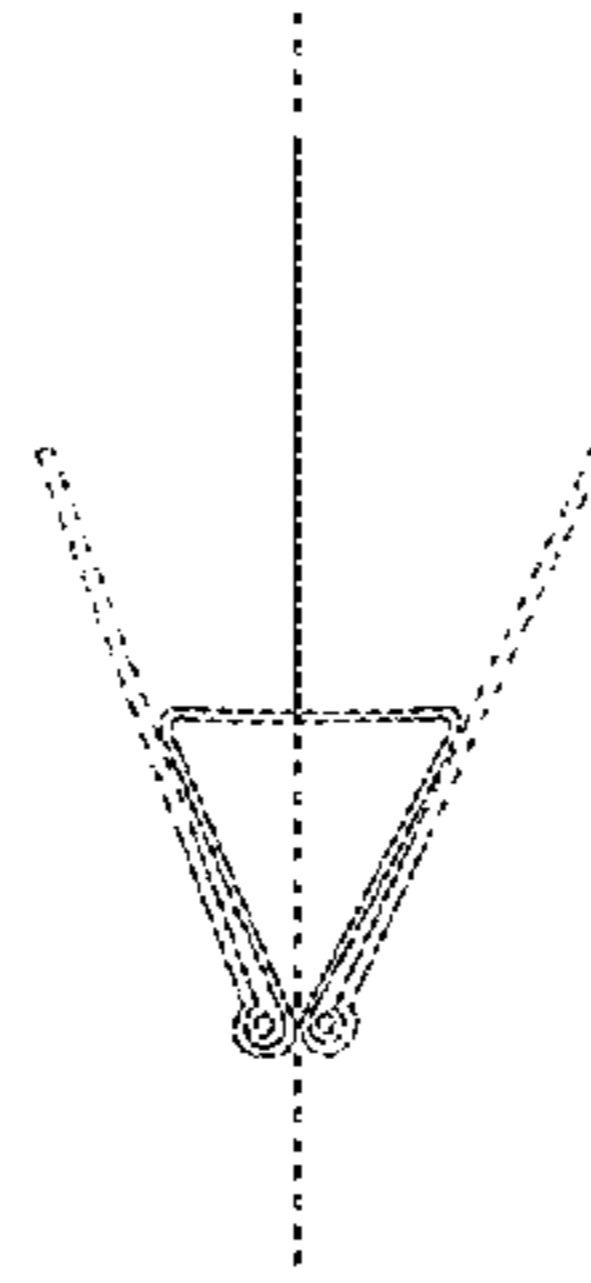


FIG. 2

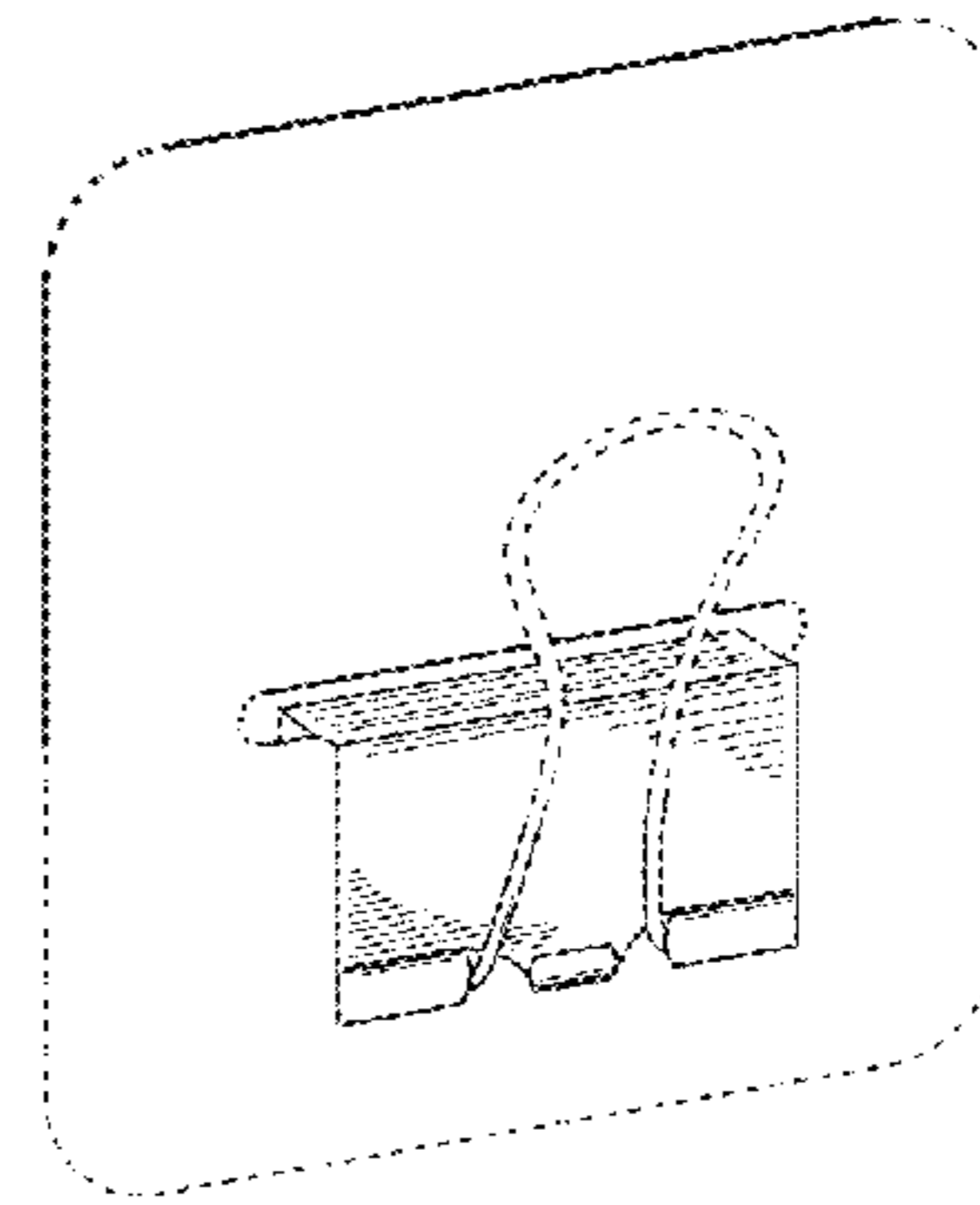


FIG. 3

FIG. 7

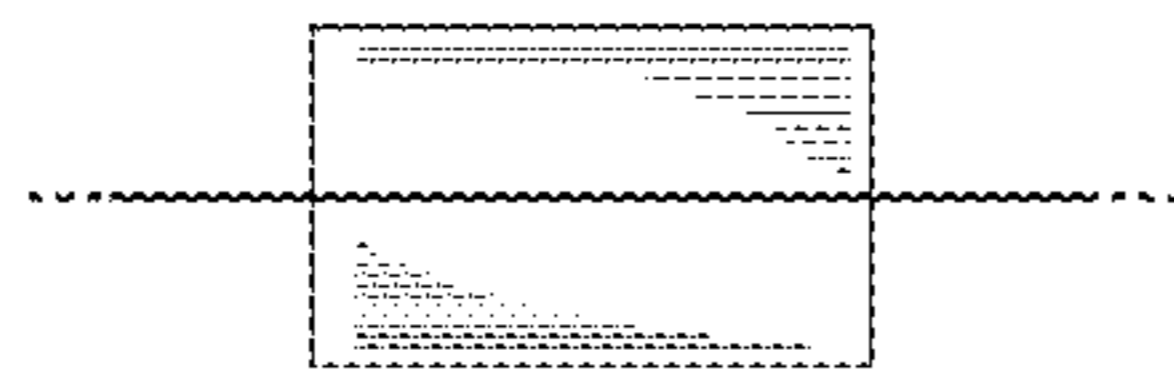


FIG. 8

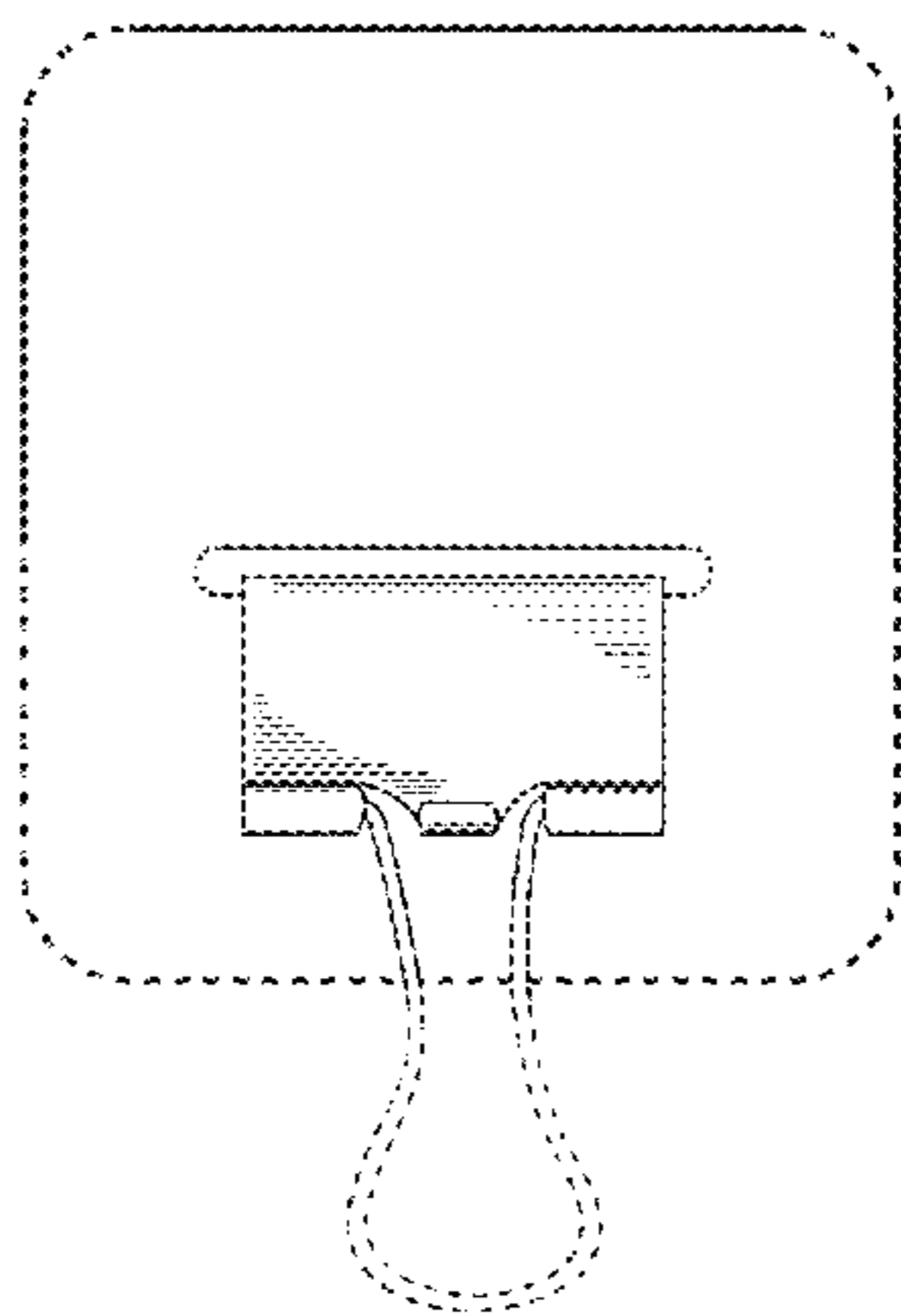


FIG. 4

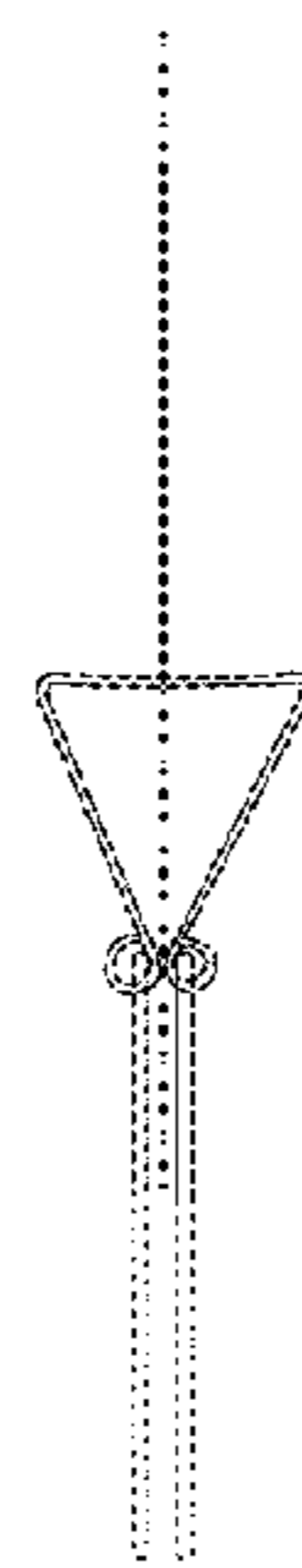


FIG. 5

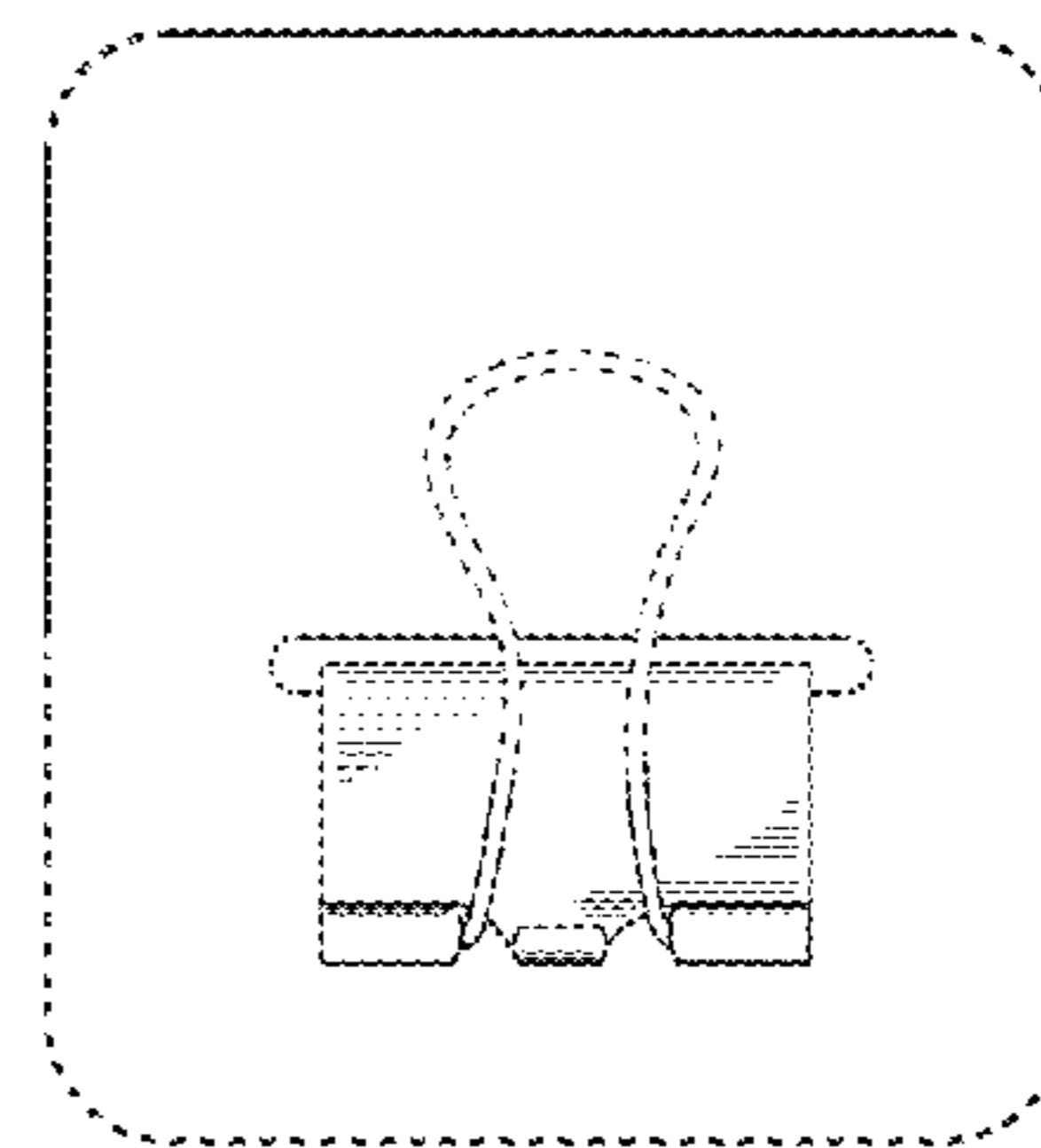


FIG. 6

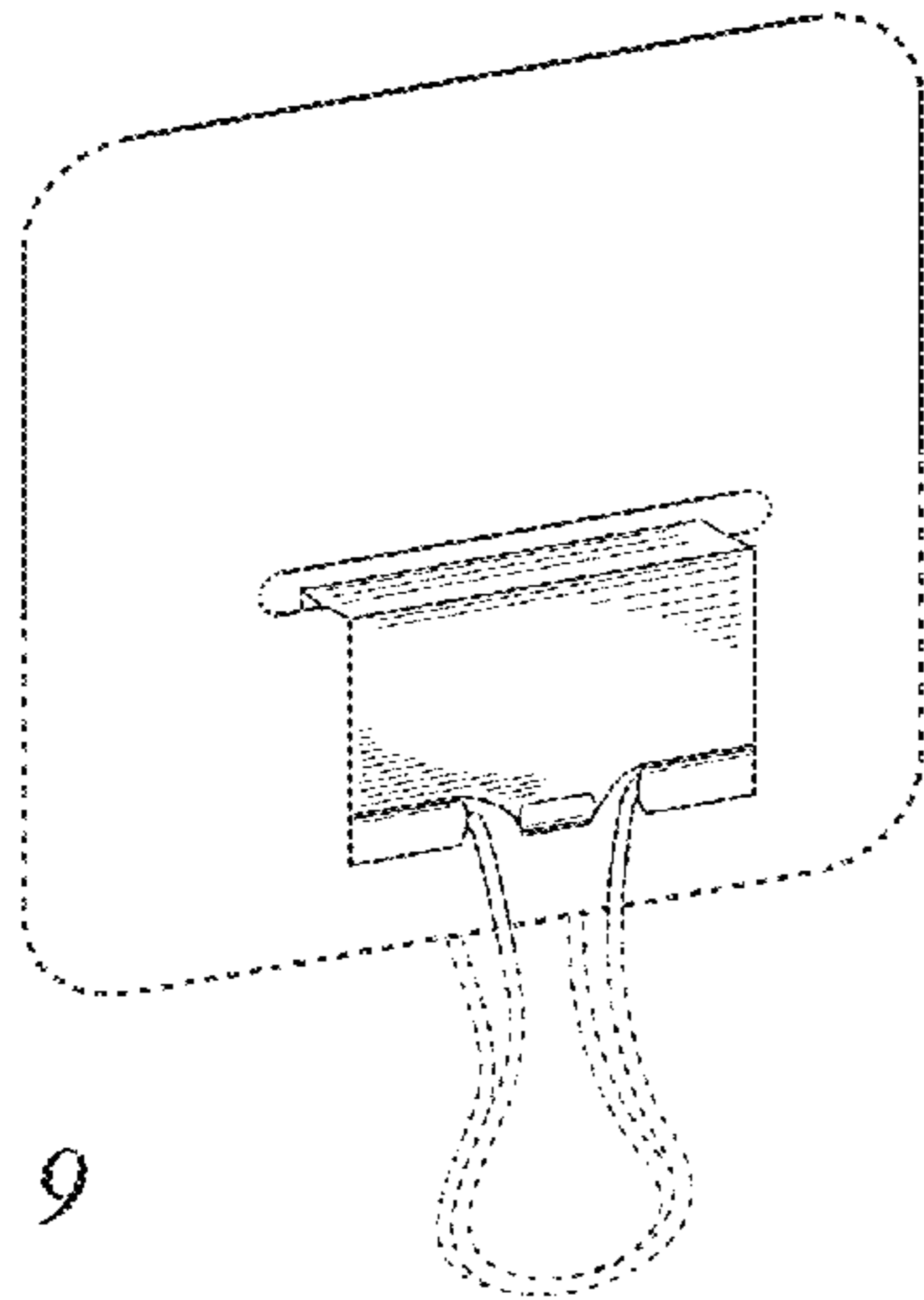


FIG. 9

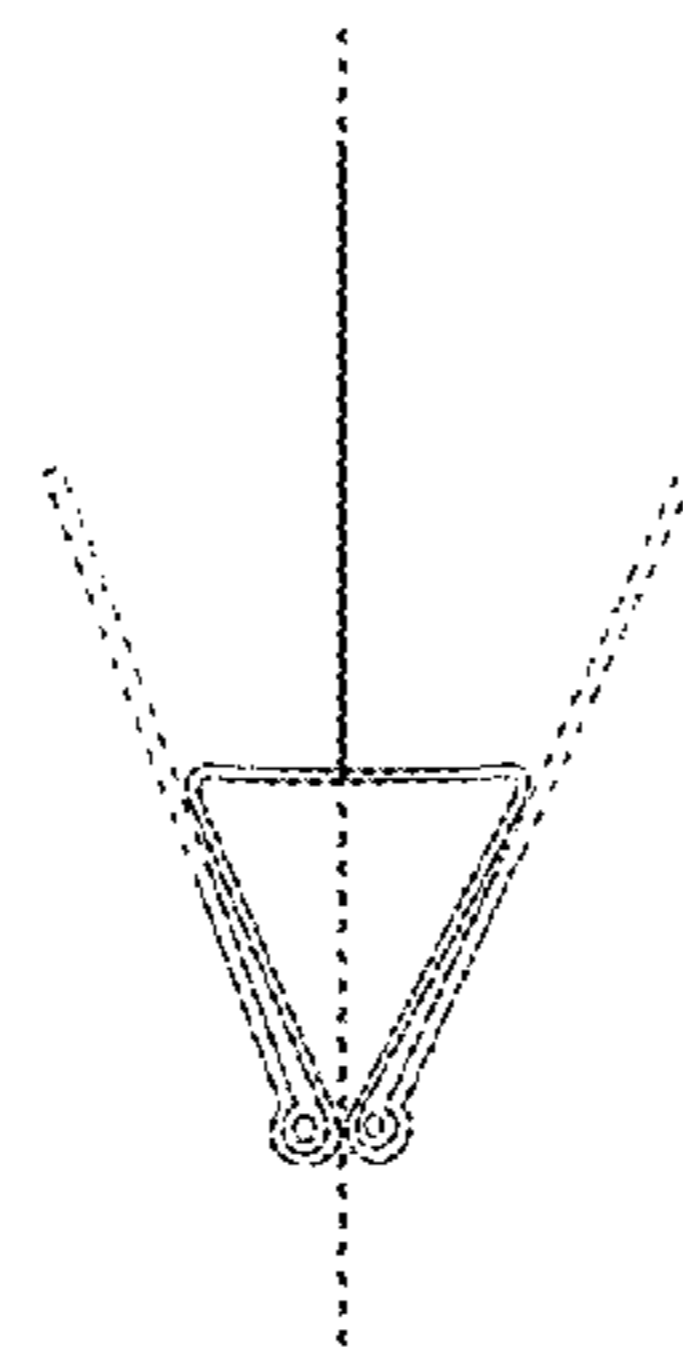


FIG. 10

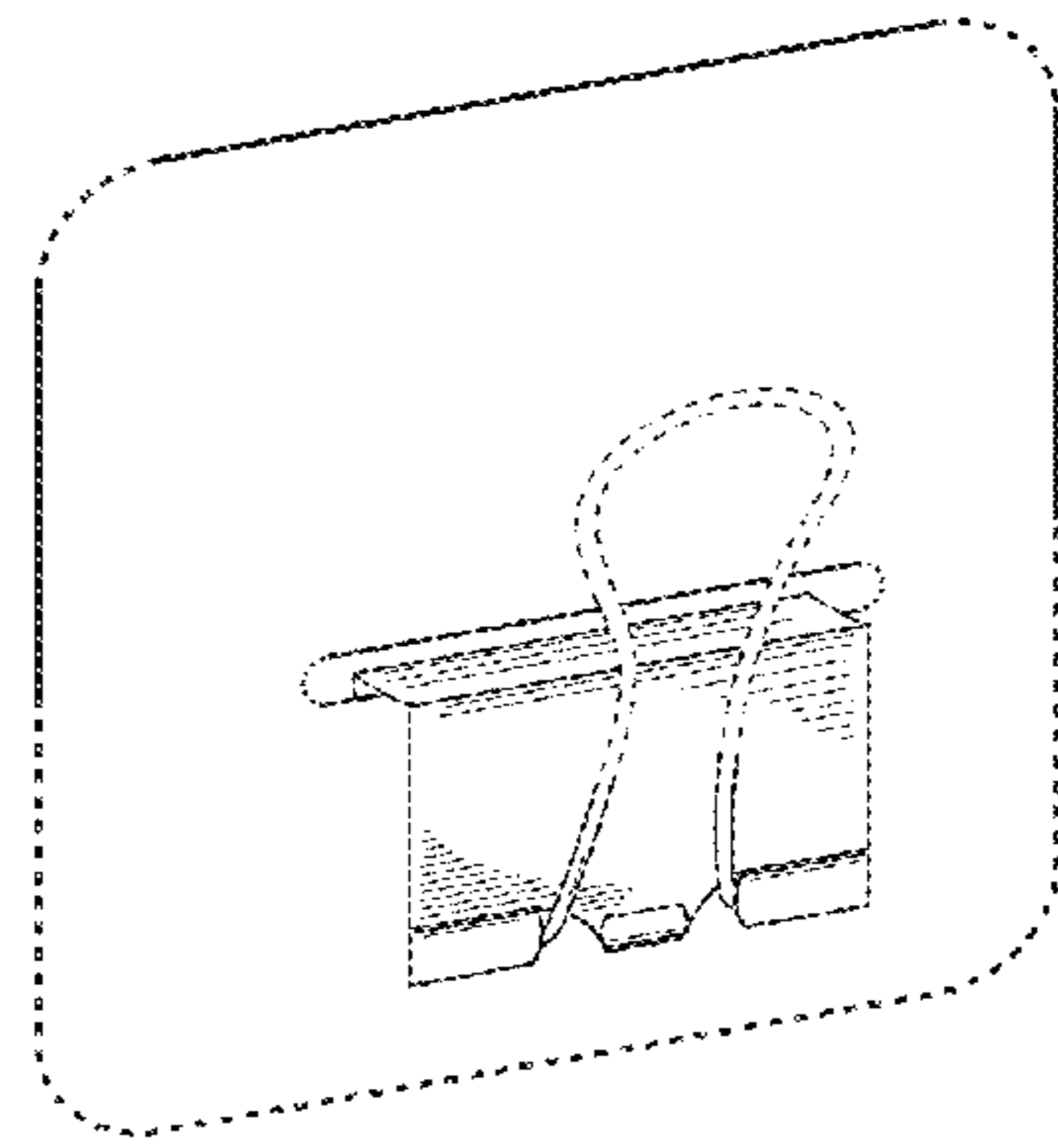


FIG. 11

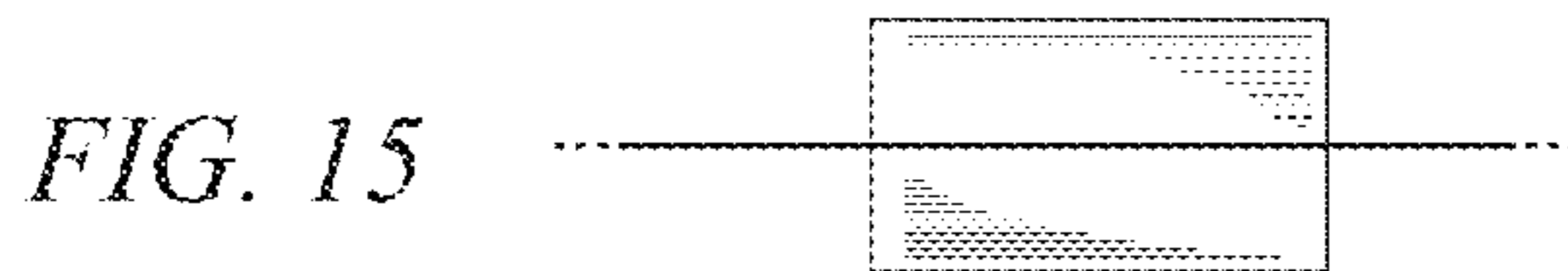


FIG. 15

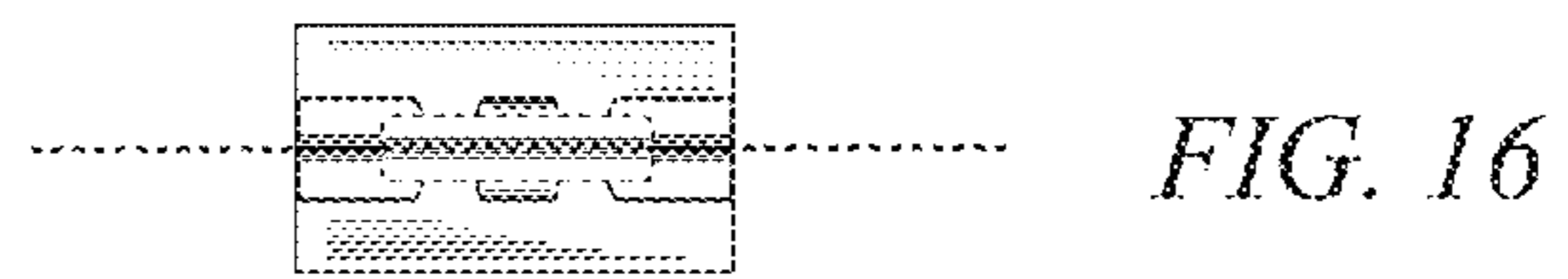


FIG. 16

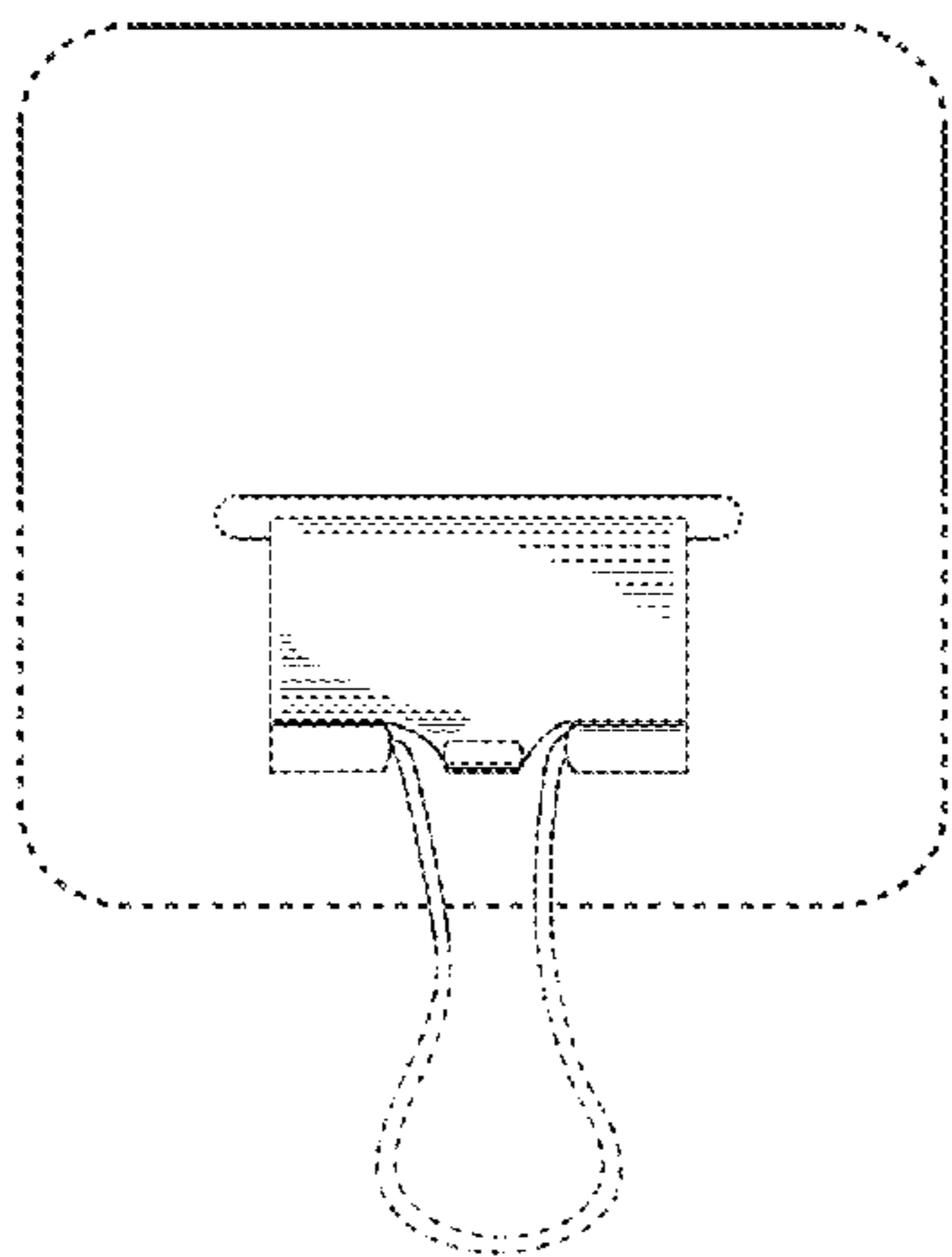


FIG. 12

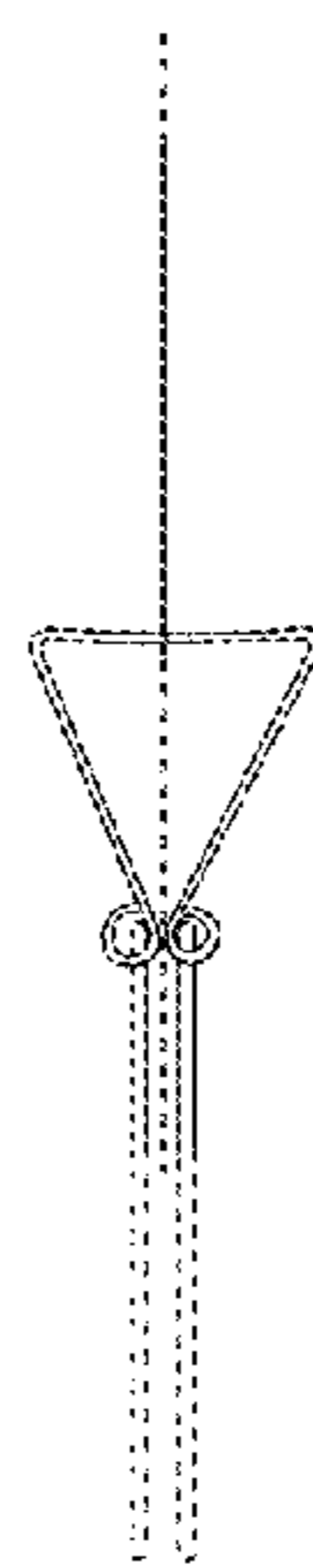


FIG. 13

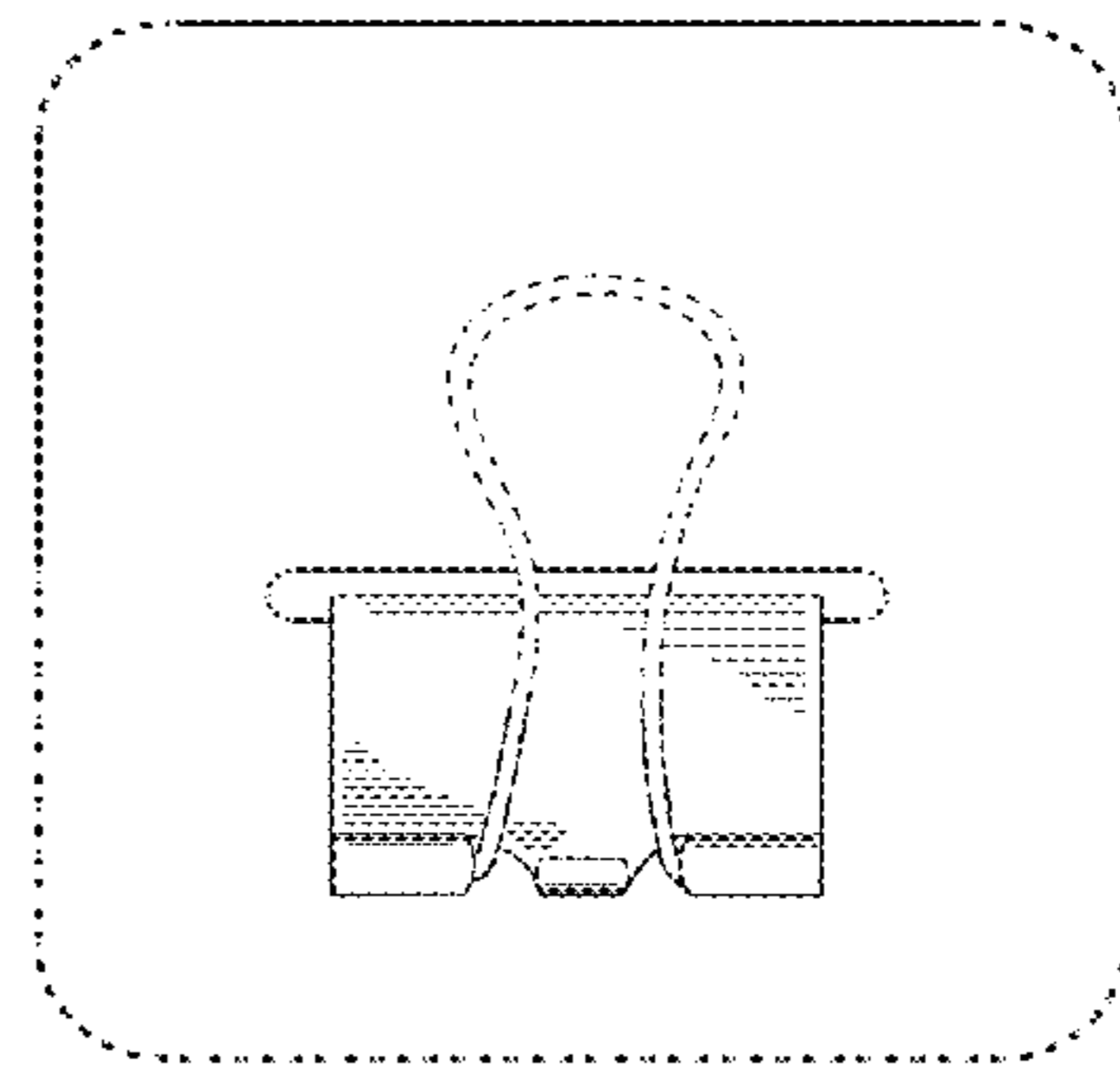


FIG. 14

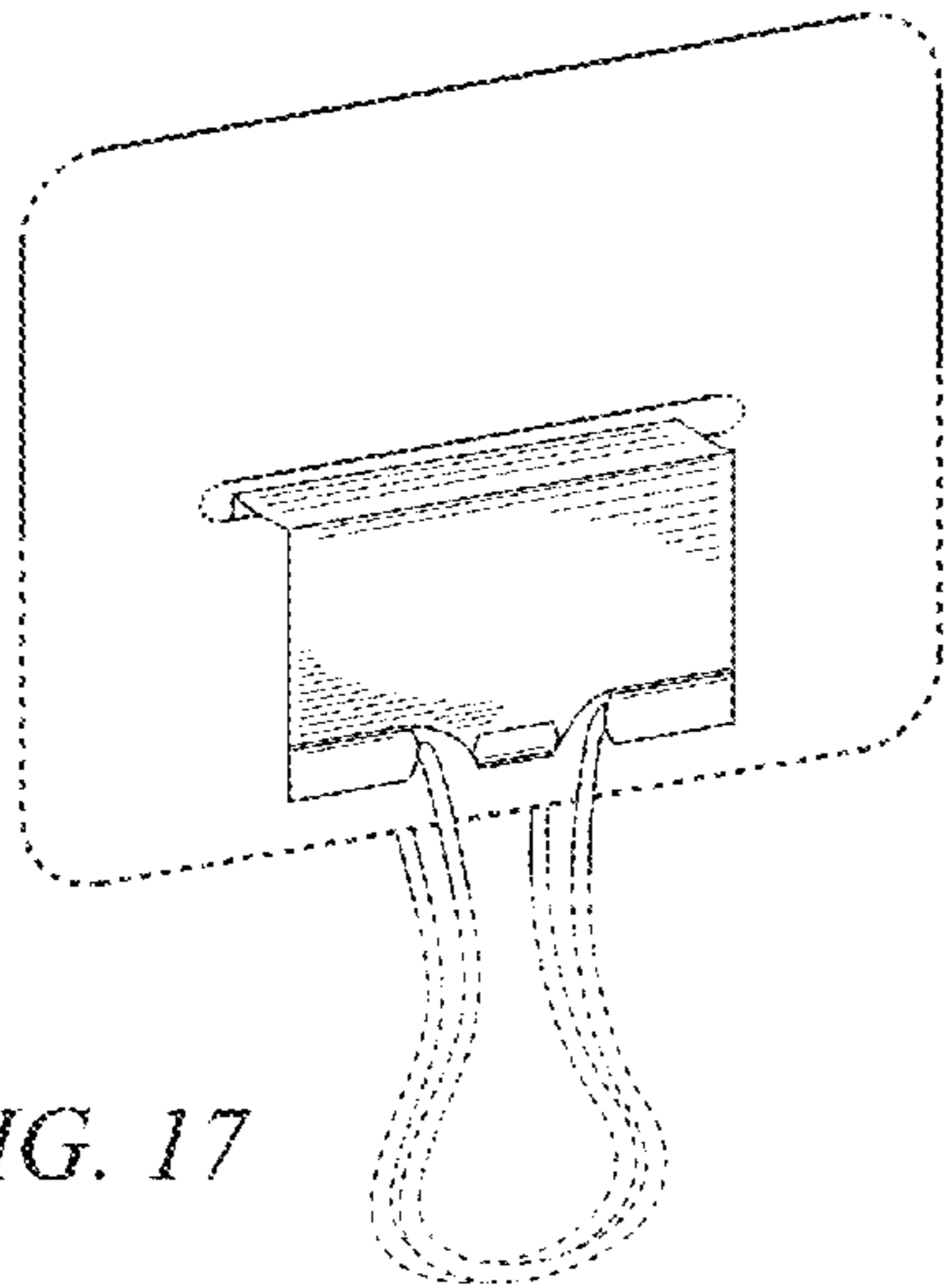


FIG. 17

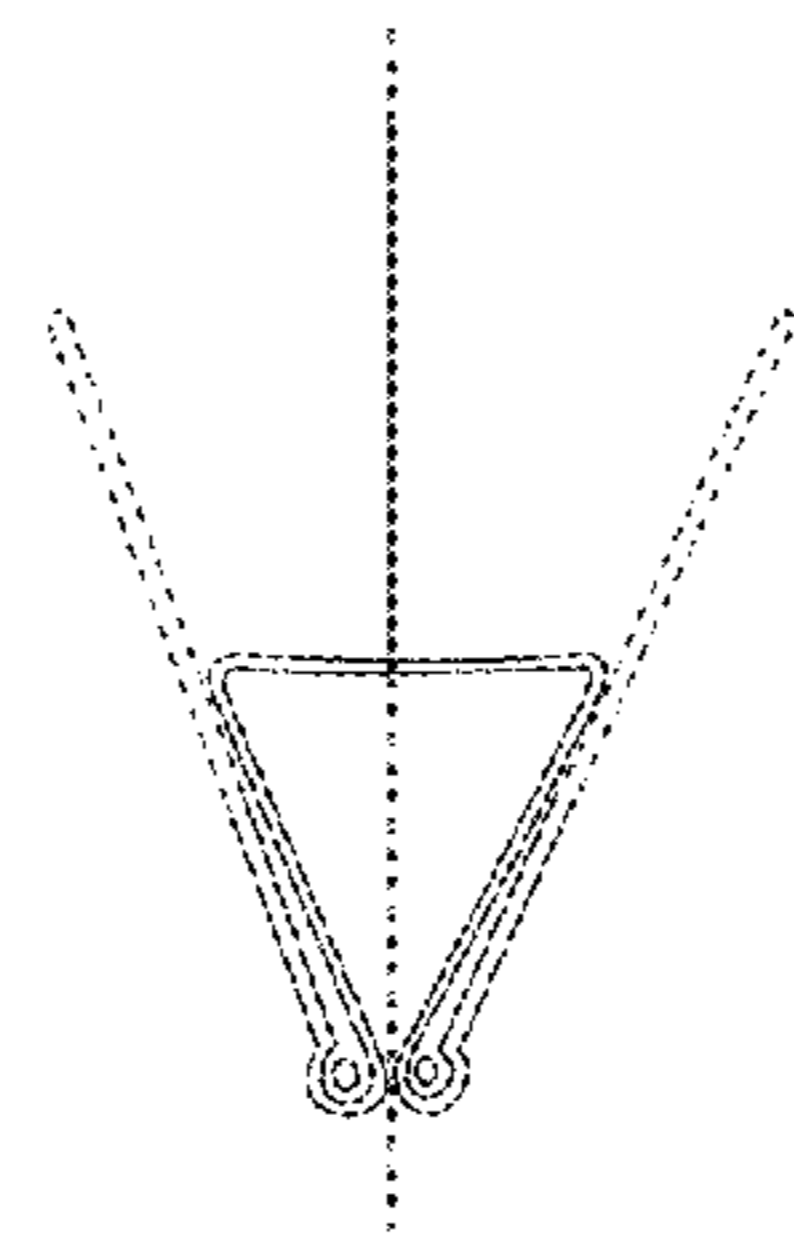


FIG. 18

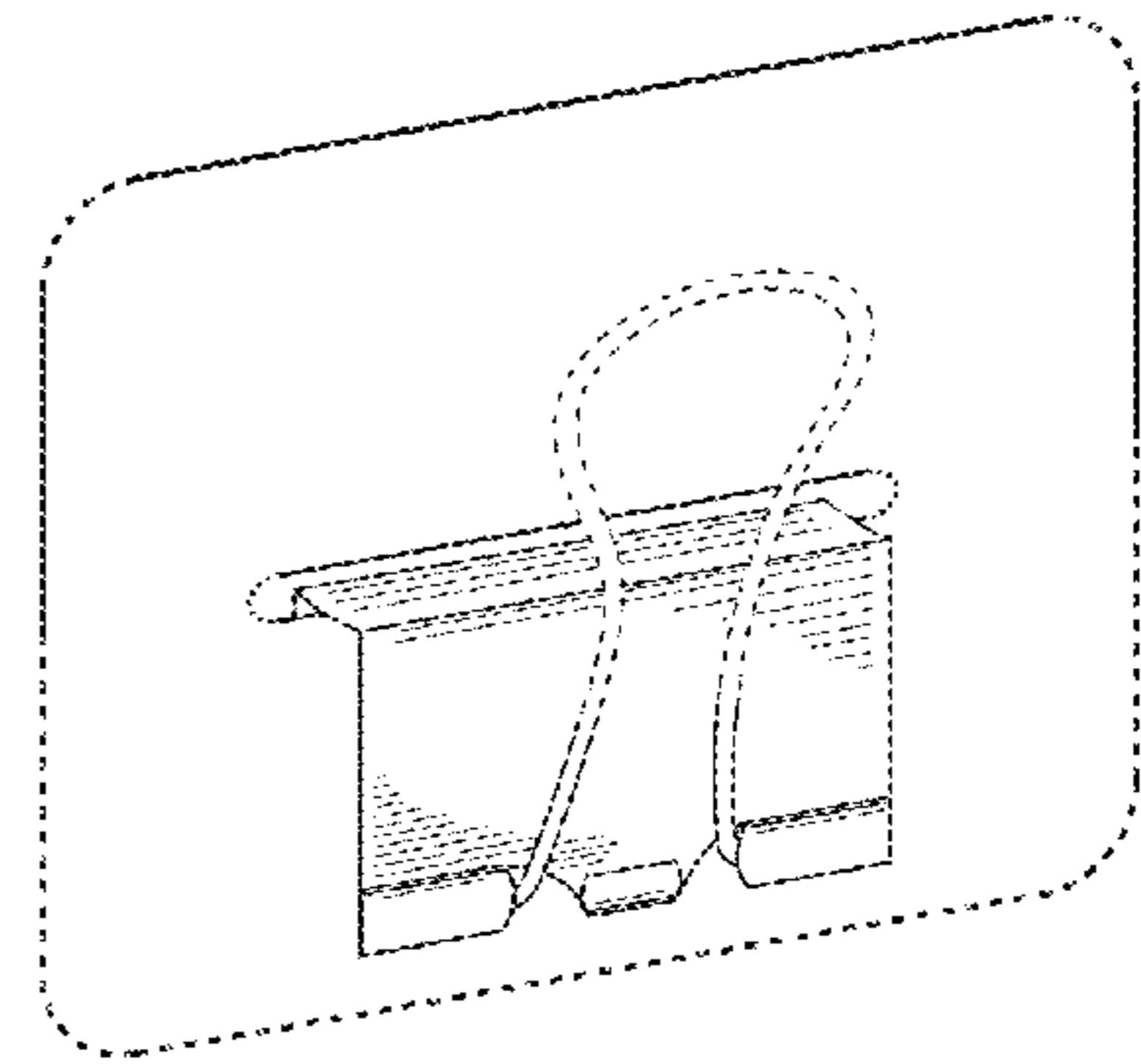


FIG. 19

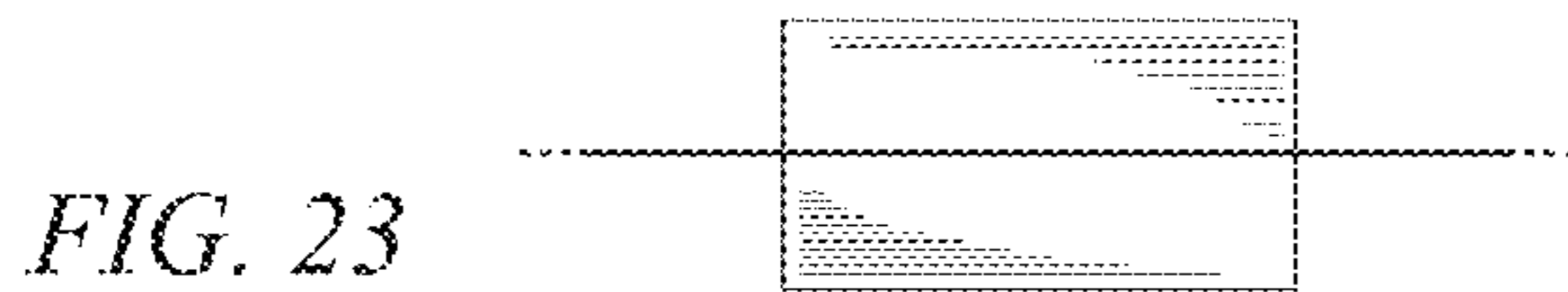


FIG. 23

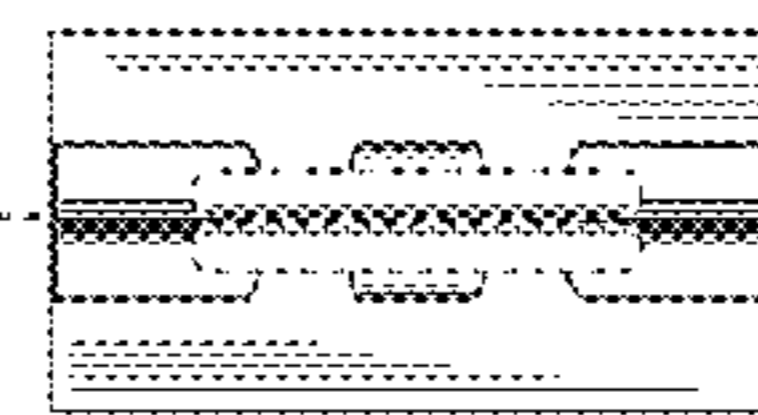


FIG. 24

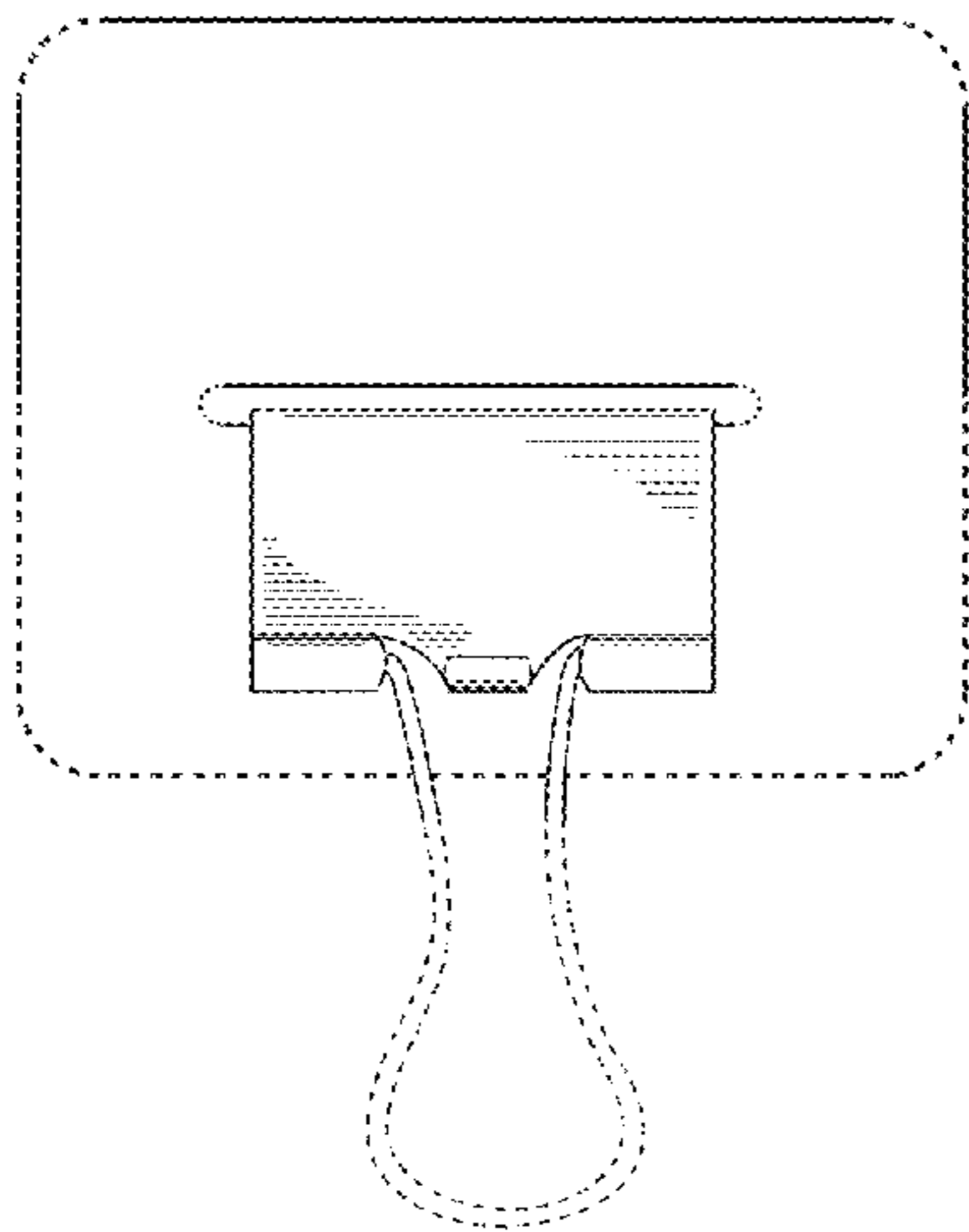


FIG. 20

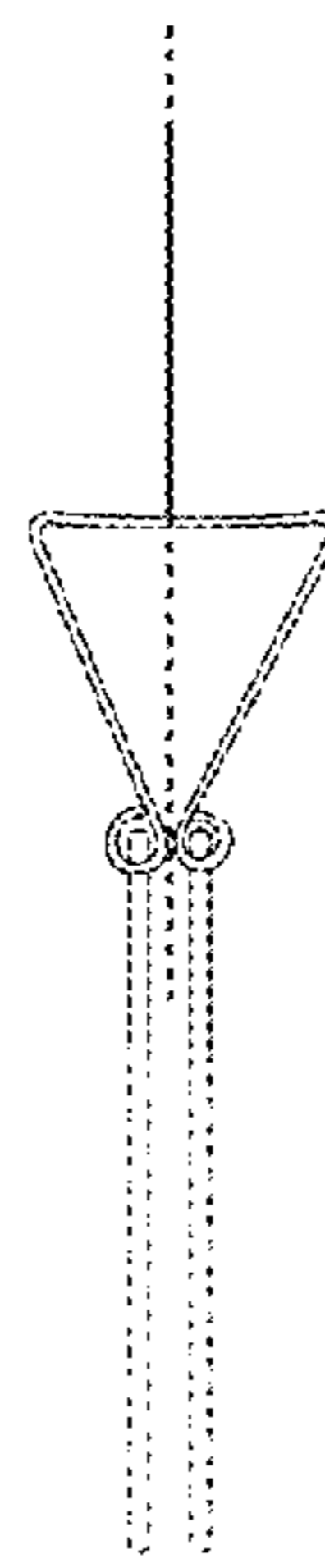


FIG. 21

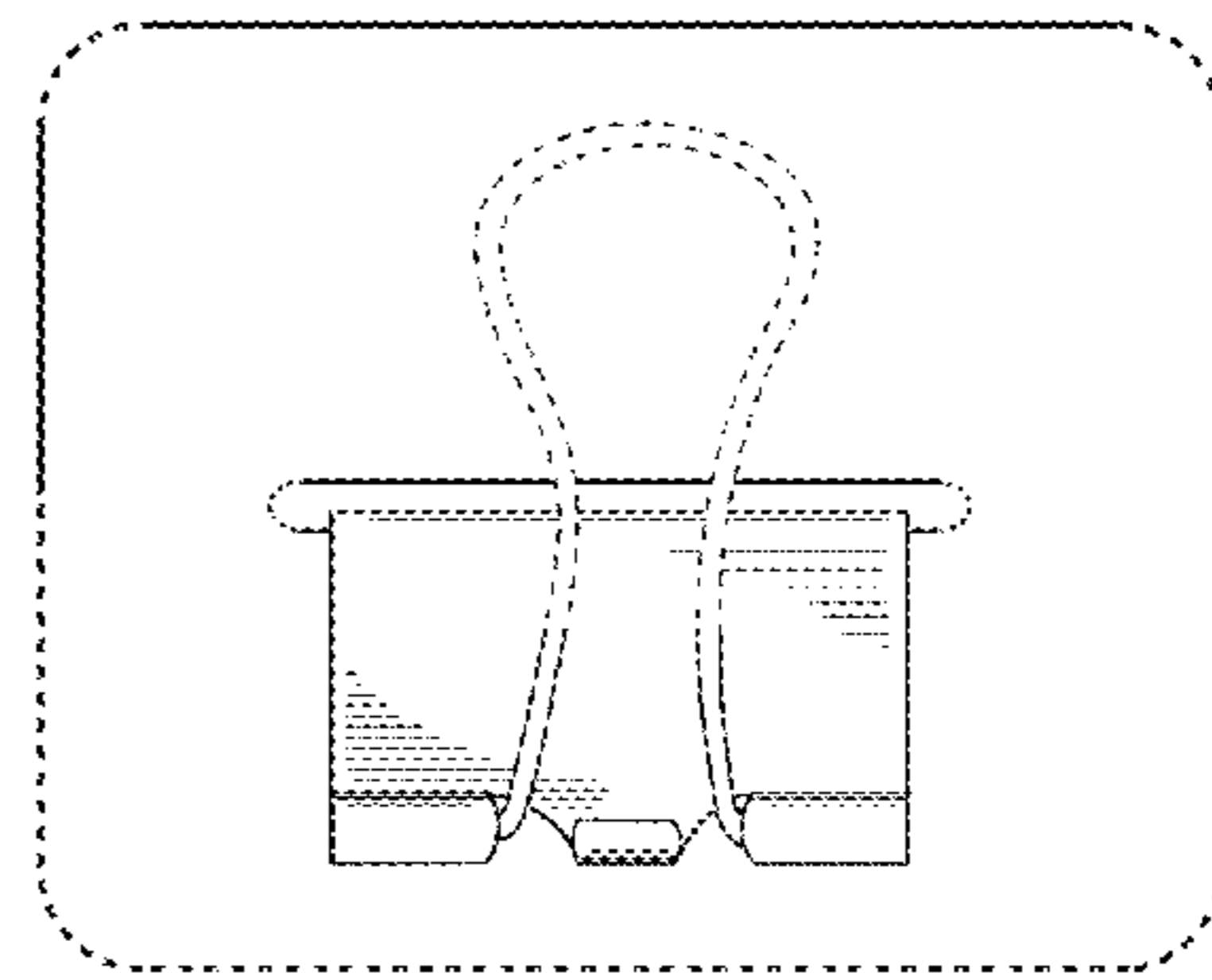


FIG. 22