



US00D706341S

(12) **United States Design Patent**
Kano et al.

(10) **Patent No.:** **US D706,341 S**
(45) **Date of Patent:** **** Jun. 3, 2014**

(54) **PRINTER**

(75) Inventors: **Tomohisa Kano**, Shiojiri (JP); **Seiji Kimura**, Shiojiri (JP); **Takashi Makino**, Matsumoto (JP)

(73) Assignee: **Seiko Epson Corporation**, Tokyo (JP)

(**) Term: **14 Years**

(21) Appl. No.: **29/430,560**

(22) Filed: **Aug. 28, 2012**

(30) **Foreign Application Priority Data**

Apr. 3, 2012 (JP) 2012-007836

(51) **LOC (10) Cl.** **14-02**

(52) **U.S. Cl.**
USPC **D18/50**; D18/14; D18/19

(58) **Field of Classification Search**
USPC D18/14, 19, 36-37, 50, 54, 54.1, 55;
400/613, 613.1-613.4, 690.1-690.4,
400/691-694

See application file for complete search history.

(56) **References Cited**

U.S. PATENT DOCUMENTS

5,213,327 A * 5/1993 Kitaue 463/38
D376,384 S * 12/1996 Woei-Fang D18/55
D431,596 S * 10/2000 Berger D18/50
D443,889 S * 6/2001 Yamano et al. D18/50
D465,236 S * 11/2002 Fukasawa et al. D18/50
D516,120 S * 2/2006 Yamano et al. D18/55

D523,072 S * 6/2006 Lee et al. D18/50
D530,739 S * 10/2006 Tsai D18/55
7,306,386 B2 * 12/2007 Lyman et al. 400/692
7,500,732 B2 * 3/2009 James et al. 347/29
7,914,219 B2 * 3/2011 Harris 400/693
D641,039 S * 7/2011 Kimura et al. D18/55
D677,720 S * 3/2013 Tanaka et al. D18/55

* cited by examiner

Primary Examiner — Cathy A MacCormac

(57) **CLAIM**

The ornamental design for a printer, as shown and described.

DESCRIPTION

FIG. 1 is a front, top and right side perspective view of a printer showing our new design;
FIG. 2 is a rear, top and left side perspective view thereof;
FIG. 3 is a front view thereof;
FIG. 4 is a rear view thereof;
FIG. 5 is a top plan view thereof;
FIG. 6 is a bottom plan view thereof;
FIG. 7 is a right side elevational view thereof;
FIG. 8 is a left side elevational view thereof;
FIG. 9 is a front perspective view thereof showing a state in which a display is attached; and,
FIG. 10 is a rear perspective view thereof showing a state in which a display is attached.

The features shown in broken lines in the drawings depict environmental subject matter only and form no part of the claimed design.

1 Claim, 10 Drawing Sheets

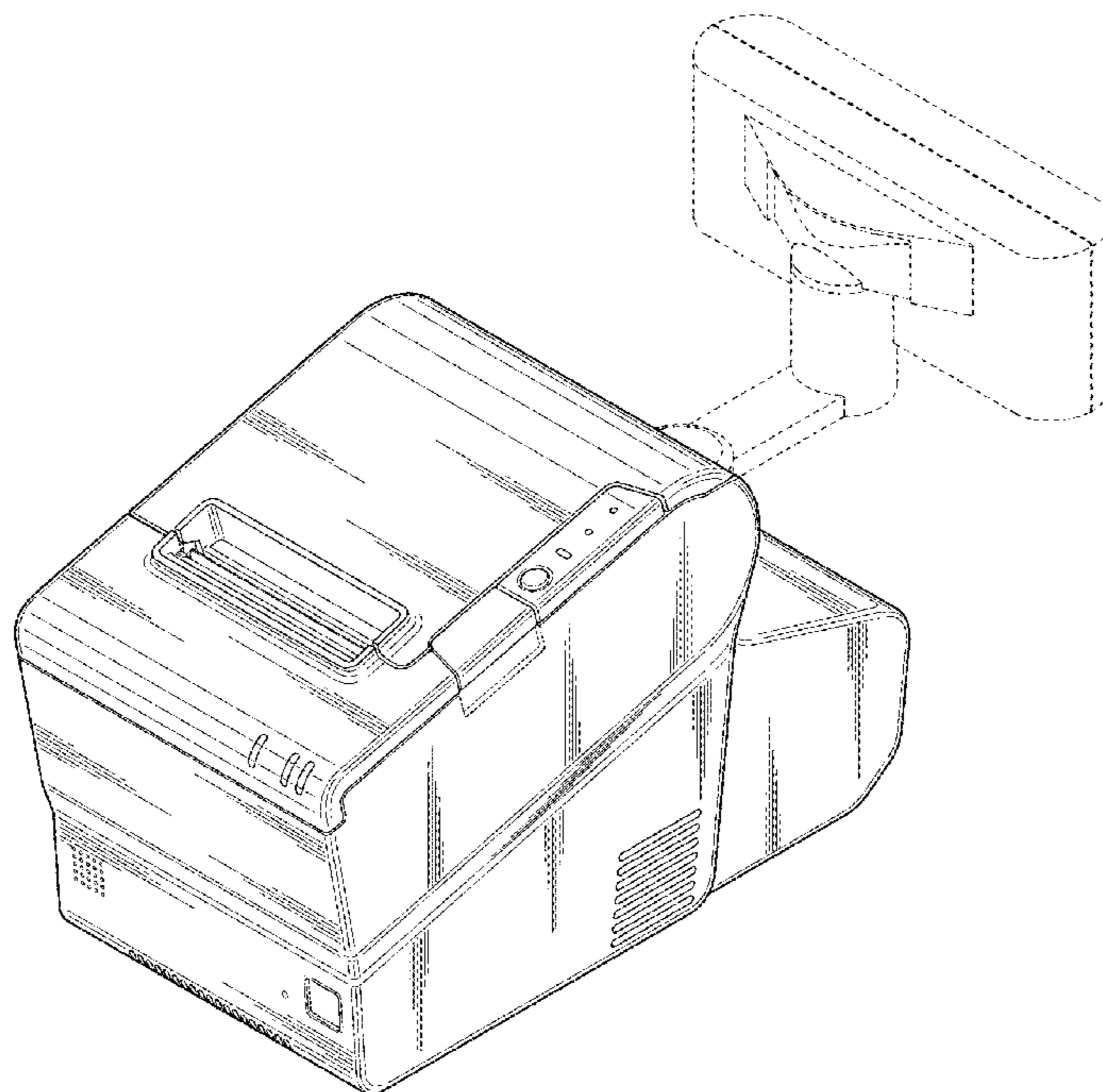


FIG. 1

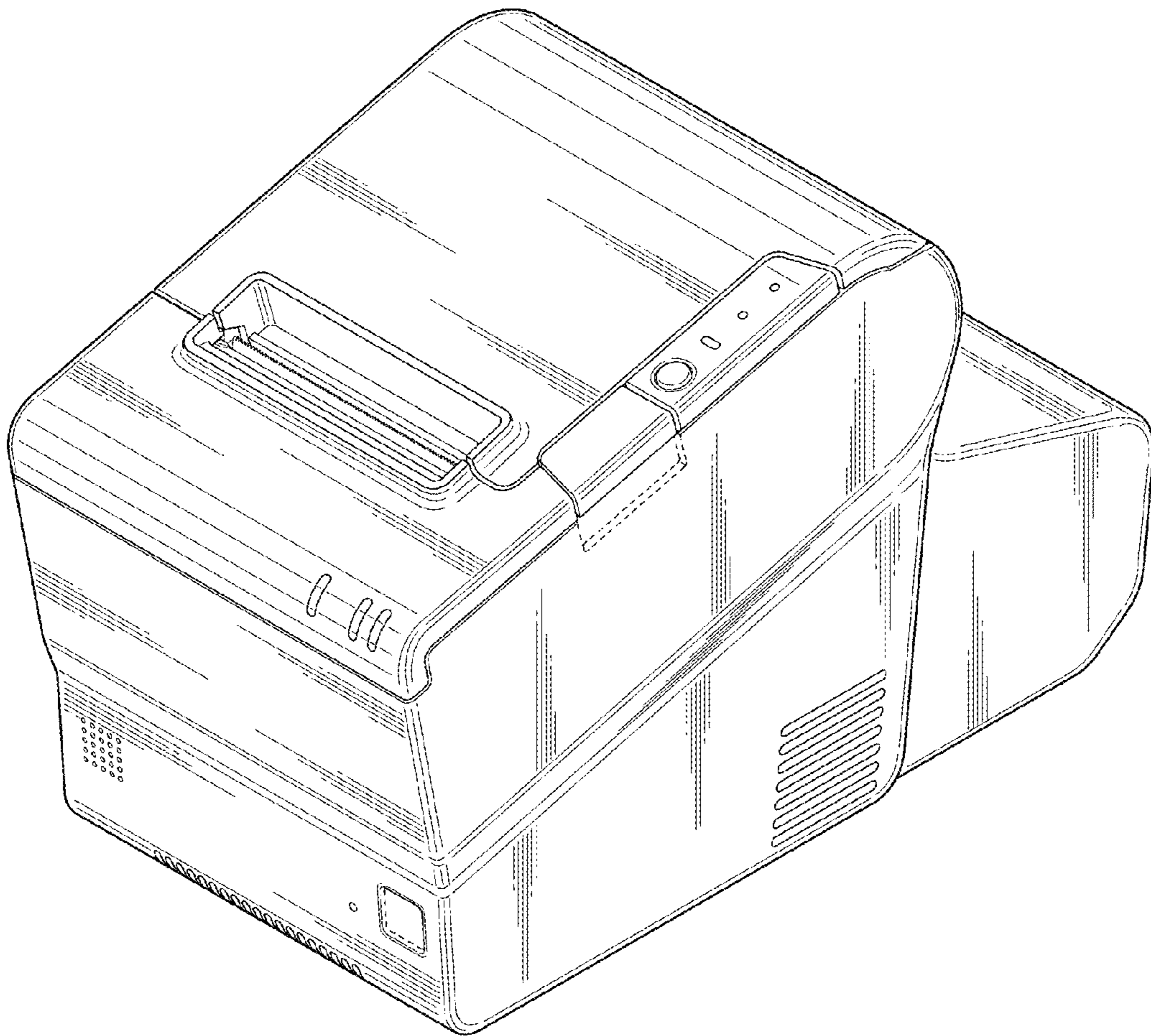


FIG. 2

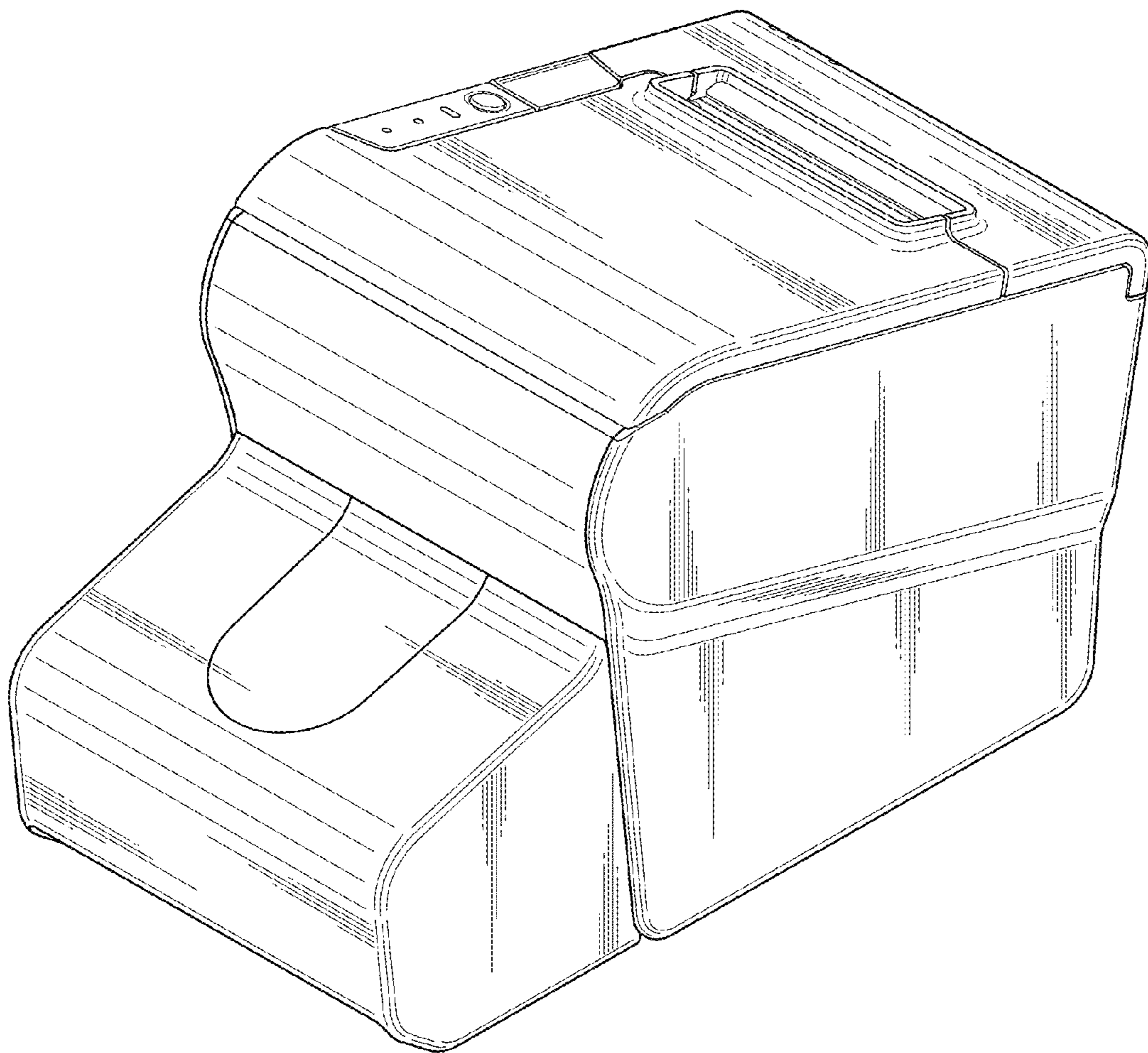


FIG. 3

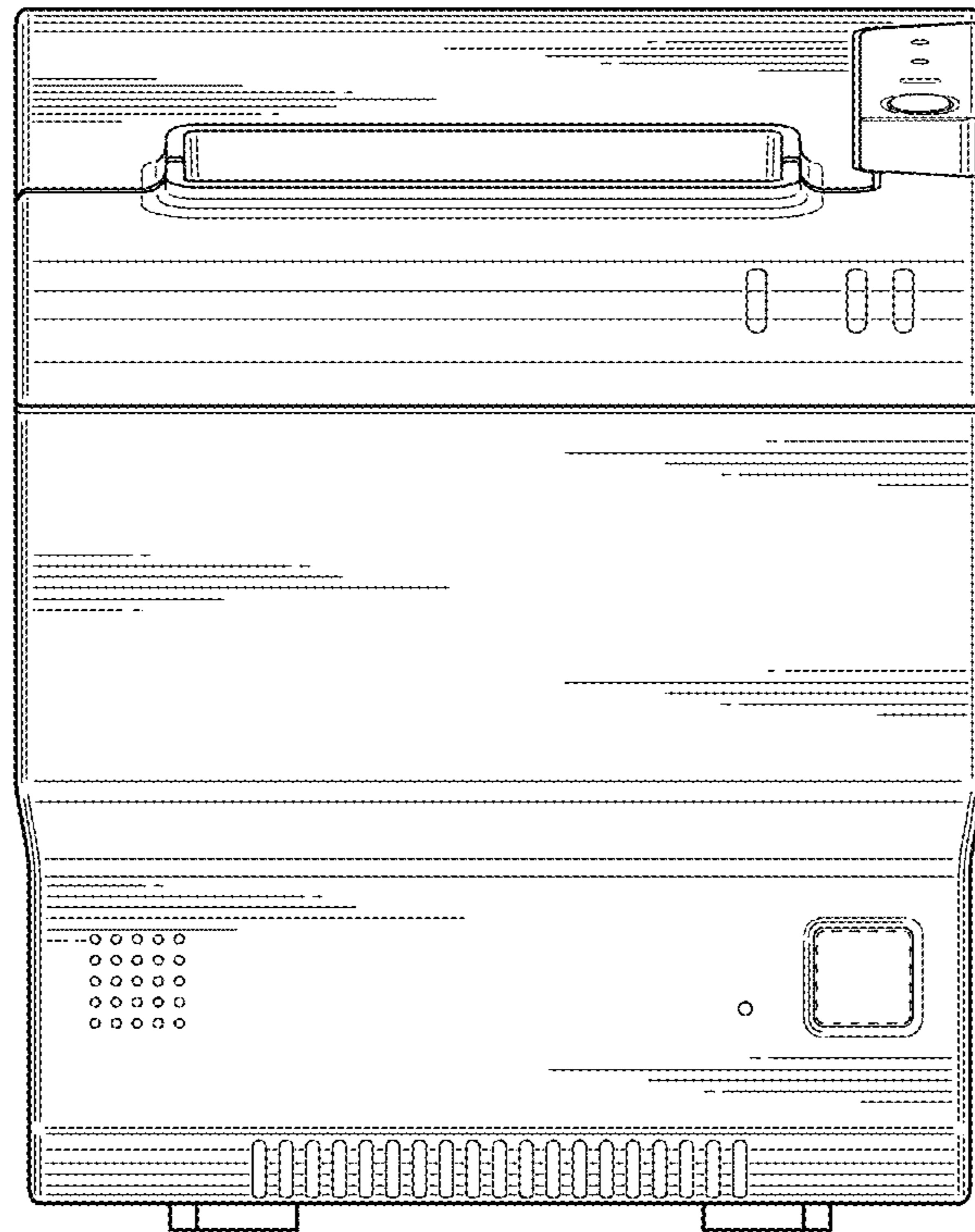


FIG. 4

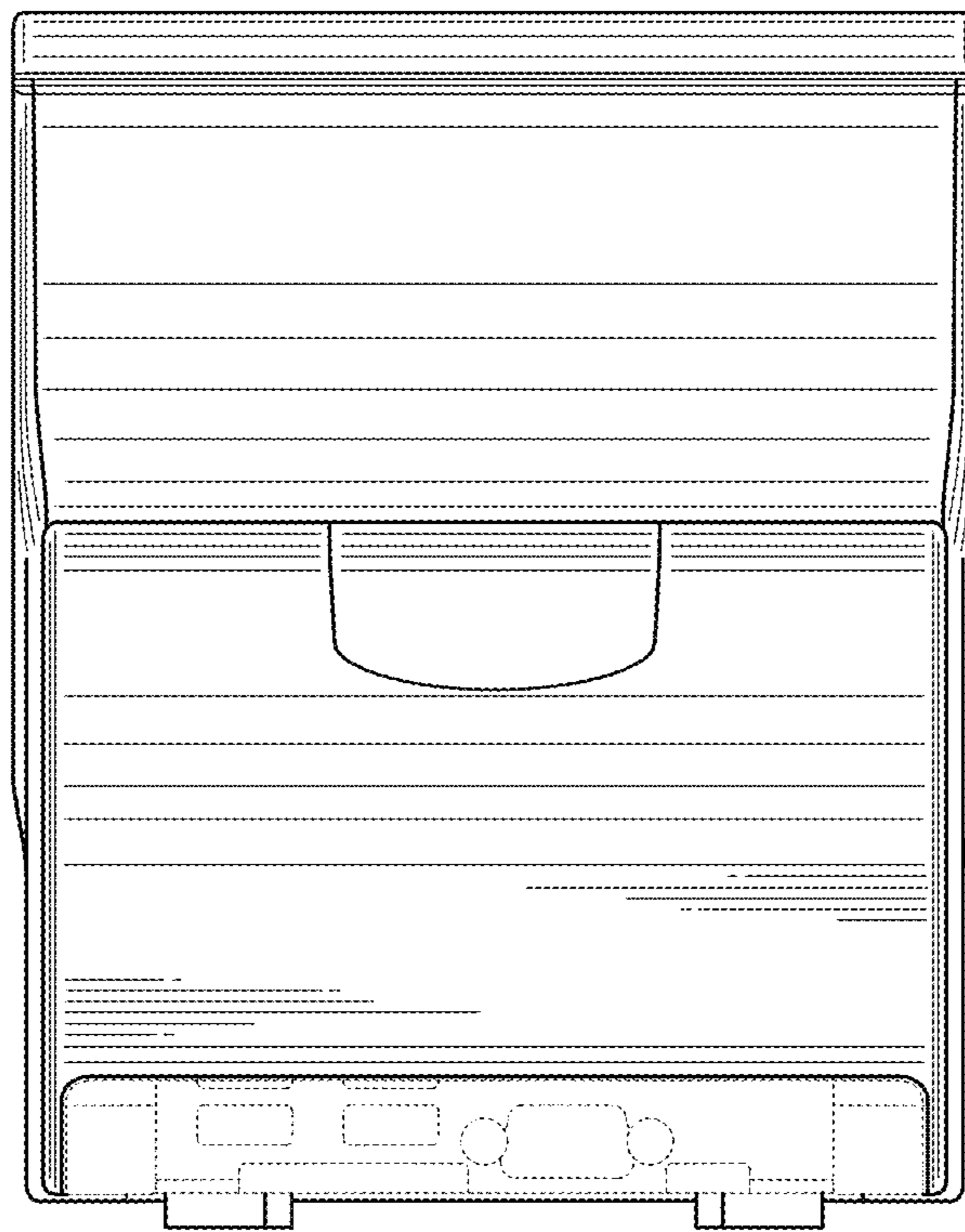


FIG. 5

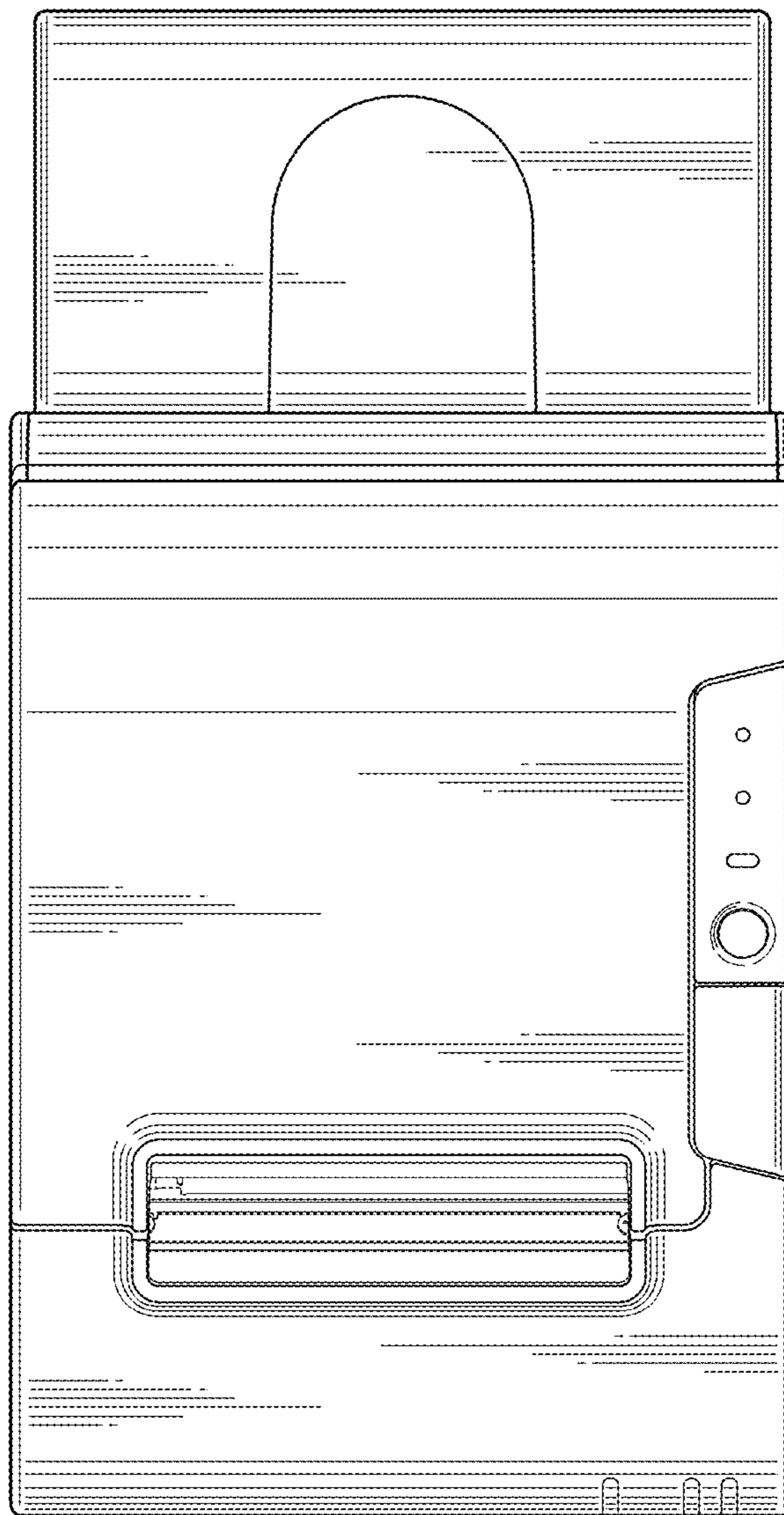


FIG. 6

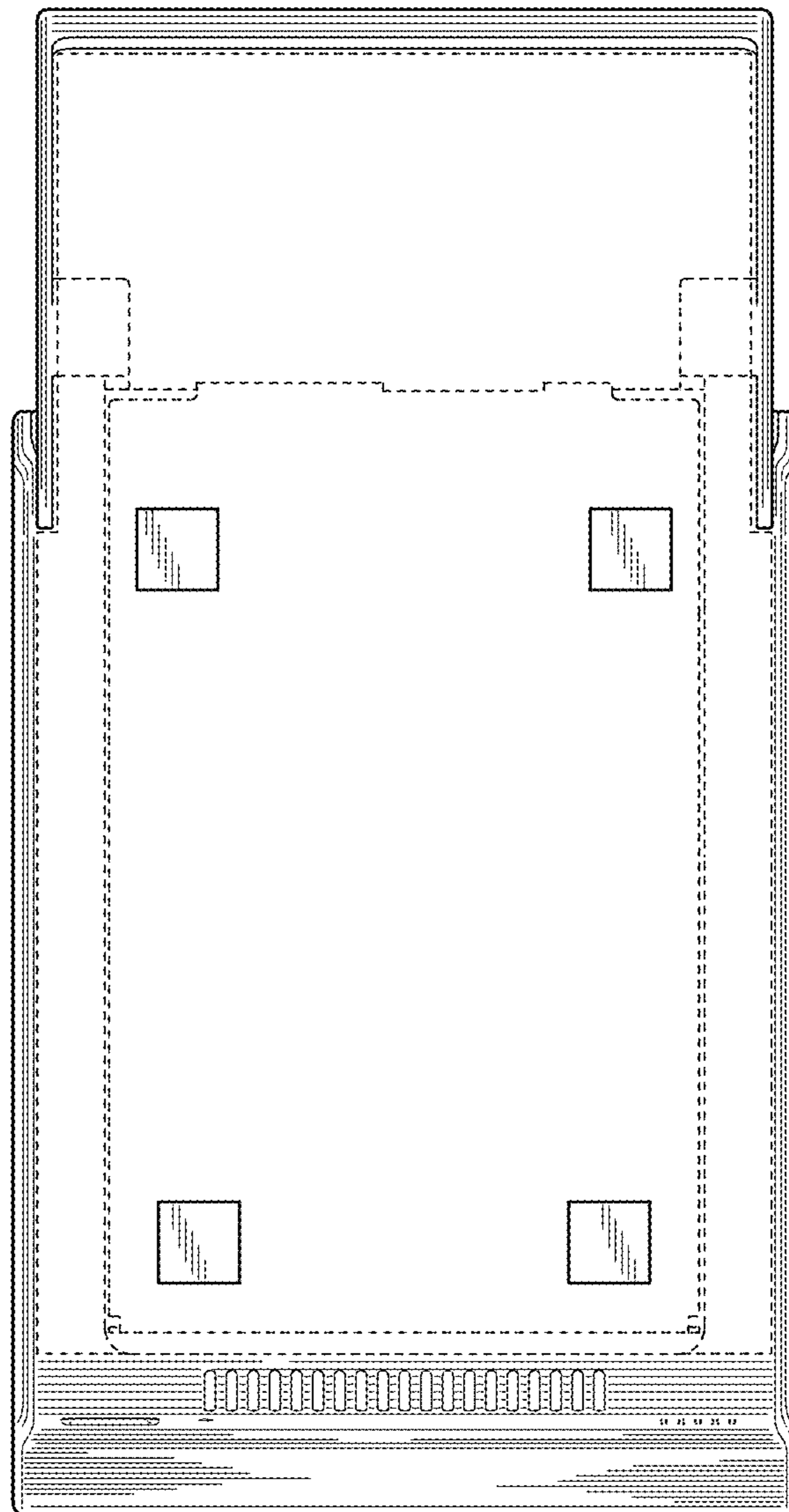


FIG. 7

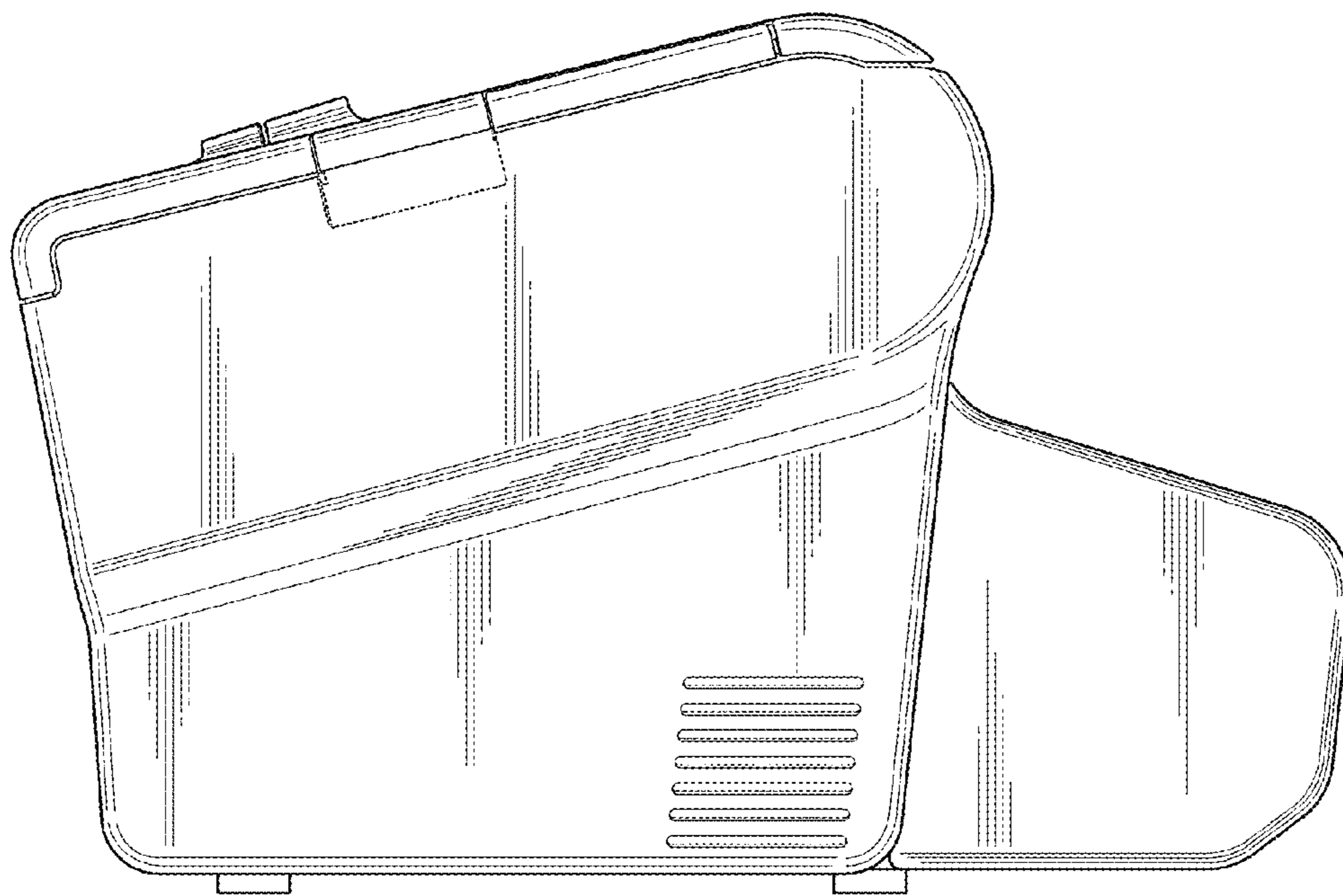
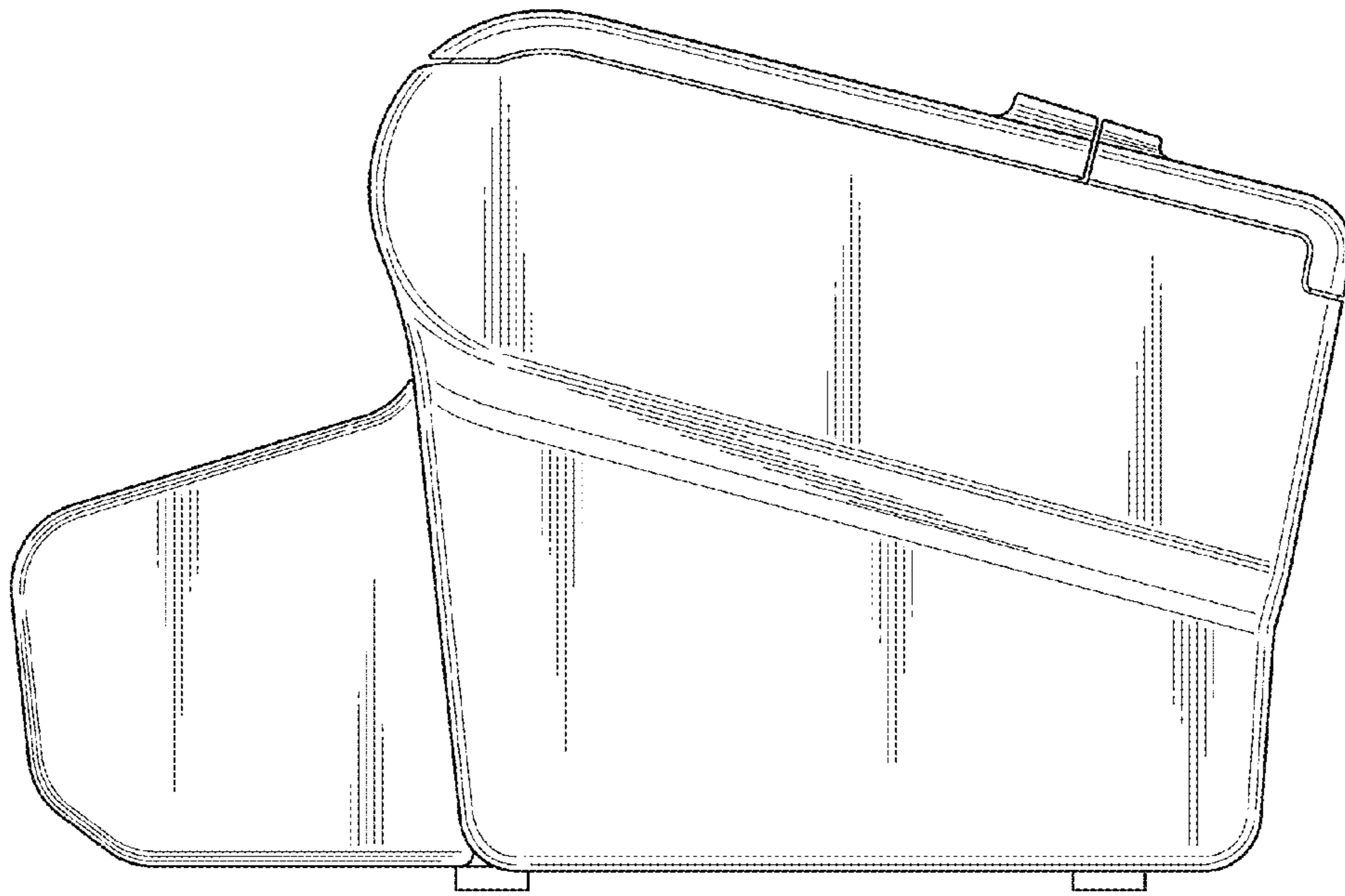


FIG. 8



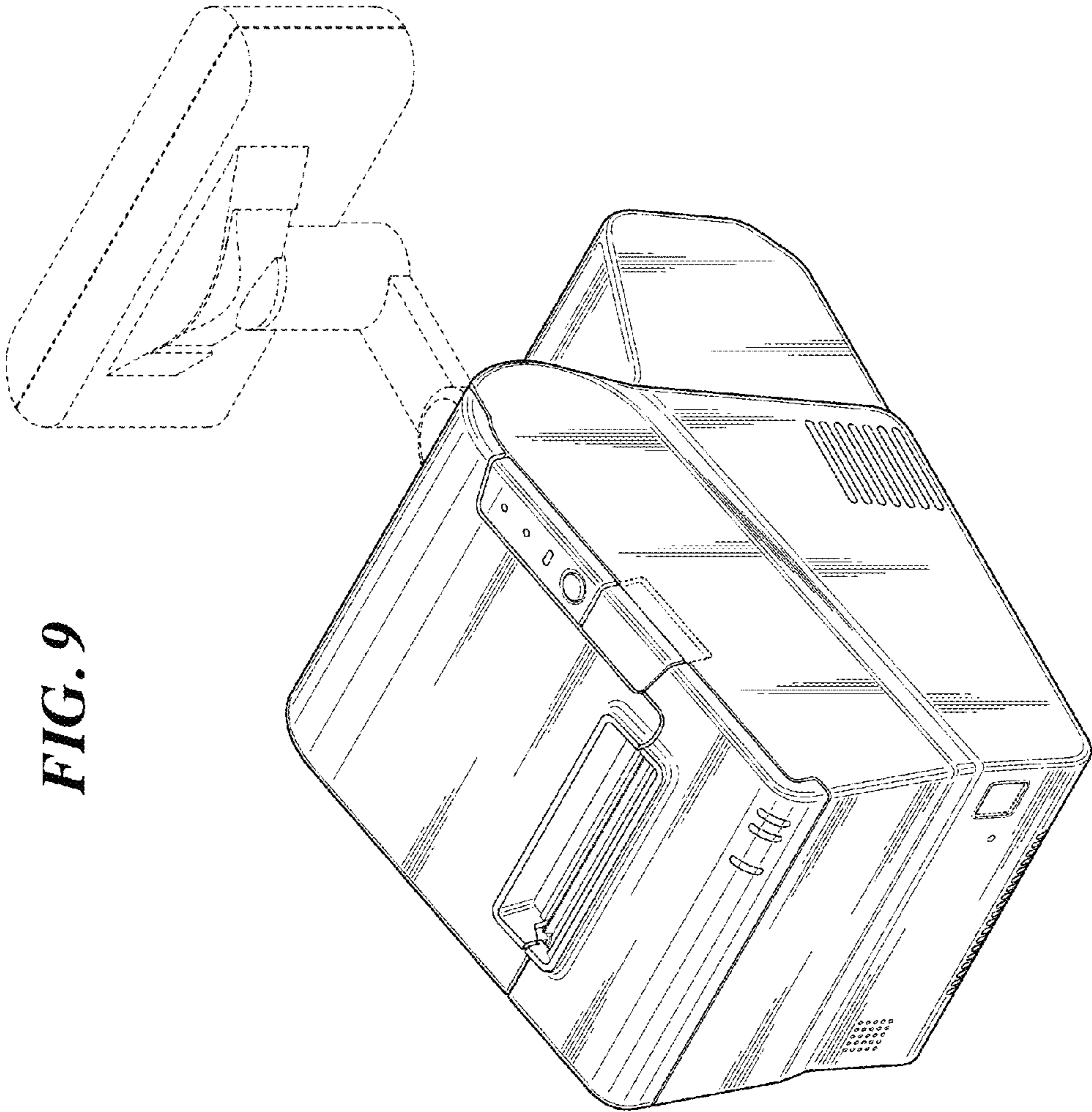


FIG. 9

FIG. 10

