



US00D706340S

(12) **United States Design Patent**  
**Lee et al.**

(10) **Patent No.:** **US D706,340 S**  
(45) **Date of Patent:** **\*\* Jun. 3, 2014**

(54) **ROTARY TORQUE TRANSFER UNIT**

FOREIGN PATENT DOCUMENTS

(71) Applicant: **Baiksan OPC Co., Ltd.**, Chungbuk-do (KR)

JP	10-153942	6/1998	.....	G03G 21/18
JP	2001-324909	11/2001	.....	G03G 21/18
KR	2003-0026641	4/2003	.....	G03G 15/00
WO	WO 2008/078836	7/2008	.....	G03G 21/18

(72) Inventors: **Bum Jin Lee**, Chungbuk (KR); **Chang Rae Seong**, Chungbuk (KR); **Jang Soon Park**, Gyeonggi-do (KR)

*Primary Examiner* — Elizabeth Albert

(74) *Attorney, Agent, or Firm* — Kusner & Jaffe

(73) Assignees: **Baiksan OPC Co., Ltd.**, Jinchun-Gun Chungbuk-Do (KR); **Jang Soon Park**, Gyeonggi-Do (KR)

(57) **CLAIM**

The ornamental design for a rotary torque transfer unit, as shown and described.

**DESCRIPTION**

(\*\*) Term: **14 Years**

(21) Appl. No.: **29/445,619**

(22) Filed: **Feb. 14, 2013**

(51) **LOC (10) Cl.** ..... **16-03**

(52) **U.S. Cl.**  
USPC ..... **D18/43**

(58) **Field of Classification Search**  
USPC ..... D14/471; D18/12, 36, 40, 43, 44, 56;  
222/DIG. 1; 347/197, 222; 399/24-28,  
399/107-112, 119, 121, 122, 167, 222-224  
See application file for complete search history.

(56) **References Cited**

U.S. PATENT DOCUMENTS

D267,254 S	12/1982	Jolliffe	.....	D18/12
D268,846 S	5/1983	Jolliffe	.....	D18/12
5,903,803 A	5/1999	Kawai et al.	.....	399/116
6,006,058 A	12/1999	Watanabe et al.	.....	399/167
6,029,032 A	2/2000	Watanabe et al.	.....	399/111
D432,916 S	10/2000	Drinkwater et al.	.....	D18/43
6,169,866 B1	1/2001	Watanabe et al.	.....	399/111
6,324,363 B1	11/2001	Watanabe et al.	.....	399/111
6,330,409 B1	12/2001	Watanabe et al.	.....	399/111
6,336,018 B1	1/2002	Kawai et al.	.....	399/117

(Continued)

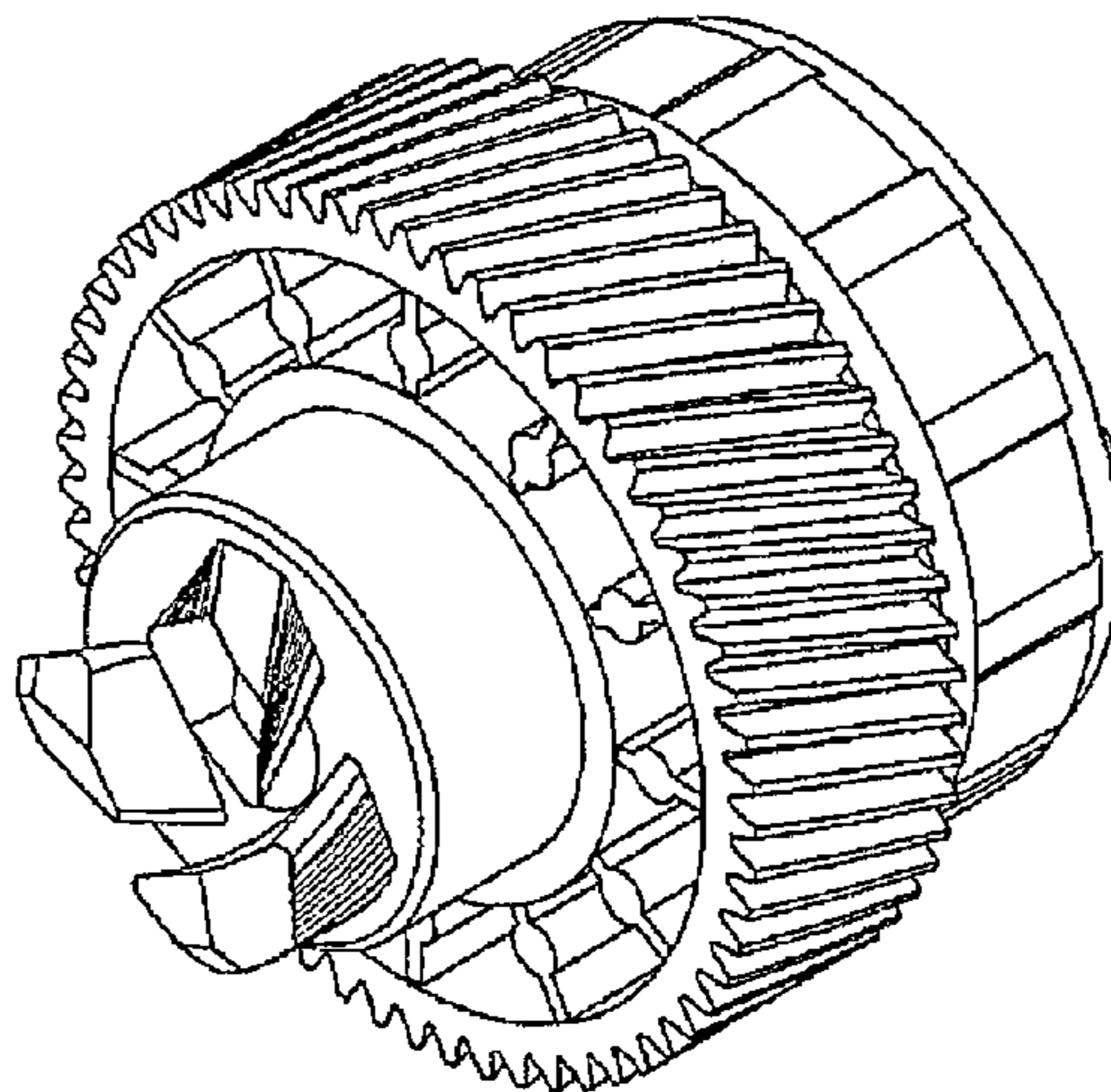
FIG. 1 is a perspective view of a rotary torque transfer unit showing our new design;  
FIG. 2 is a front view thereof;  
FIG. 3 is a back view thereof;  
FIG. 4 is a left side view thereof;  
FIG. 5 is a right side view thereof;  
FIG. 6 is a top view thereof;  
FIG. 7 is a bottom view thereof;  
FIG. 8 is a perspective view of the back end thereof;  
FIG. 9 is an enlarged perspective view of the front end portion thereof;  
FIG. 10 is an enlarged cross-section view thereof, taken along line 10-10 of FIG. 9;  
FIG. 11 is an enlarged cross-section view thereof, taken along line 11-11 of FIG. 9; and,  
FIG. 12 is a perspective view thereof, shown aligned for connection with a gear element.

The broken lines in FIGS. 2 and 3 are included to show portions of the rotary torque transfer unit which form no part of the claimed design.

The broken lines in FIG. 9 show the detailed view and form no part of the claimed design.

The broken lines in FIG. 12 show the environment for the rotary torque transfer unit and form no part of the claimed design.

**1 Claim, 6 Drawing Sheets**



(56)

**References Cited**

U.S. PATENT DOCUMENTS

6,892,042 B2	5/2005	Jang et al. ....	399/167	D678,400 S *	3/2013	Huck et al. ....	D18/43
D537,472 S	2/2007	Amano .....	D18/43	D678,401 S *	3/2013	Huck et al. ....	D18/43
D618,720 S	6/2010	Wasai .....	D18/43	D678,939 S *	3/2013	Huck et al. ....	D18/43
D618,721 S	6/2010	Wasai .....	D18/43	D678,940 S *	3/2013	Huck et al. ....	D18/43
7,747,189 B2	6/2010	Shanun et al. ....	399/109	D679,751 S *	4/2013	Huck et al. ....	D18/43
D620,522 S	7/2010	Amano .....	D18/43	D680,159 S *	4/2013	Huck et al. ....	D18/43
D667,049 S	9/2012	Park et al. ....	8/43	2002/0034398 A1	3/2002	Higeta et al. ....	399/109
D677,718 S *	3/2013	Huck et al. ....	D18/43	2007/0036586 A1	2/2007	Funamoto .....	399/122
D678,398 S *	3/2013	Huck et al. ....	D18/43	2007/0253734 A1	11/2007	Shin .....	399/159
D678,399 S *	3/2013	Huck et al. ....	D18/43	2008/0152388 A1	6/2008	Ueno et al. ....	399/167
				2010/0196047 A1	8/2010	Jin .....	399/111
				2013/0058681 A1 *	3/2013	Lee et al. ....	399/111

\* cited by examiner

FIG. 1

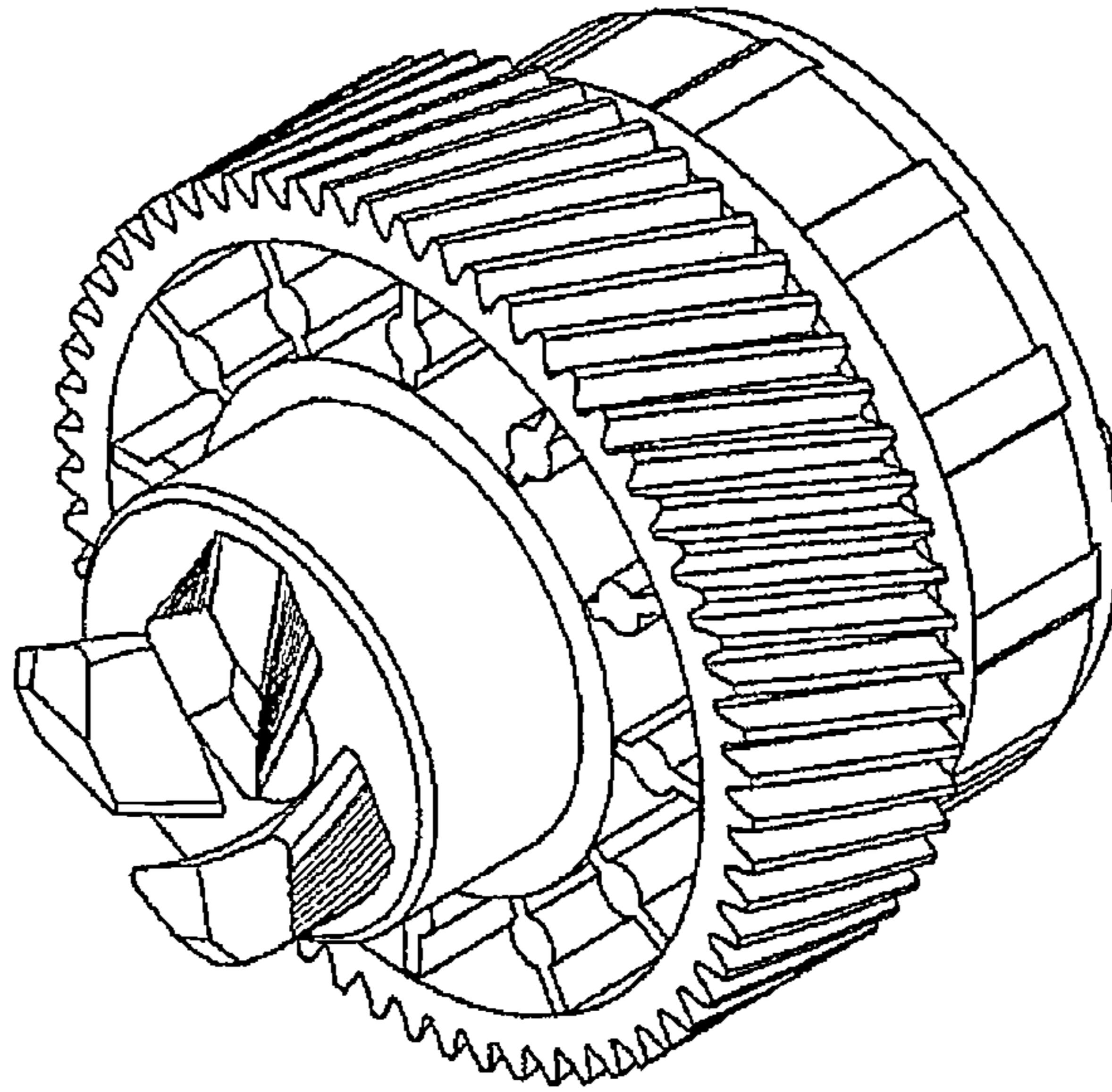


FIG. 2

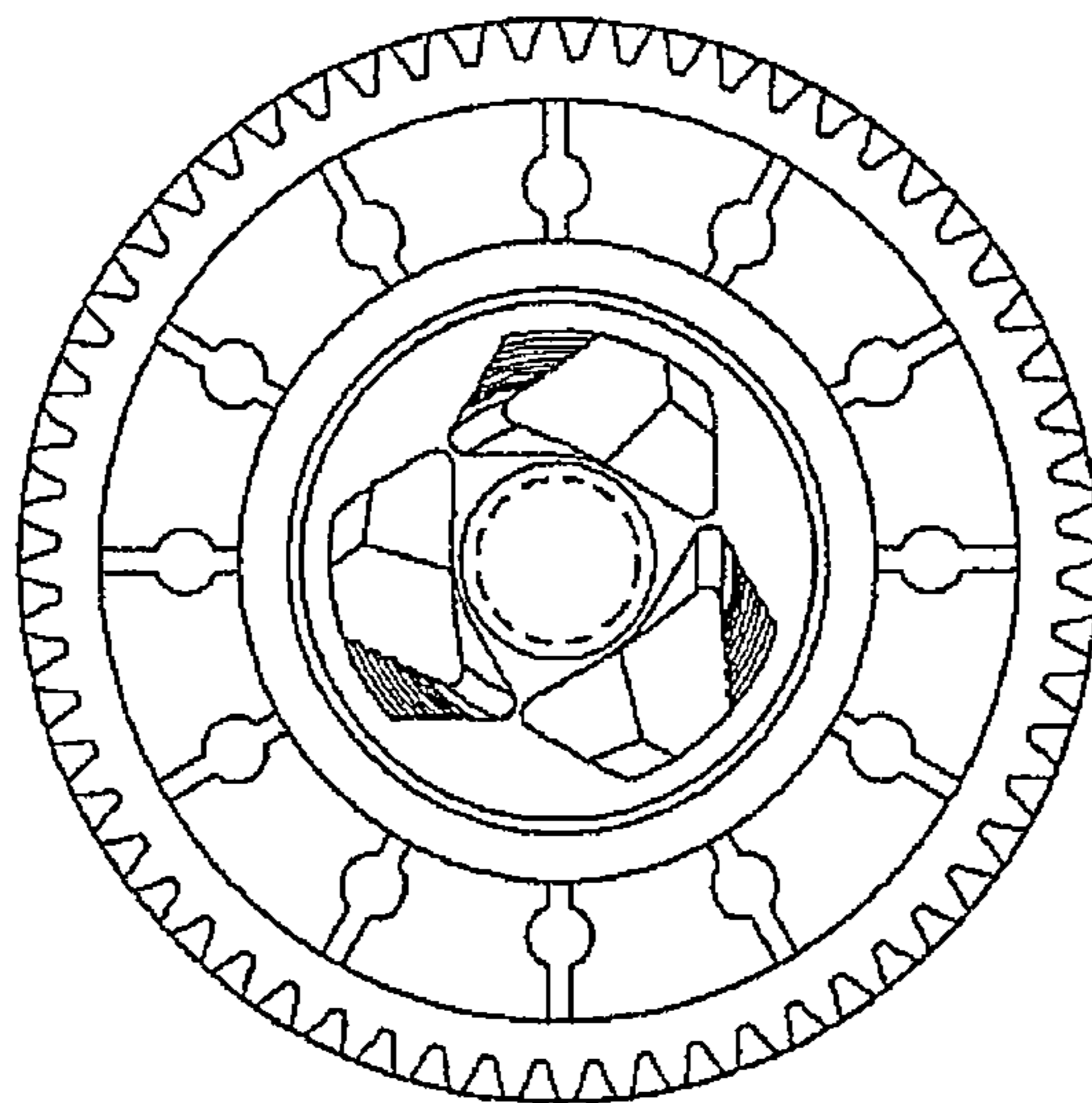


FIG. 3

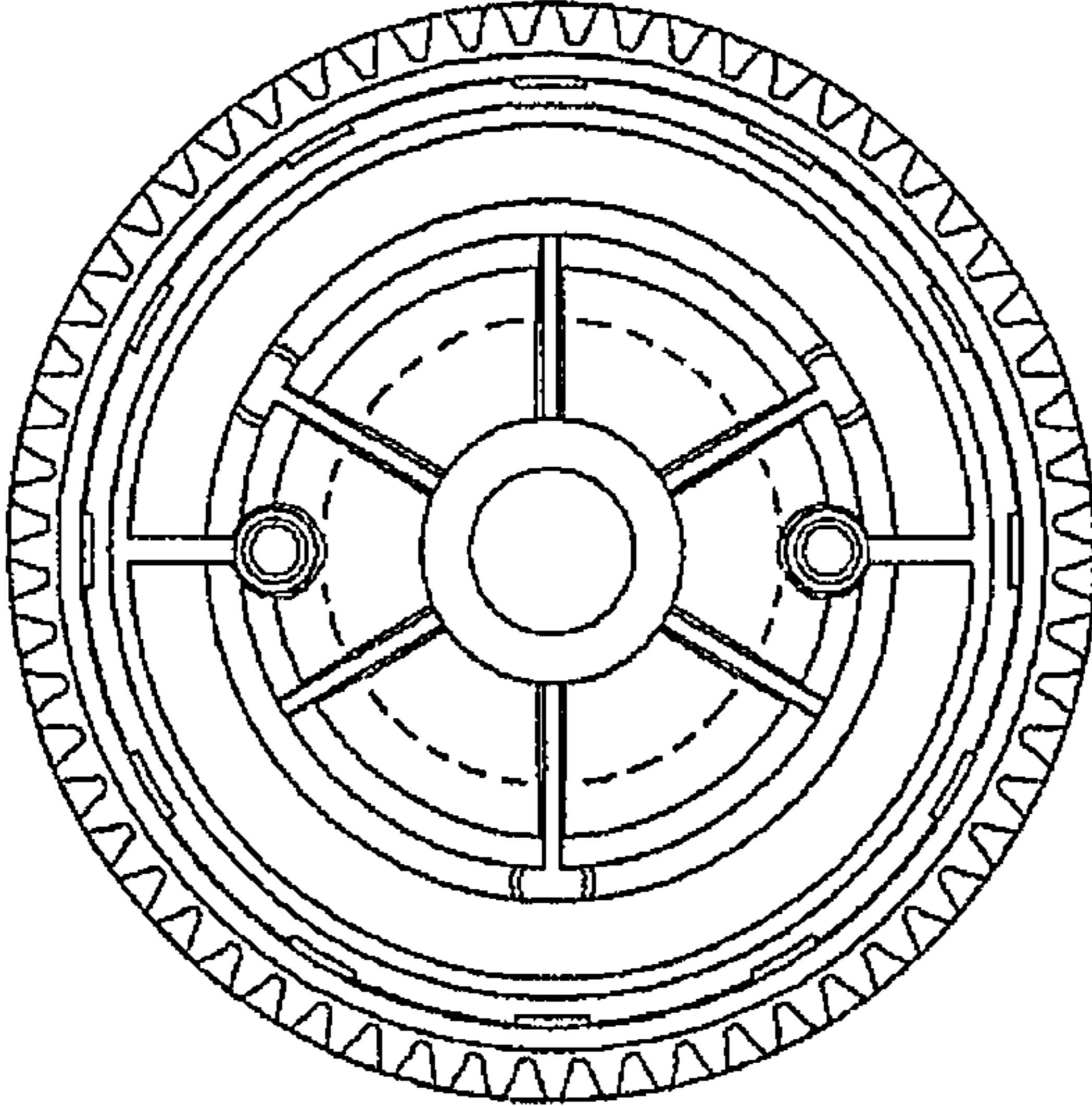


FIG. 4

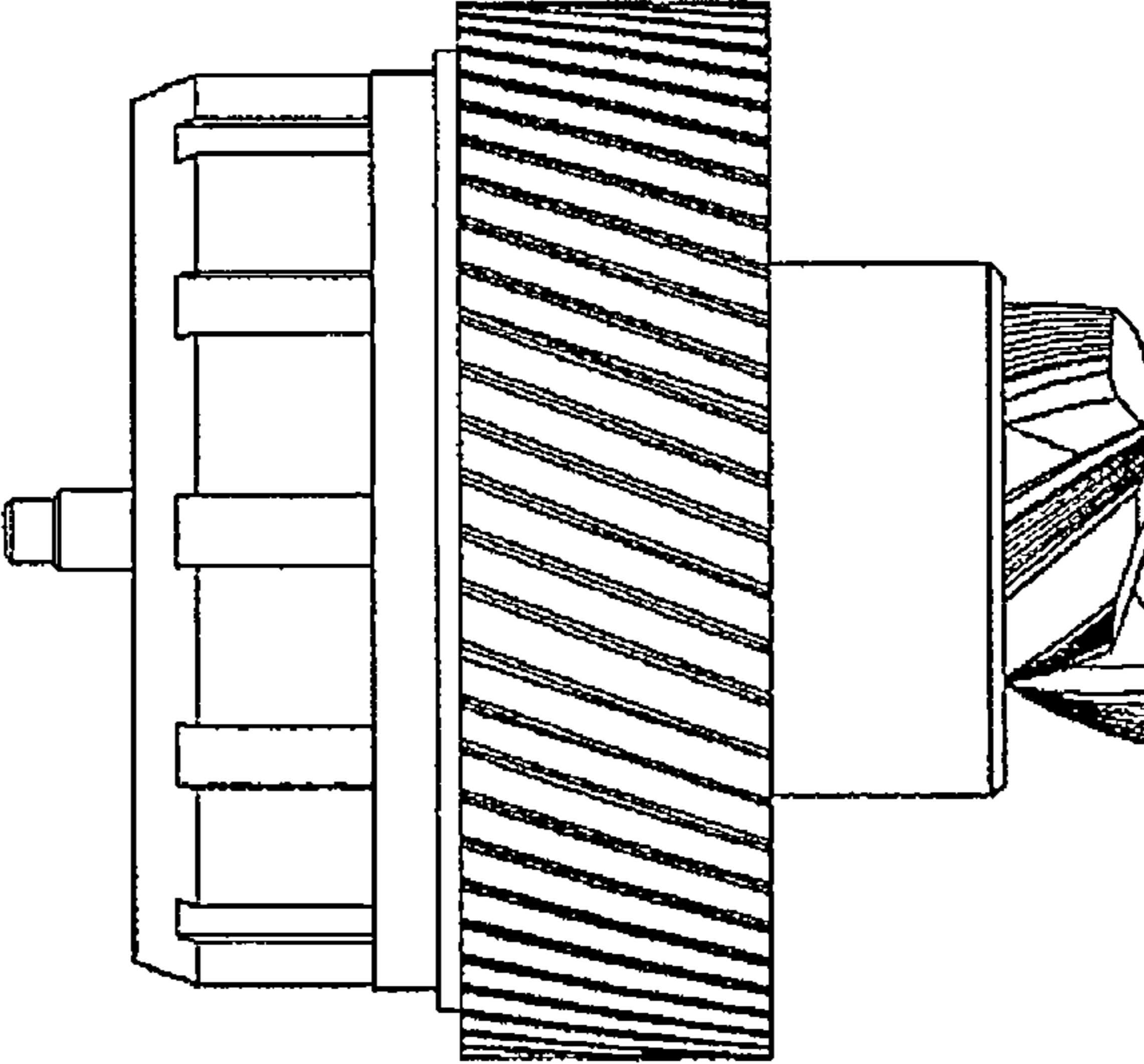


FIG. 5

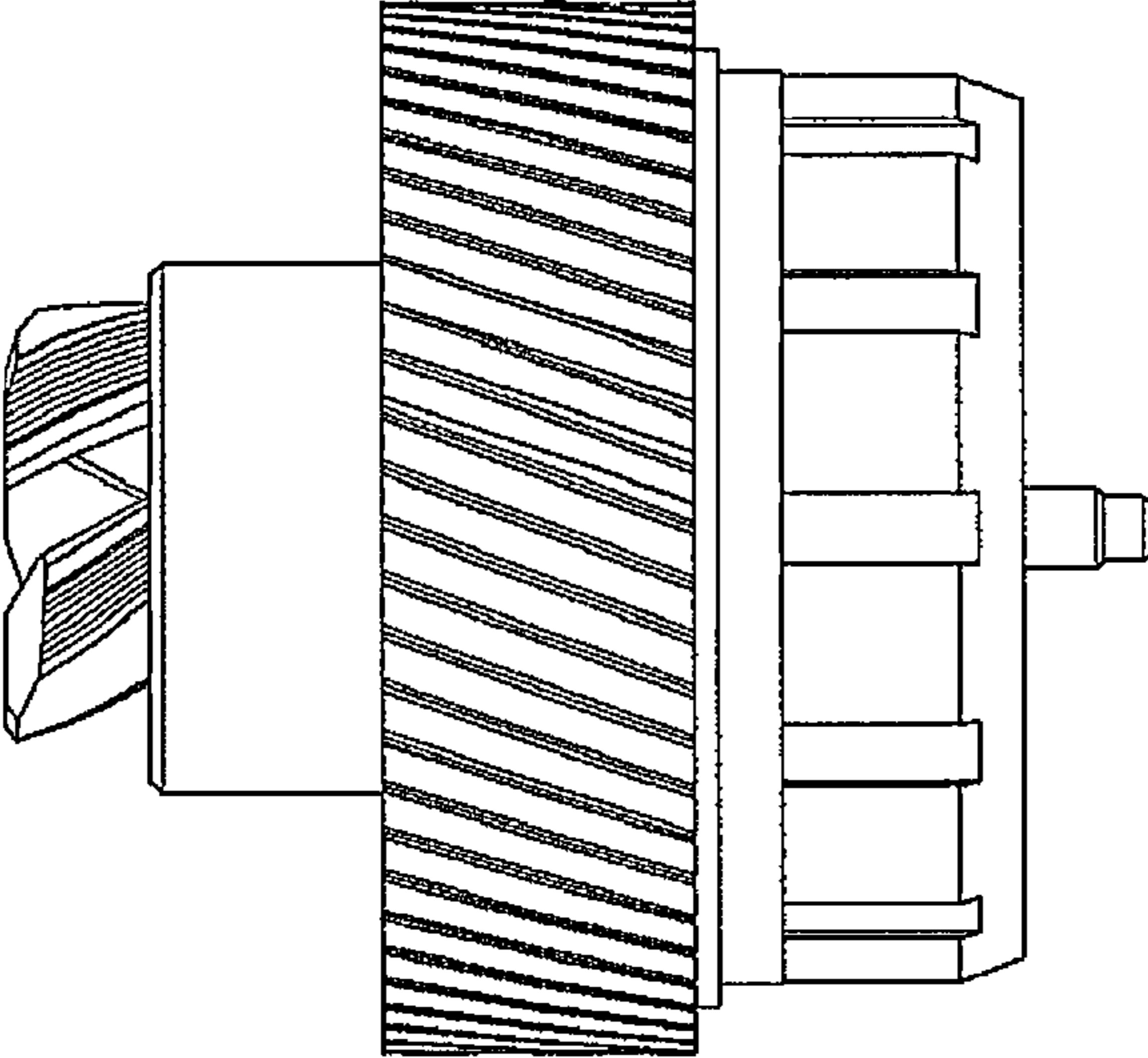


FIG. 6

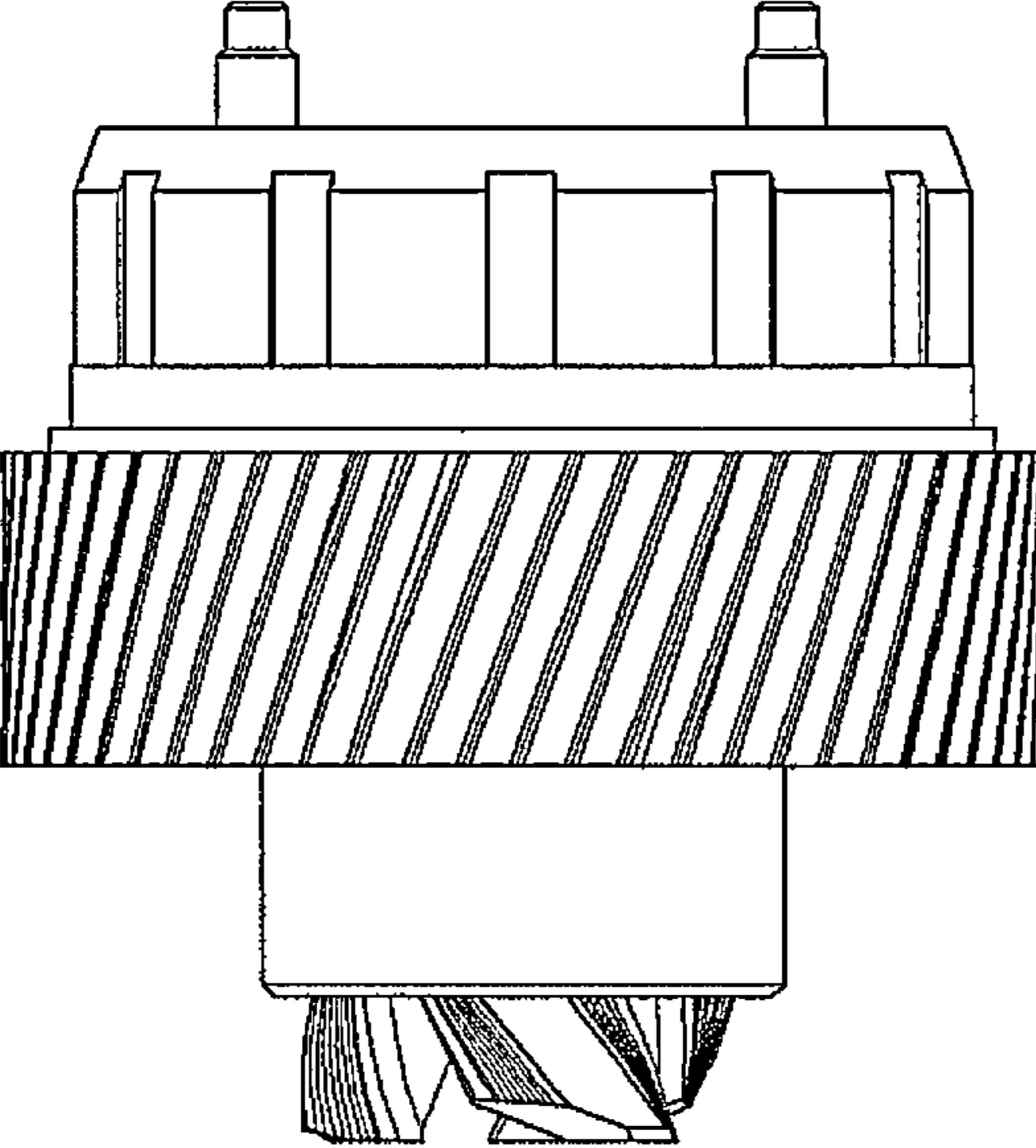


FIG. 7

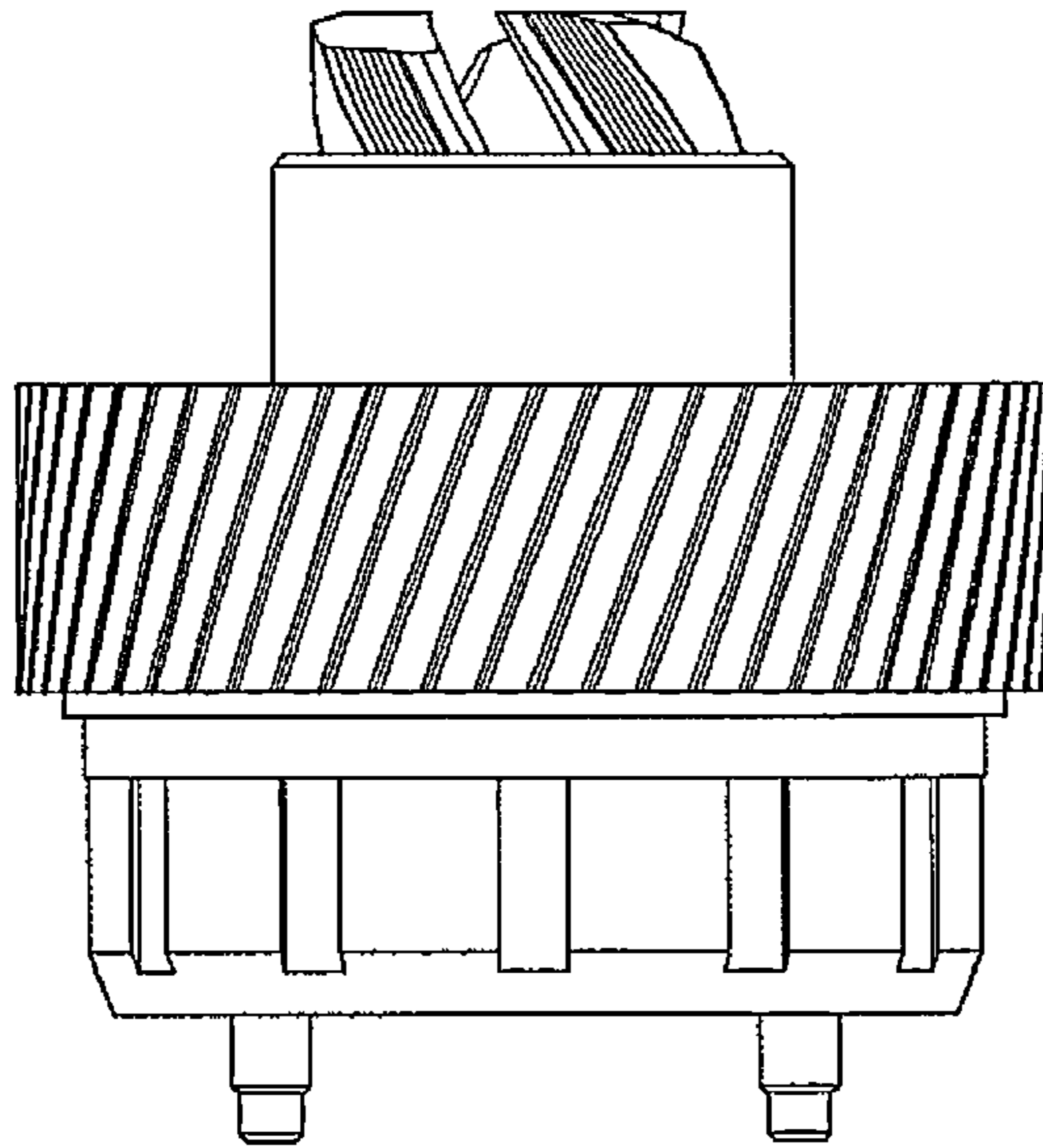


FIG. 8

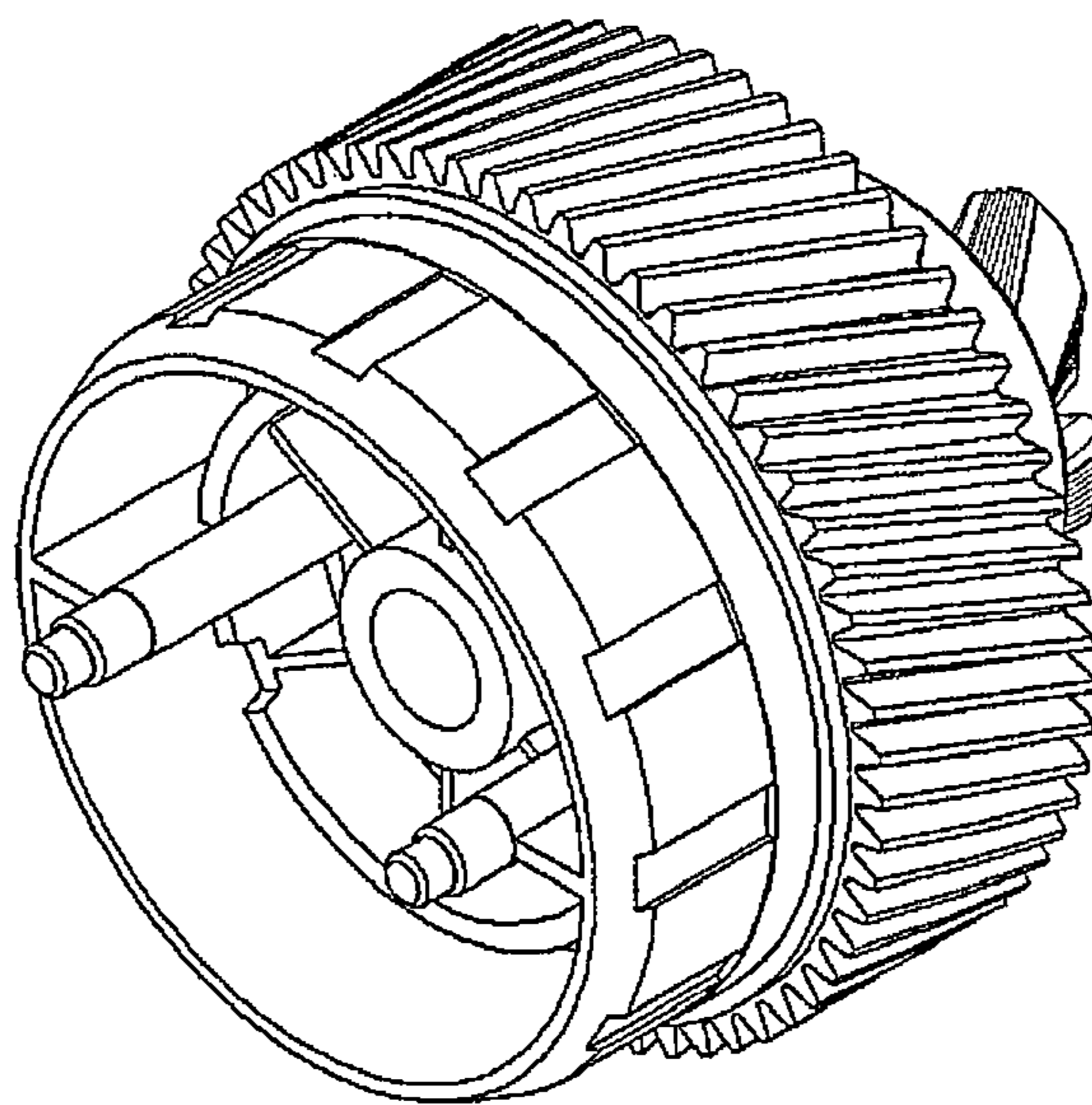


FIG. 9

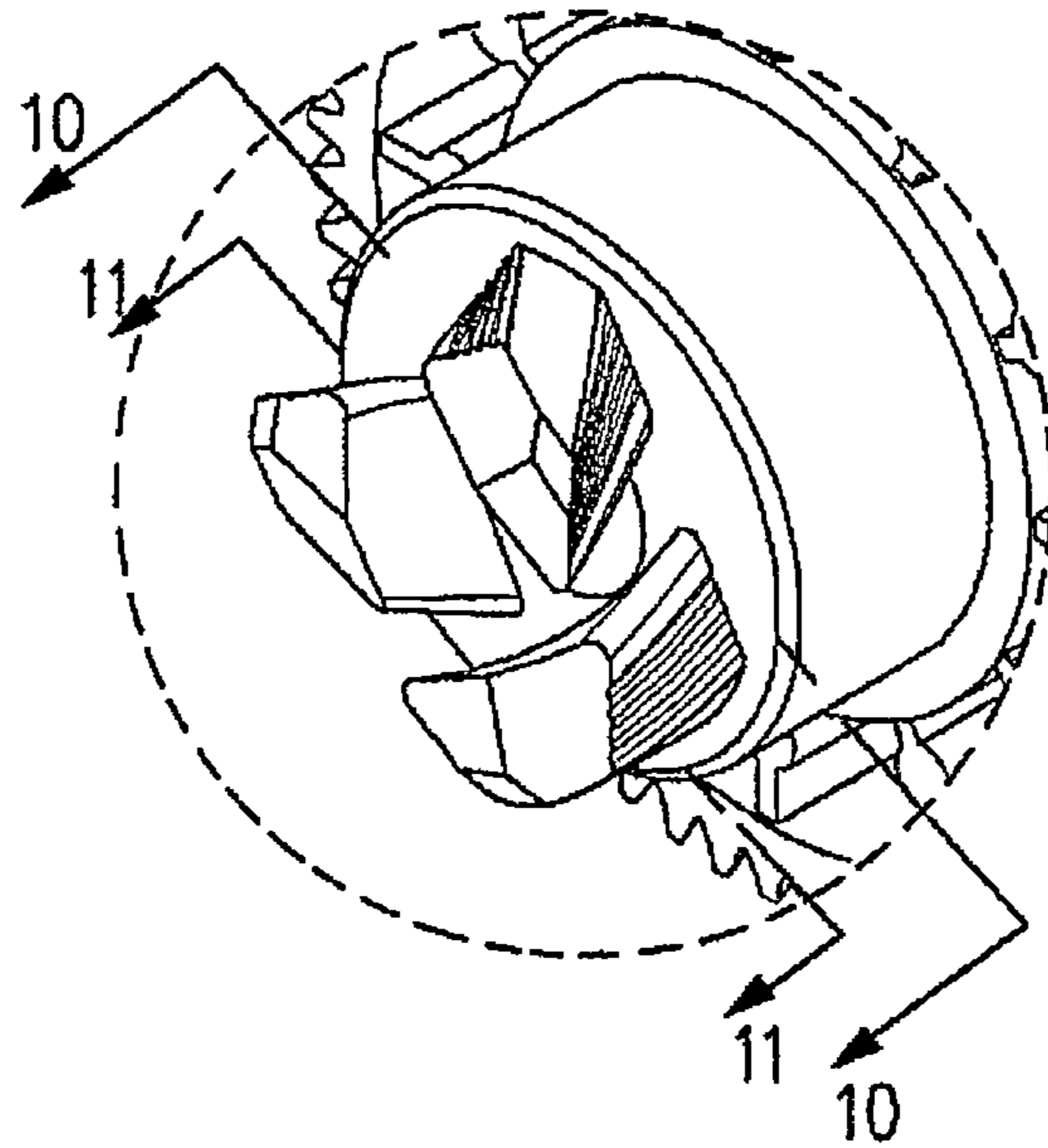


FIG. 10

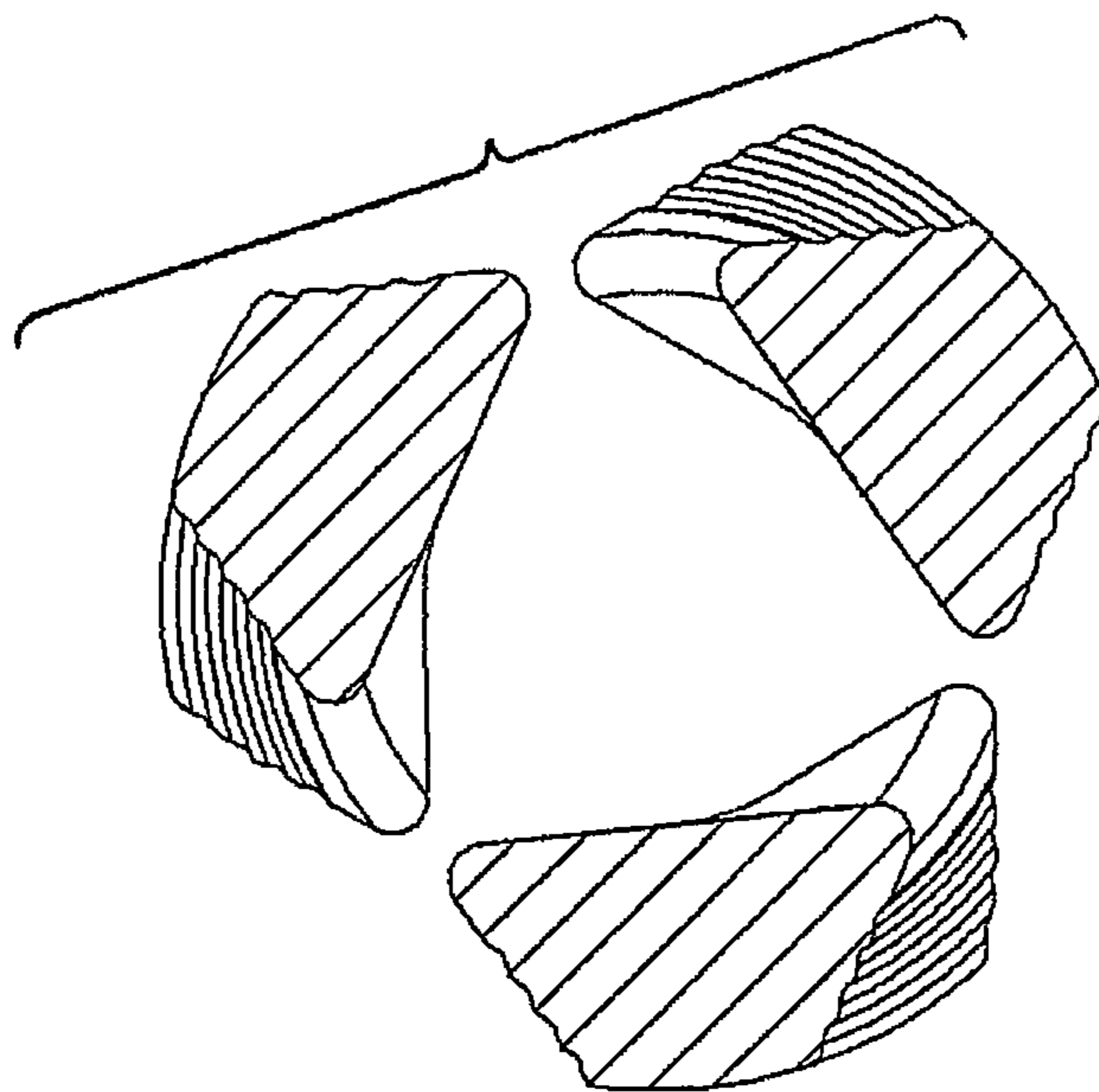


FIG. 11

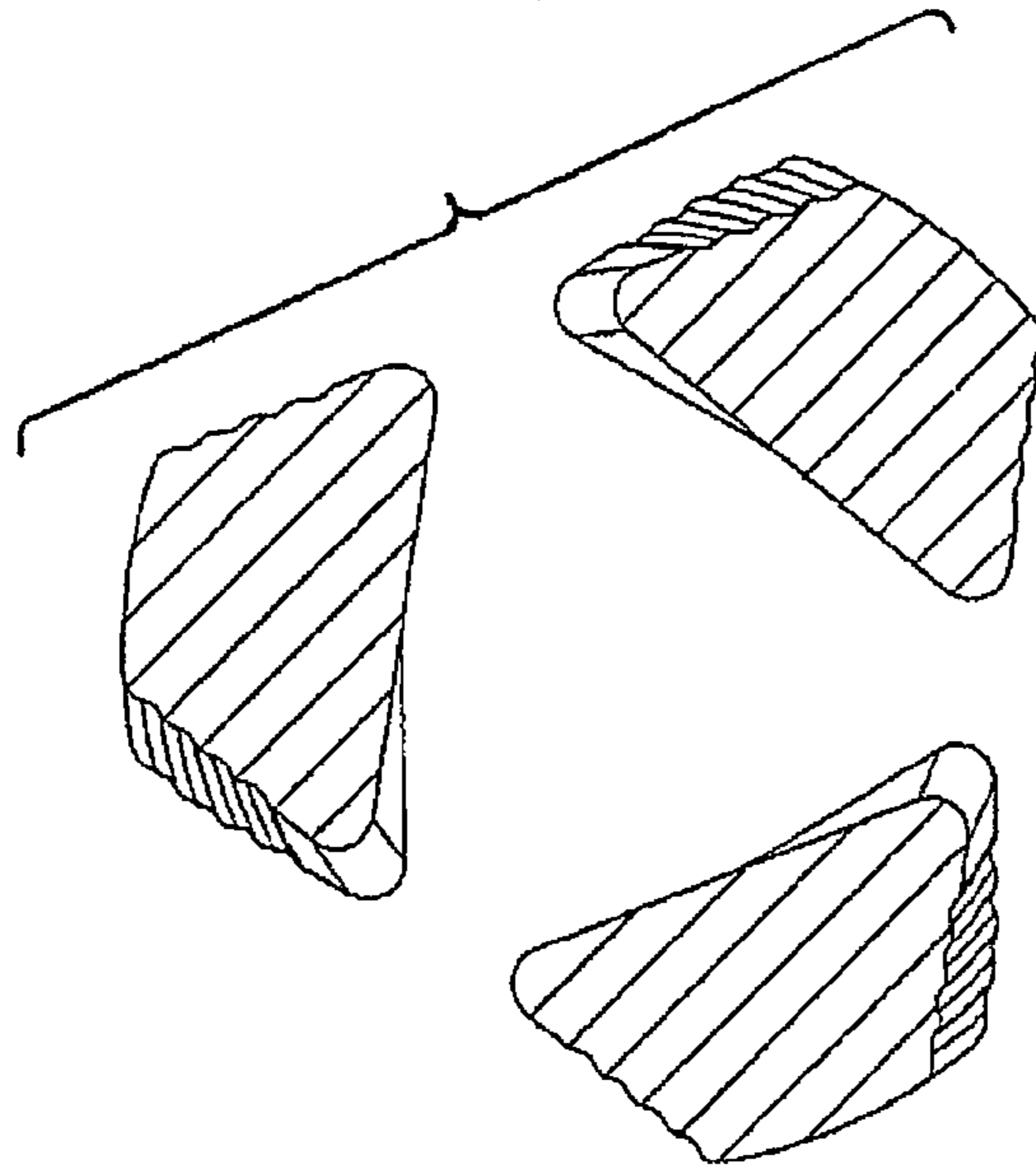
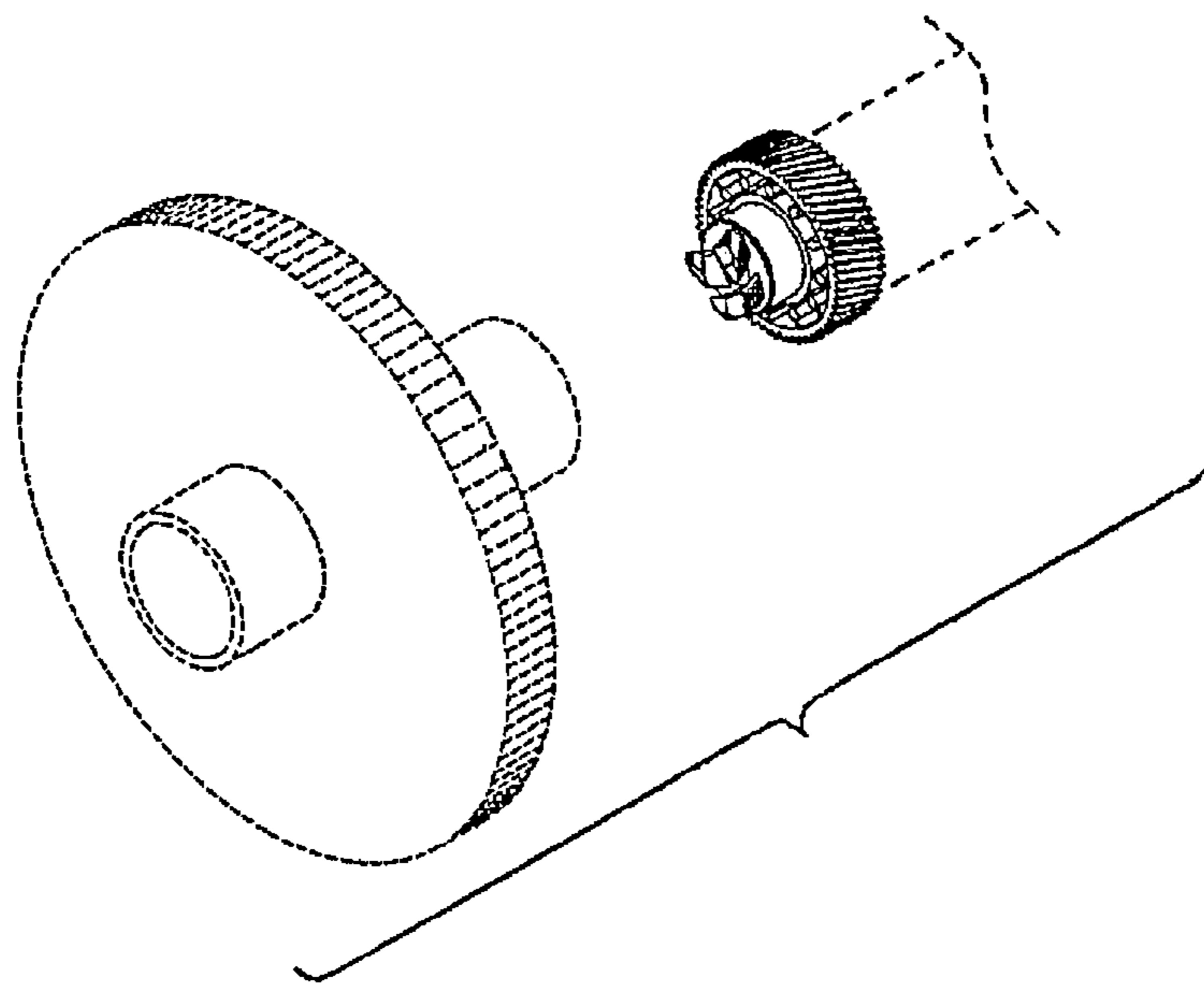


FIG. 12





UNITED STATES PATENT AND TRADEMARK OFFICE  
**CERTIFICATE OF CORRECTION**

PATENT NO. : D706,340 S  
APPLICATION NO. : 29/445619  
DATED : June 3, 2014  
INVENTOR(S) : Lee et al.

Page 1 of 1

It is certified that error appears in the above-identified patent and that said Letters Patent is hereby corrected as shown below:

On the Title Page, Item (71), Line 1, Applicant, replace “Baiksan OPC Co., Ltd., Chungbuk-do (KR)”  
with

--Baiksan OPC Co., Ltd., Chungbuk-do (KR)--  
--Jang Soon Park, Gyeonggi-do (KR)--.

Signed and Sealed this  
Fifth Day of August, 2014



Michelle K. Lee  
*Deputy Director of the United States Patent and Trademark Office*