



US00D706339S

(12) **United States Design Patent**  
**Choi et al.**

(10) **Patent No.:** **US D706,339 S**  
(45) **Date of Patent:** **\*\* Jun. 3, 2014**

(54) **DEVELOPING DEVICE FOR A PRINTER**

(75) Inventors: **Woong-Yong Choi**, Kyunggi-do (KR);  
**Jong-Uk Kim**, Kyunggi-do (KR);  
**Jong-Hwa Joo**, Seoul (KR)

(73) Assignee: **Samsung Electronics Co., Ltd.**, Suwon,  
Kyunggi-do (KR)

(\*\*) Term: **14 Years**

(21) Appl. No.: **29/418,452**

(22) Filed: **Apr. 17, 2012**

(30) **Foreign Application Priority Data**

Nov. 23, 2011 (KR) ..... 30-2011-0049415

(51) **LOC (10) Cl.** ..... **16-03**

(52) **U.S. Cl.**  
USPC ..... **D18/43**

(58) **Field of Classification Search**  
USPC ..... D14/471; D18/12, 36, 40, 43, 44, 56;  
222/DIG. 1; 347/197, 222; 399/24-28,  
399/107-112, 119, 121, 122, 222-224  
See application file for complete search history.

(56) **References Cited**

**U.S. PATENT DOCUMENTS**

D350,975 S \* 9/1994 Mizuta ..... D18/43  
D471,203 S \* 3/2003 Miyaoka ..... D14/471  
D479,263 S \* 9/2003 Batori et al. .... D18/40

D489,753 S \* 5/2004 Batori et al. .... D18/40  
D508,074 S \* 8/2005 Batori et al. .... D18/40  
D519,150 S \* 4/2006 Kojima et al. .... D18/40  
D546,382 S \* 7/2007 Noh et al. .... D18/43  
D586,847 S \* 2/2009 Han ..... D18/43  
D597,592 S \* 8/2009 Kim ..... D18/43  
D647,956 S 11/2011 Kweon et al.  
D662,129 S \* 6/2012 Zeng et al. .... D18/43  
2013/0195530 A1 \* 8/2013 Kim et al. .... 399/360

\* cited by examiner

*Primary Examiner* — Elizabeth Albert

(74) *Attorney, Agent, or Firm* — Flynn, Thiel, Boutell &  
Tanis, P.C.

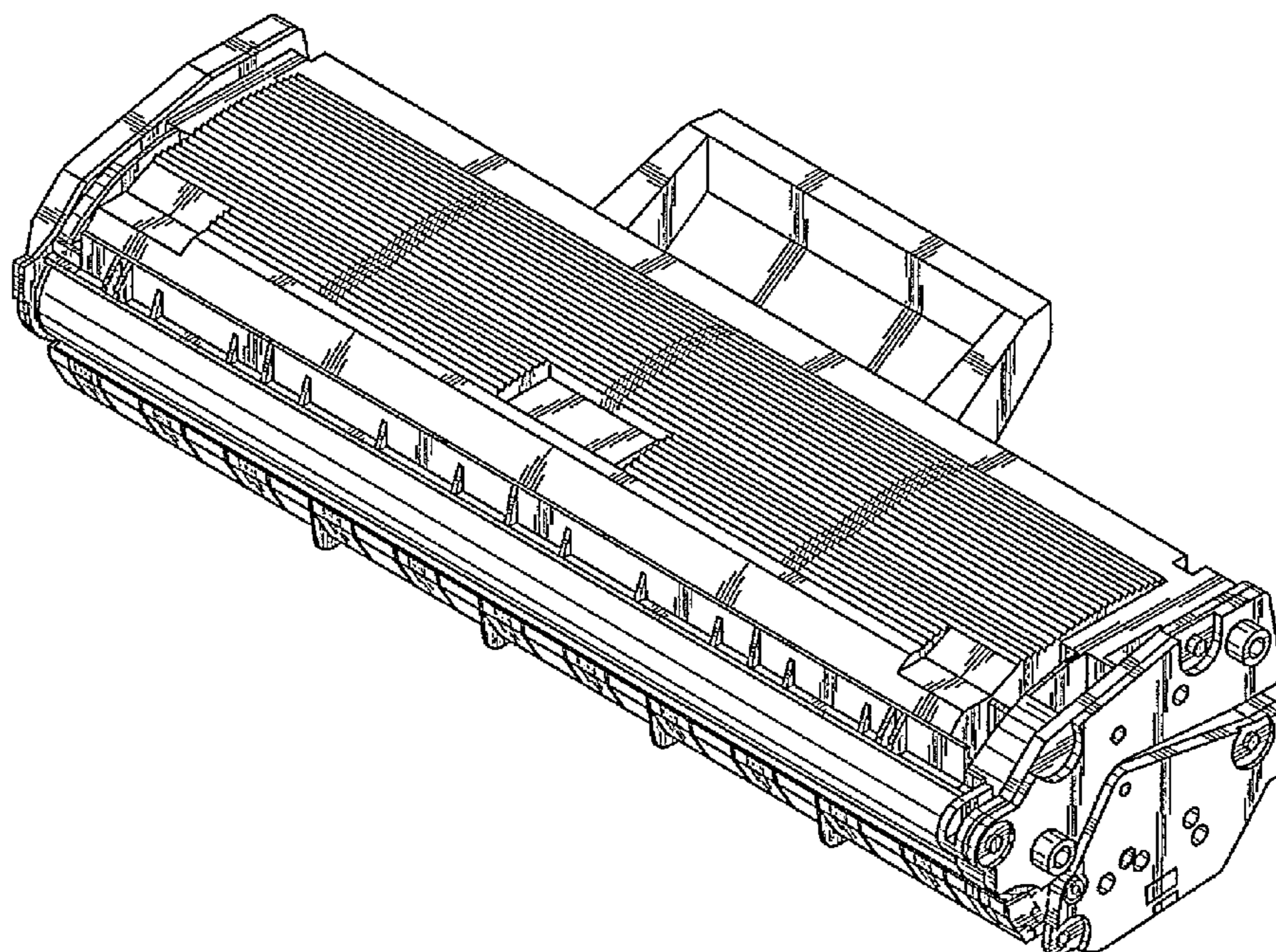
(57) **CLAIM**

The ornamental design for a developing device for a printer,  
as shown and described.

**DESCRIPTION**

FIG. 1 is a top front perspective view of a developing device  
for a printer showing our new design;  
FIG. 2 is a front elevational view thereof;  
FIG. 3 is a rear elevational view thereof;  
FIG. 4 is a left side elevational view thereof;  
FIG. 5 is a right side elevational view thereof;  
FIG. 6 is a top plan view thereof; and,  
FIG. 7 is a bottom plan view thereof.  
The broken lines illustrating portions of the developing  
device for a printer are for environmental purposes only and  
form no part of the claimed design.

**1 Claim, 4 Drawing Sheets**



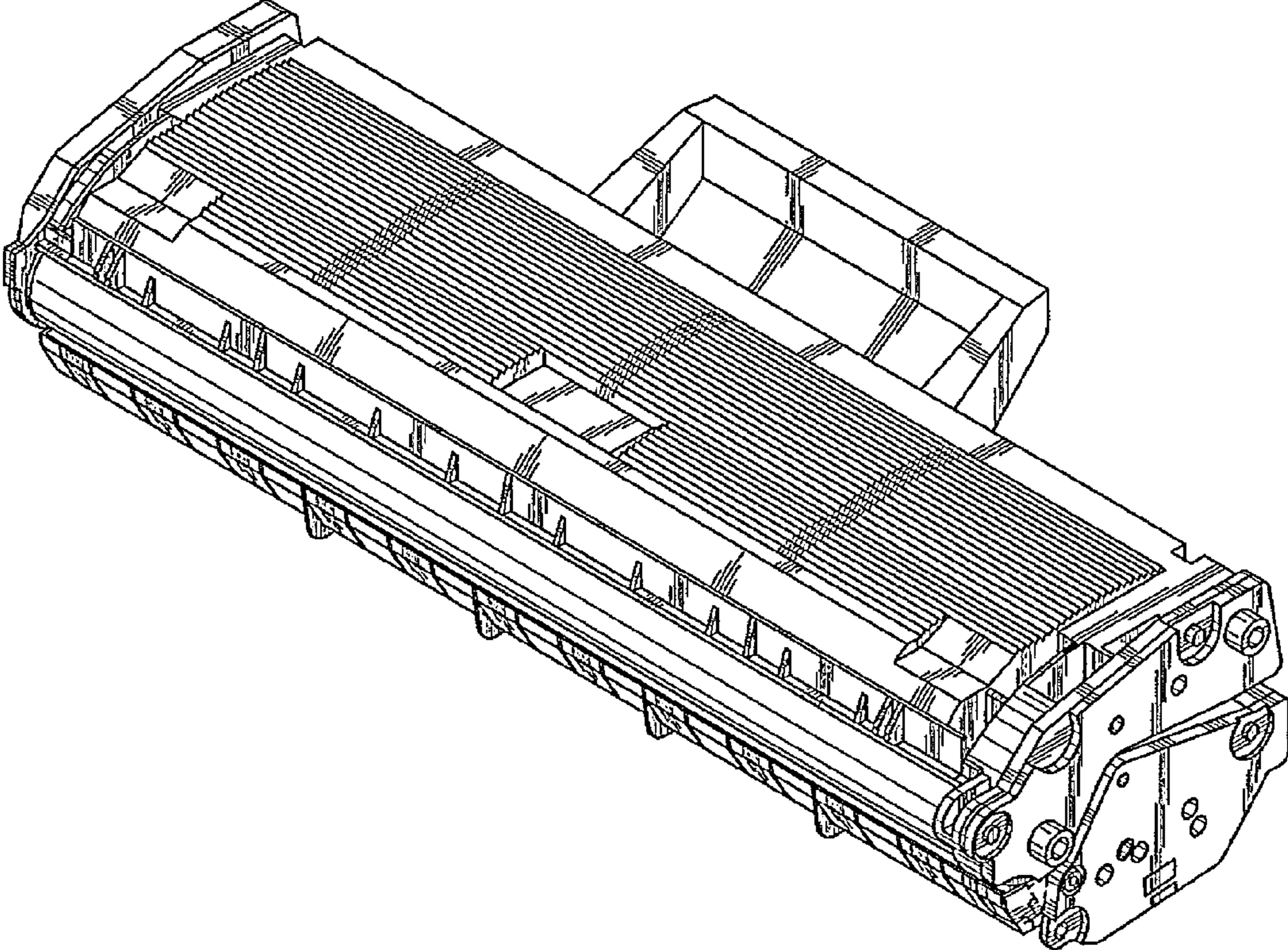


FIG. 1



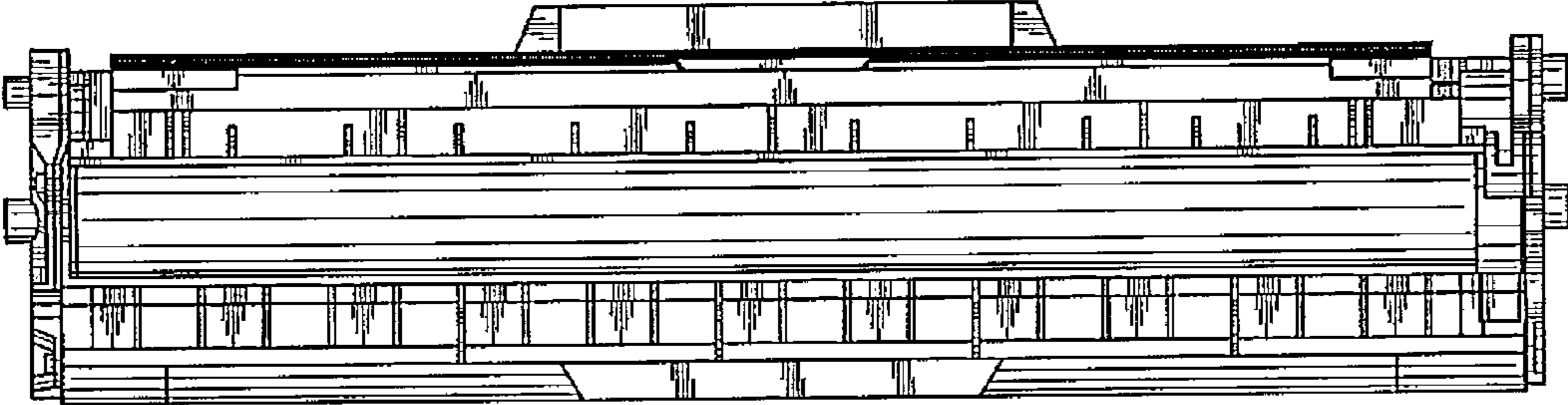


FIG. 2

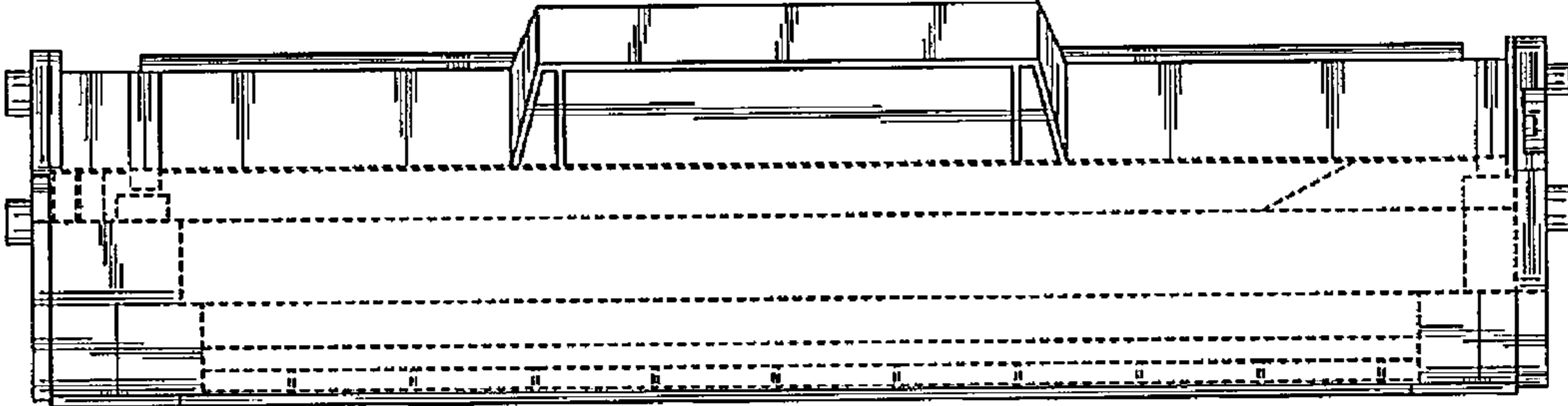


FIG. 3

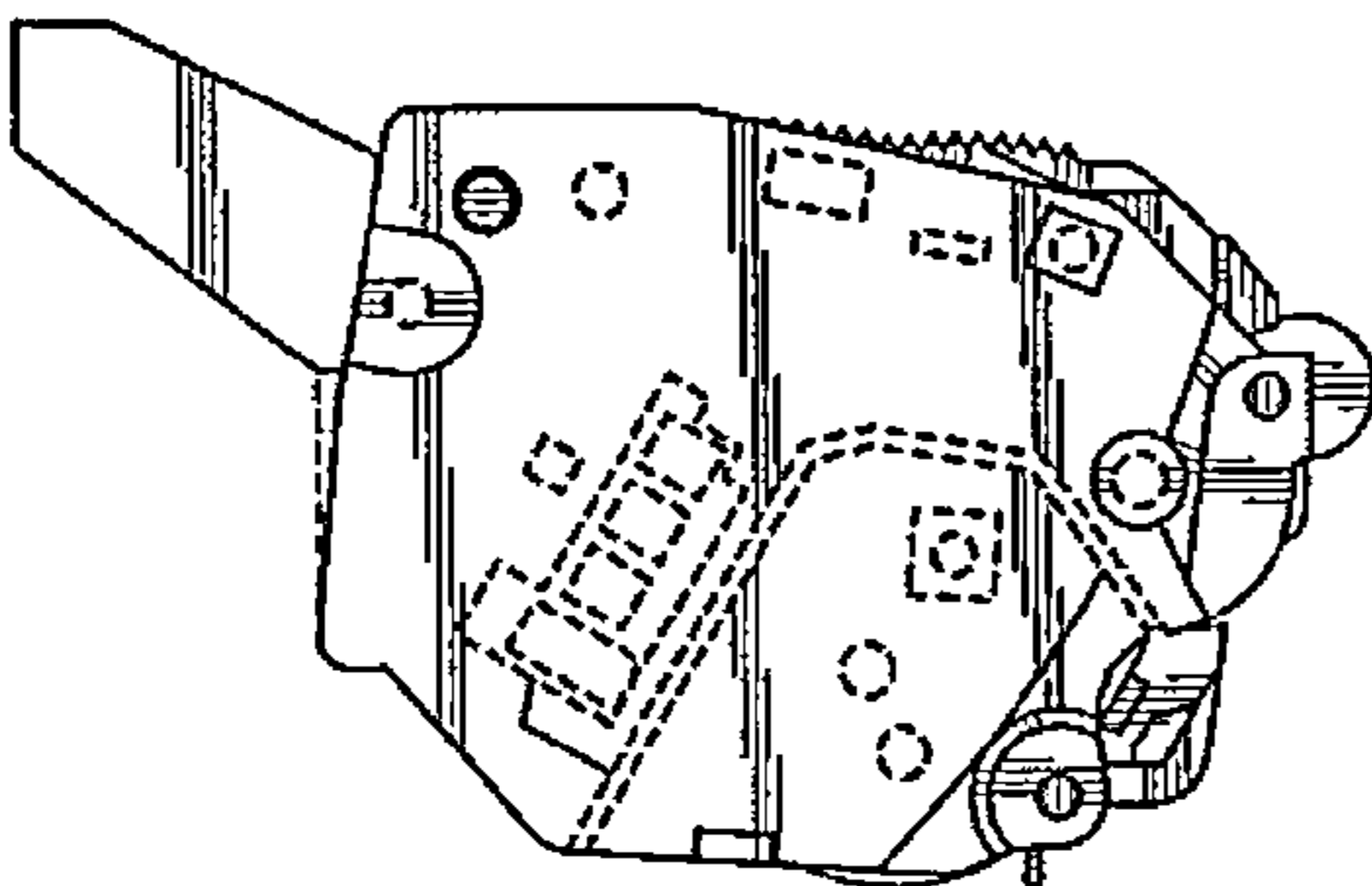


FIG. 4

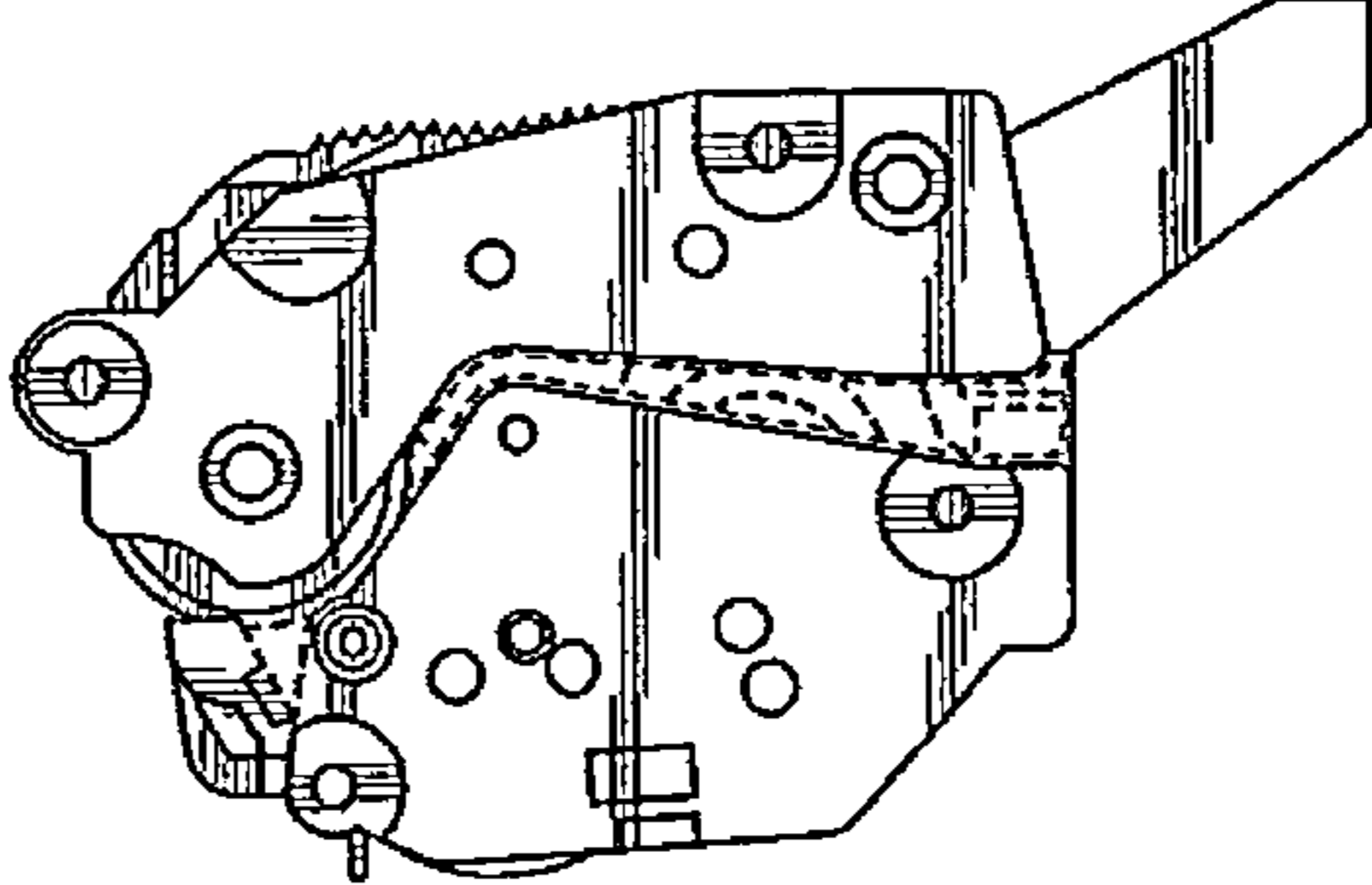


FIG. 5

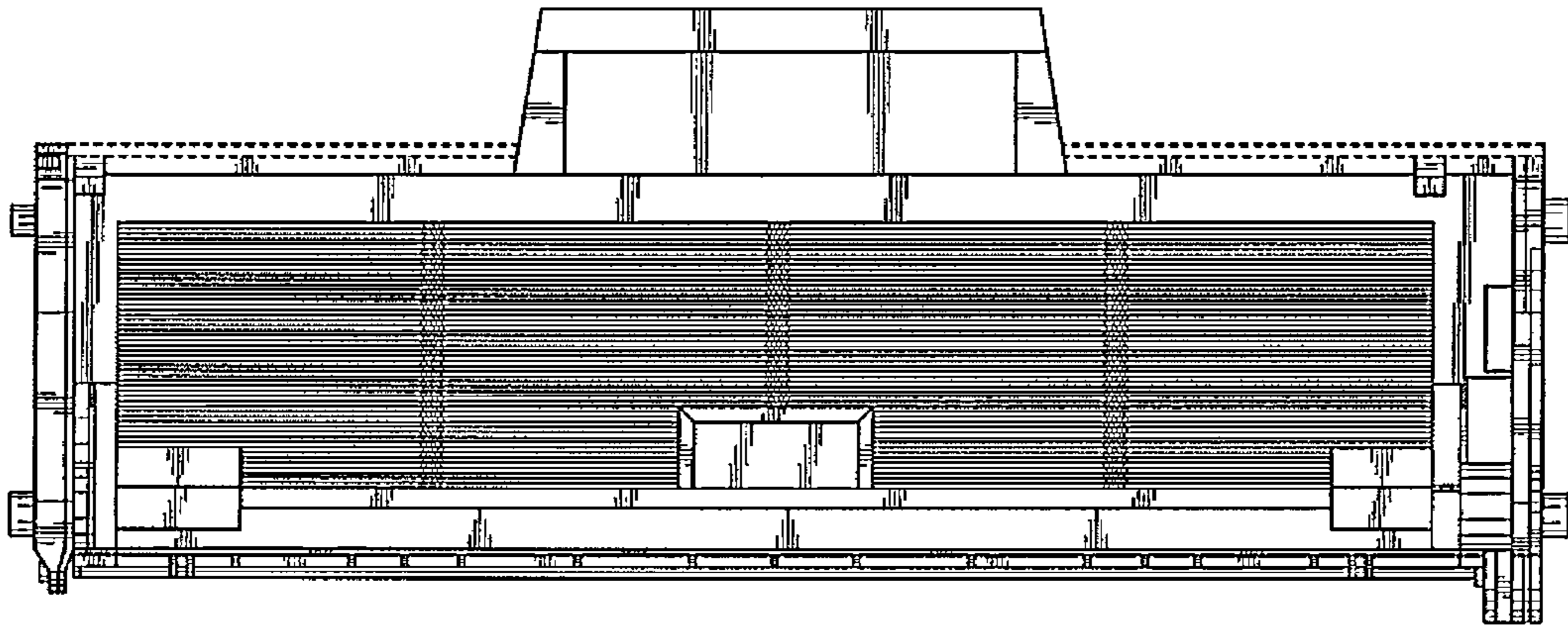


FIG. 6

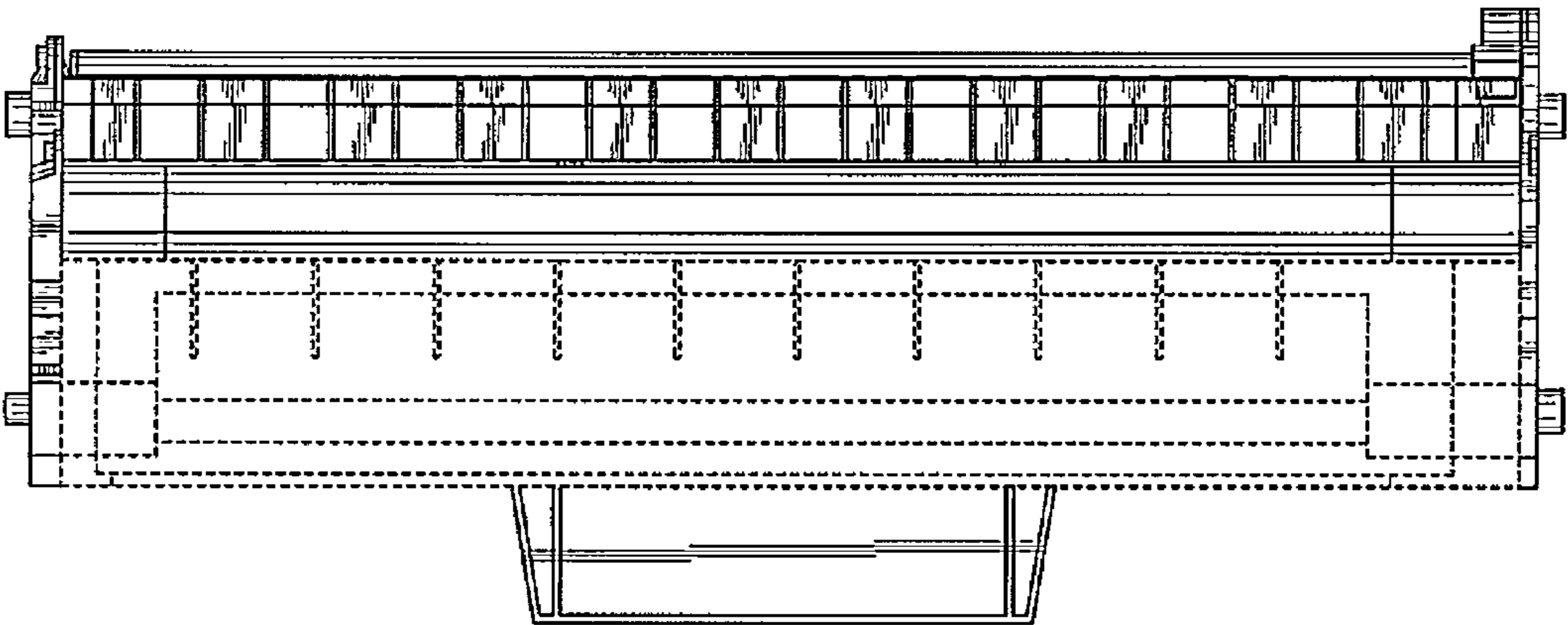


FIG. 7