



US00D706337S

(12) **United States Design Patent**  
**Blacken et al.**

(10) **Patent No.:** **US D706,337 S**  
(45) **Date of Patent:** **\*\* Jun. 3, 2014**

(54) **HAND HELD PRINTER**

(71) Applicant: **Sanford, L.P.**, Oak Brook, IL (US)  
(72) Inventors: **Lars Eric Blacken**, Roswell, GA (US);  
**Todd James Huthmaker**, Alpharetta, GA (US); **Stefaan Van Den Broecke**, Gent (BE)  
(73) Assignee: **Sanford, L.P.**, Oak Brook, IL (US)  
(\*\*) Term: **14 Years**  
(21) Appl. No.: **29/438,251**

(22) Filed: **Nov. 28, 2012**  
(51) **LOC (10) Cl.** ..... **18-02**  
(52) **U.S. Cl.**  
USPC ..... **D18/14**  
(58) **Field of Classification Search**  
USPC ..... D18/6-7, 14, 19, 52; D14/347, 426;  
D19/68; 101/288; 156/384; 400/56,  
400/62-63  
See application file for complete search history.

(56) **References Cited**

**U.S. PATENT DOCUMENTS**

D289,415 S \* 4/1987 Kikuchi et al. .... D18/7  
D360,890 S 8/1995 Tremlett  
D425,518 S \* 5/2000 Simms ..... D14/347  
D439,898 S \* 4/2001 Ober et al. .... D14/347  
D499,758 S \* 12/2004 Fries ..... D18/14  
D574,830 S \* 8/2008 Tasselli et al. .... D14/426  
D586,845 S 2/2009 Pradere et al.  
D619,638 S \* 7/2010 McConnell et al. .... D18/14  
D628,198 S \* 11/2010 Fitch et al. .... D14/347  
D631,908 S 2/2011 Thaler et al.  
D631,909 S 2/2011 Blanc et al.  
D632,329 S 2/2011 Thaler et al.  
D634,744 S \* 3/2011 Palmer et al. .... D14/347

(Continued)

**FOREIGN PATENT DOCUMENTS**

EM 000152889-0001 3/2004  
EM 000179619-0001 5/2004

(Continued)

**OTHER PUBLICATIONS**

Brady Worldwide, Inc.; The Material Advantage, Labeling Materials for the TLS2200 System; 1998; pp. 1-16; United States of America.

(Continued)

*Primary Examiner* — Cathy A MacCormac

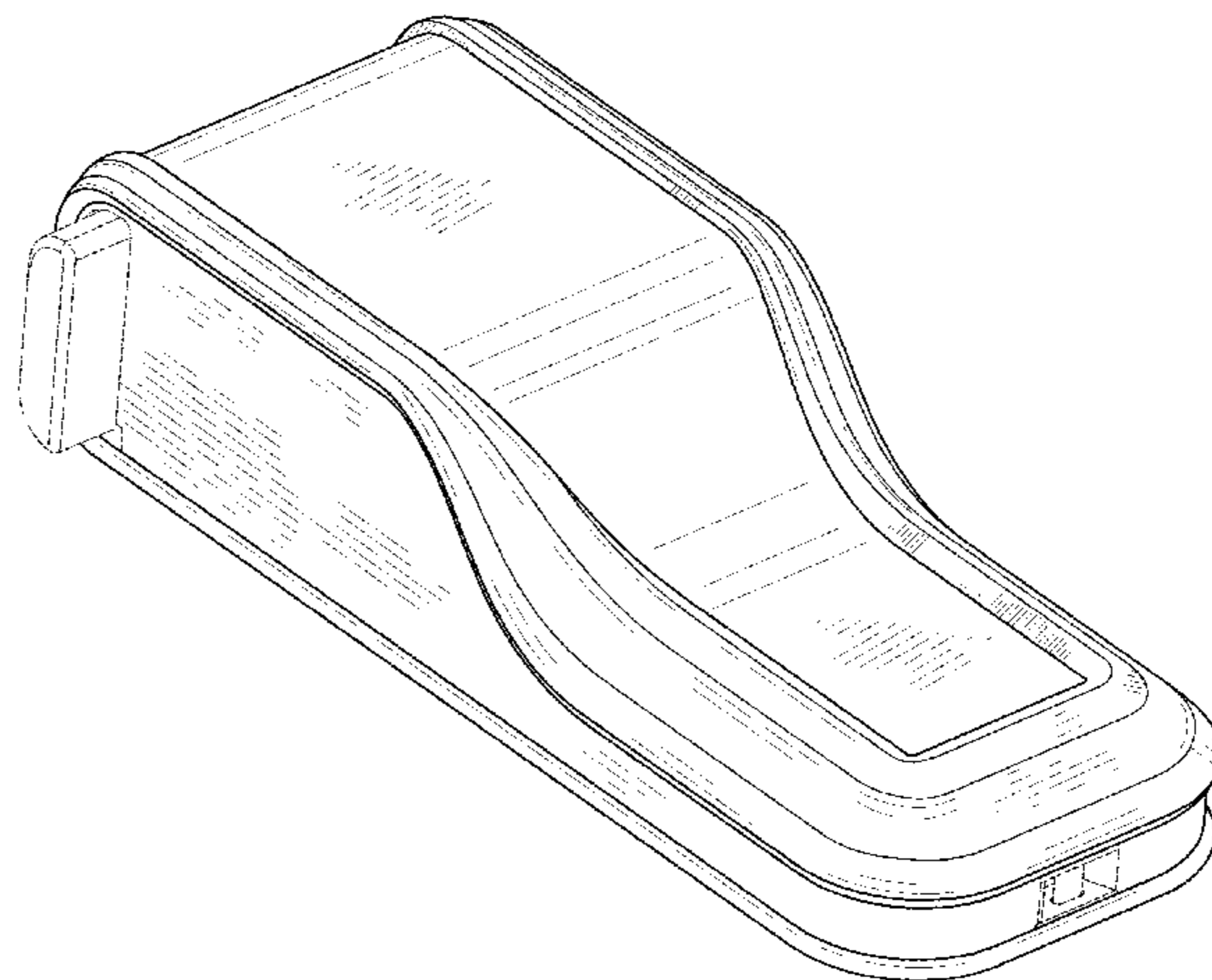
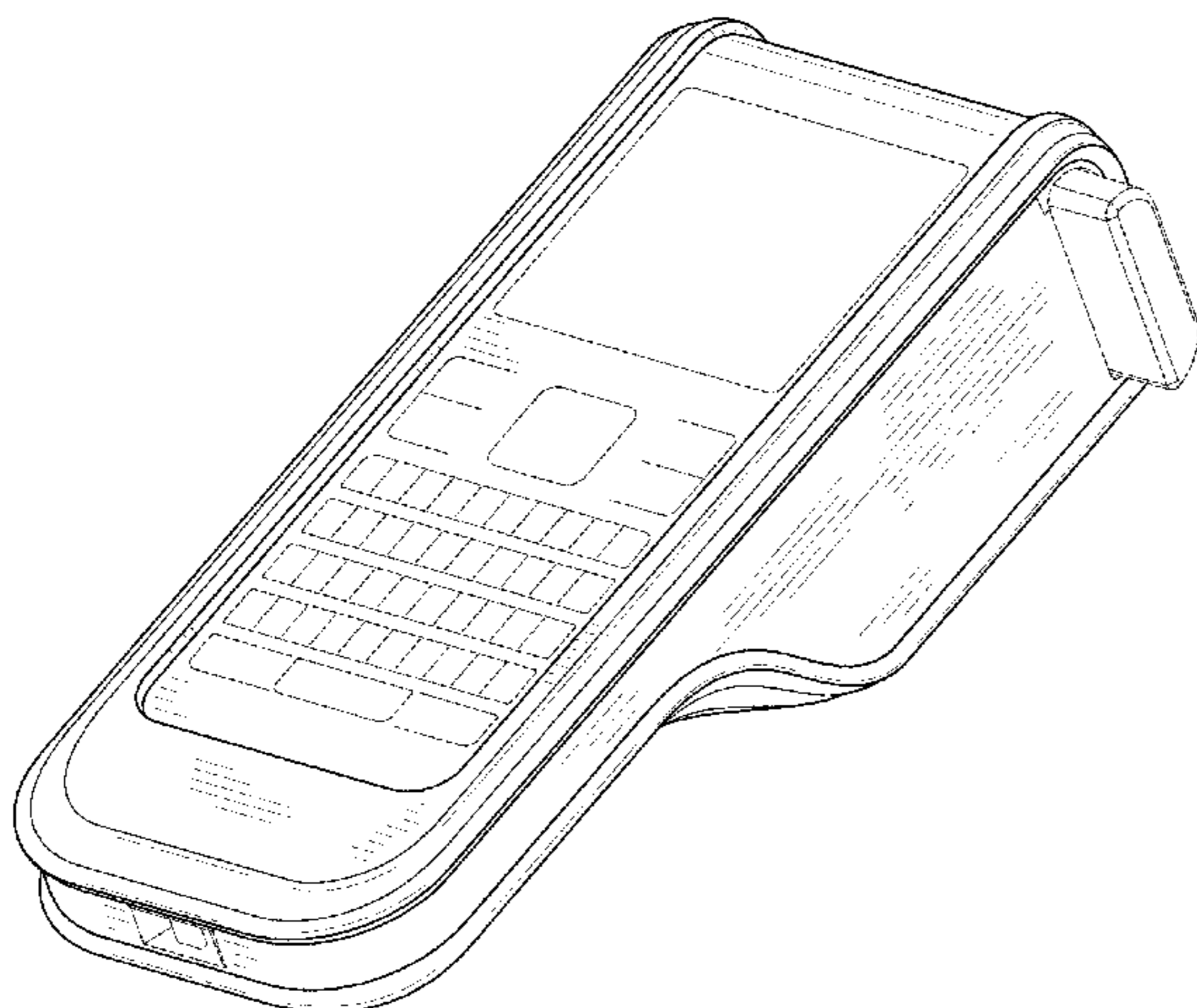
(57) **CLAIM**

The ornamental design for a “hand held printer,” as shown and described.

**DESCRIPTION**

FIG. 1 is a front and right side perspective view of a hand held printer, showing my new design, according to one embodiment;  
FIG. 2 is a back and right side perspective view of the hand held printer shown in FIG. 1;  
FIG. 3 is a front elevational view of the hand held printer shown in FIG. 1;  
FIG. 4 is a back elevational view of the hand held printer shown in FIG. 1;  
FIG. 5 is a left side elevational view of the hand held printer shown in FIG. 1;  
FIG. 6 is a right side elevational view of the hand held printer shown in FIG. 1;  
FIG. 7 is a top plan view of the hand held printer shown in FIG. 1; and,  
FIG. 8 is a bottom plan view of the hand held printer shown in FIG. 1.  
The broken lines are for illustration only and form no part of the claimed design.

**1 Claim, 8 Drawing Sheets**



(56)

**References Cited**

U.S. PATENT DOCUMENTS

D638,422 S \* 5/2011 Reed et al. .... D14/347  
 D643,034 S \* 8/2011 Tasselli et al. .... D14/347  
 D643,395 S \* 8/2011 Moss ..... D14/138 AA  
 D663,766 S 7/2012 Van Den Broecke et al.  
 D664,145 S \* 7/2012 Cullen et al. .... D14/426  
 D664,189 S 7/2012 Van Den Broecke et al.  
 D667,868 S 9/2012 Huthmaker et al.  
 D674,840 S 1/2013 Van Den Broecke et al.  
 D675,615 S \* 2/2013 Peel ..... D18/6  
 D676,080 S 2/2013 Van Den Broecke et al.  
 D677,663 S \* 3/2013 Minafo et al. .... D14/429

FOREIGN PATENT DOCUMENTS

EM 000179619-0002 5/2004  
 EM 000251798-0001 11/2004

EM 000251798-0002 11/2004  
 EM 000251798-0003 11/2004  
 GB 2071649 1/1998

OTHER PUBLICATIONS

Hellermannntyton; LITPD179, Rev. 1, Spirit 2100 Portable Printing System; No date available.; pp. 1-4; United States of America.  
 Brady Corporation, BMP71 Label Printer, Quick Start Guide; Nov. 10, 2009; pp. 1-13; United States of America.  
 Hellermannntyton GmbH; Kennzeichnungssysteme, Spirit 2100, Fur Mobile and Perfekte Kennzeichnung; Sep. 29, 2003; pp. 1-4, Germany.

\* cited by examiner

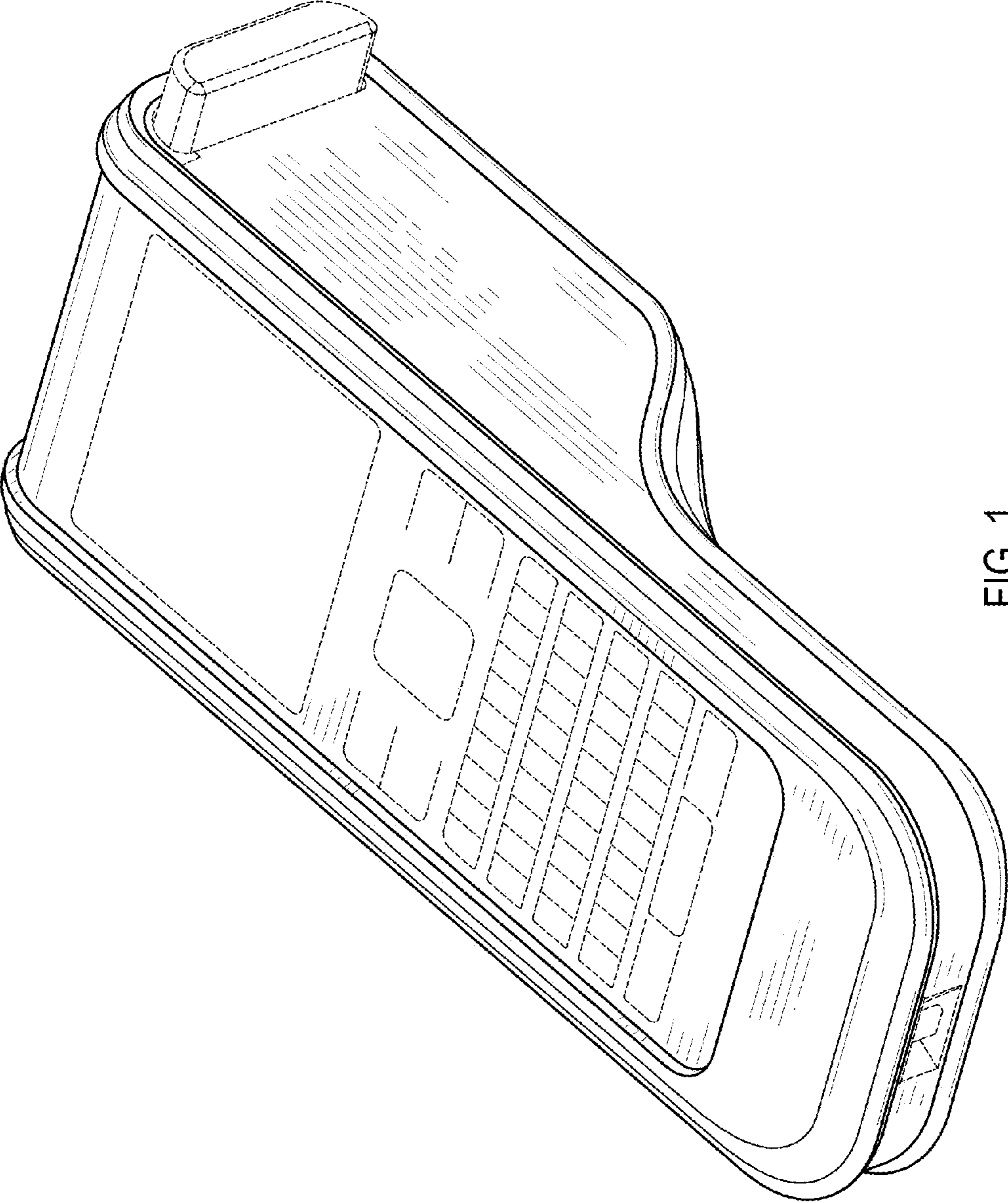


FIG. 1

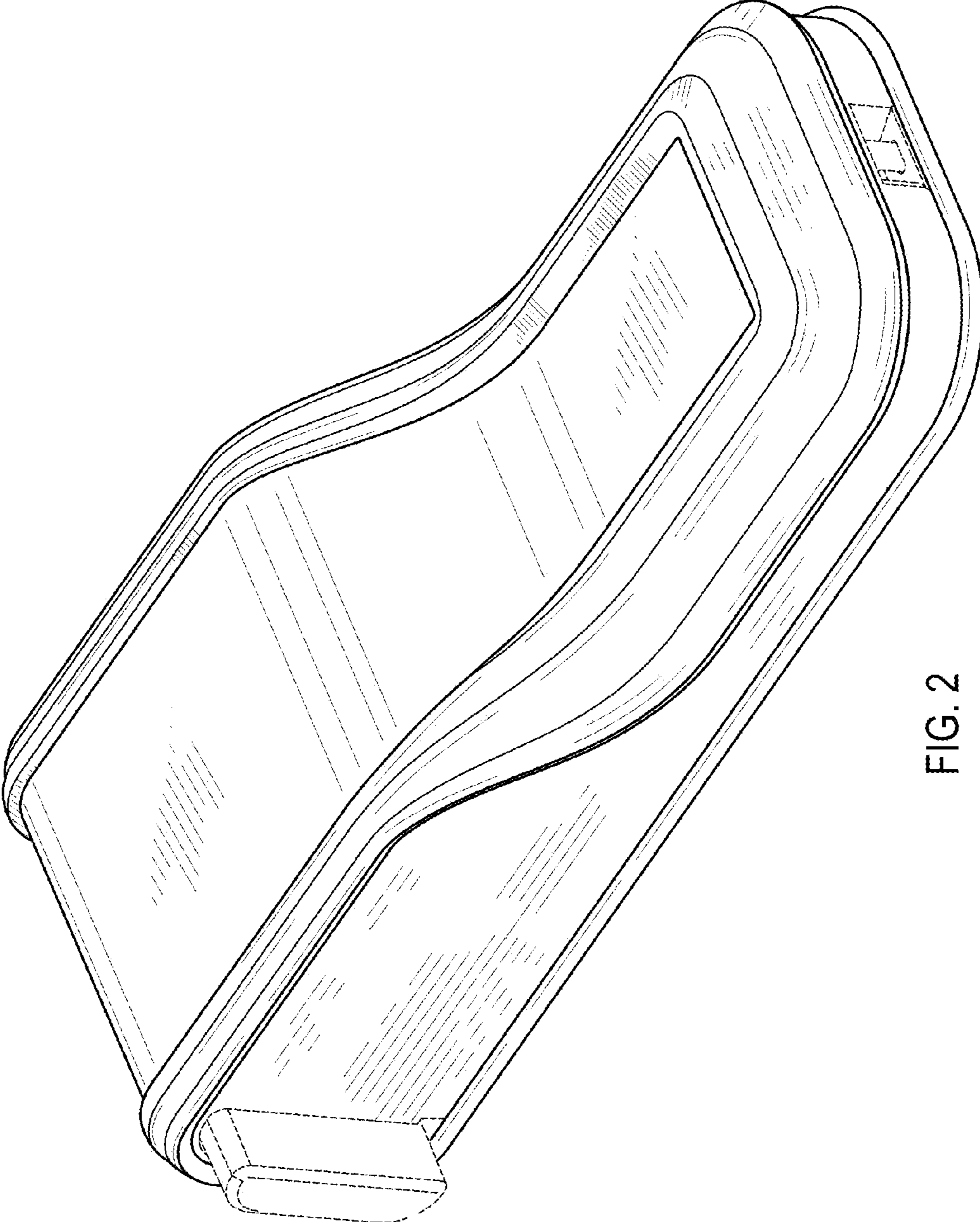


FIG. 2

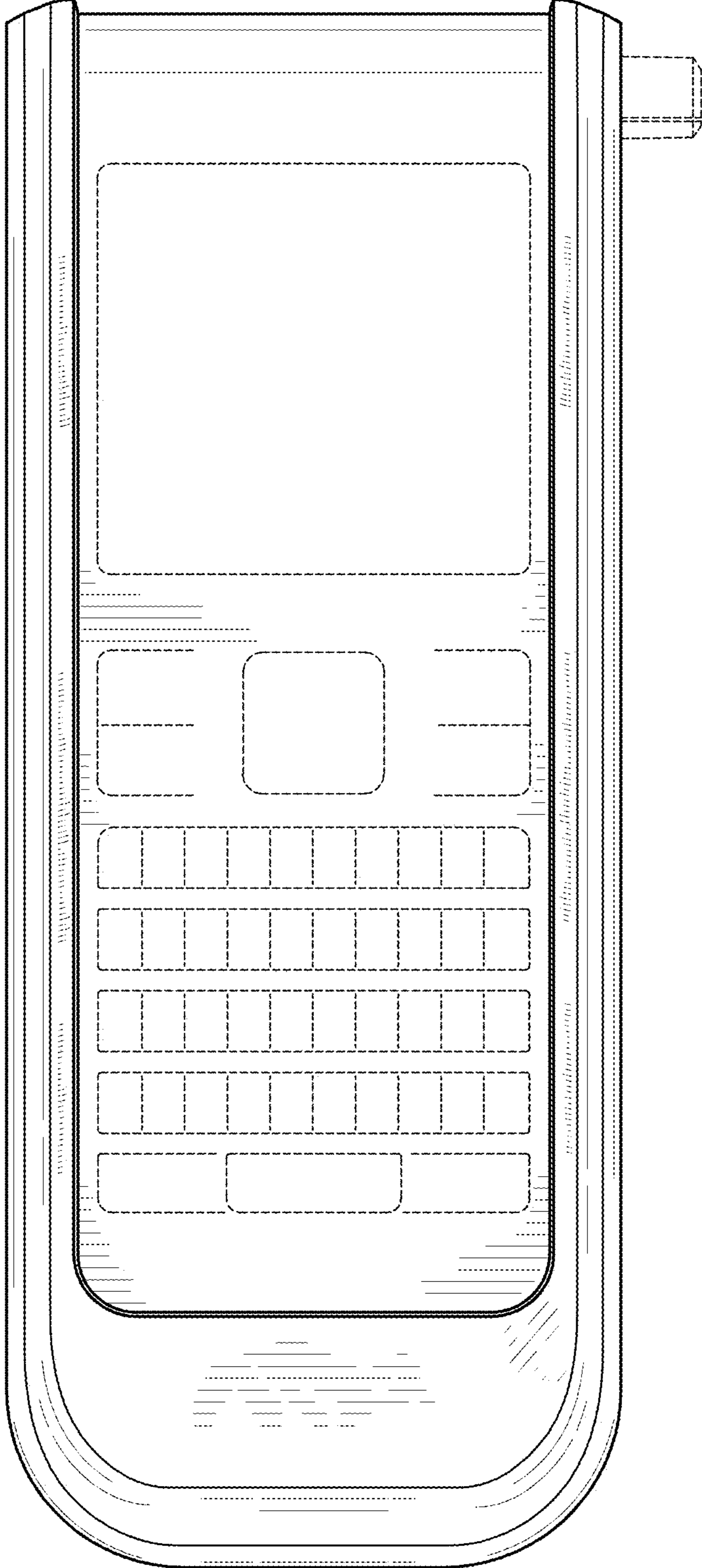


FIG. 3

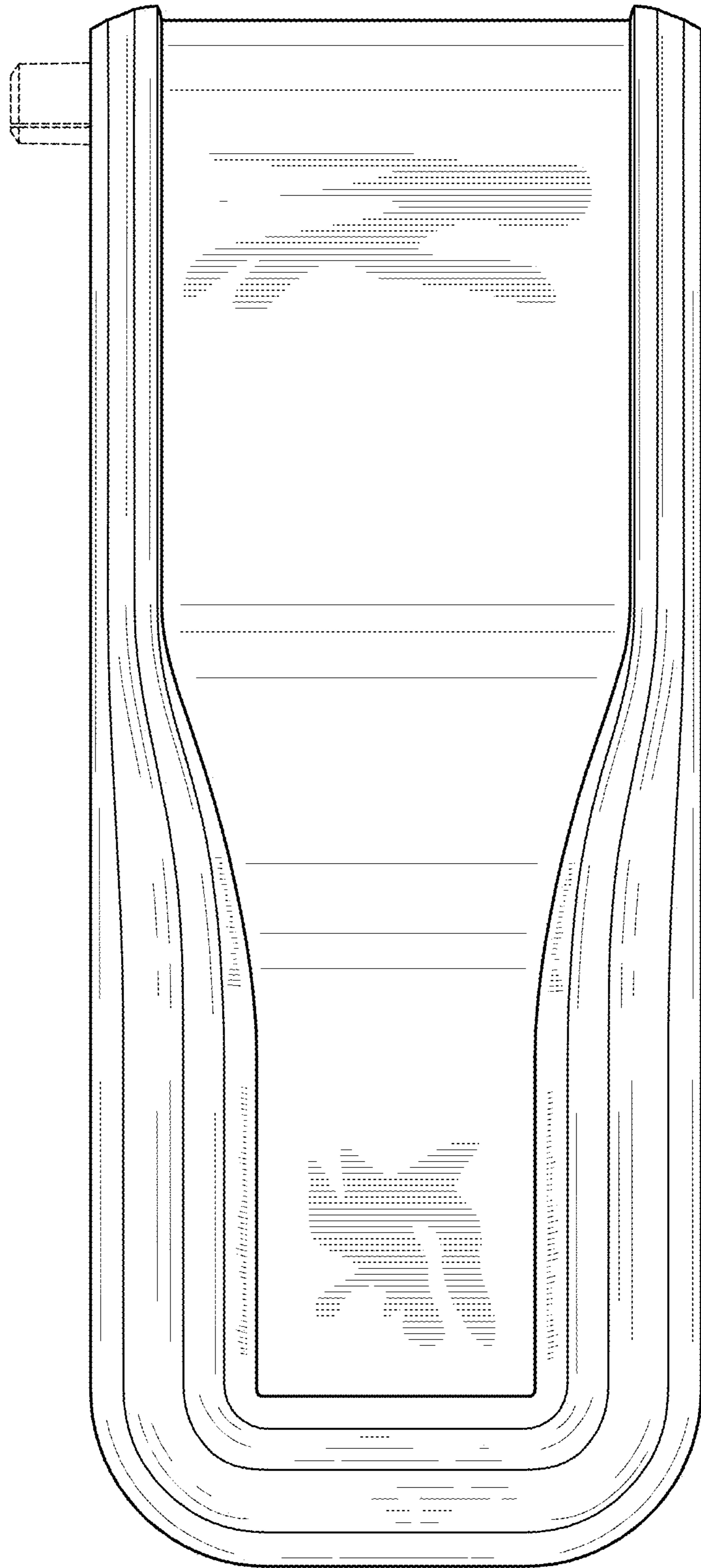


FIG. 4

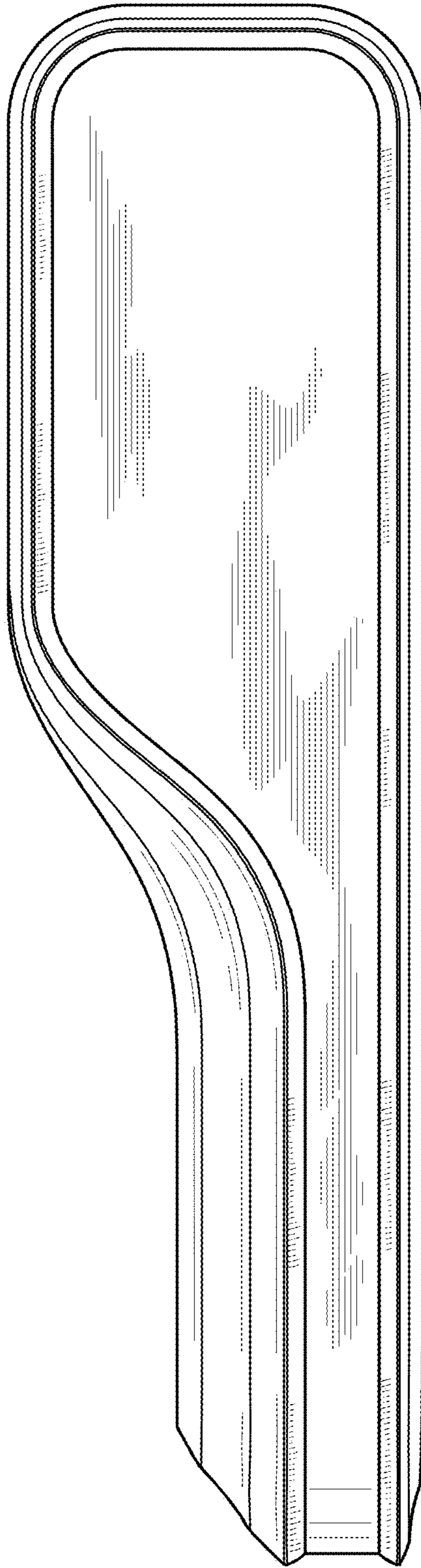


FIG. 5

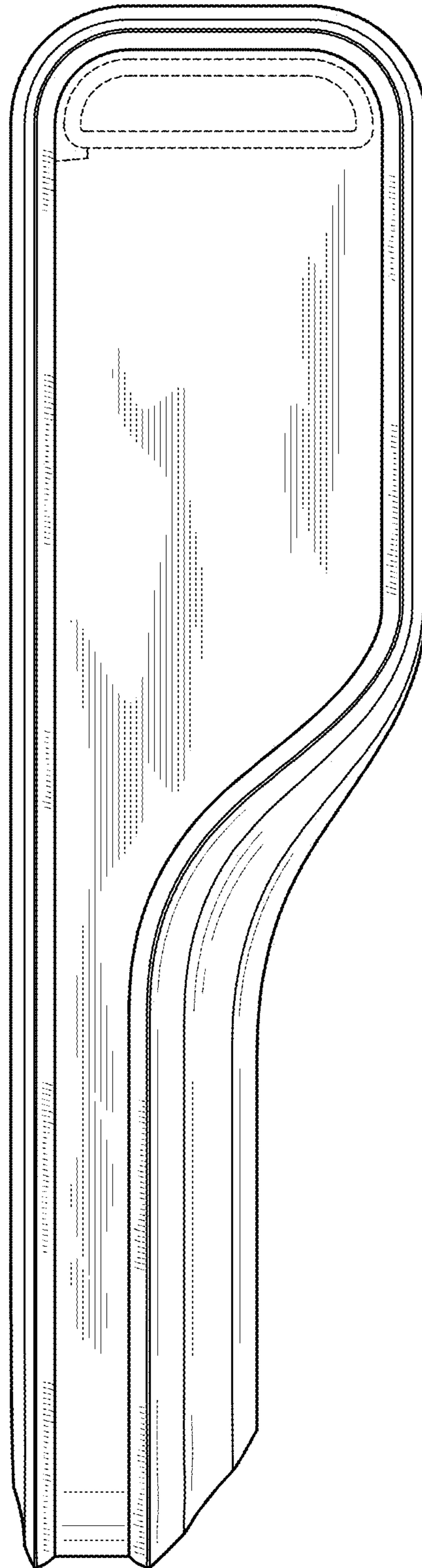


FIG. 6



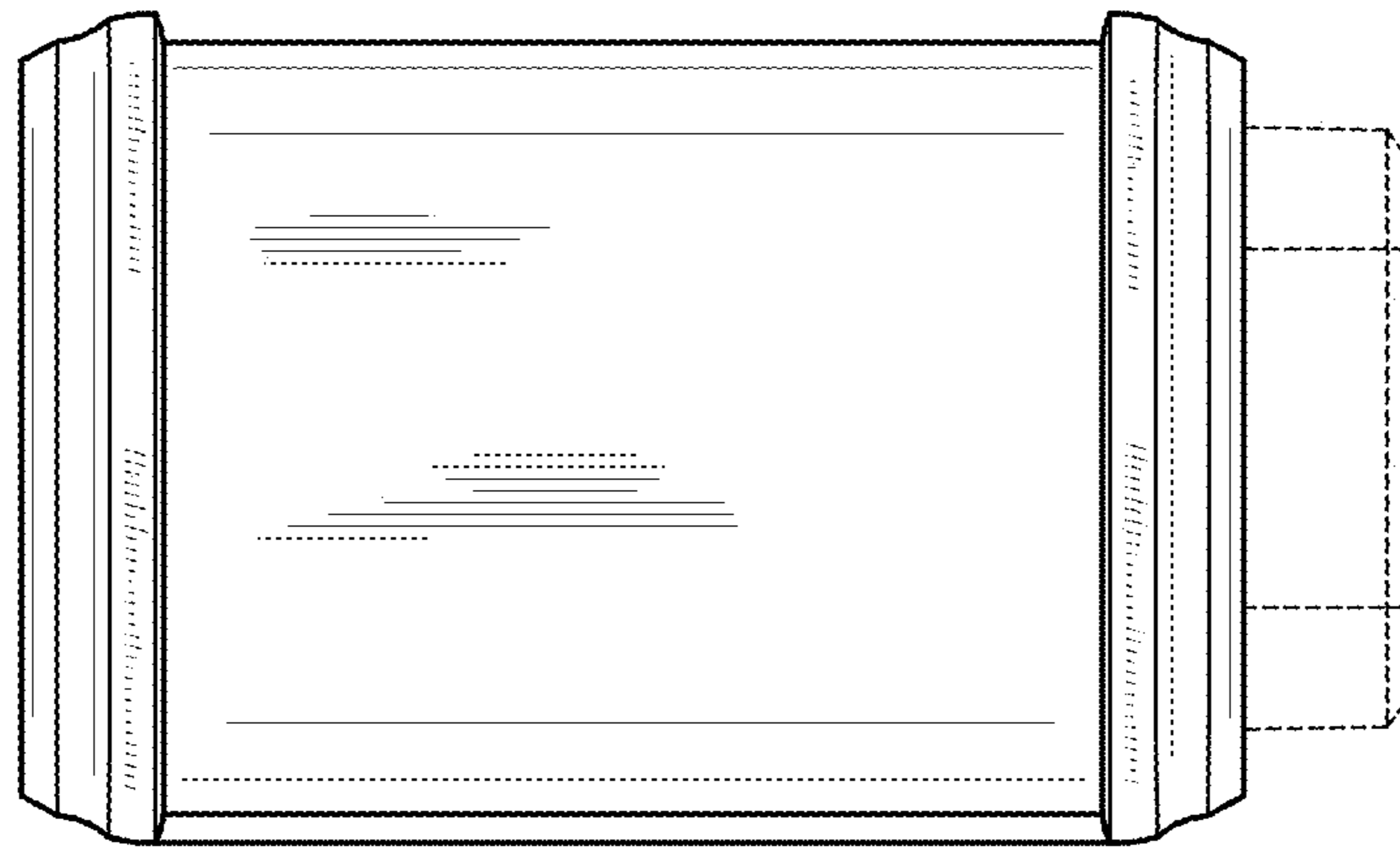


FIG. 7

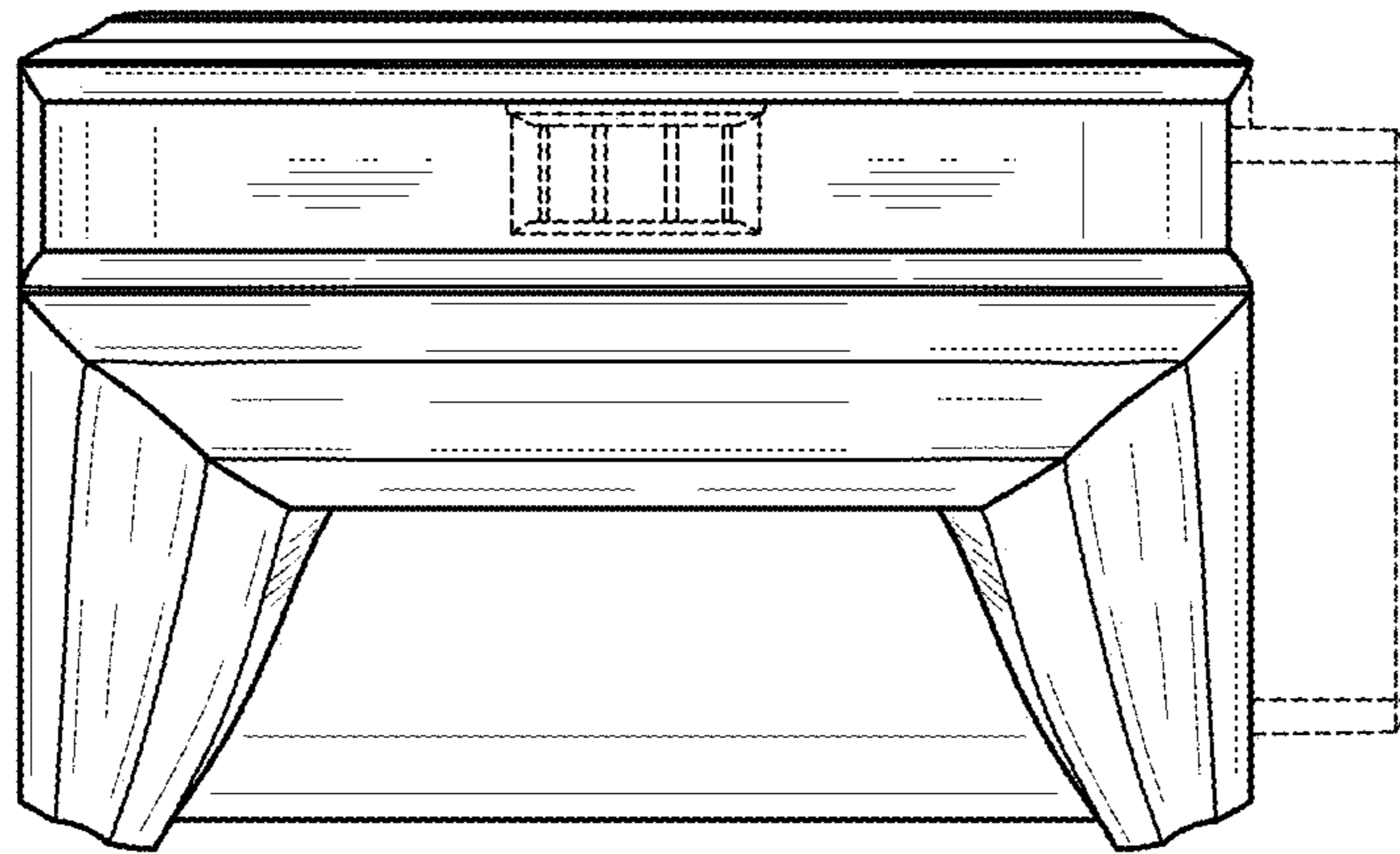


FIG. 8