



US00D706333S

(12) **United States Design Patent**
Chun

(10) **Patent No.:** **US D706,333 S**

(45) **Date of Patent:** **** Jun. 3, 2014**

(54) **FOLDING, LOW PROFILE TRIPOD BASE**

(71) Applicant: **James K. Chun**, Fremont, CA (US)

(72) Inventor: **James K. Chun**, Fremont, CA (US)

(**) Term: **14 Years**

(21) Appl. No.: **29/445,783**

(22) Filed: **Feb. 15, 2013**

(51) **LOC (10) Cl.** **16-05**

(52) **U.S. Cl.**
USPC **D16/244**

(58) **Field of Classification Search**
CPC A47B 19/002
USPC D6/312, 701; D16/237, 240, 242, 243,
D16/244, 245, 250; 248/166, 168-171,
248/178.1, 185.1, 187.1, 188.6, 188.9, 439,
248/440.1, 441.1, 448, 454, 456, 457, 458,
248/460, 569, 600; 352/243; 396/419, 428
See application file for complete search history.

(56) **References Cited**

U.S. PATENT DOCUMENTS

2,172,085	A *	9/1939	Lagervall	248/457
3,300,165	A *	1/1967	O’Kane	248/168
4,648,698	A *	3/1987	Iwasaki	248/163.1
D299,243	S *	1/1989	Iwasaki	D16/244
D349,717	S *	8/1994	Akaike et al.	D16/244
D349,914	S *	8/1994	Usui	D16/244
D350,970	S *	9/1994	Usui	D16/244
5,708,890	A *	1/1998	Nakano	396/428
D445,123	S *	7/2001	Shen	D16/244
D459,609	S *	7/2002	Raff	D6/419

2003/0178544	A1 *	9/2003	Anderson	248/460
2008/0191105	A1 *	8/2008	Bogel	248/170
2012/0269503	A1 *	10/2012	Hale	396/428

* cited by examiner

Primary Examiner — Susan Bennett Hattan

Assistant Examiner — Leanne Was

(74) *Attorney, Agent, or Firm* — Dean A. Craine

(57) **CLAIM**

The ornamental design for a folding, low profile tripod base.

DESCRIPTION

FIG. 1 is a front top perspective view of a folding, low profile tripod base shown in the expanded configuration.

FIG. 2 is a front elevational view of the tripod base shown in FIG. 1.

FIG. 3 is a rear side elevational view of the tripod base shown in FIG. 1.

FIG. 4 is a left side elevational view of the tripod base shown in FIG. 1.

FIG. 5 is a right side elevational view of the tripod base shown in FIG. 1.

FIG. 6 is a top plan view of the tripod base shown in FIG. 1.

FIG. 7 is a bottom plan view of the tripod base shown in FIG. 1.

FIG. 8 is a front top perspective view of the tripod base shown in FIG. 1 in a folded configuration.

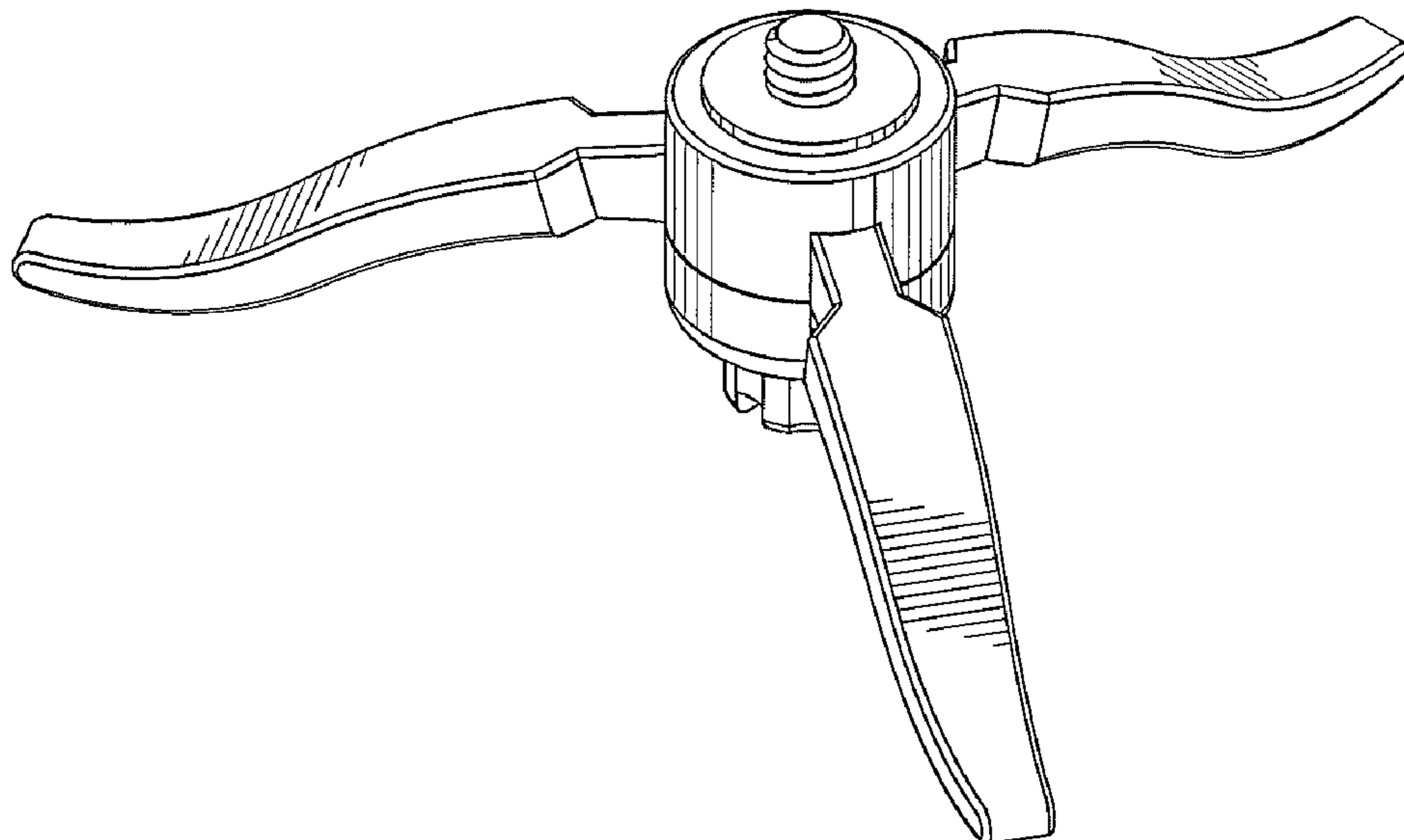
FIG. 9 is a front elevational view the tripod base shown in FIG. 8.

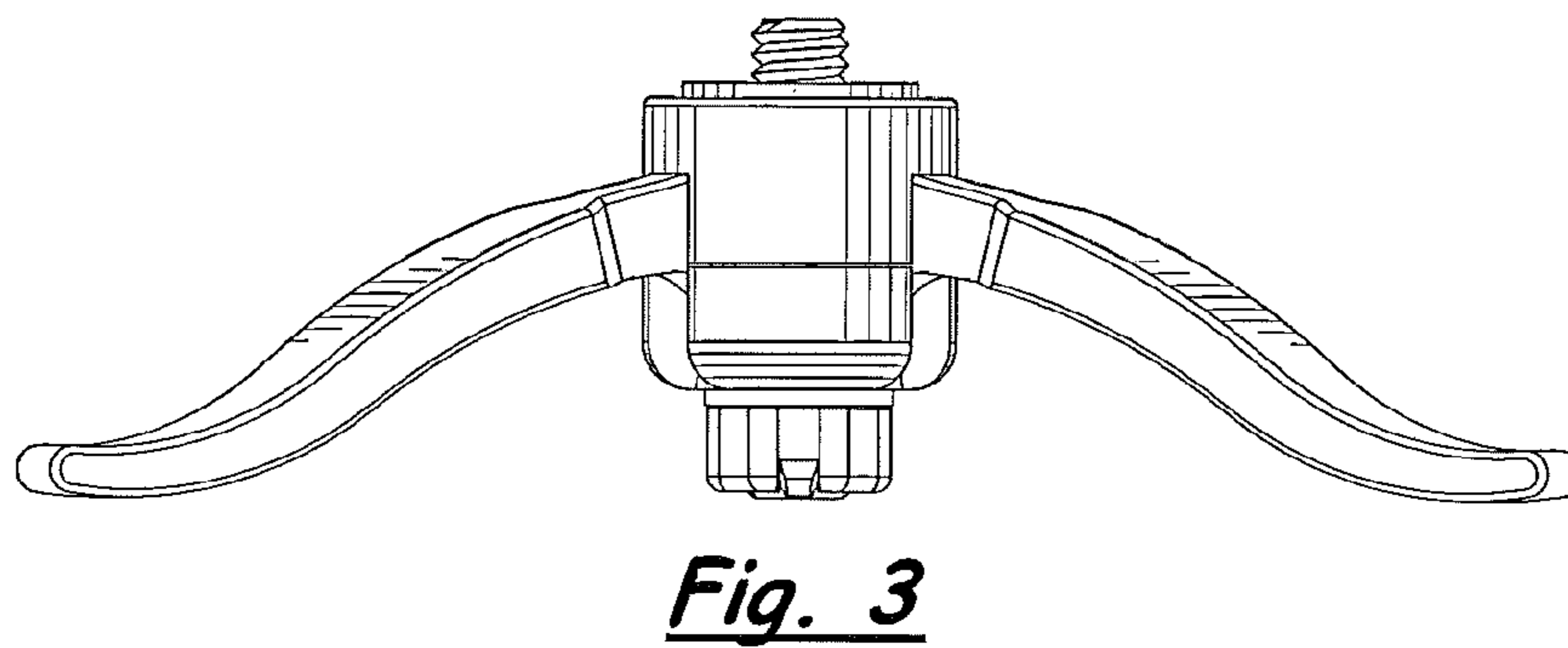
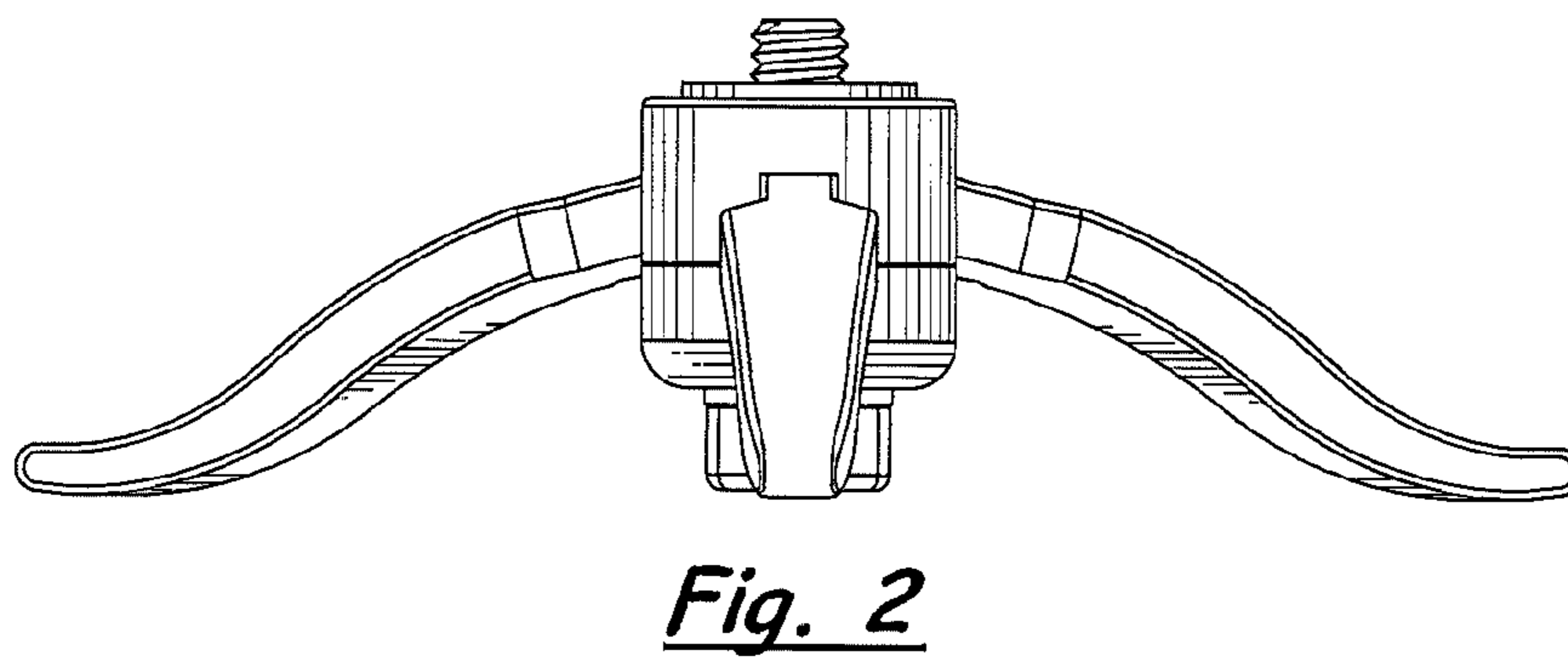
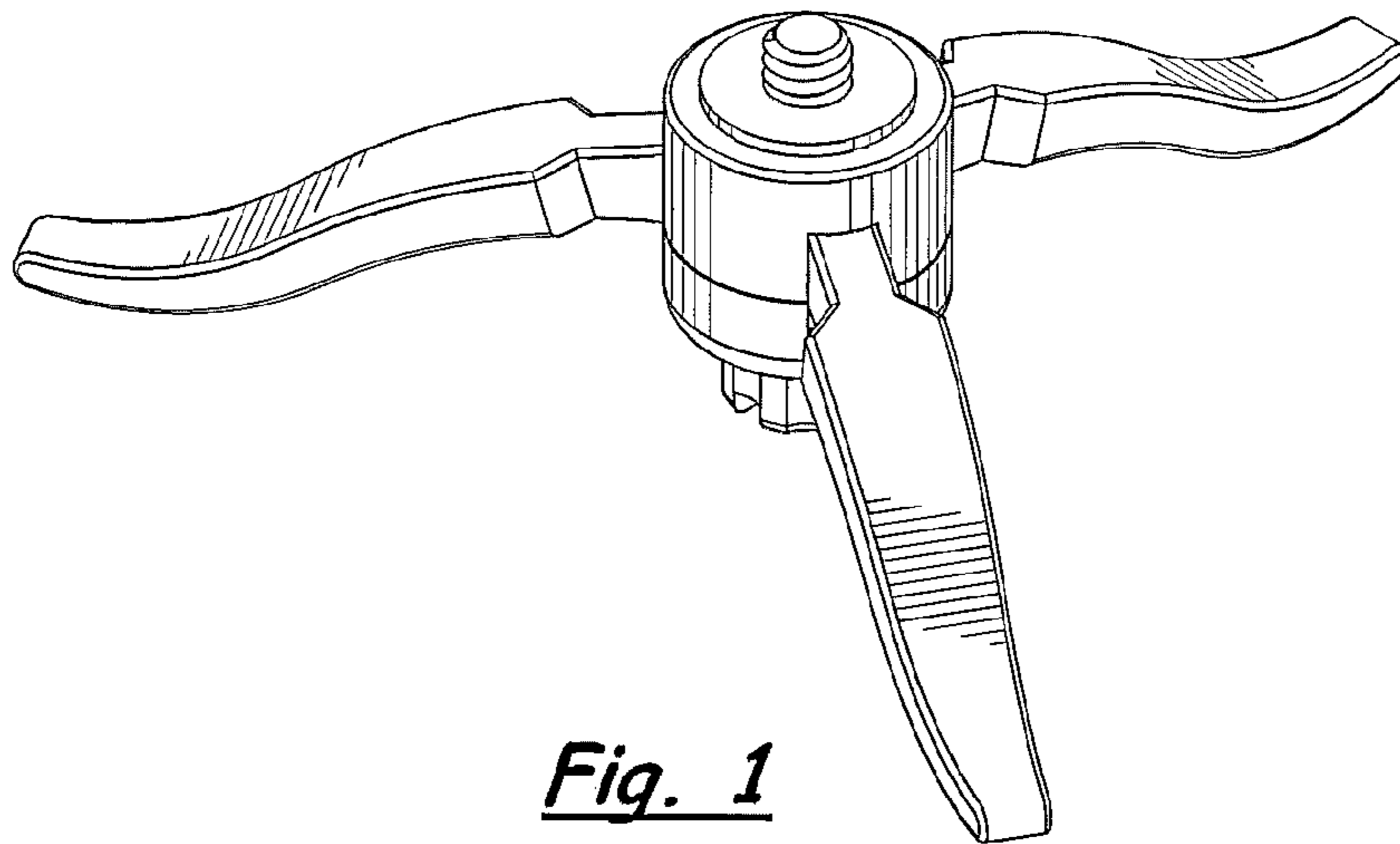
FIG. 10 is a front top perspective view of the tripod base shown FIG. 8.

FIG. 11 is a top elevational view of the tripod base shown in FIG. 8; and,

FIG. 12 is a bottom plan view of the tripod base shown in FIG. 8.

1 Claim, 4 Drawing Sheets





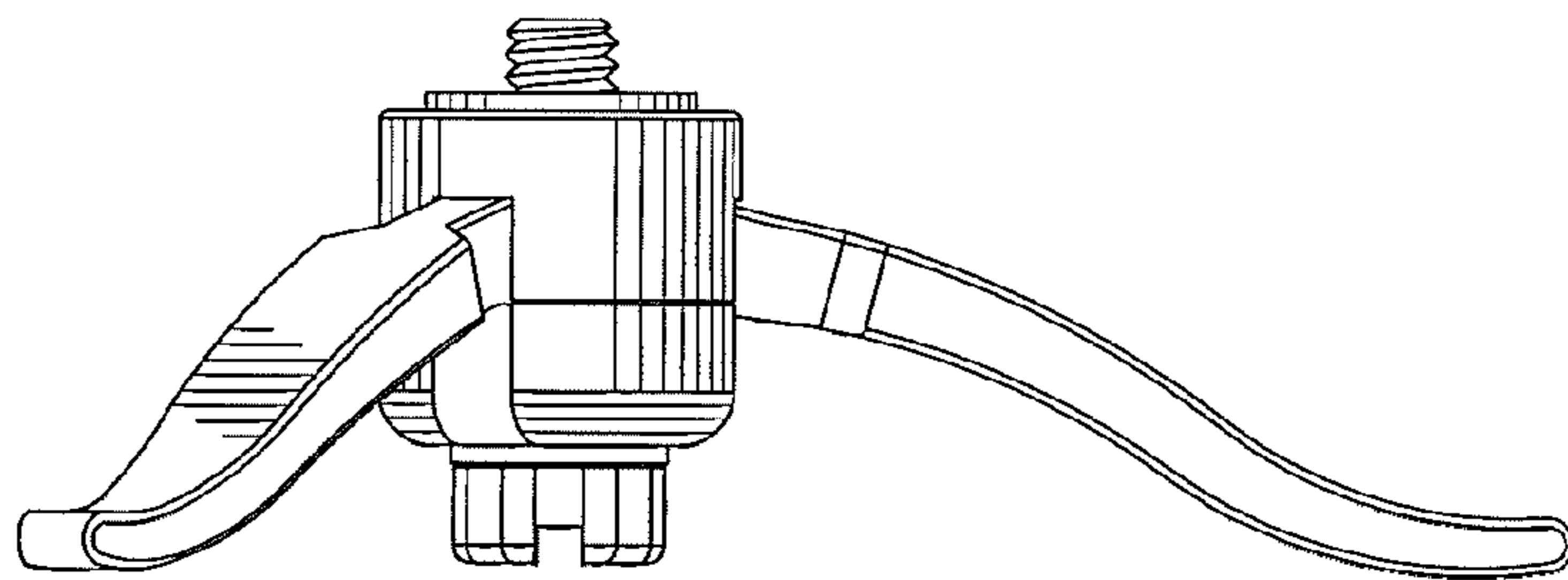


Fig. 4

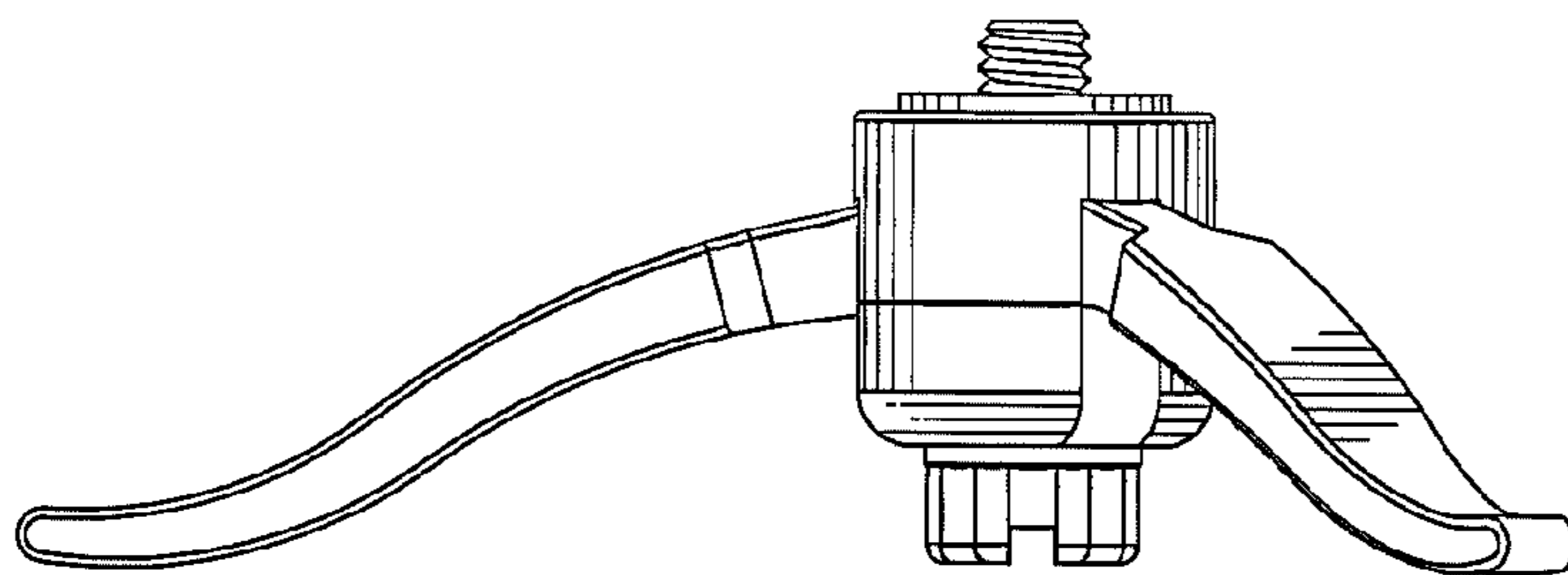


Fig. 5

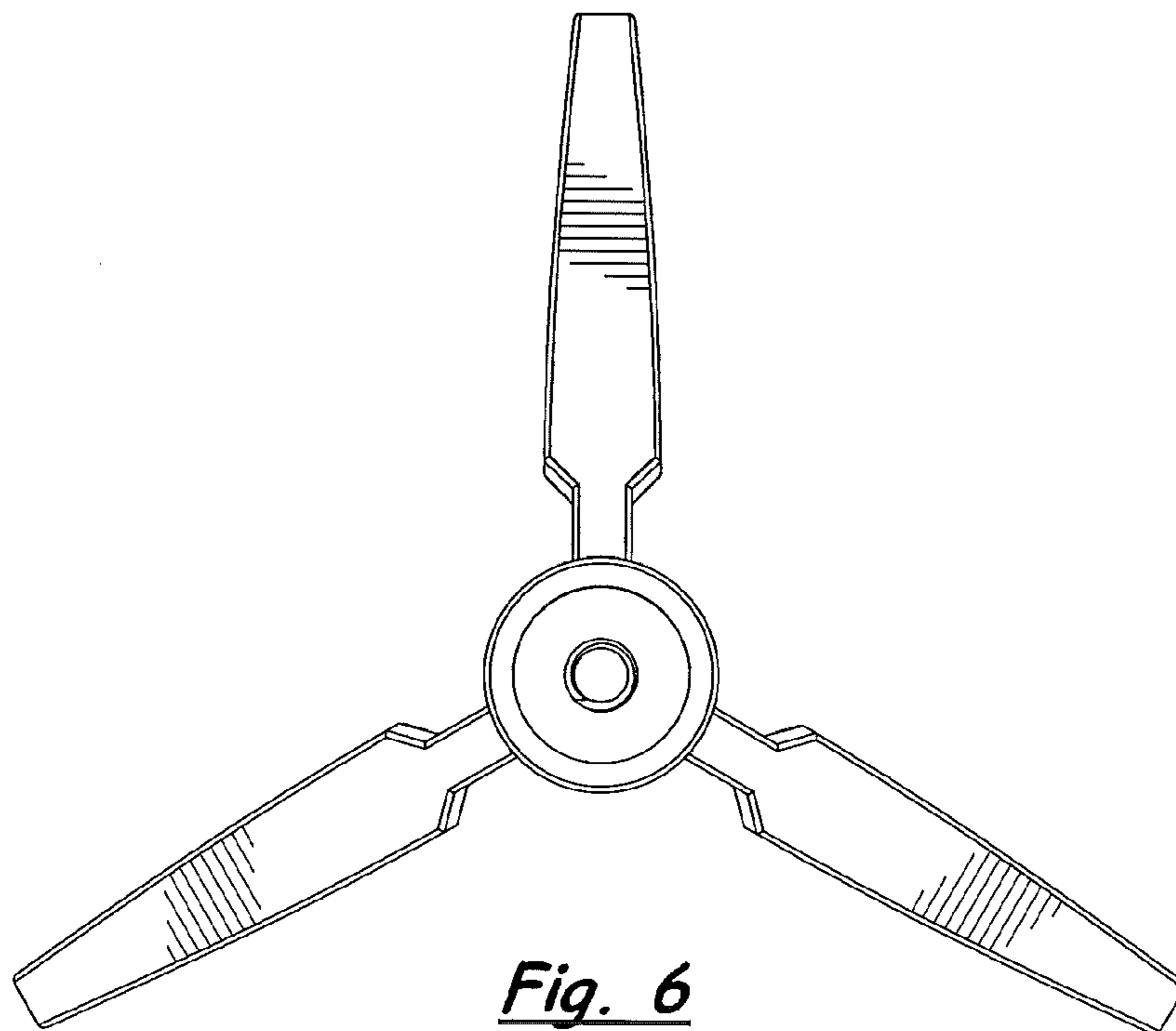


Fig. 6

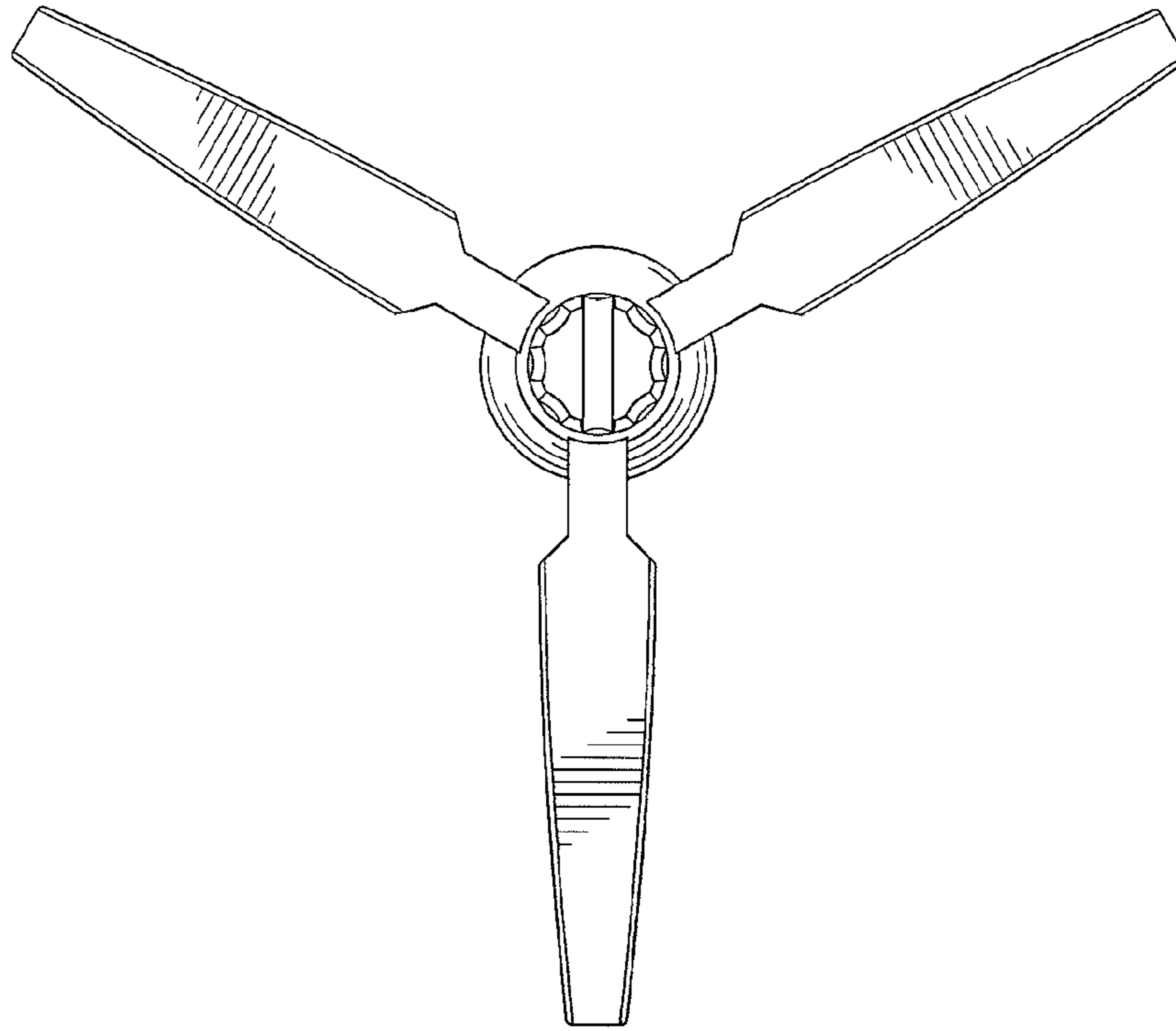


Fig. 7

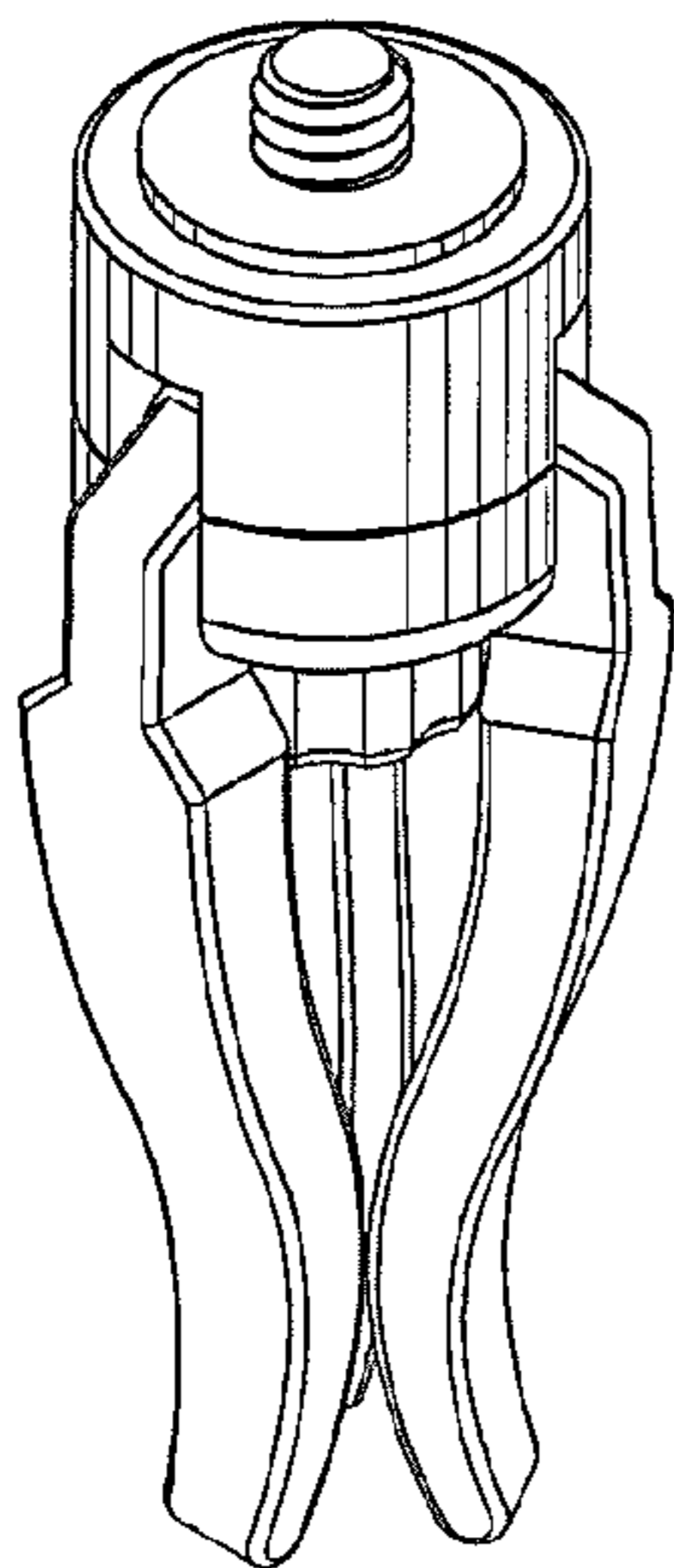


Fig. 8

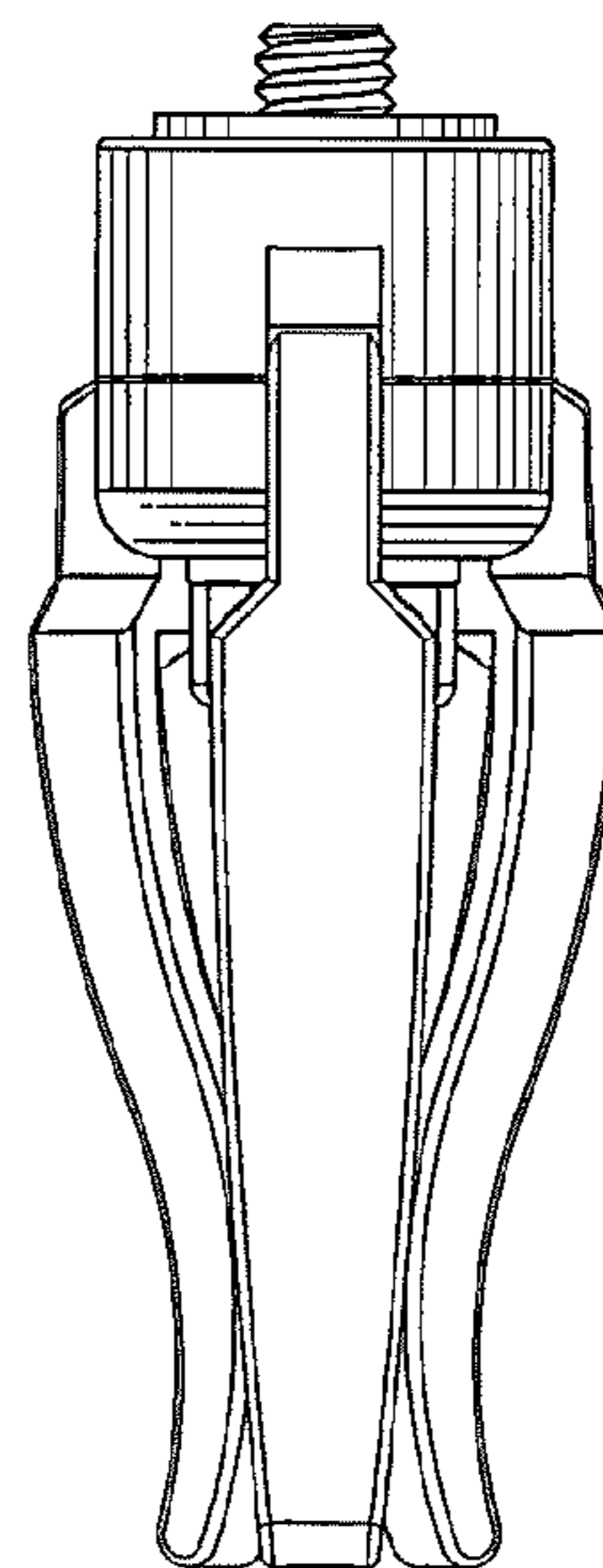


Fig. 9

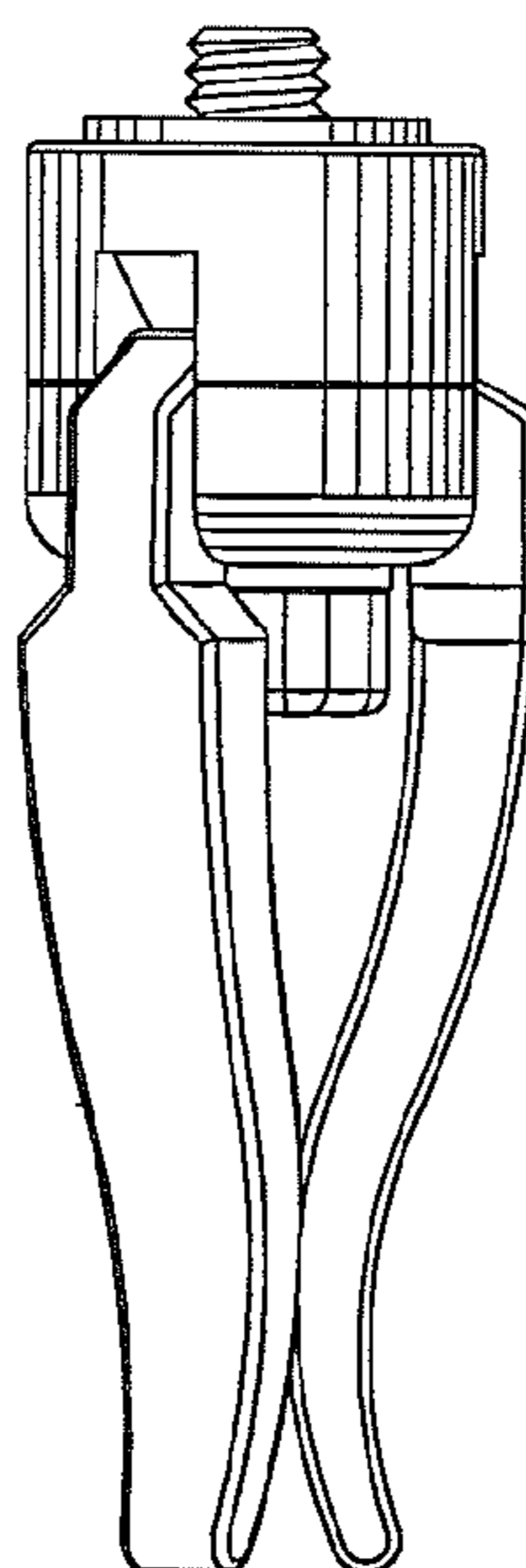


Fig. 10

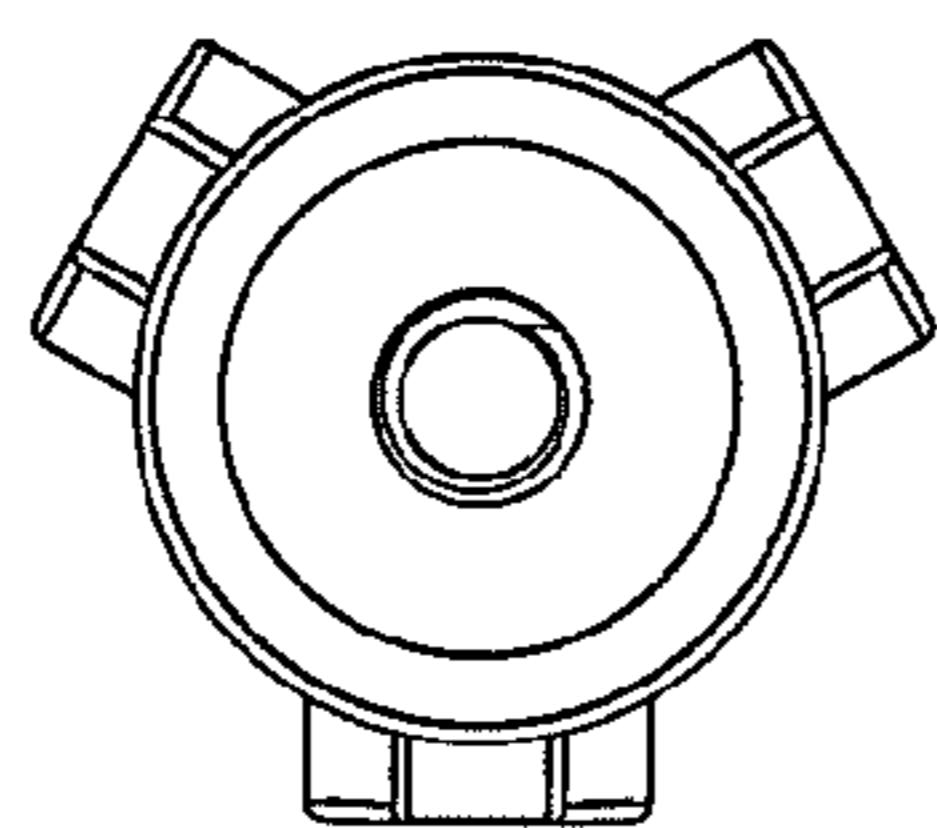


Fig. 11

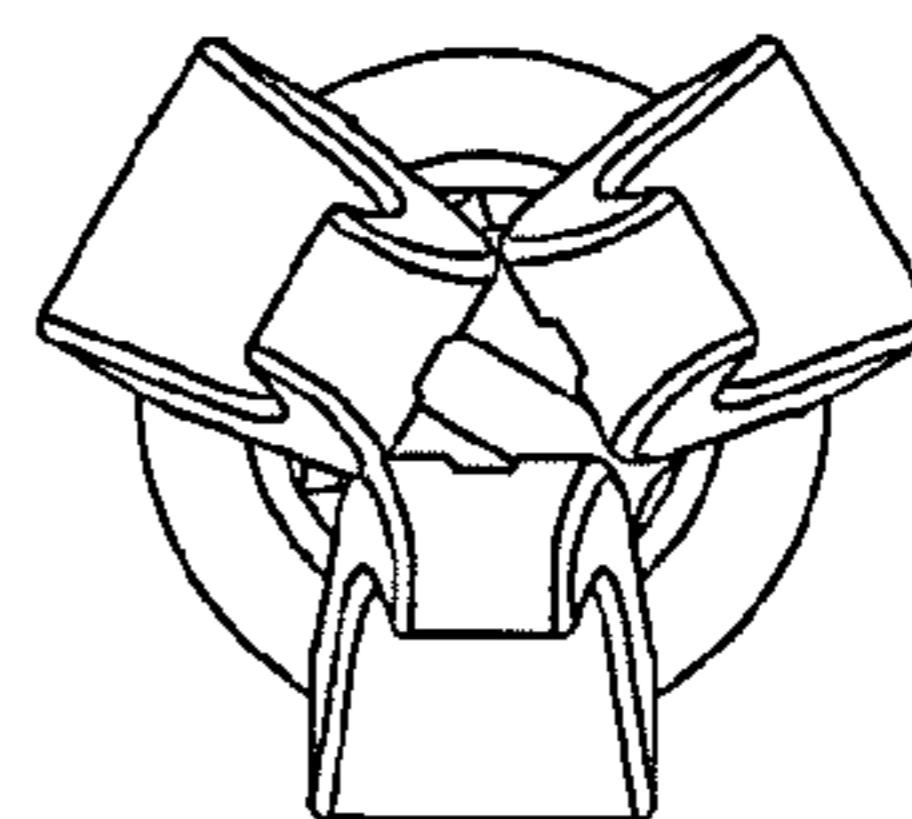


Fig. 12