



US00D706329S

(12) **United States Design Patent**
Sakai

(10) **Patent No.:** **US D706,329 S**
(45) **Date of Patent:** **** Jun. 3, 2014**

(54) **ELECTRONIC CAMERA**

(75) Inventor: **Masayuki Sakai**, Minato-ku (JP)

(73) Assignee: **FUJIFILM Corporation**, Tokyo (JP)

(**) Term: **14 Years**

(21) Appl. No.: **29/411,245**

(22) Filed: **Jan. 18, 2012**

(30) **Foreign Application Priority Data**

Jul. 19, 2011 (JP) 2011-016484

(51) **LOC (10) CL.** **16-01**

(52) **U.S. Cl.**
USPC **D16/202**

(58) **Field of Classification Search**
USPC D16/200, 202, 204, 217, 218;
348/373-376; 358/909.1; 396/535-541
See application file for complete search history.

(56) **References Cited**

U.S. PATENT DOCUMENTS

D631,496 S * 1/2011 Tainaka D16/202
D633,934 S * 3/2011 Funakoshi D16/202
D640,301 S * 6/2011 Nohara D16/218

D647,552 S * 10/2011 Ogasawara et al. D16/202
D649,997 S * 12/2011 Imai D16/202
D662,958 S * 7/2012 Fujita D16/202
8,233,082 B2 * 7/2012 Yamamoto 348/375
D676,475 S * 2/2013 Tainaka D16/200

* cited by examiner

Primary Examiner — Adir Aronovich

(74) *Attorney, Agent, or Firm* — Sughrue Mion, PLLC

(57) **CLAIM**

The ornamental design for an electronic camera, as shown and described.

DESCRIPTION

FIG. 1 is a front elevational view of an electronic camera showing my new design;
FIG. 2 is a rear elevational view thereof;
FIG. 3 is a top plan view thereof;
FIG. 4 is a bottom plan view thereof;
FIG. 5 is a left side elevational view thereof;
FIG. 6 is a right side elevational view thereof;
FIG. 7 is a top, front and right side perspective view thereof;
FIG. 8 is a top, rear and left side perspective view thereof; and,
FIG. 9 is a top, front and right side perspective view thereof, with the lens extended.

1 Claim, 9 Drawing Sheets

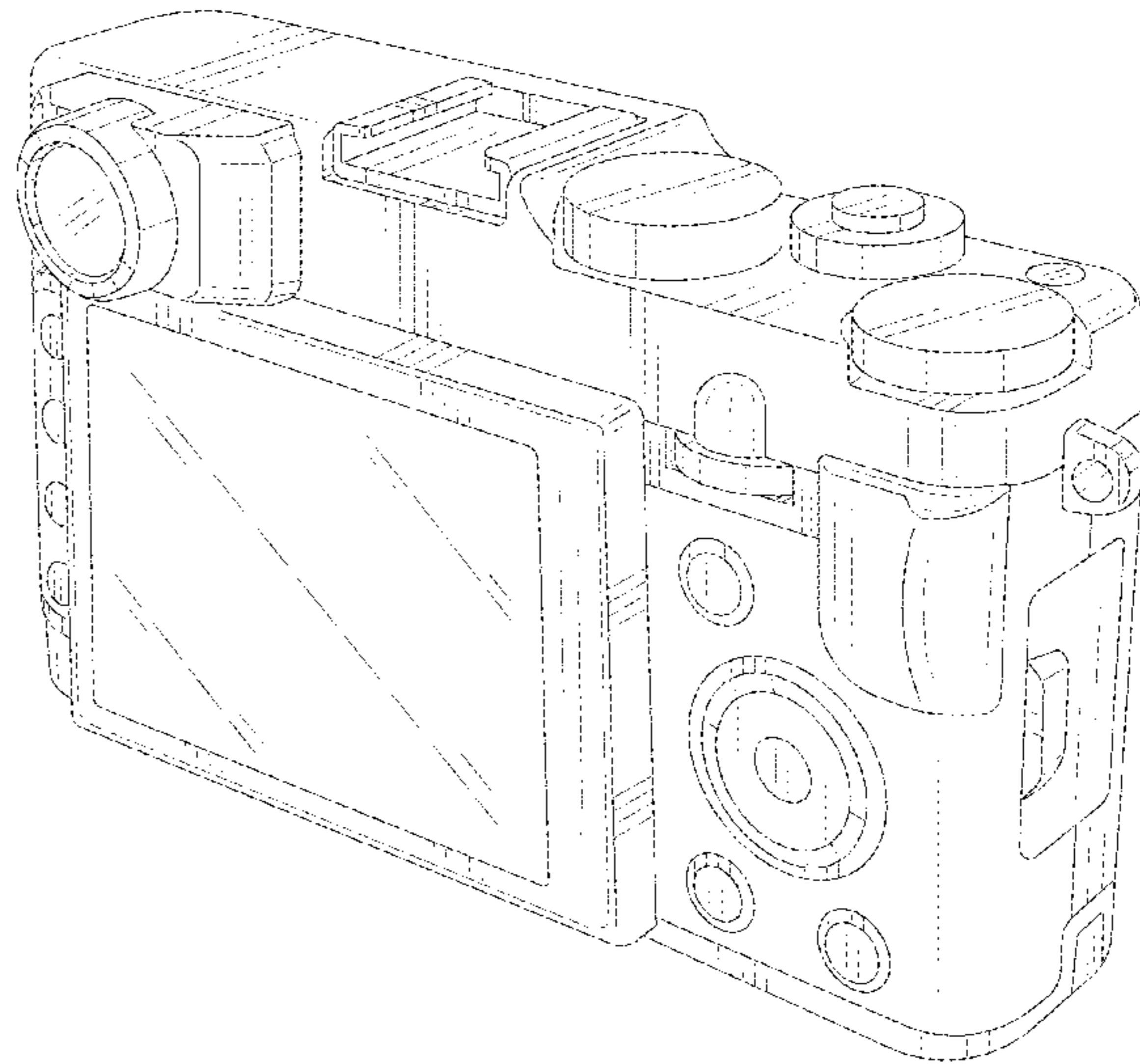
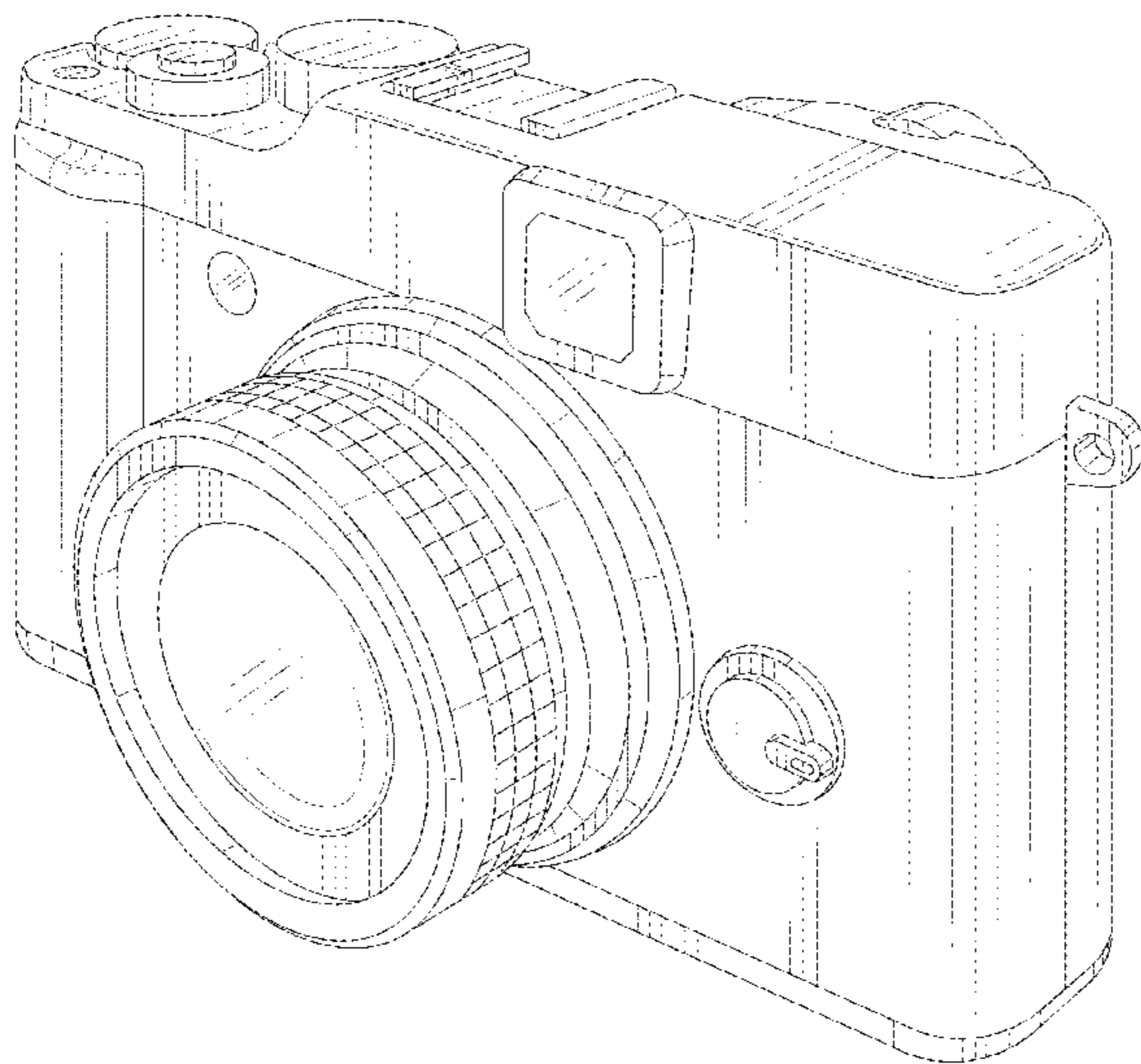


FIG. 1

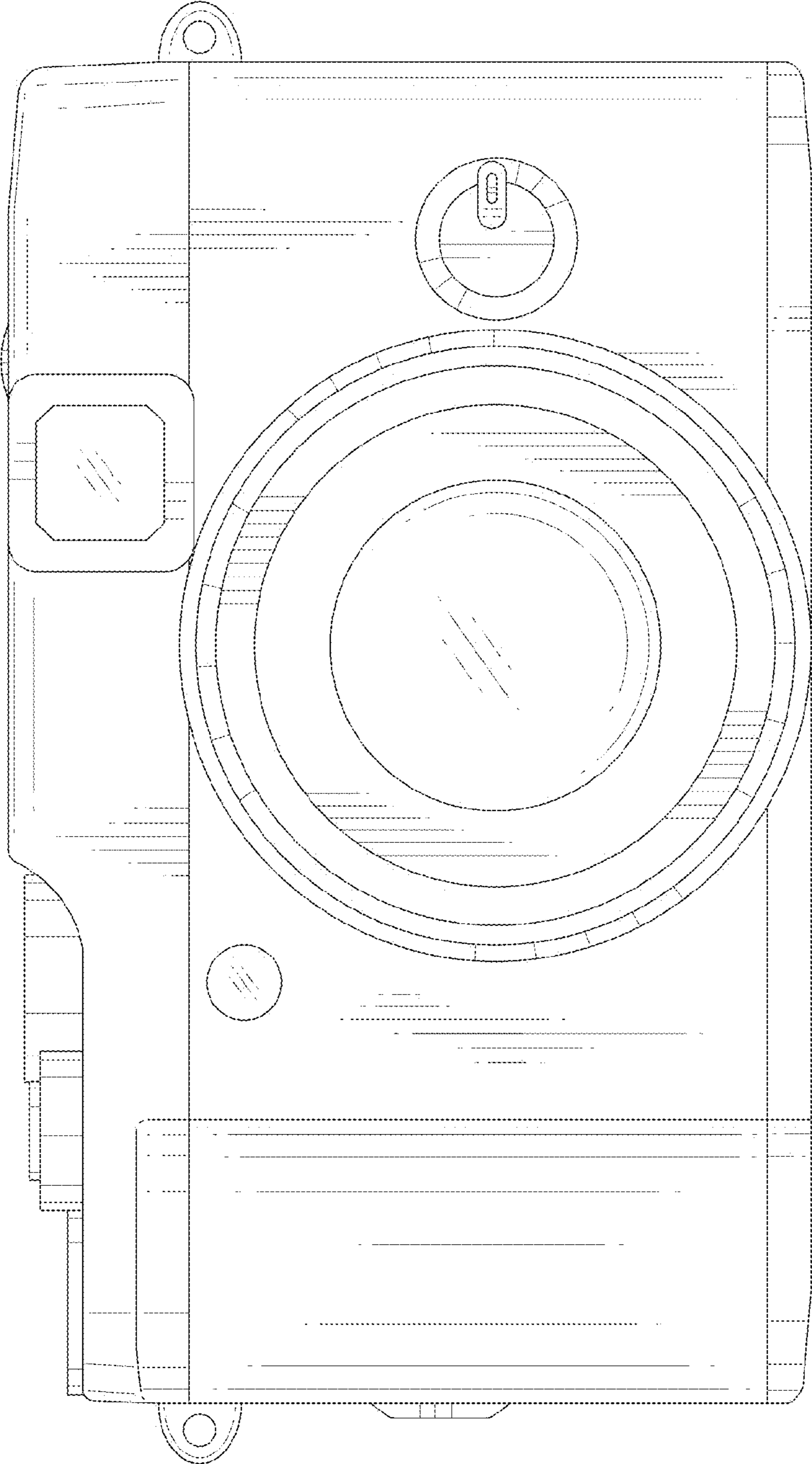


FIG. 2

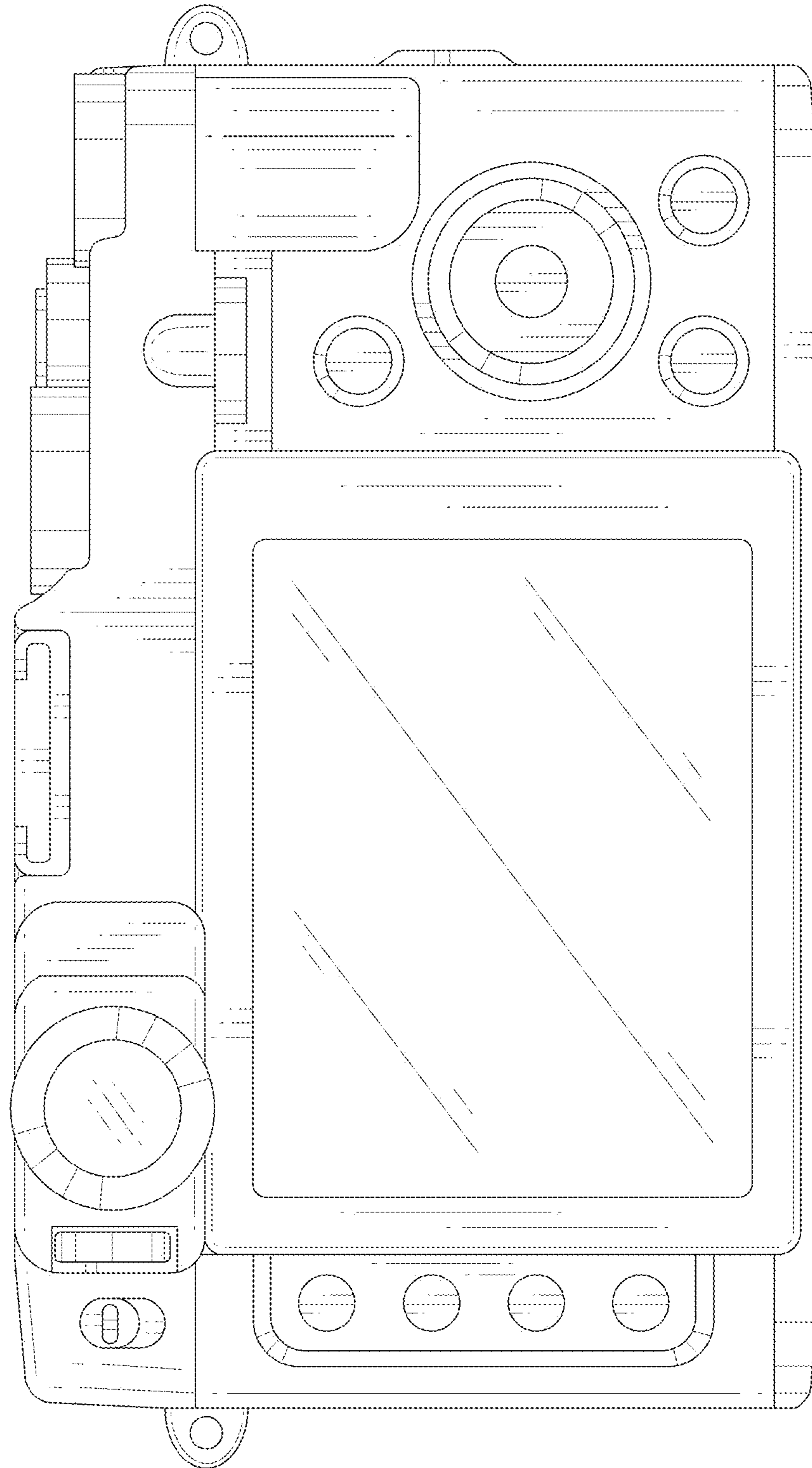


FIG. 3

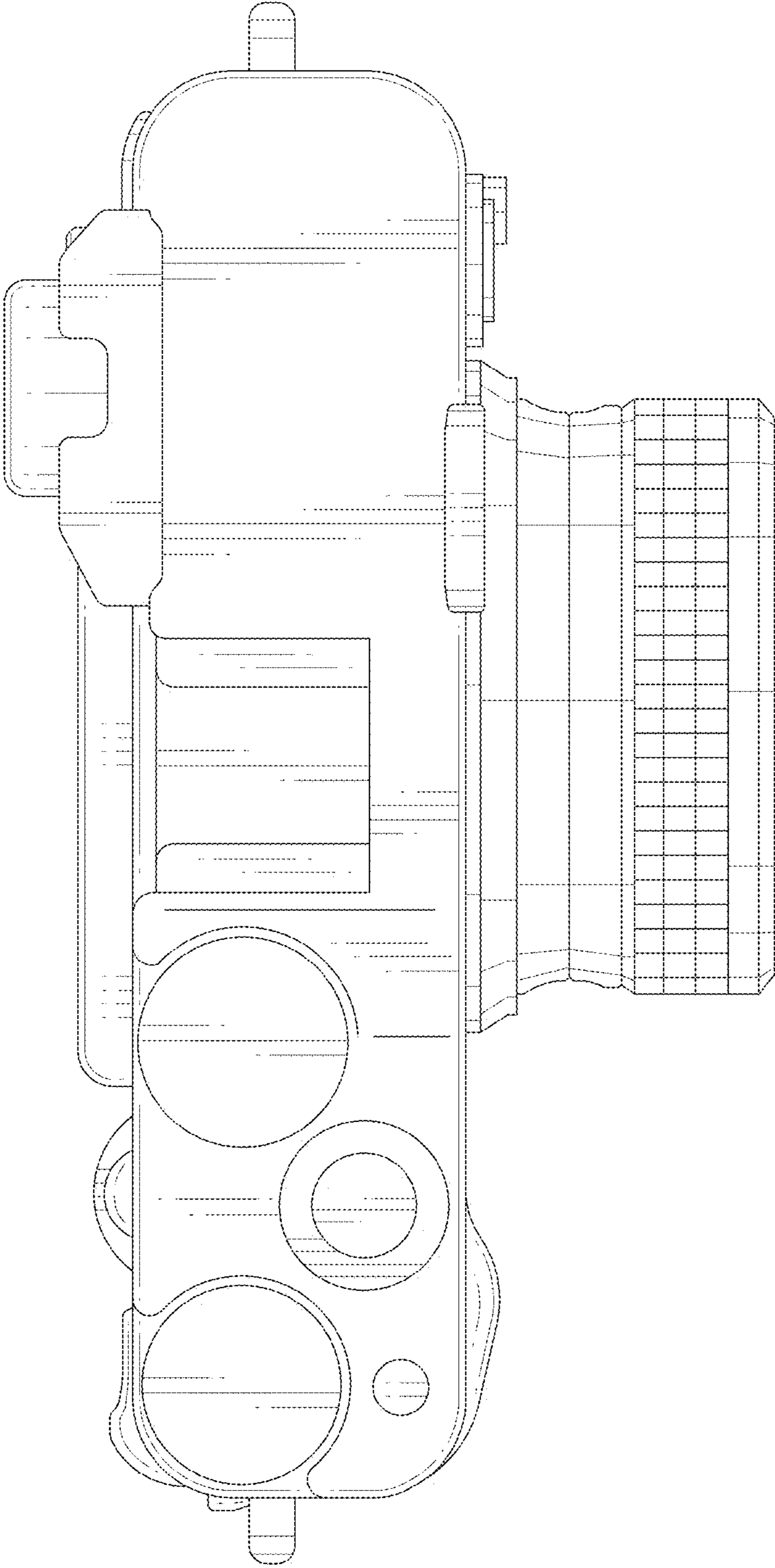


FIG. 4

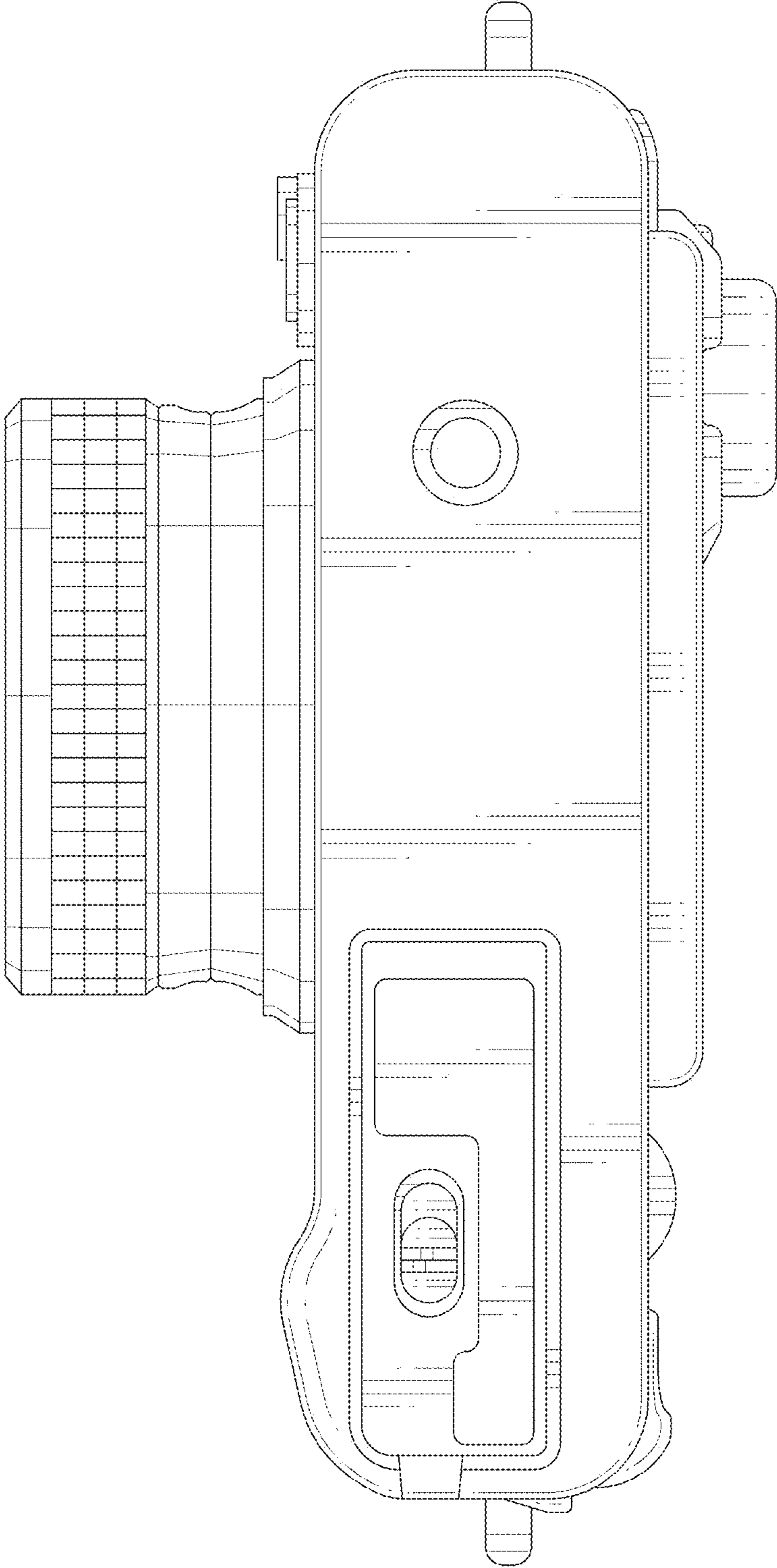


FIG. 5

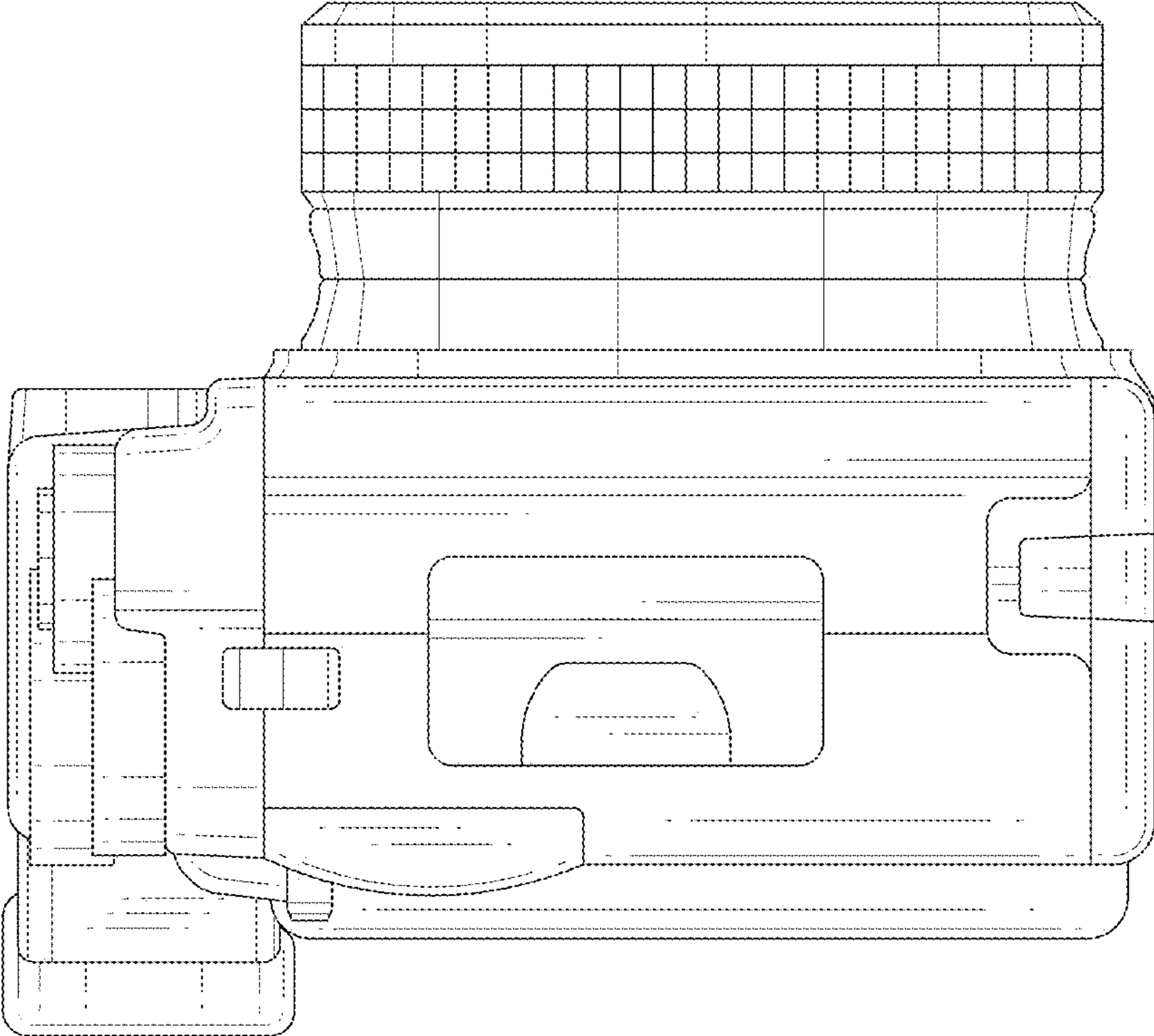


FIG. 6

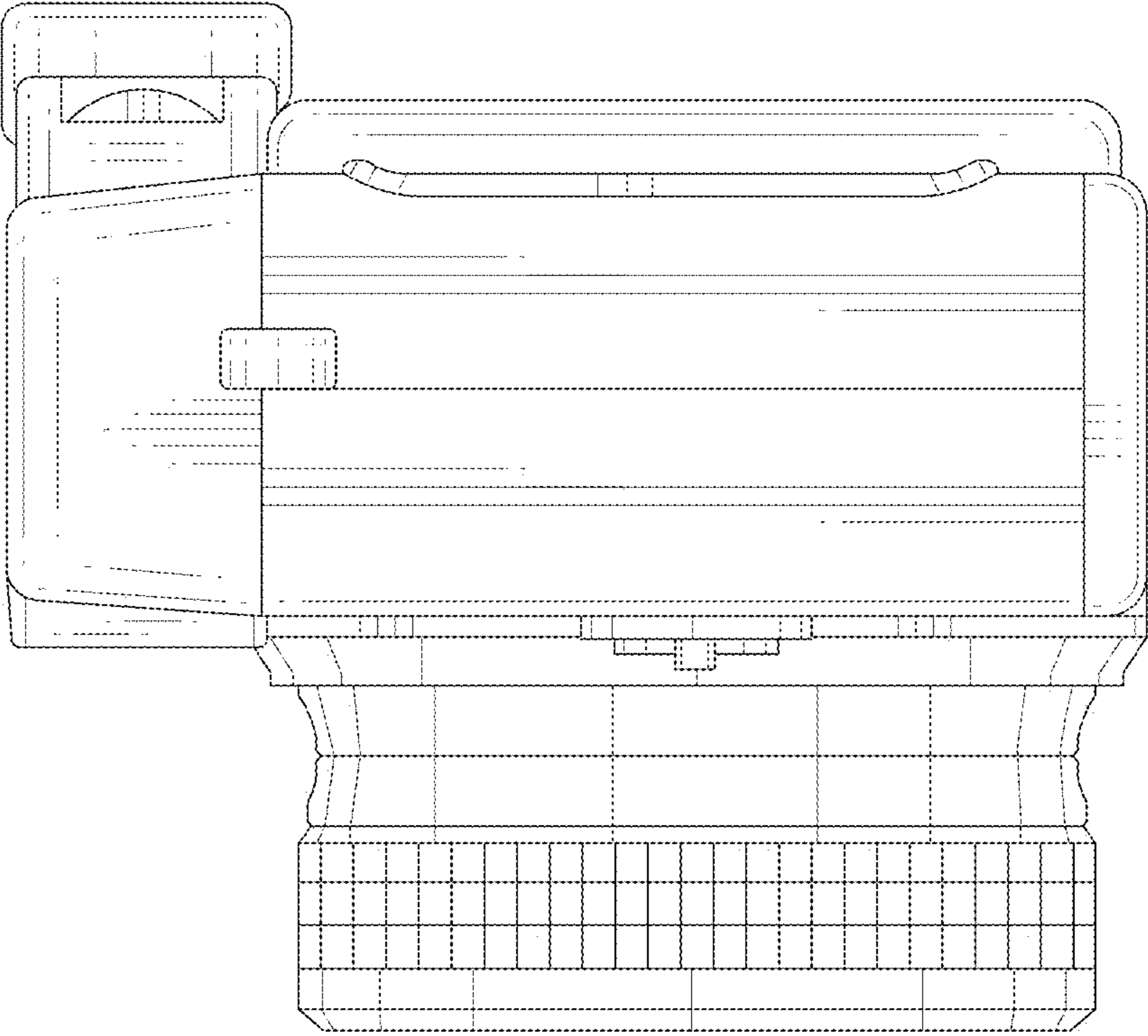


FIG. 7

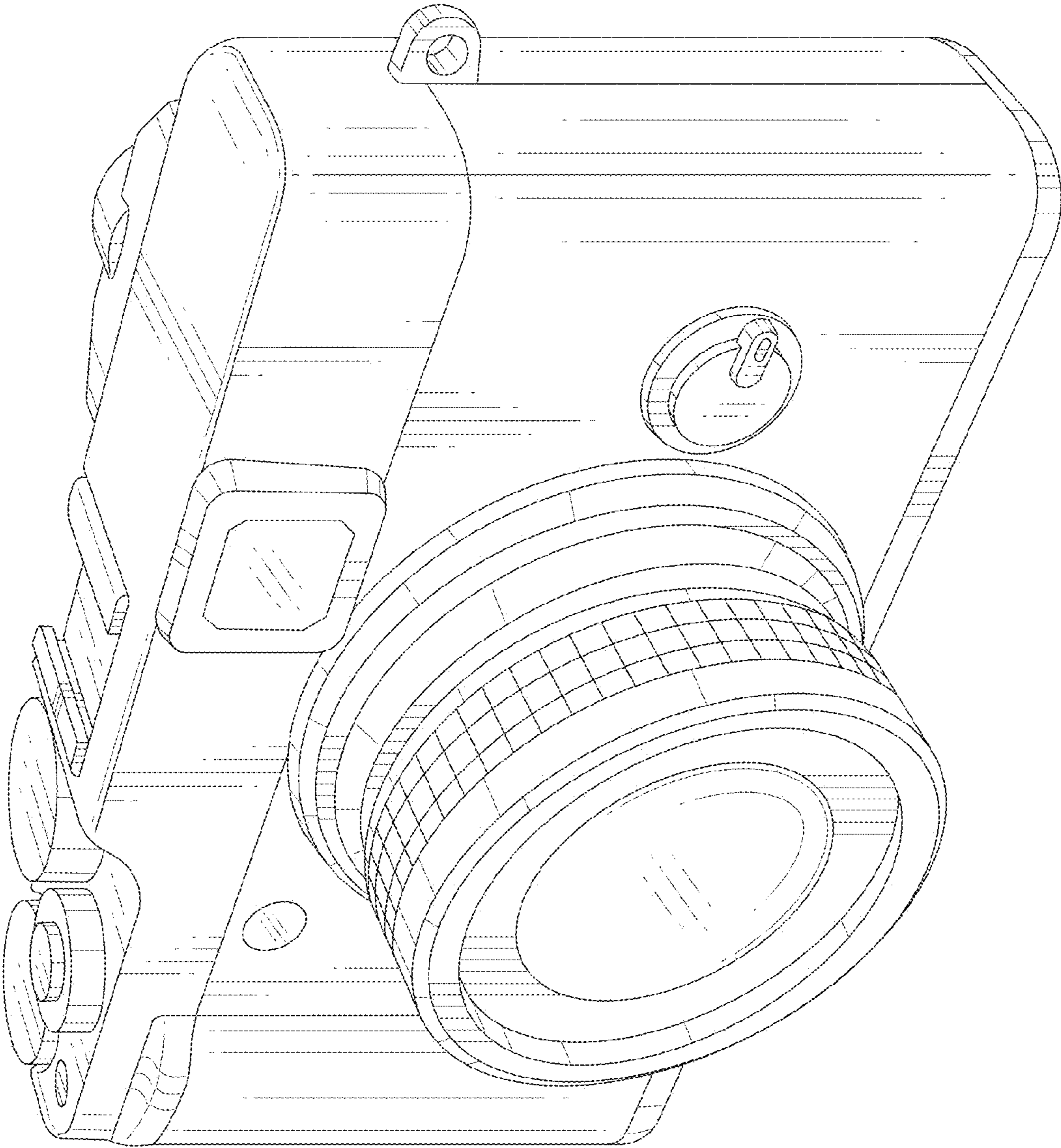


FIG. 8

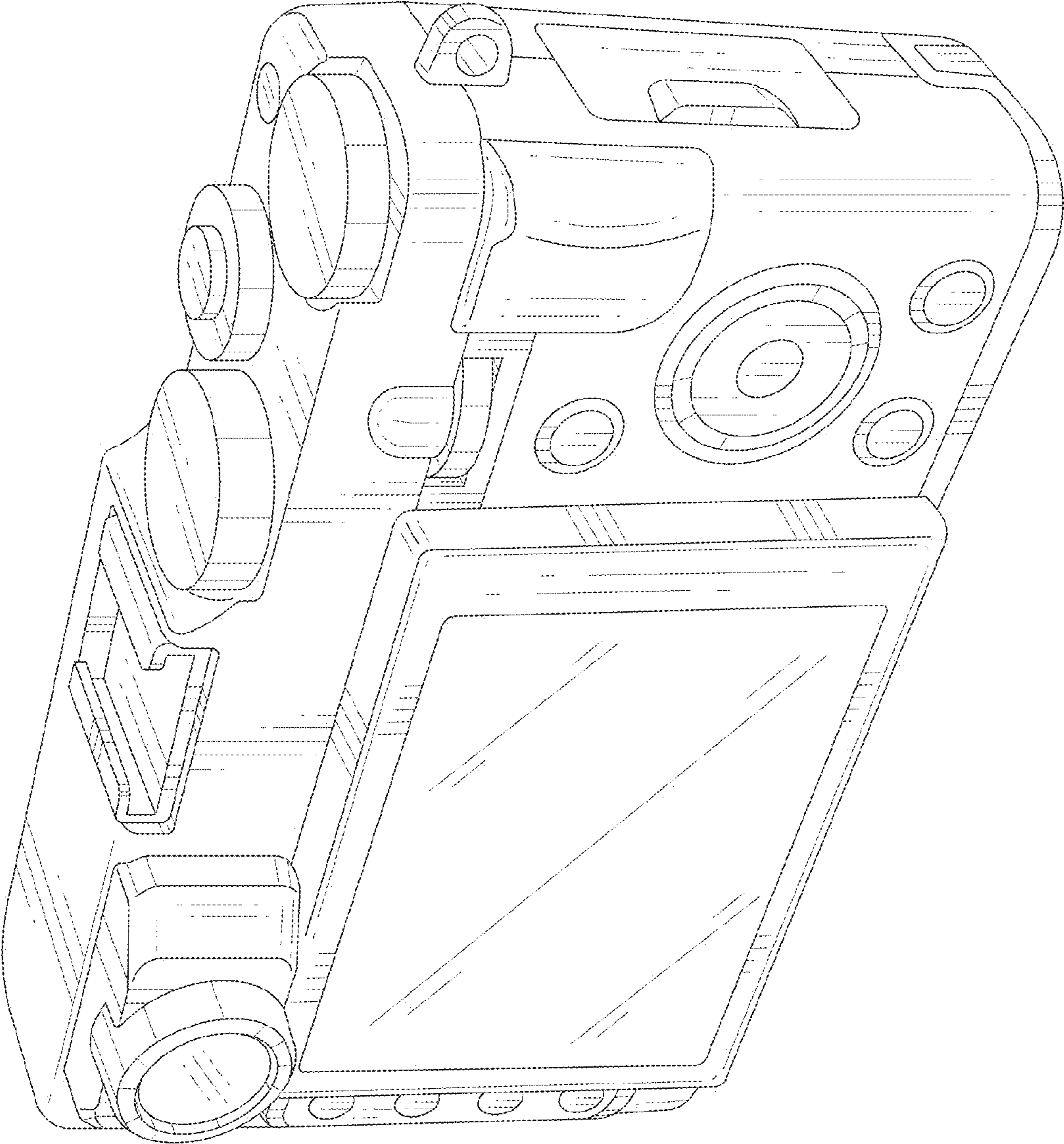


FIG. 9

