



US00D706326S

(12) **United States Design Patent**
Hasuda

(10) **Patent No.:** **US D706,326 S**
(45) **Date of Patent:** **** Jun. 3, 2014**

- (54) **CAMERA LENS**
- (71) Applicant: **Nikon Corporation**, Tokyo (JP)
- (72) Inventor: **Masanori Hasuda**, Fujisawa (JP)
- (73) Assignee: **Nikon Corporation**, Tokyo (JP)
- (**) Term: **14 Years**
- (21) Appl. No.: **29/451,773**
- (22) Filed: **Apr. 8, 2013**

Related U.S. Application Data

- (62) Division of application No. 29/412,565, filed on Feb. 6, 2012.

Foreign Application Priority Data

- Aug. 10, 2011 (JP) 2011-018385
- Sep. 7, 2011 (JP) 2011-020419
- Sep. 7, 2011 (JP) 2011-020420
- Sep. 7, 2011 (JP) 2011-020421
- Sep. 7, 2011 (JP) 2011-020422

- (51) **LOC (10) Cl.** **16-01**
- (52) **U.S. Cl.**
USPC **D16/134**

- (58) **Field of Classification Search**
USPC D16/130, 134, 136, 200, 202, 204, 218,
D16/219; 359/642, 811, 819, 827, 828, 830;
396/529, 530, 531, 532; 348/373, 374,
348/375, 376; 358/909.1
See application file for complete search history.

(56) **References Cited**

U.S. PATENT DOCUMENTS

- 4,063,264 A * 12/1977 Ando et al. 396/531
- 4,118,713 A * 10/1978 Murakami et al. 396/227

- D251,669 S * 4/1979 Ueda et al. D16/134
- 5,262,899 A * 11/1993 Iizuka 359/811
- 5,481,406 A * 1/1996 Yamazaki et al. 359/694
- 5,570,153 A * 10/1996 Shono 396/531
- D375,969 S * 11/1996 Watanabe D16/134
- D390,857 S * 2/1998 Hayamizu D16/134
- D420,029 S * 2/2000 Kimura et al. D16/134
- D425,088 S * 5/2000 Watanabe D16/134
- D433,044 S * 10/2000 Nagaoka et al. D16/134
- D441,382 S * 5/2001 Konno et al. D16/134
- 6,369,960 B2 * 4/2002 Azegami 359/819
- 6,554,503 B2 * 4/2003 Imanari et al. 396/531
- D482,377 S * 11/2003 Tajima D16/134
- D523,057 S * 6/2006 Watanabe D16/219
- D537,096 S * 2/2007 Tokiwa et al. D16/219
- D537,461 S * 2/2007 Tokiwa et al. D16/219
- D539,320 S * 3/2007 Tokiwa et al. D16/219
- D540,363 S * 4/2007 Tokiwa et al. D16/219
- D549,263 S * 8/2007 Tokiwa et al. D16/219
- D549,264 S * 8/2007 Tokiwa D16/219
- D552,147 S * 10/2007 Tajima D16/219

(Continued)

Primary Examiner — Phillip S Hyder
(74) *Attorney, Agent, or Firm* — Wolf, Greenfield & Sacks, P.C.; Randy J. Pritzker

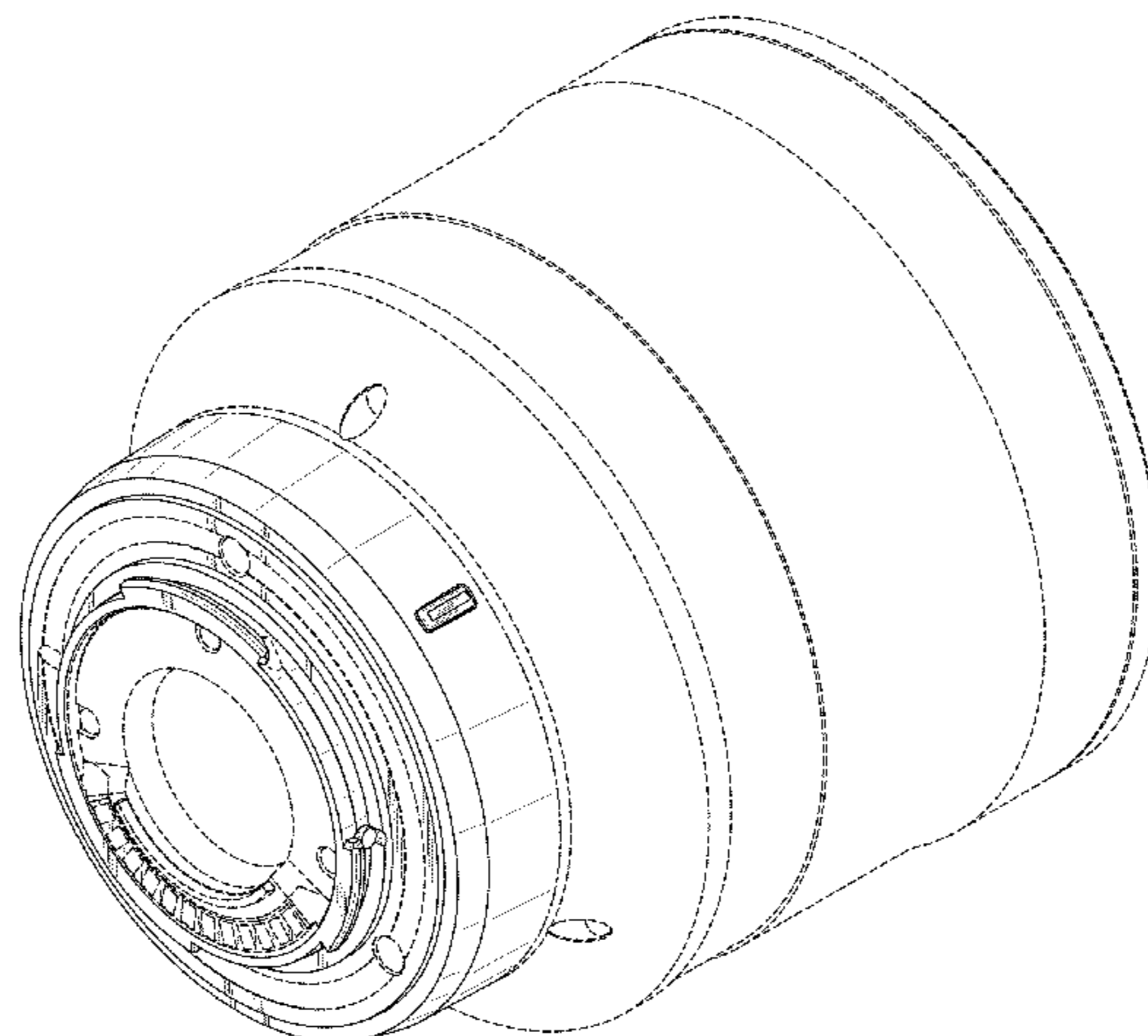
(57) **CLAIM**

The ornamental design for a camera lens, as shown and described.

DESCRIPTION

FIG. 1 is a perspective view of a first embodiment of a camera lens showing my new design;
FIG. 2 is a rear elevational view thereof;
FIG. 3 is a top plan view thereof;
FIG. 4 is a bottom plan view thereof;
FIG. 5 is a right side elevational view thereof; and,
FIG. 6 is a left side elevational view thereof.
The features shown in broken lines in the drawings depict environmental subject matter only and form no part of the claimed design.

1 Claim, 6 Drawing Sheets



(56)

References Cited

U.S. PATENT DOCUMENTS

D559,884 S *	1/2008	Tokiwa	D16/219	7,988,372 B2 *	8/2011	Lee et al.	396/531
7,593,169 B2 *	9/2009	Ouchi	359/702	8,002,483 B2 *	8/2011	Fujiwara et al.	396/531
7,625,144 B2 *	12/2009	Kranz et al.	396/529	8,027,576 B2 *	9/2011	Lai	396/25
7,798,731 B2 *	9/2010	Kurosawa	396/505	D665,837 S *	8/2012	Tainaka	D16/219
7,848,634 B2 *	12/2010	Kranz et al.	396/310	D670,751 S *	11/2012	Koyama et al.	D16/219
7,853,137 B2 *	12/2010	Yang	396/71	D671,586 S *	11/2012	Asano et al.	D16/219
7,961,411 B2 *	6/2011	Lee	359/819	2010/0226023 A1 *	9/2010	Lee	359/819
					2011/0274424 A1 *	11/2011	Fujiwara et al.	396/532
					2012/0039595 A1 *	2/2012	Youn	396/529

* cited by examiner

FIG. 1

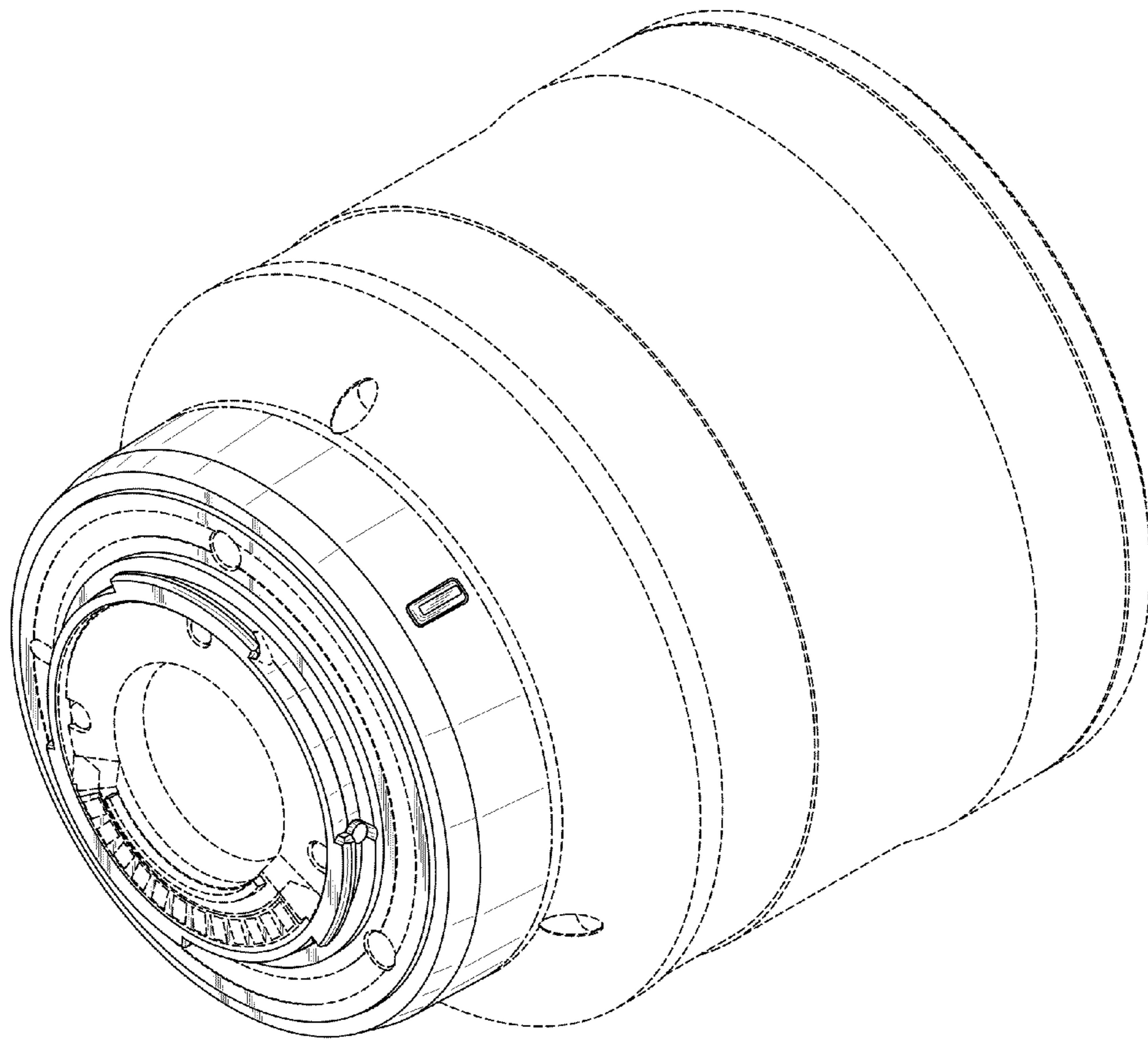


FIG. 2

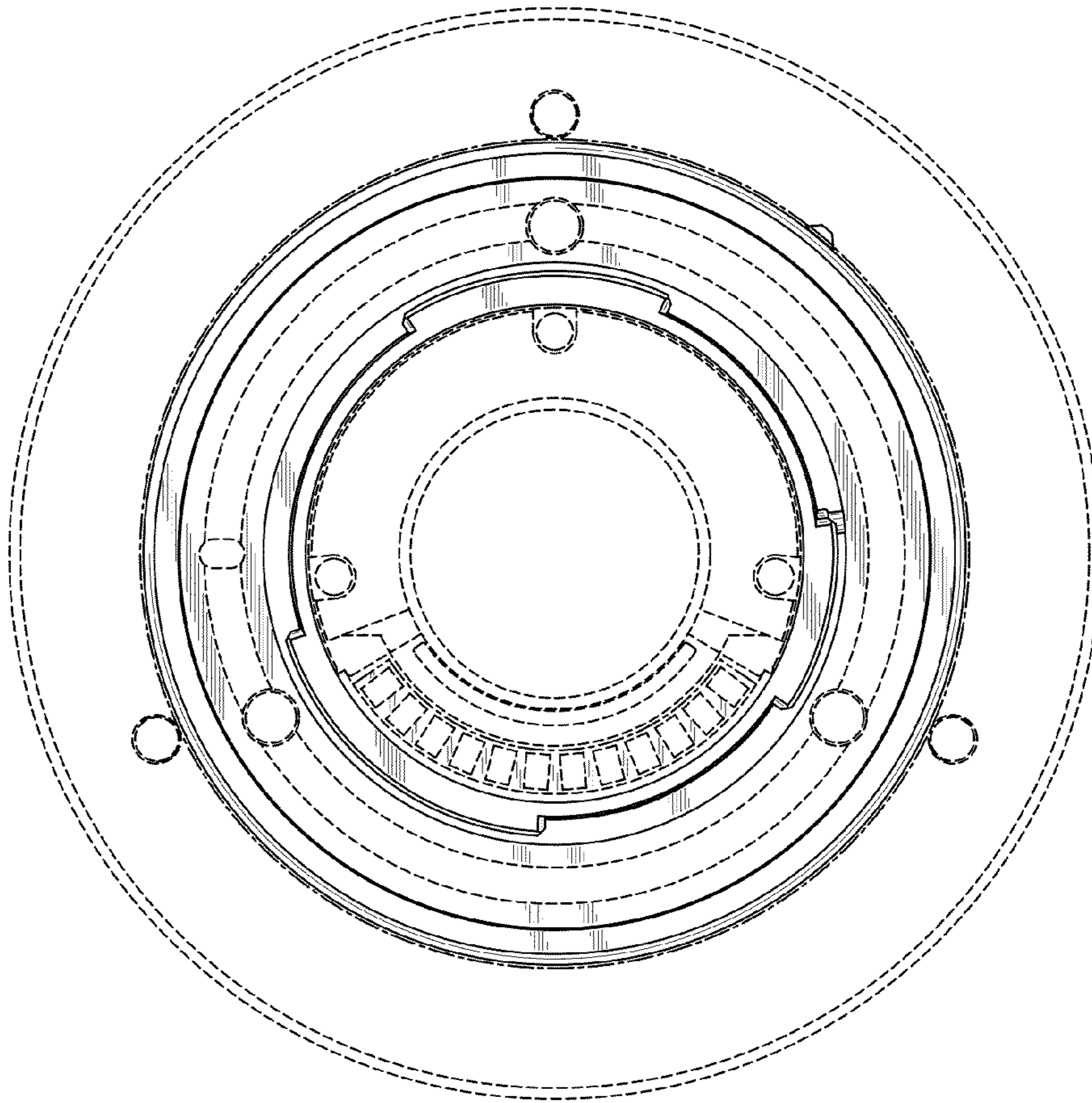


FIG. 3

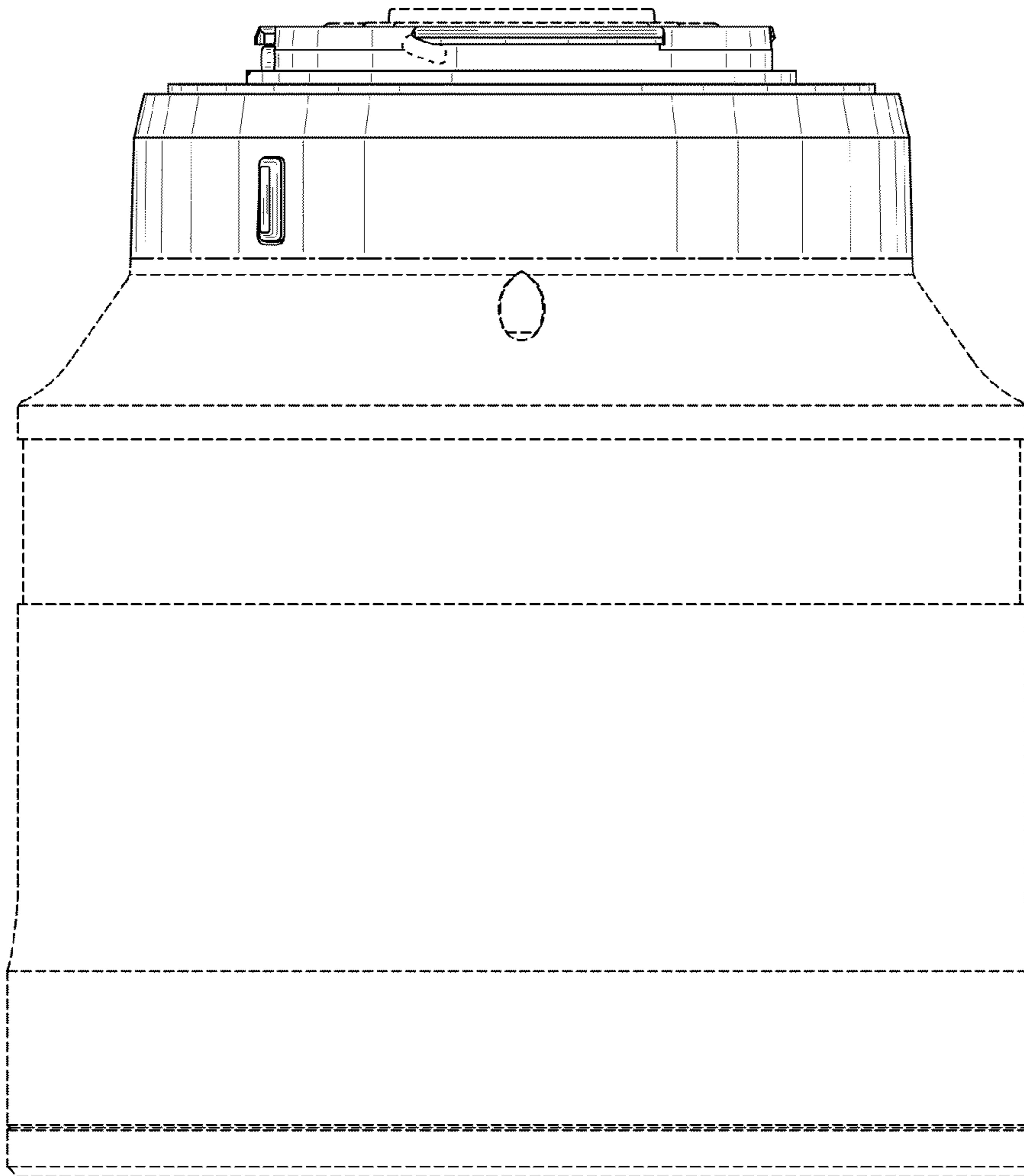


FIG. 4

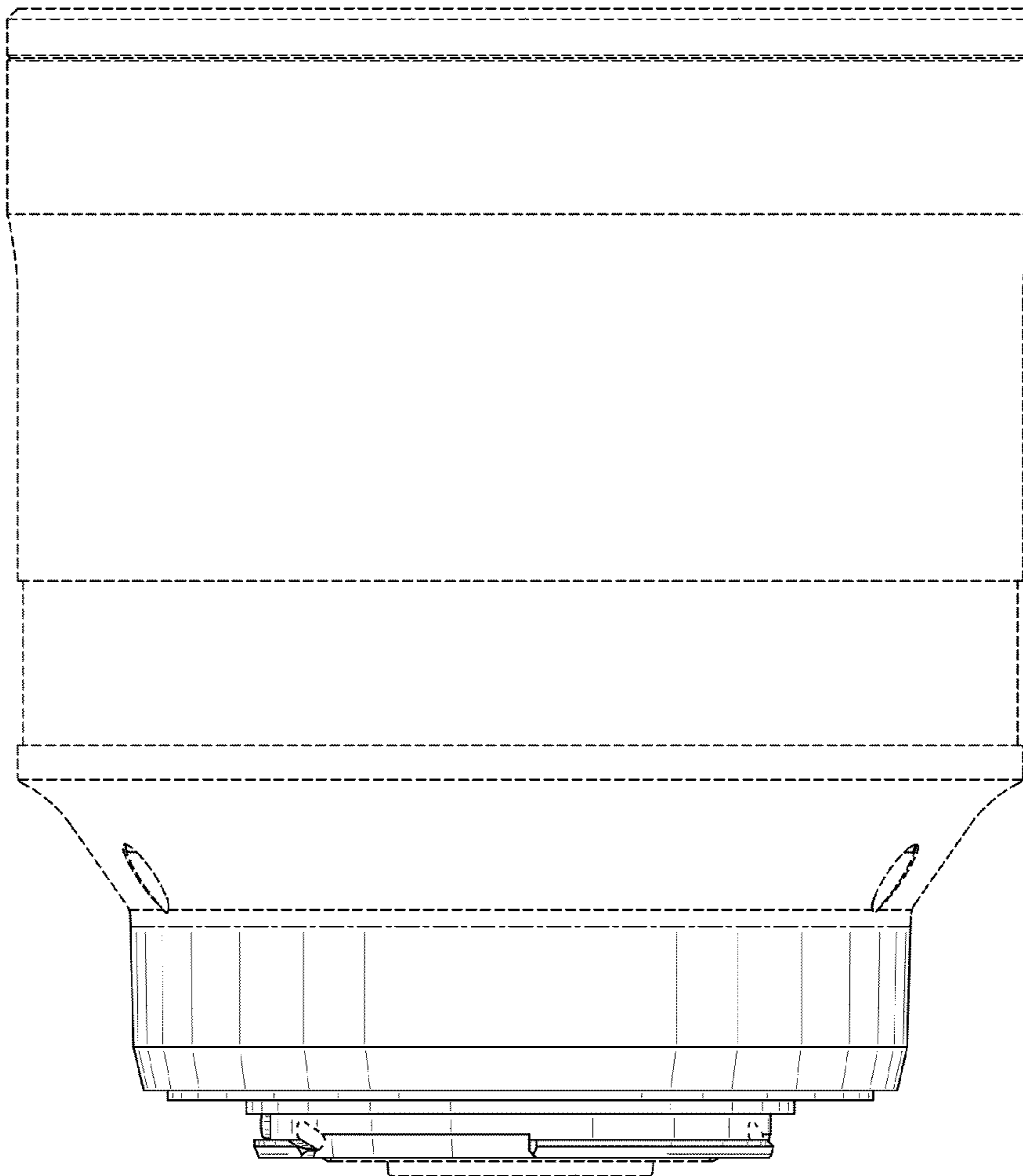


FIG. 5

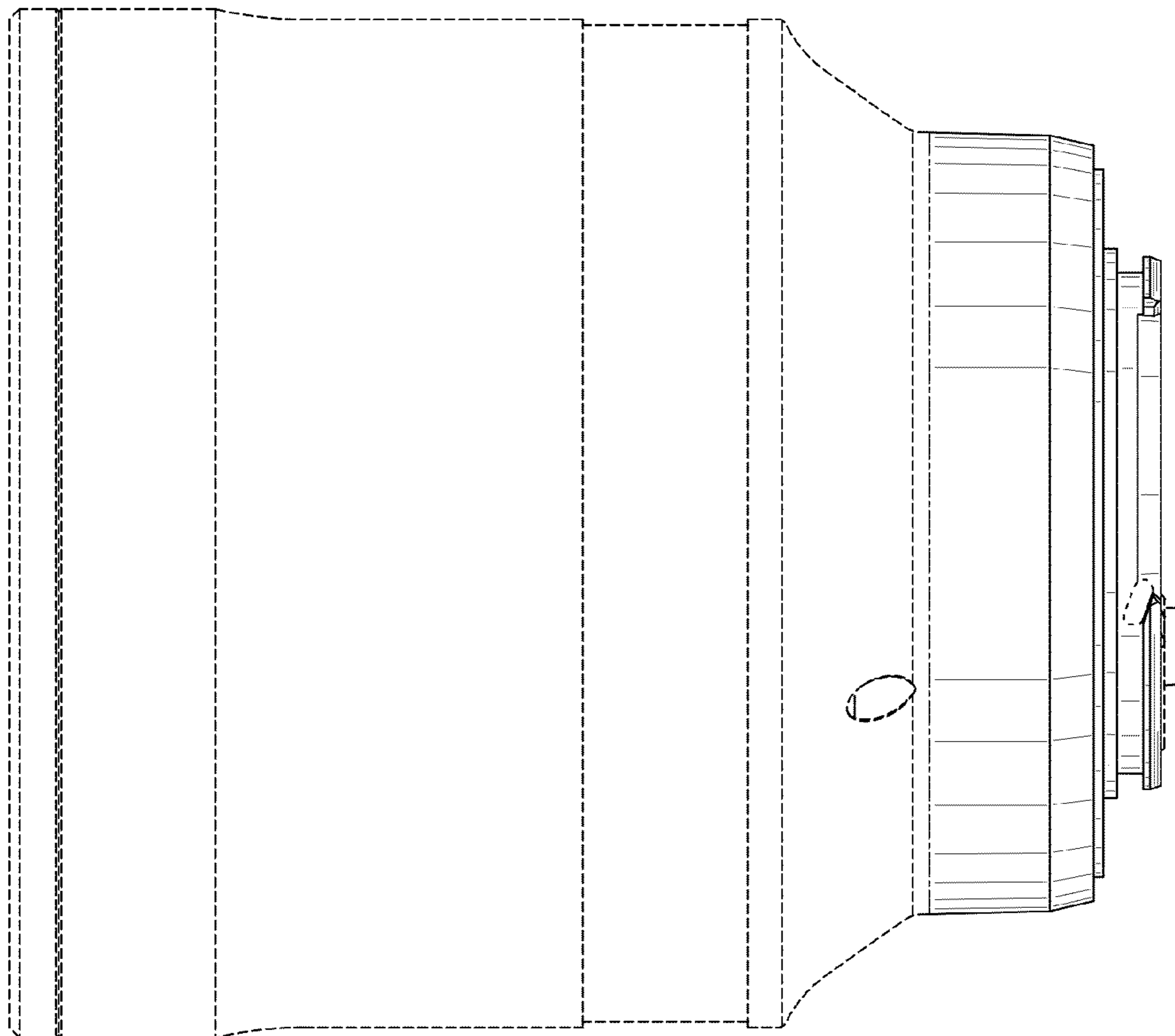


FIG. 6

