



US00D706325S

(12) **United States Design Patent**
Wada et al.

(10) **Patent No.:** **US D706,325 S**
(45) **Date of Patent:** **** Jun. 3, 2014**

(54) **MOTOR ACTUATOR**

(71) Applicant: **ASMO Co., Ltd.**, Shizuoka-ken (JP)

(72) Inventors: **Katsuyuki Wada**, Kosai (JP);
Tomonobu Hyodo, Kosai (JP); **Hiroto Inoue**, Toyohashi (JP)

(73) Assignee: **ASMO Co., Ltd.**, Shizuoka-ken (JP)

(**) Term: **14 Years**

(21) Appl. No.: **29/477,010**

(22) Filed: **Dec. 18, 2013**

(30) **Foreign Application Priority Data**

Jun. 20, 2013 (JP) 2013-013931

(51) **LOC (10) Cl.** **15-09**

(52) **U.S. Cl.**
USPC **D15/148**

(58) **Field of Classification Search**
USPC D13/158, 162, 171, 174, 184; D15/5, 7,
D15/9, 143, 148, 199
See application file for complete search history.

(56) **References Cited**

U.S. PATENT DOCUMENTS

6,028,384	A *	2/2000	Billman et al.	310/83
D587,661	S *	3/2009	Blakesley	D13/174
D660,891	S *	5/2012	Sannomiya	D15/143
D680,141	S *	4/2013	Sannomiya	D15/148
2002/0111241	A1 *	8/2002	Kujira et al.	475/149
2002/0130567	A1 *	9/2002	Kujira	310/68 B
2007/0103010	A1 *	5/2007	Kouzu et al.	310/51

2008/0257086	A1 *	10/2008	Noritake	74/422
2011/0089789	A1 *	4/2011	Tang et al.	310/68 B
2011/0156545	A1 *	6/2011	Wen et al.	310/68 B
2012/0025643	A1 *	2/2012	Shibusawa et al.	310/71
2012/0098364	A1 *	4/2012	Inoue	310/71
2012/0139371	A1 *	6/2012	Gottschalk et al.	310/71
2012/0161561	A1 *	6/2012	Kuhnen et al.	310/72
2012/0212080	A1 *	8/2012	Jiang et al.	310/43
2013/0008276	A1 *	1/2013	Horikawa et al.	74/427
2013/0057122	A1 *	3/2013	Huck	310/68 R
2013/0104682	A1 *	5/2013	Schneider	74/421 A
2013/0154413	A1 *	6/2013	Schweichart et al.	310/88
2013/0220073	A1 *	8/2013	Suto et al.	74/606 R
2013/0257185	A1 *	10/2013	Akutsu et al.	310/43

* cited by examiner

Primary Examiner — Patricia Palasik

(74) *Attorney, Agent, or Firm* — Christensen Fonder P.A.

(57) **CLAIM**

We claim the ornamental design for a motor actuator, as shown and described.

DESCRIPTION

FIG. 1 is a front, top, and right side perspective view of a motor actuator showing our new design;
FIG. 2 is a rear, bottom, and left side perspective view thereof;
FIG. 3 is a front view thereof;
FIG. 4 is a rear view thereof;
FIG. 5 is a top plan view thereof;
FIG. 6 is a bottom plan view thereof;
FIG. 7 is a right side view thereof; and,
FIG. 8 is a left side view thereof.
The features shown in broken lines in the drawings depict environmental subject matter only and form no part of the claimed design.

1 Claim, 6 Drawing Sheets

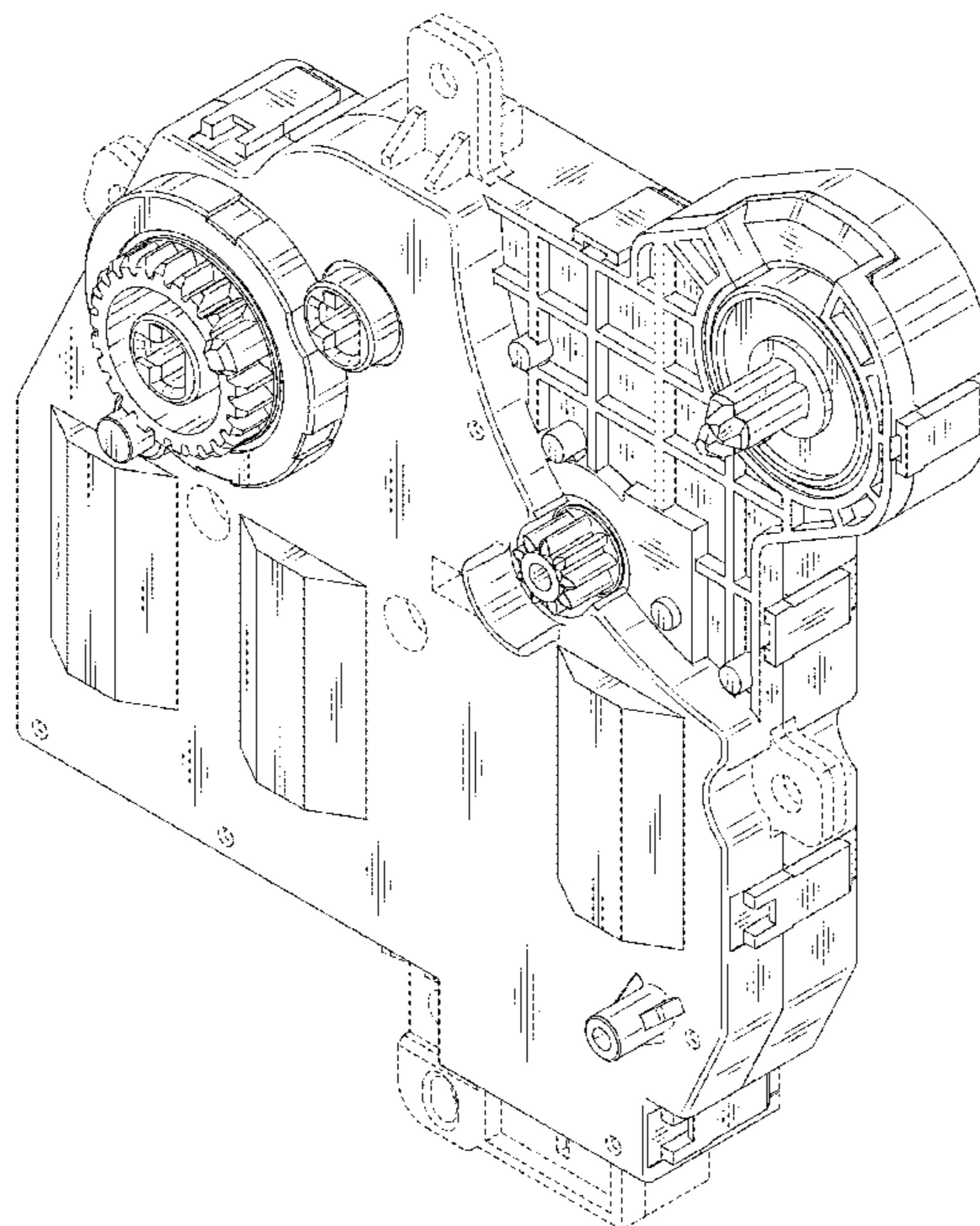


FIG. 1

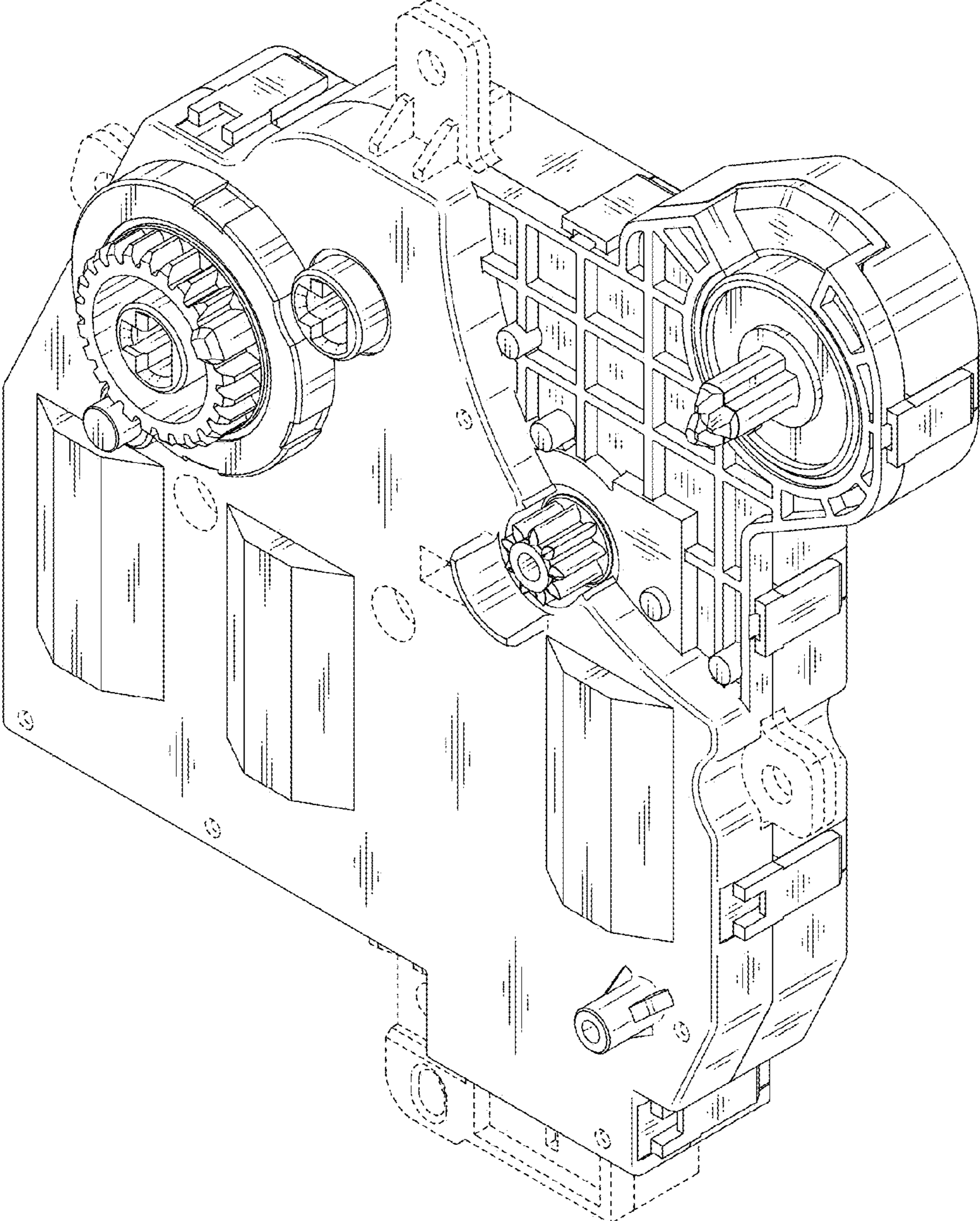


FIG. 2

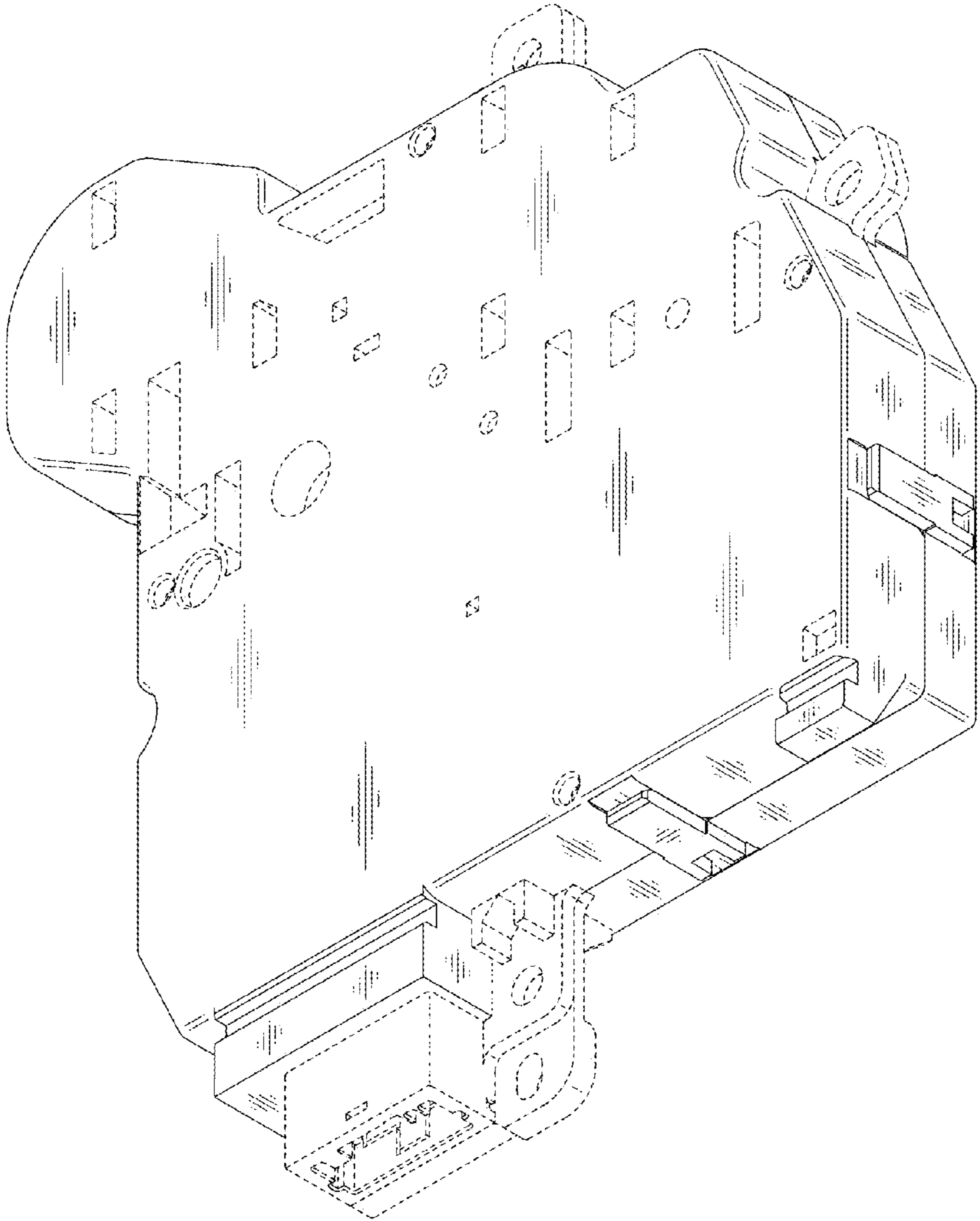


FIG. 3

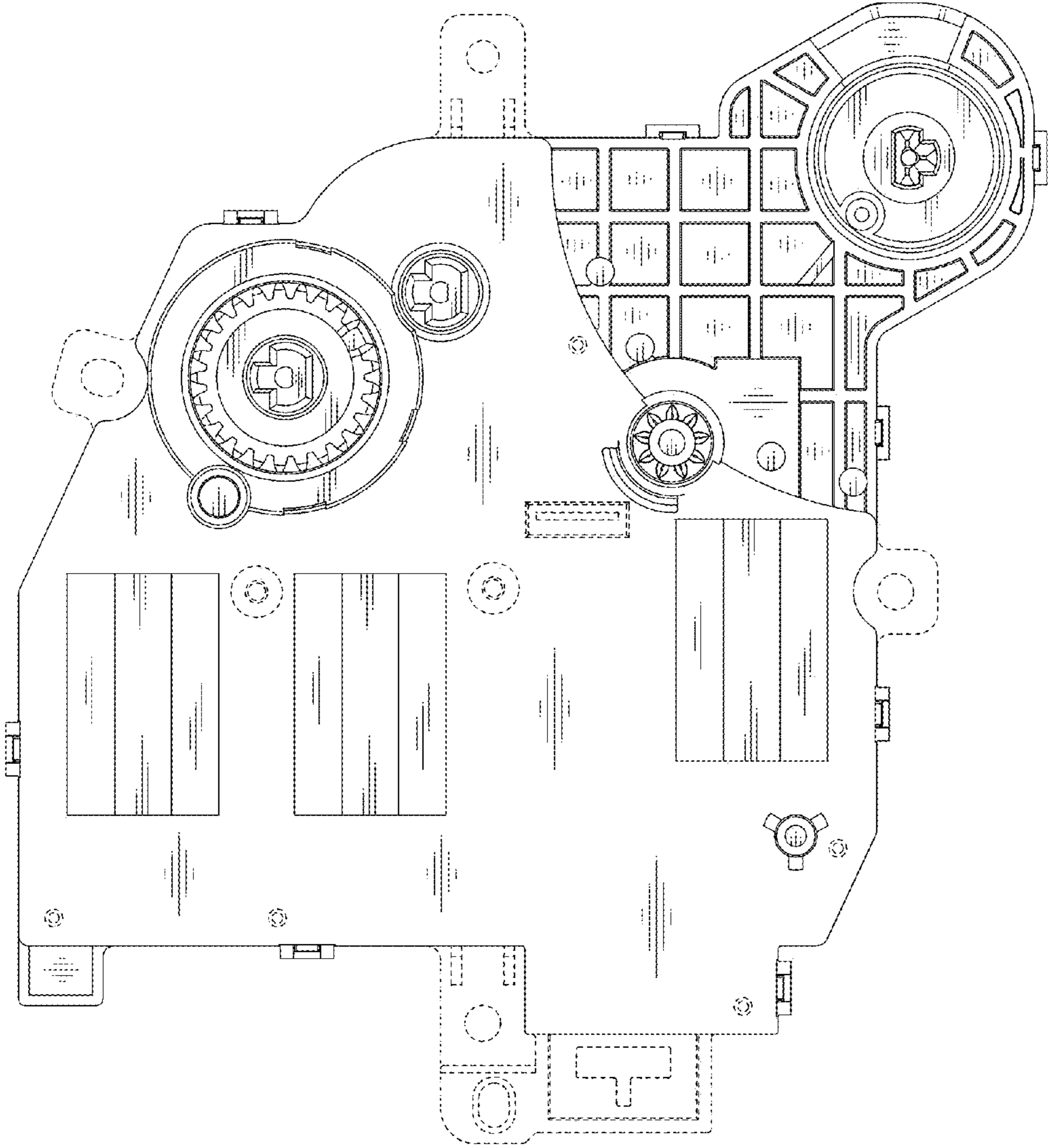


FIG. 4

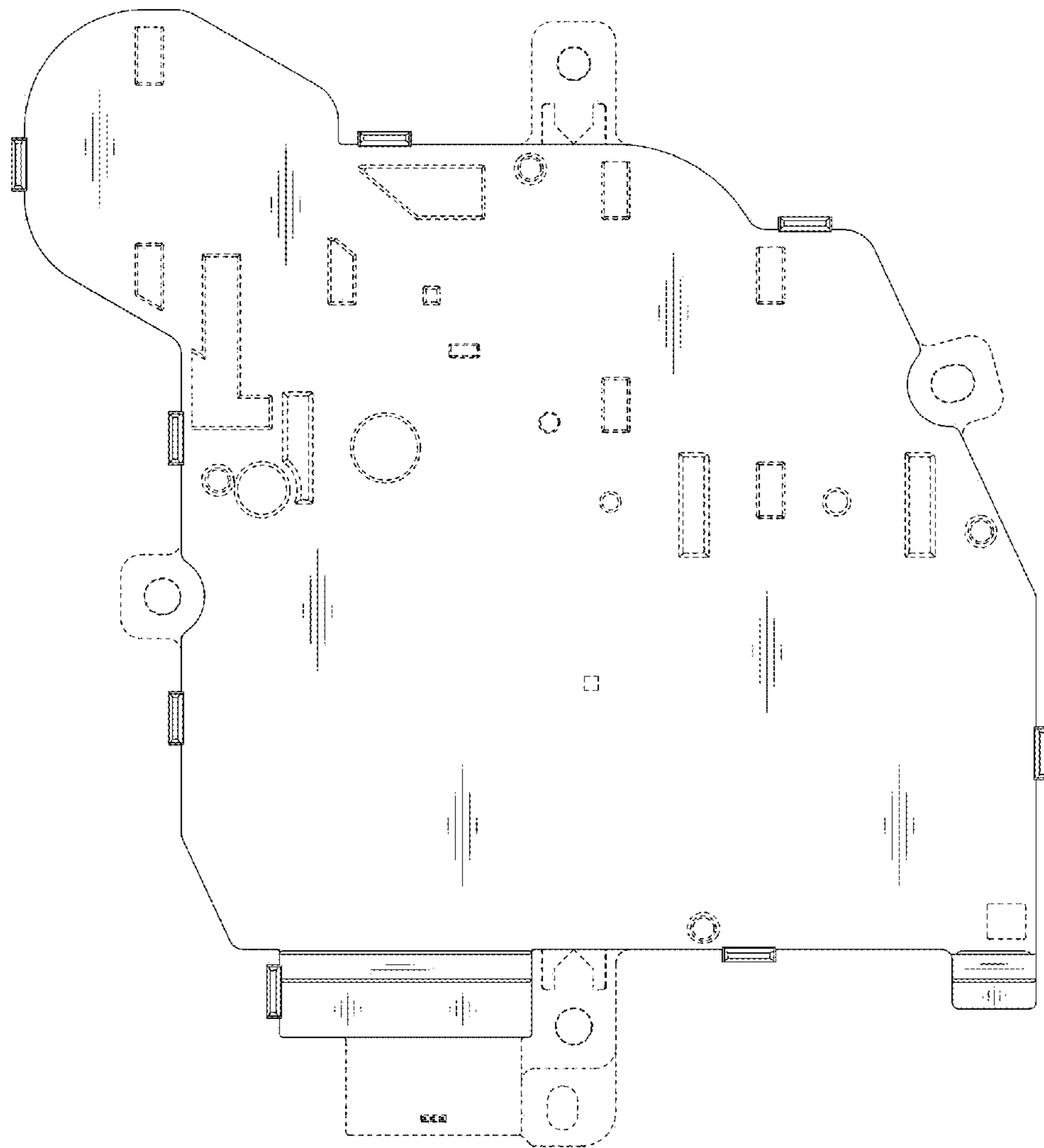


FIG. 5

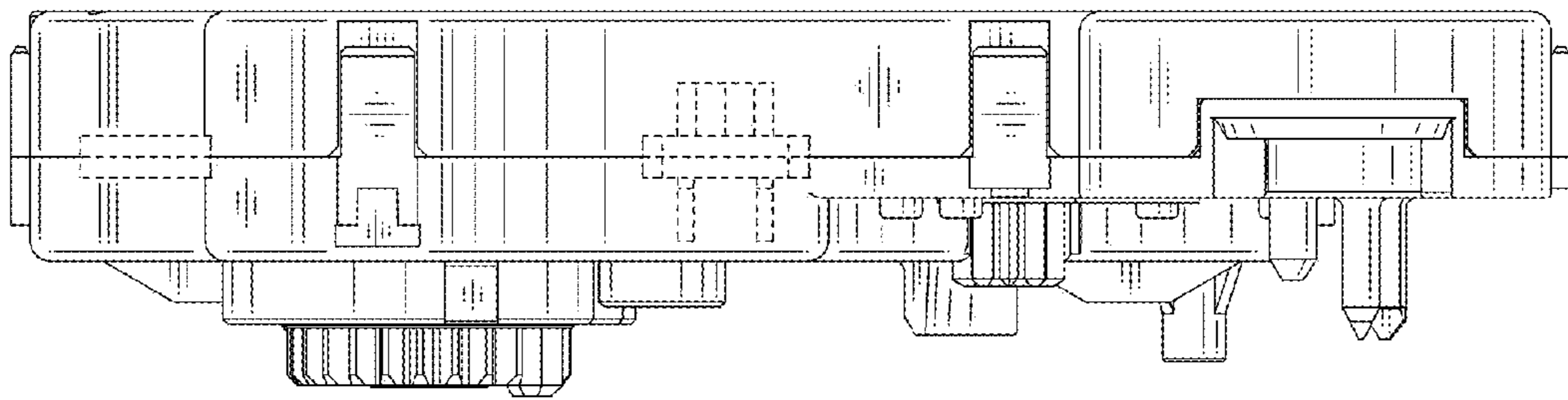


FIG. 6

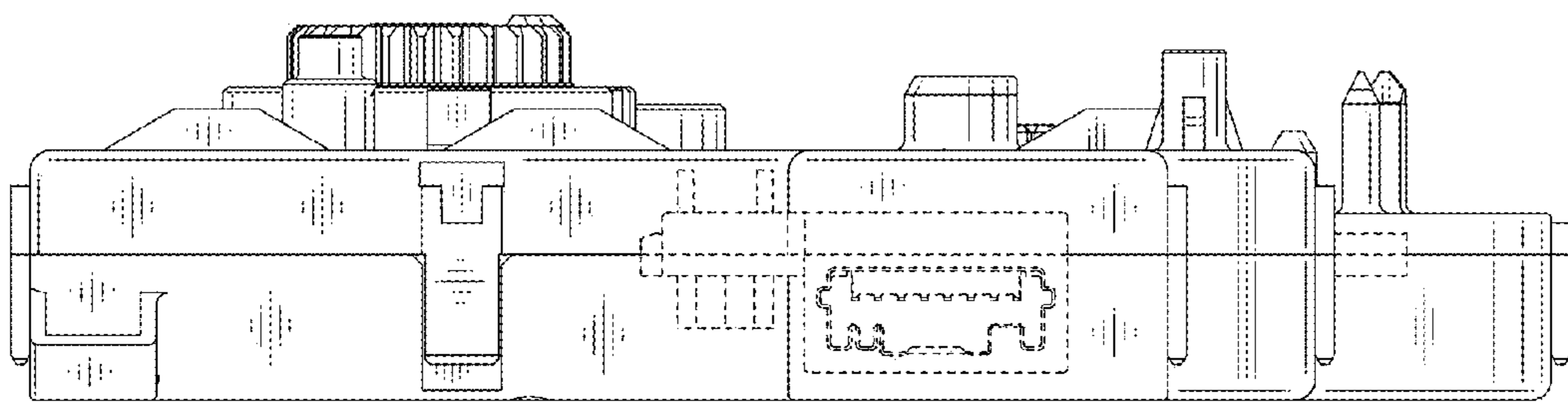


FIG. 7

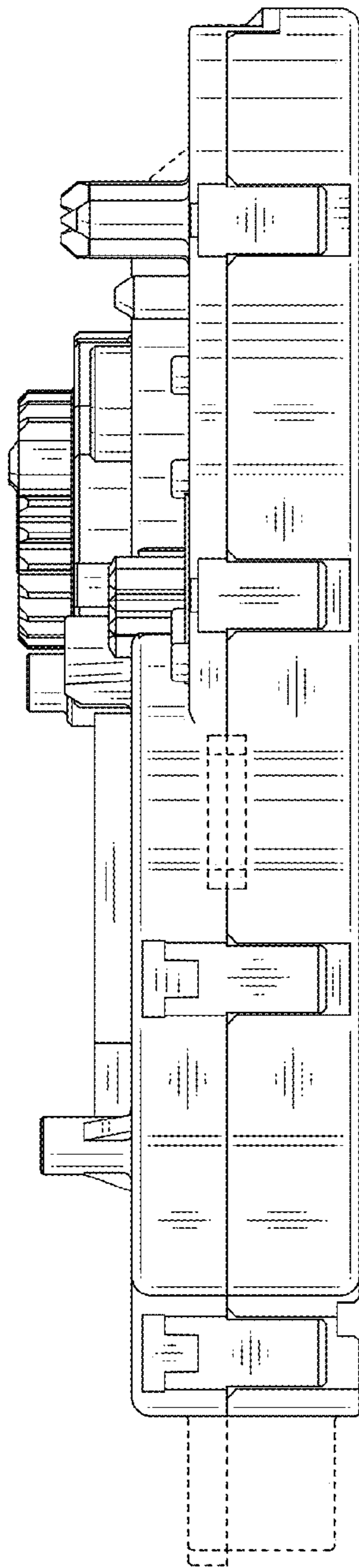


FIG. 8

