



US00D706324S

(12) **United States Design Patent**
Watts

(10) **Patent No.:** **US D706,324 S**

(45) **Date of Patent:** **** Jun. 3, 2014**

(54) **ROTARY SEPARATING MACHINE**

2006/0113225 A1* 6/2006 Chang 209/718
2010/0119606 A1 5/2010 Whittle et al.

(76) Inventor: **James Watts, Willits, CA (US)**

* cited by examiner

(**) Term: **14 Years**

Primary Examiner — Patricia Palasik

(74) *Attorney, Agent, or Firm* — Edward S. Sherman

(21) Appl. No.: **29/417,338**

(57) **CLAIM**

The ornamental design for a “rotary separating machine,” as shown and described.

(22) Filed: **Apr. 2, 2012**

DESCRIPTION

(51) **LOC (10) Cl.** **15-09**

(52) **U.S. Cl.**

USPC **D15/147**

(58) **Field of Classification Search**

USPC D15/147, 199; 8/390; 17/4, 46; 134/40;
208/13, 391, 400, 428, 952; 241/24,
241/74; 424/484, 725; 426/417; 452/127,
452/135, 136, 138, 140; 554/9, 11, 12, 16

See application file for complete search history.

FIG. 1 is a perspective view of a first embodiment of a transparent “rotary separating machine”, showing my new design in a closed position;

FIG. 2 is a an exploded perspective view thereof;

FIG. 3 is a front side elevation view thereof;

FIG. 4 is a back side elevation view thereof;

FIG. 5 is a right side elevation view thereof;

FIG. 6 is a left side elevation view thereof;

FIG. 7 is a top plan view thereof;

FIG. 8 is a perspective view of a second embodiment of a “rotary separating machine”, showing my new design in a closed position;

FIG. 9 is an exploded perspective view thereof;

FIG. 10 is a front side elevation view thereof;

FIG. 11 is a back side elevation view thereof;

FIG. 12 is a right side elevation view thereof;

FIG. 13 is a left side elevation view thereof;

FIG. 14 is a top plan view thereof;

FIG. 15 is a bottom plan view thereof; and,

FIG. 16 is a top plan view thereof.

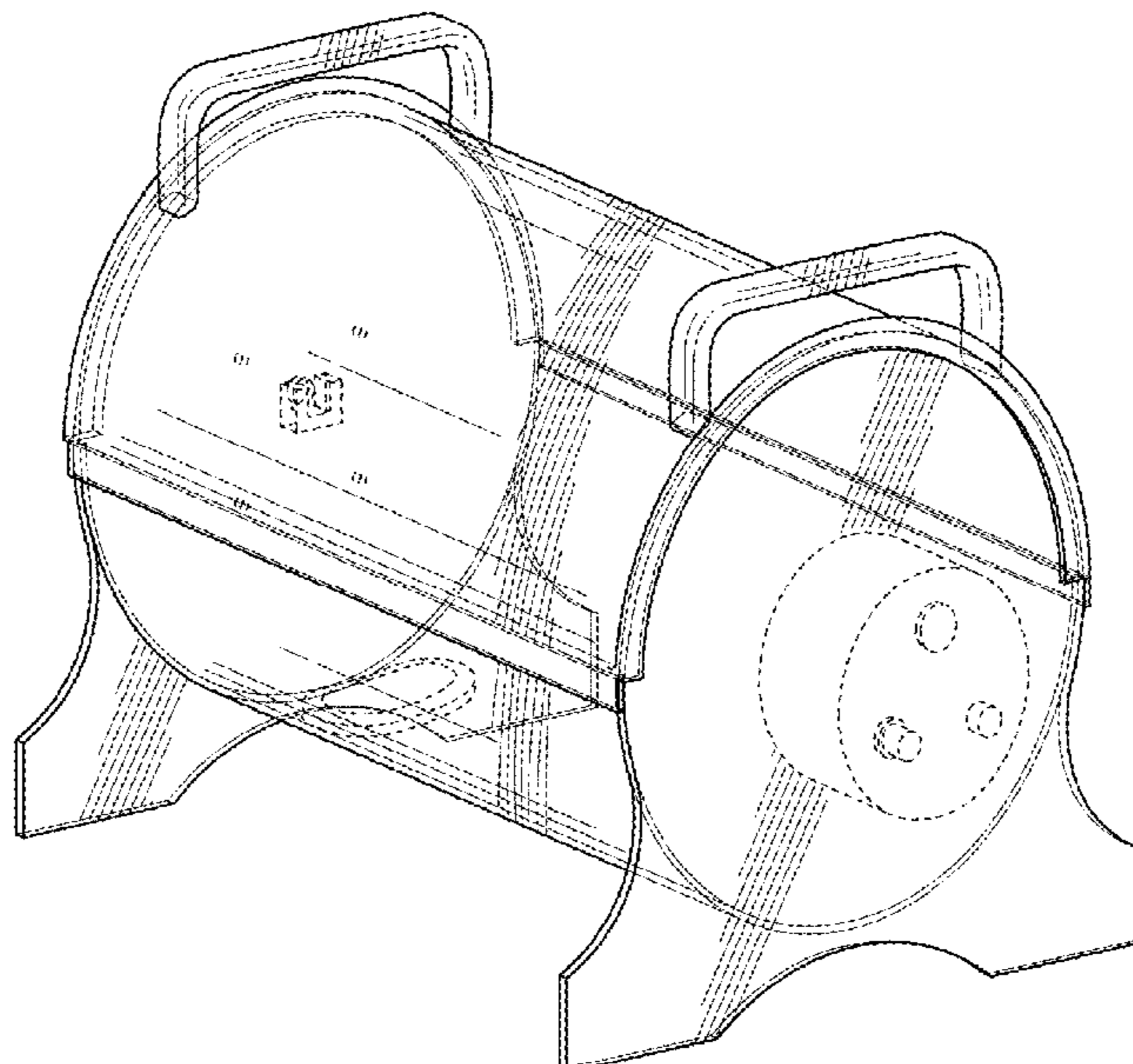
The broken line showings in FIGS. 1-16 are for illustrative purposes only, depicting the environment of the new design, forming no part thereof as claimed.

(56) **References Cited**

U.S. PATENT DOCUMENTS

D213,917 S *	4/1969	Peterson	D15/147
D271,879 S *	12/1983	Neilson	D15/147
D280,628 S *	9/1985	Besson	D15/147
D294,363 S *	2/1988	Donhauser	D15/147
D303,672 S *	9/1989	Stienen	D15/147
D335,294 S *	5/1993	Vallien	D15/147
6,712,216 B2 *	3/2004	Van Oirschot	209/138
7,008,528 B2	3/2006	Mitchell et al.		
7,108,138 B2 *	9/2006	Simpson	209/720
D594,489 S *	6/2009	Rose	D15/147
D612,878 S *	3/2010	Meter	D15/147
D633,119 S *	2/2011	Mackel	D15/147

1 Claim, 16 Drawing Sheets



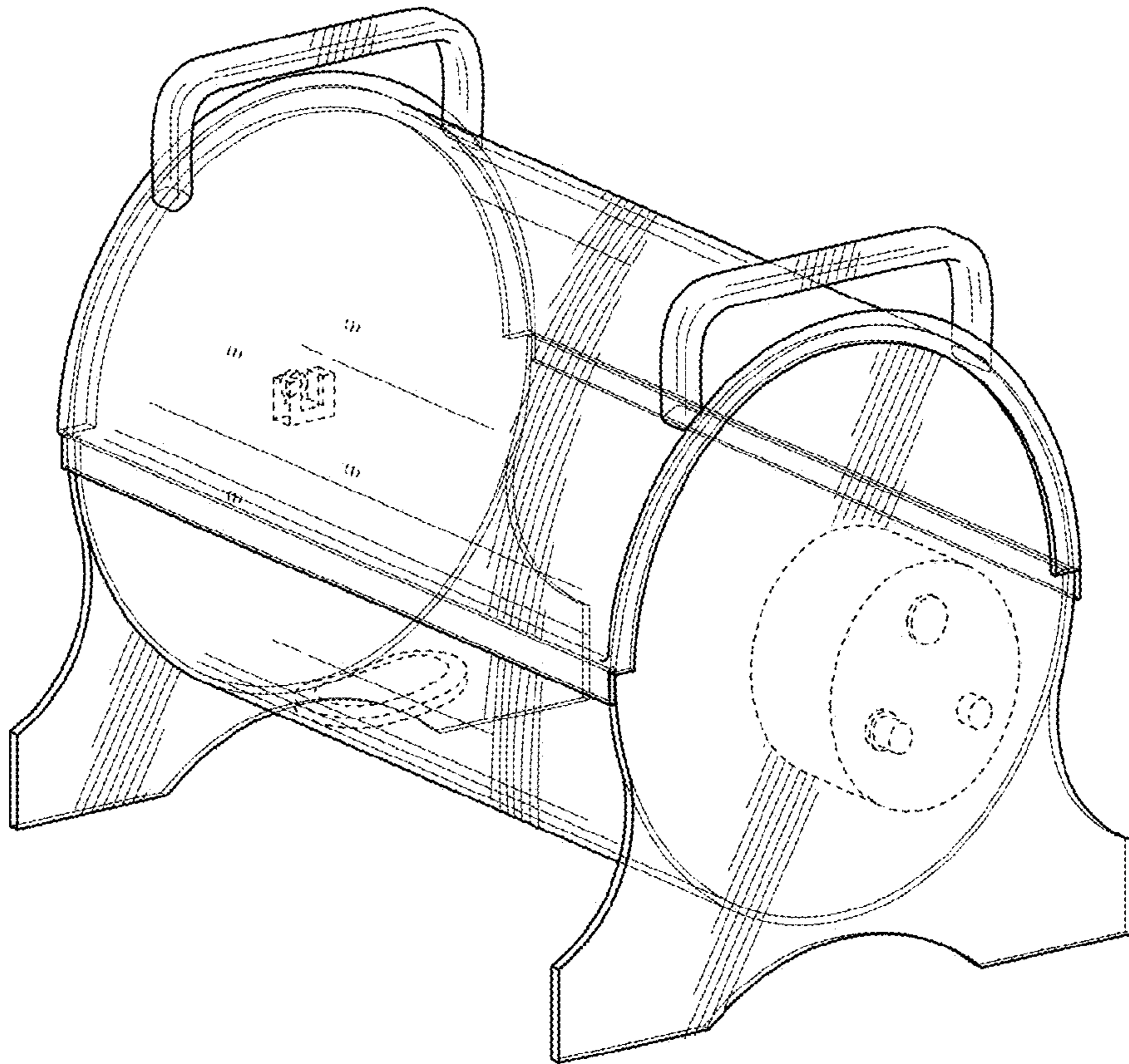


FIG. 1

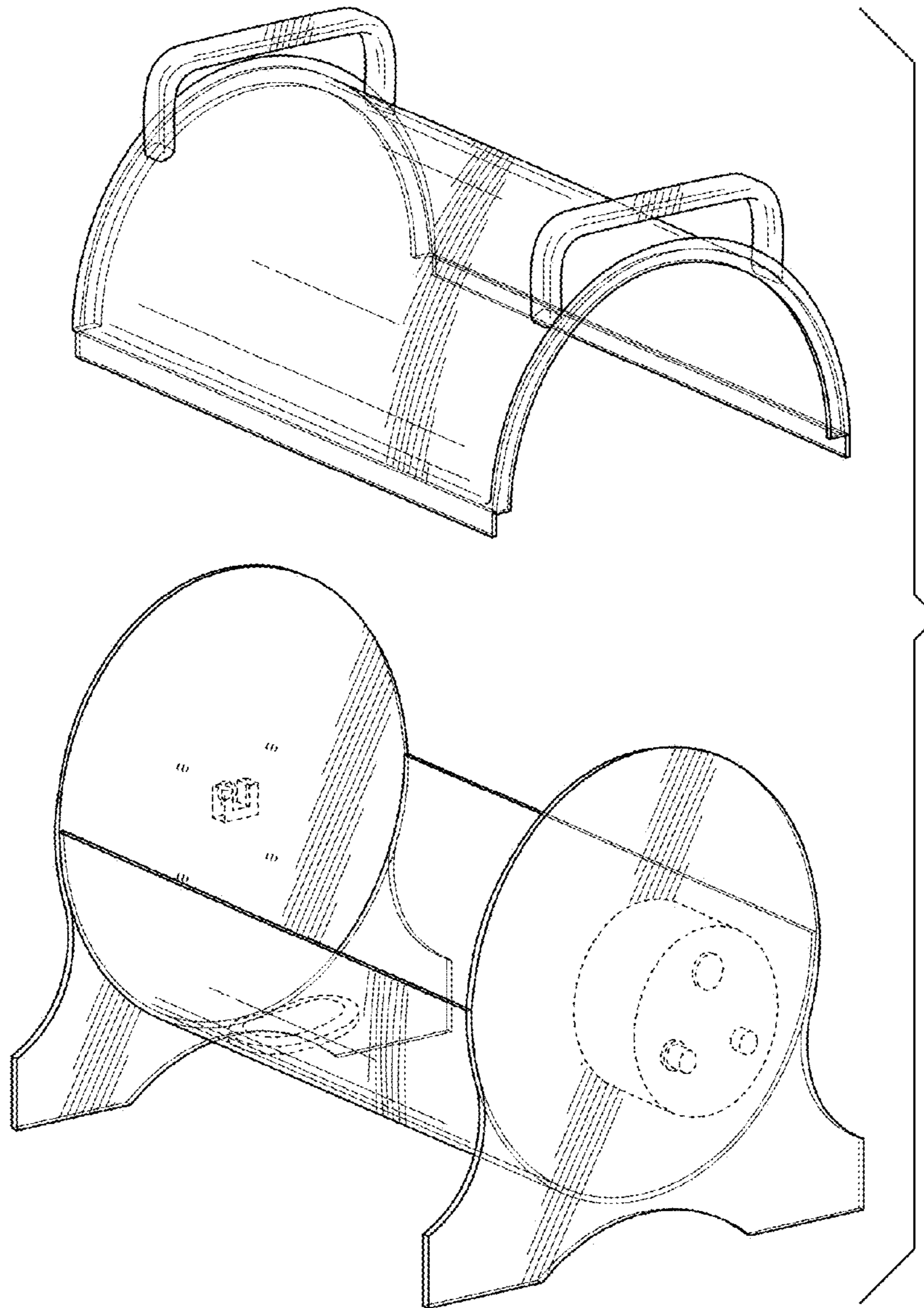


FIG. 2

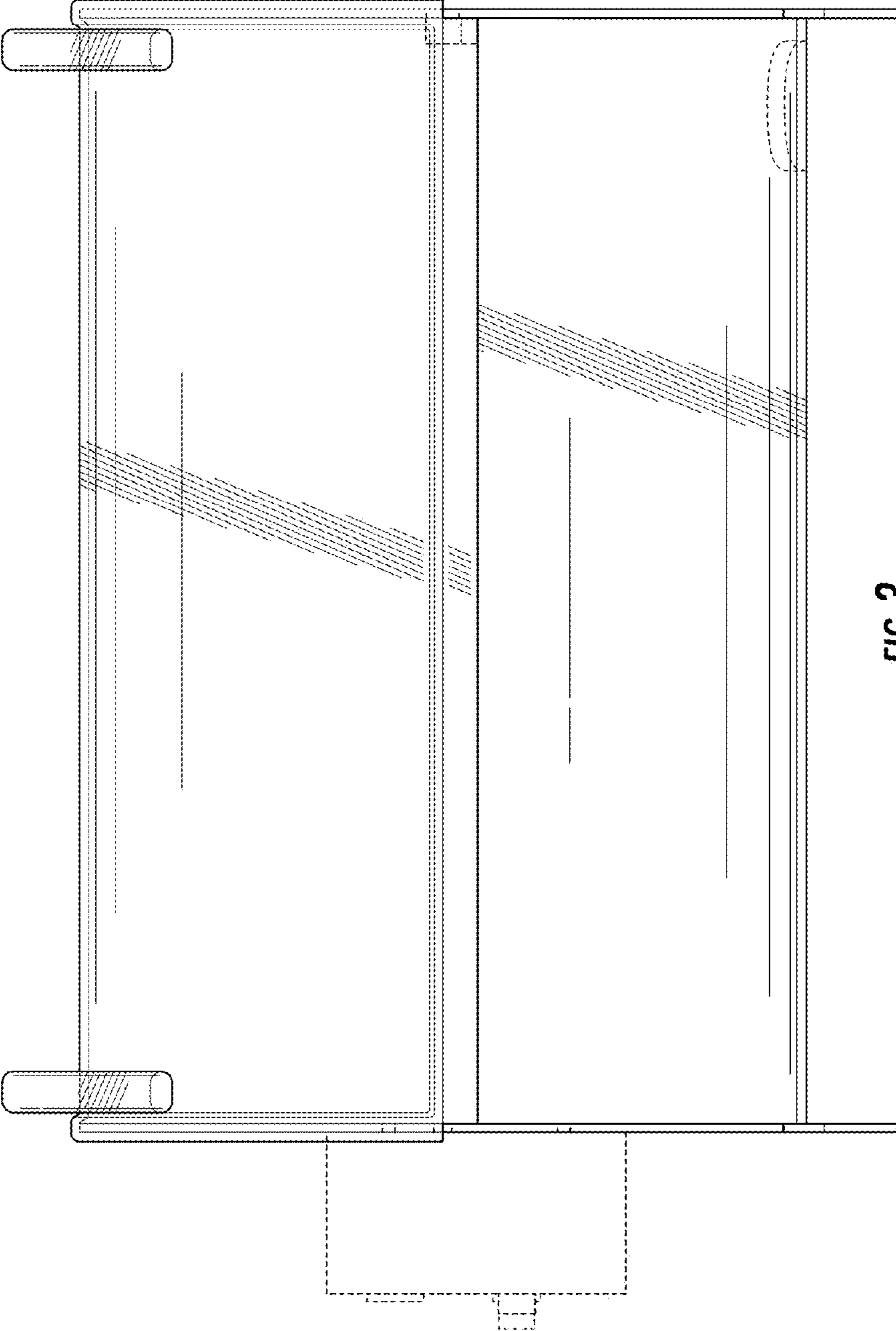


FIG. 3

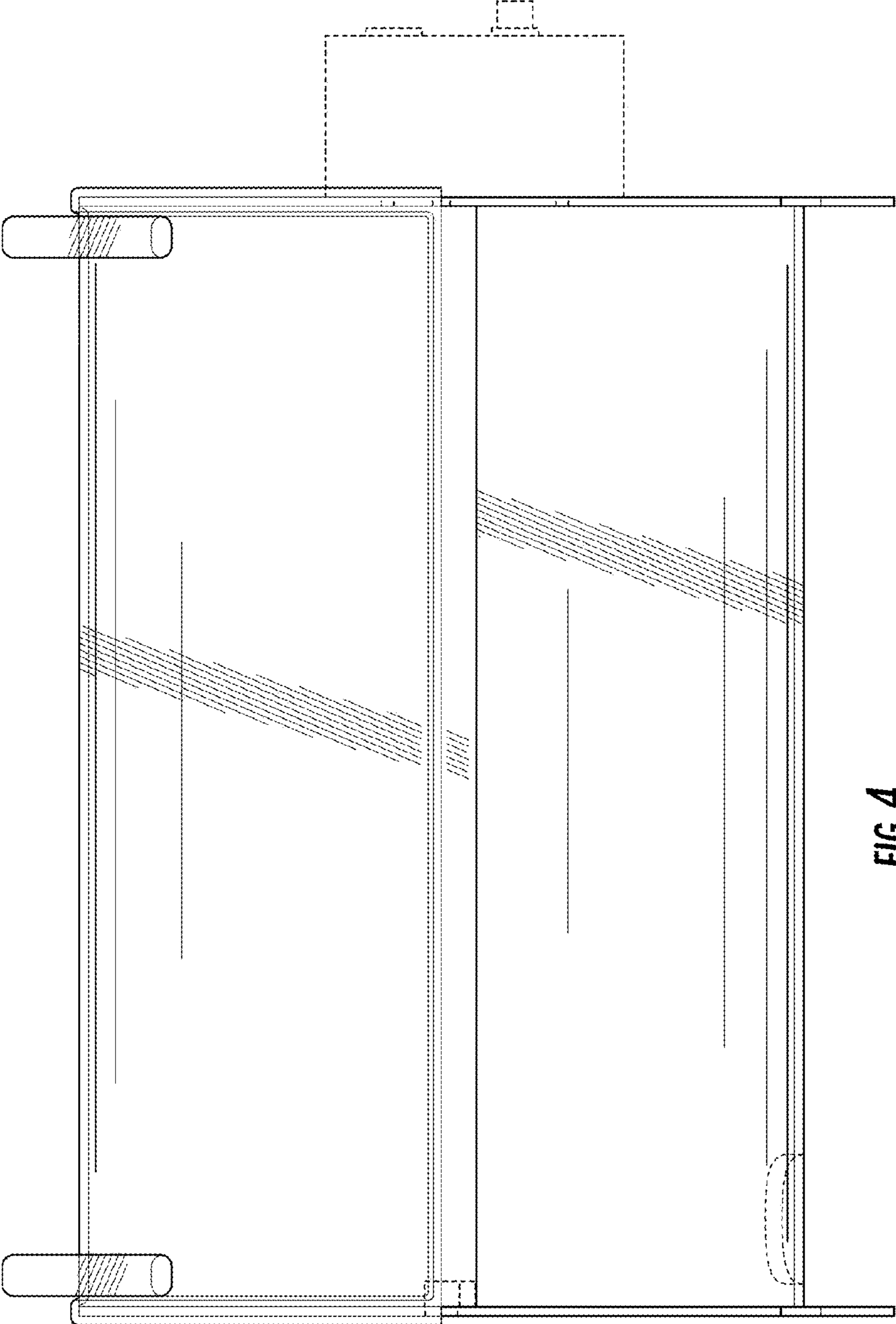


FIG. 4

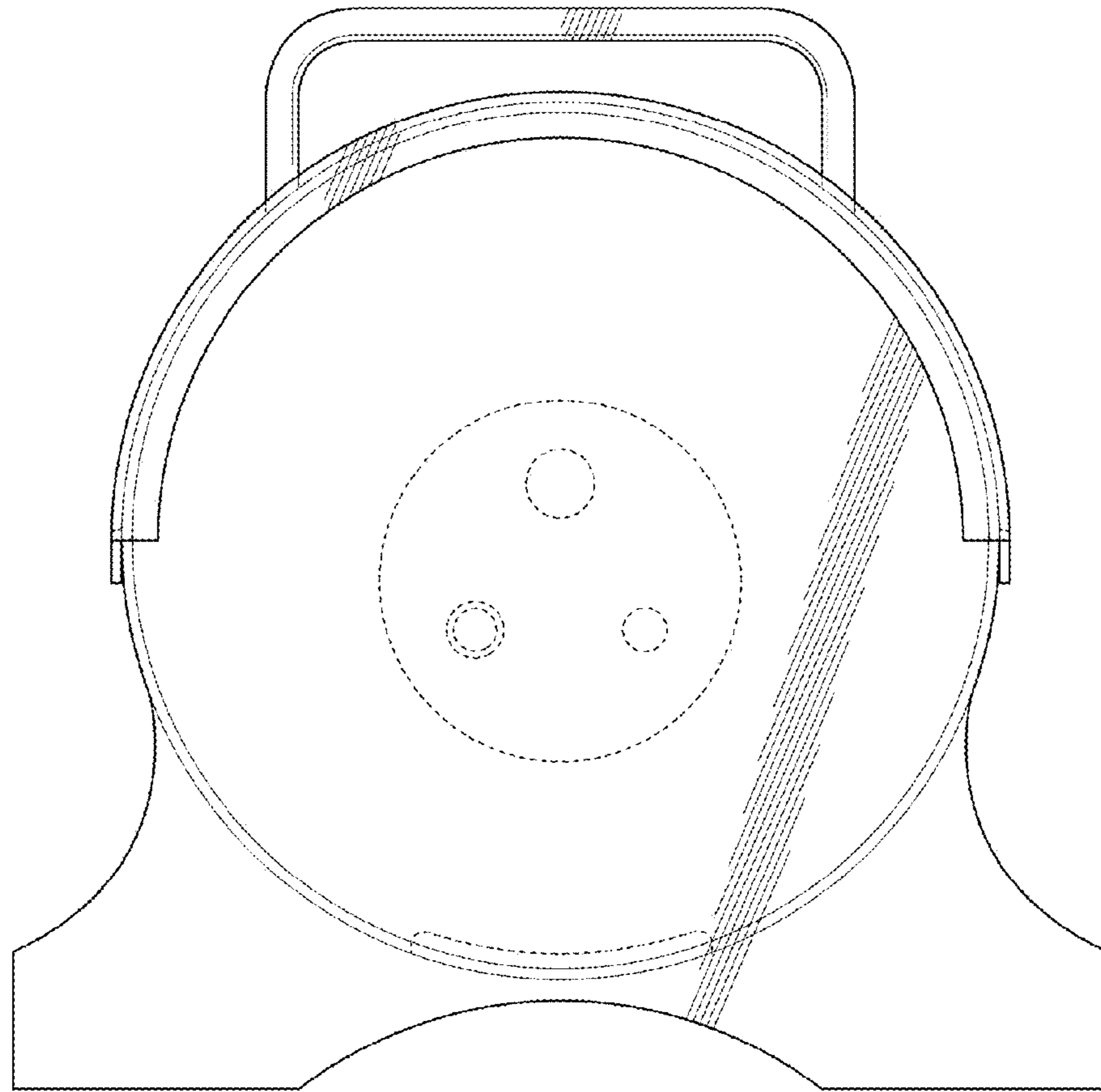


FIG. 5

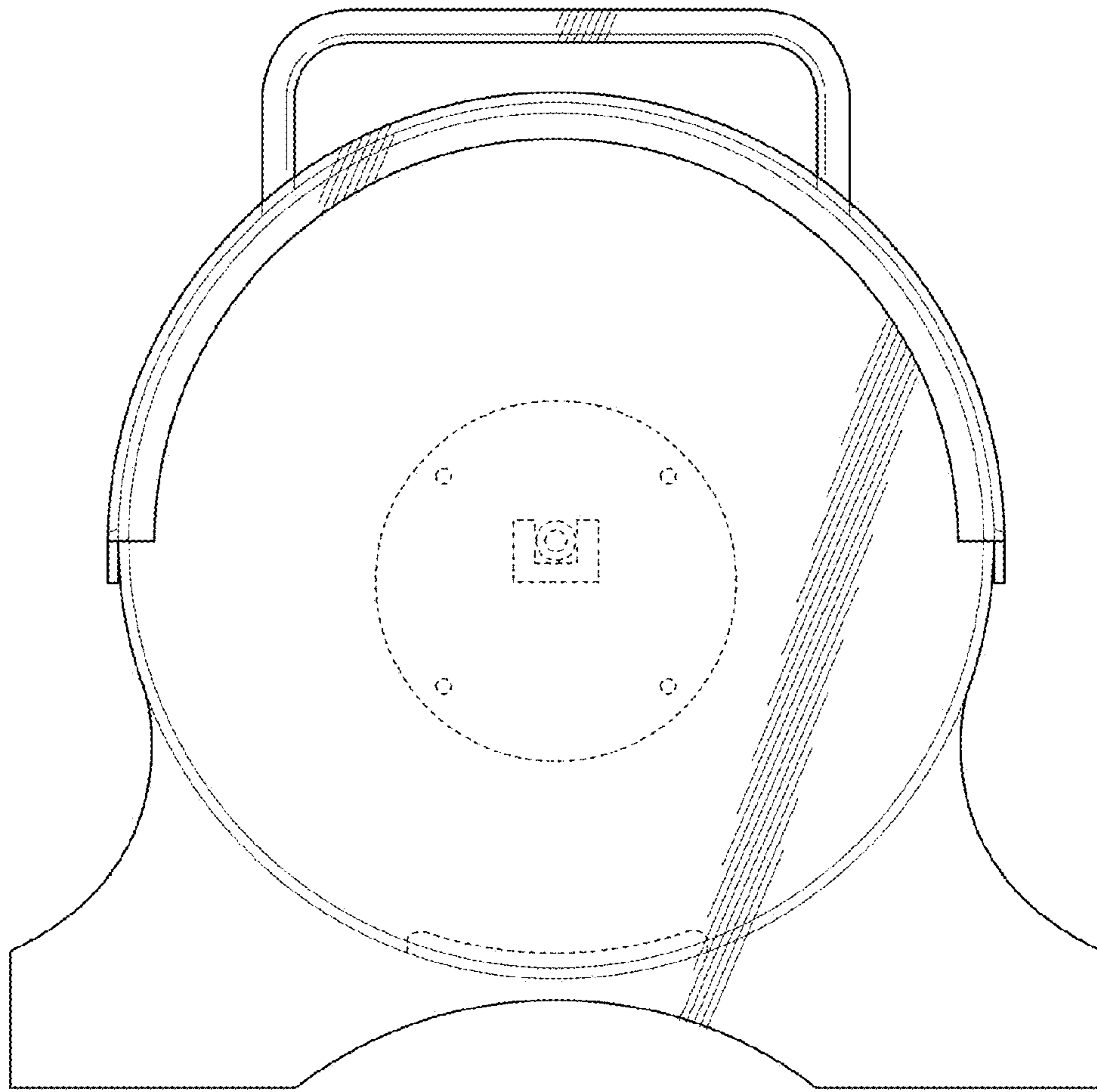


FIG. 6

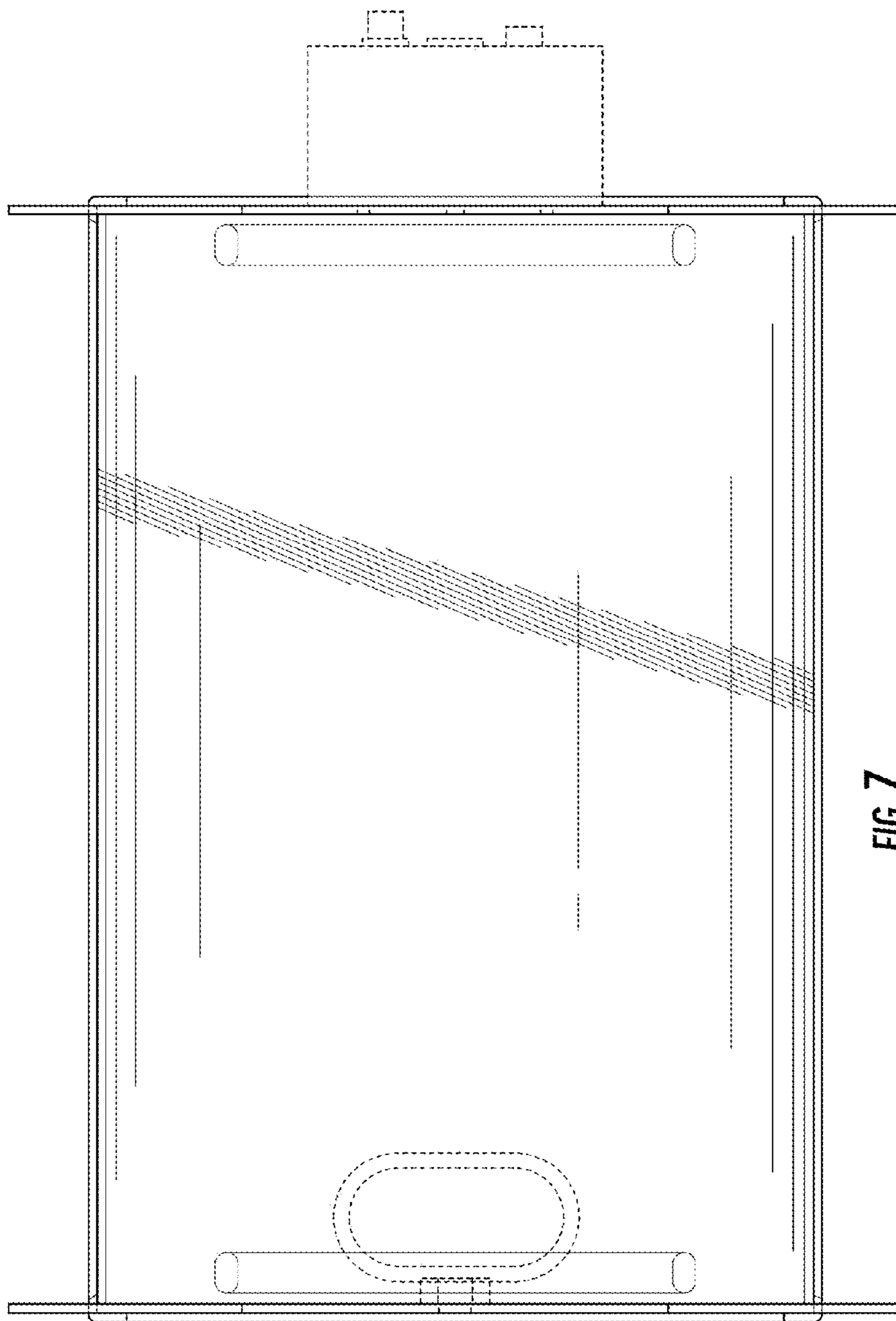


FIG. 7

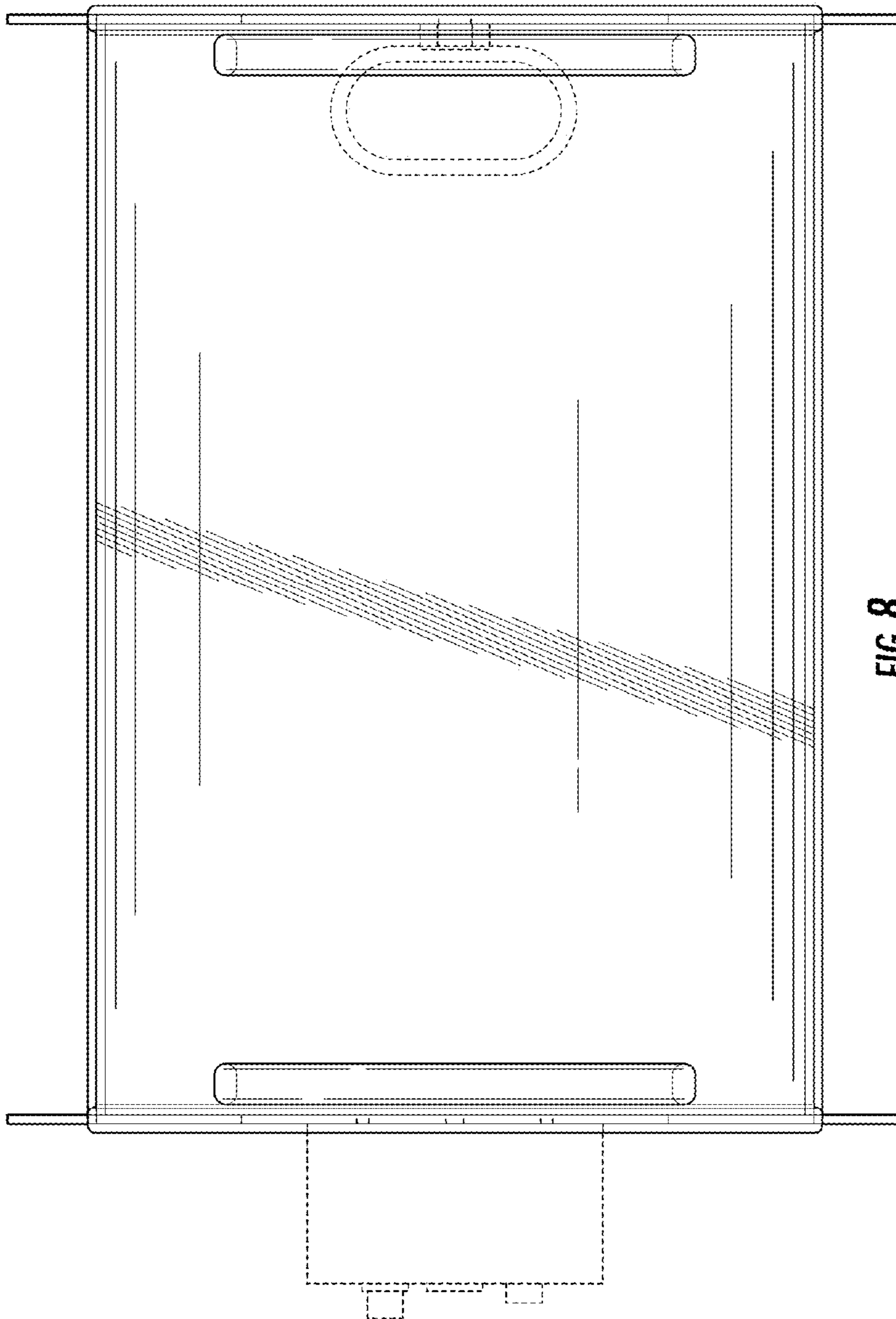


FIG. 8

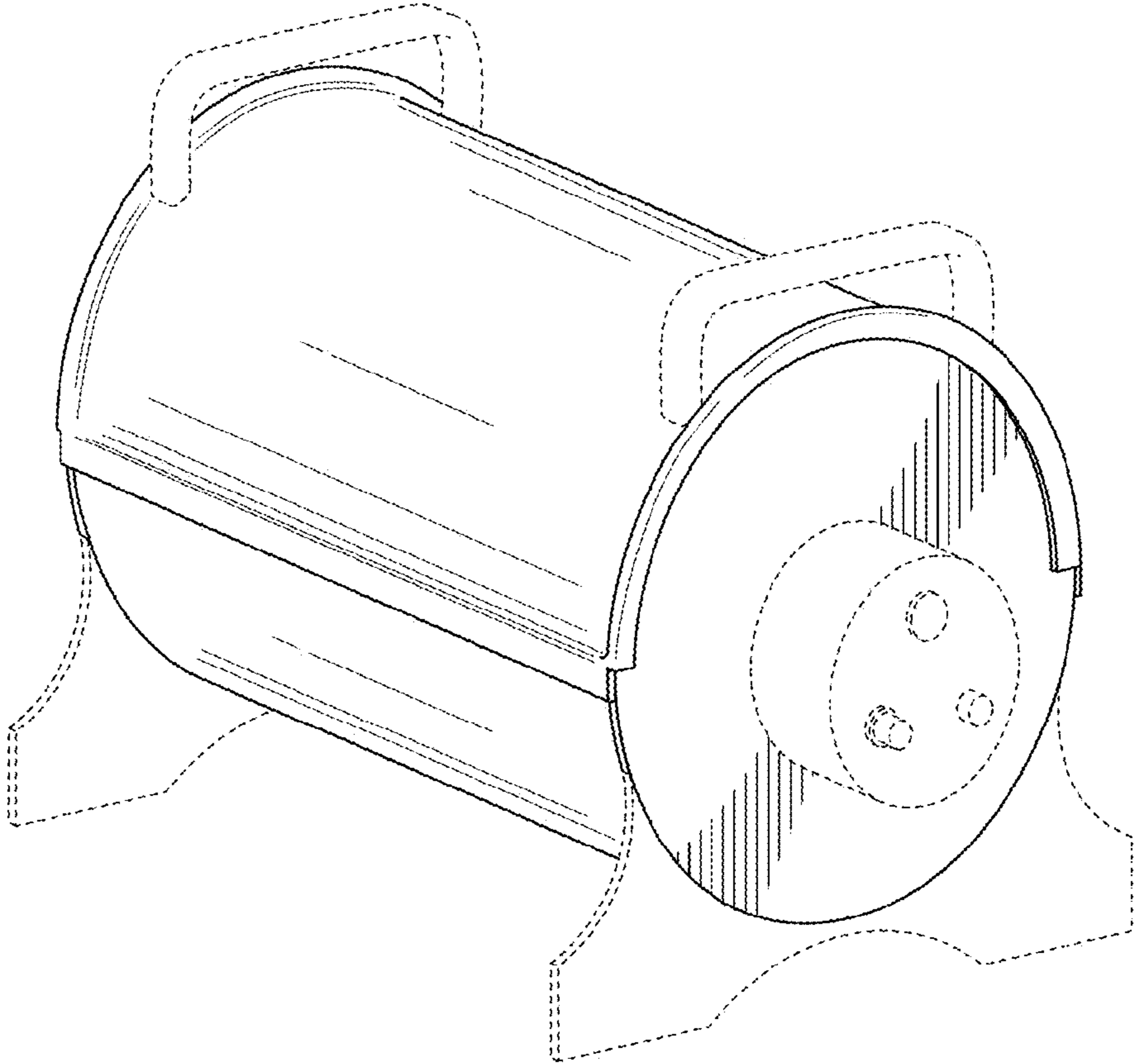


FIG. 9

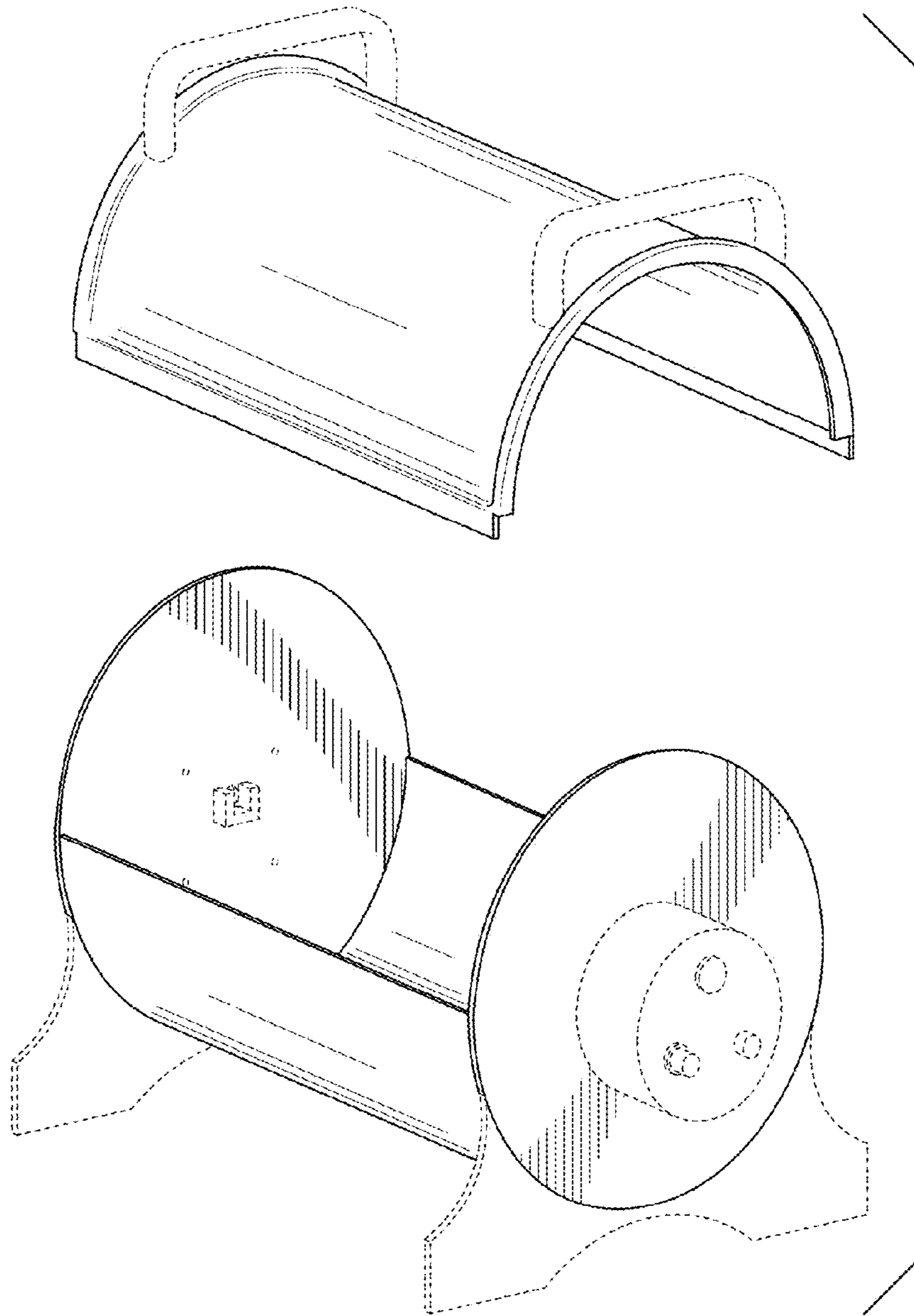


FIG. 10



FIG. 11



FIG. 12

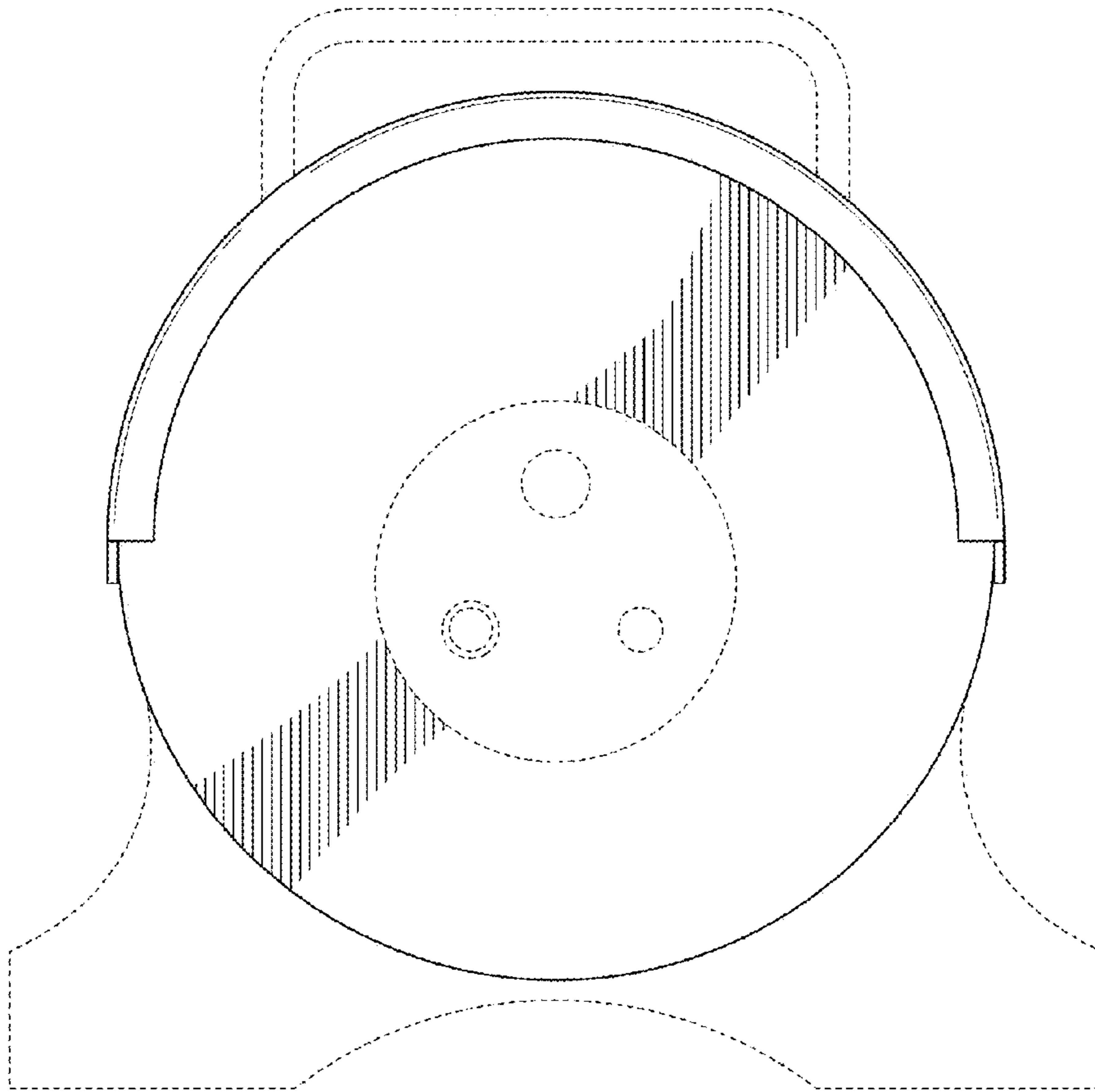


FIG. 13

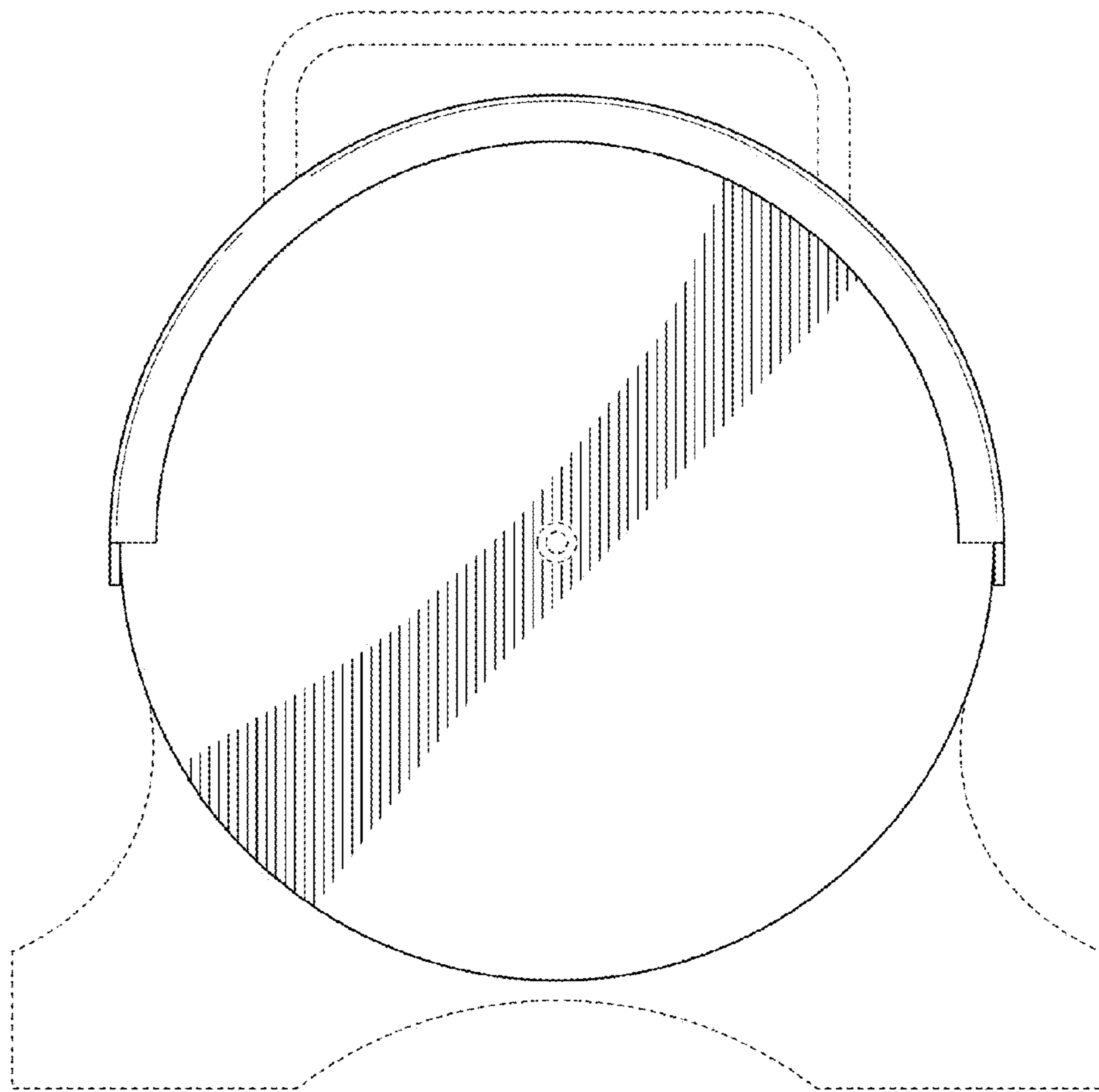


FIG. 14

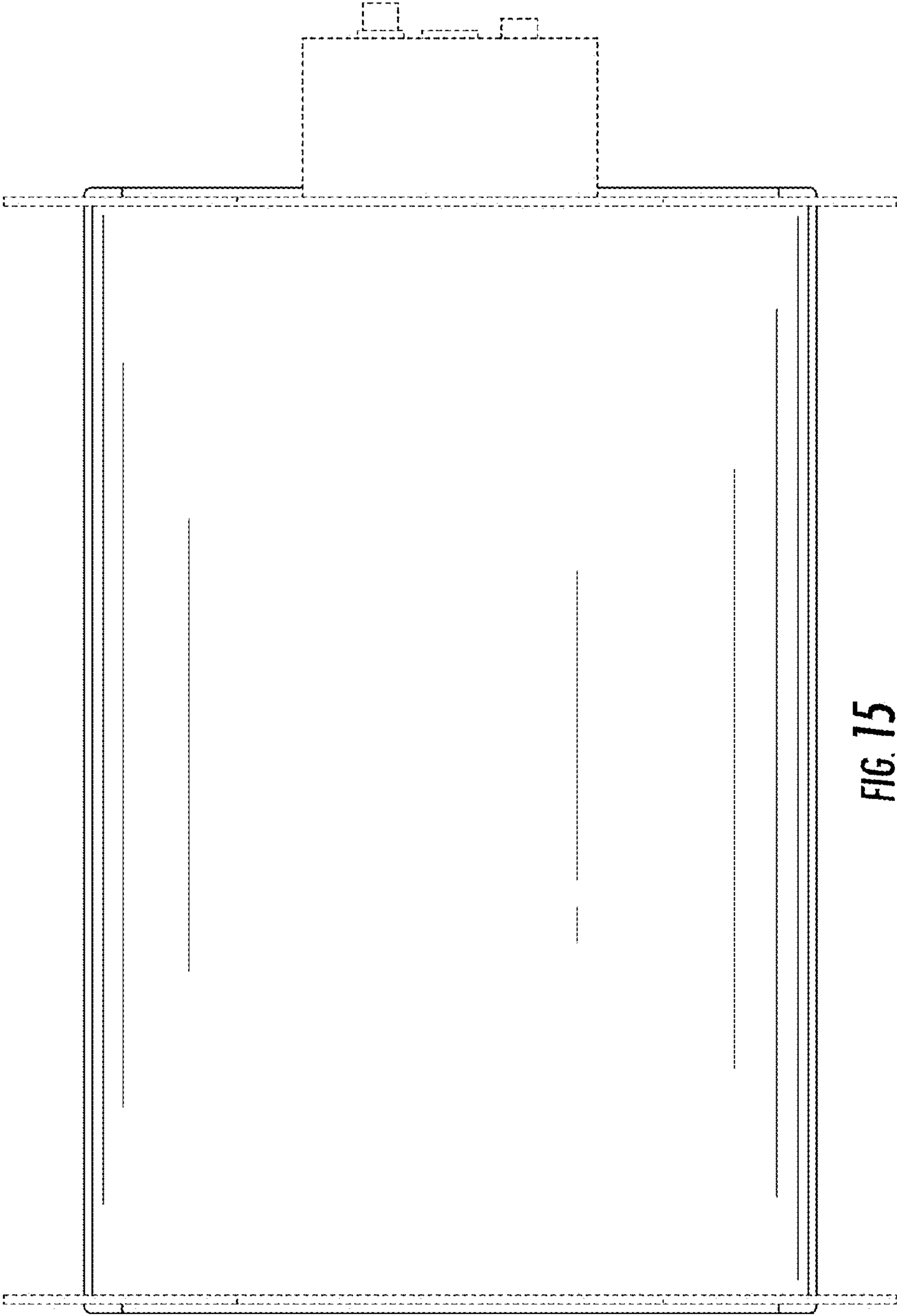


FIG. 15

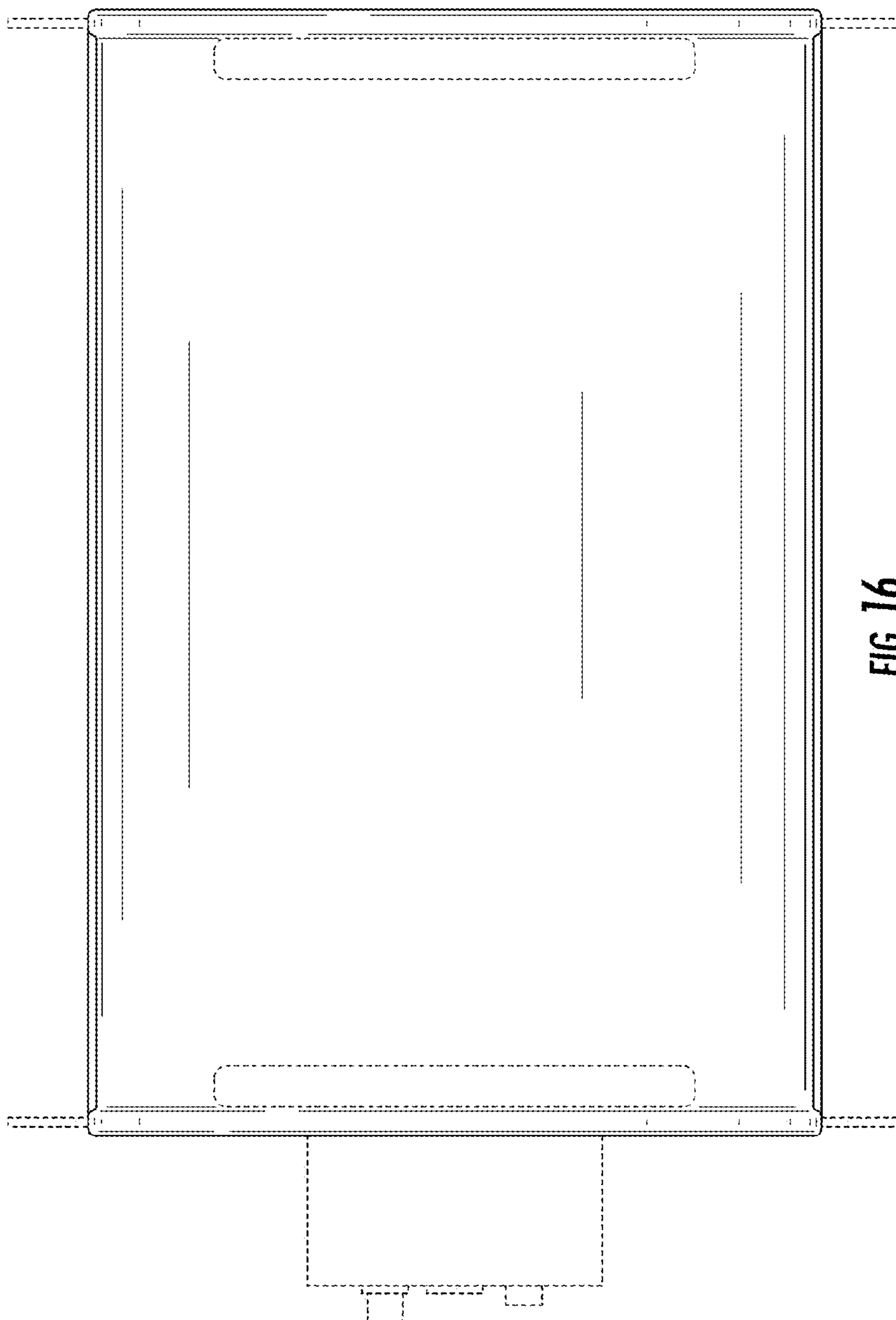


FIG. 16