



US00D706322S

(12) **United States Design Patent**
Mönttinen et al.

(10) **Patent No.:** **US D706,322 S**
(45) **Date of Patent:** **** Jun. 3, 2014**

(54) **CUTTER BIT**

(75) Inventors: **Tero Mönttinen**, Mäntyharju (FI);
Raimo Karjalainen, Mikkeli (FI);
Mauri Nikkinen, Mäntyharju (FI)

(73) Assignee: **Veisto Oy**, Mäntyharju (FI)

(**) Term: **14 Years**

(21) Appl. No.: **29/425,675**

(22) Filed: **Jun. 26, 2012**

(30) **Foreign Application Priority Data**

Jan. 13, 2012 (EM) 001975202

(51) **LOC (10) Cl.** **15-09**

(52) **U.S. Cl.**
USPC **D15/139**

(58) **Field of Classification Search**
USPC D15/138, 139; 407/35, 42, 112-119
See application file for complete search history.

(56) **References Cited**

U.S. PATENT DOCUMENTS

D281,432 S * 11/1985 Tuomaala D15/139
D331,931 S * 12/1992 Eriksson D15/28
5,183,089 A * 2/1993 Norlander et al. 144/231

D381,027 S * 7/1997 Mihic D15/139
5,906,231 A * 5/1999 Rautio 144/241
D447,757 S * 9/2001 Rautio D15/139
D448,780 S * 10/2001 Rautio D15/139
D647,928 S * 11/2011 MacLennan et al. D15/139
2003/0188619 A1 * 10/2003 MacLennan et al. 83/839

* cited by examiner

Primary Examiner — Patricia Palasik

(74) *Attorney, Agent, or Firm* — Birch, Stewart, Kolasch & Birch, LLP

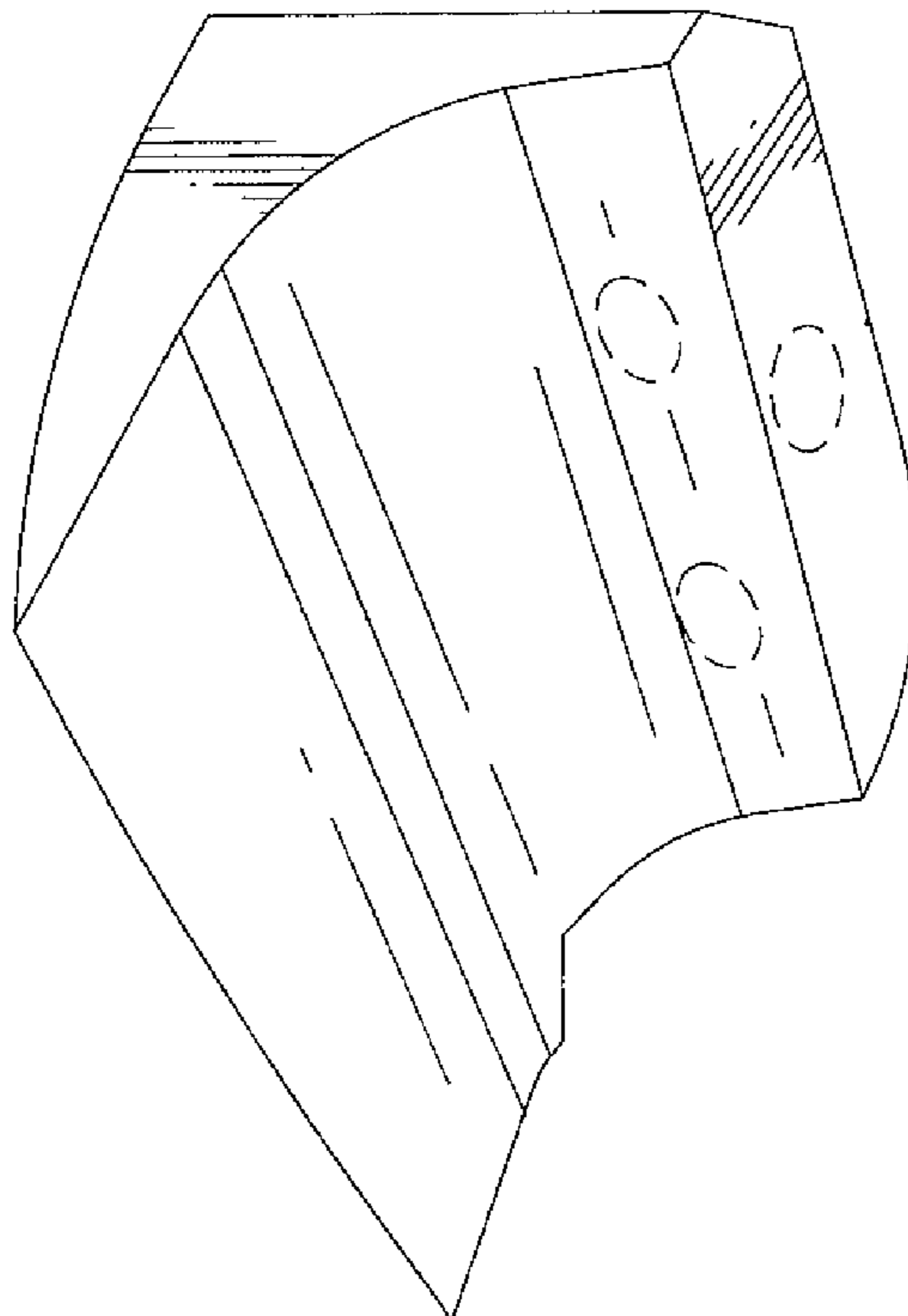
(57) **CLAIM**

The ornamental design for a cutter bit, as shown and described.

DESCRIPTION

FIG. 1 is a perspective view of a cutter bit showing our new design;
FIG. 2 is a front elevational view thereof;
FIG. 3 is a rear elevational view thereof;
FIG. 4 is a top perspective view thereof;
FIG. 5 is a right side elevational view thereof;
FIG. 6 is a left side elevational view thereof; and,
FIG. 7 is a left side perspective view thereof.
The portions shown in broken lines form no part of the claimed design.

1 Claim, 2 Drawing Sheets



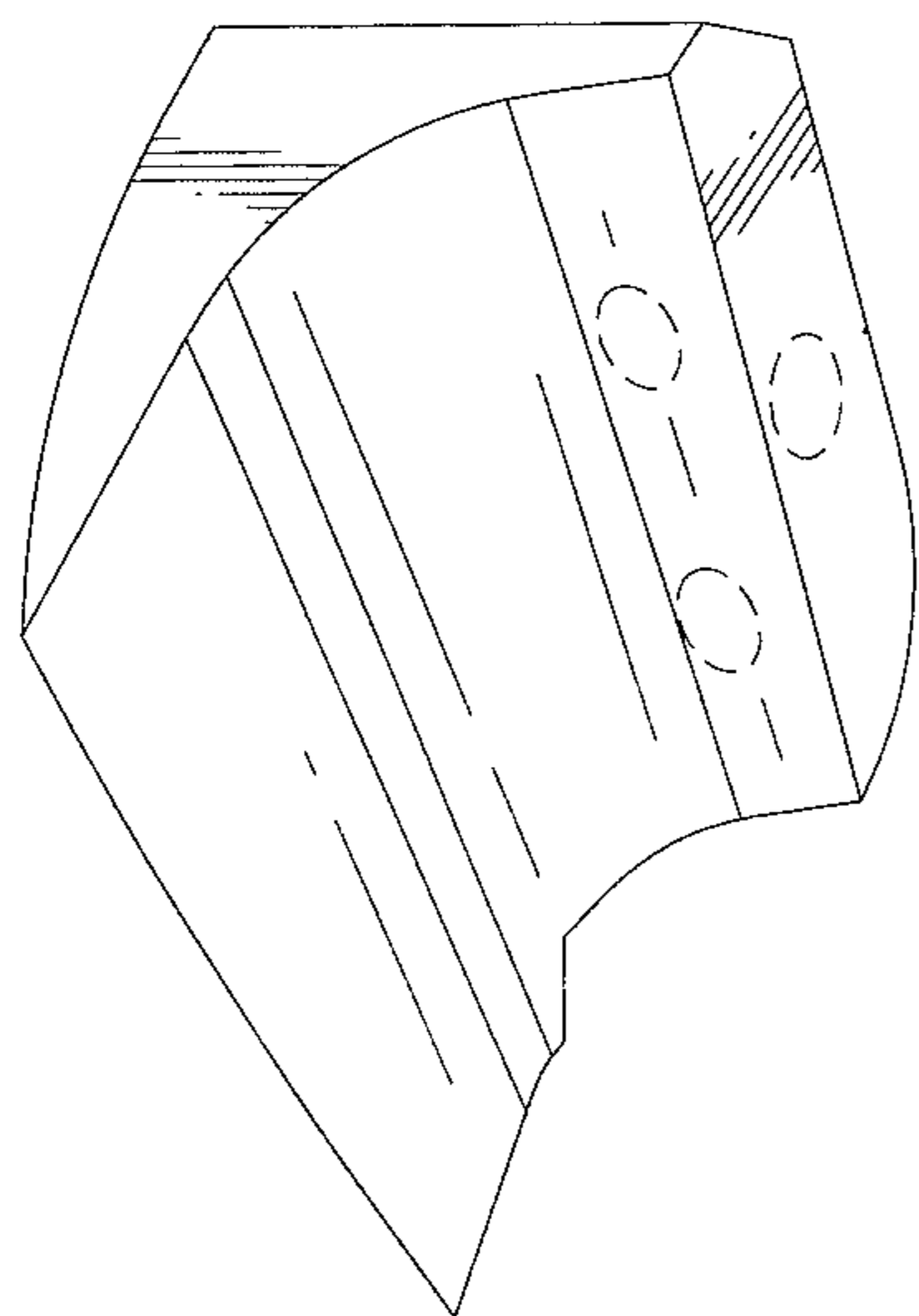


FIG. 1

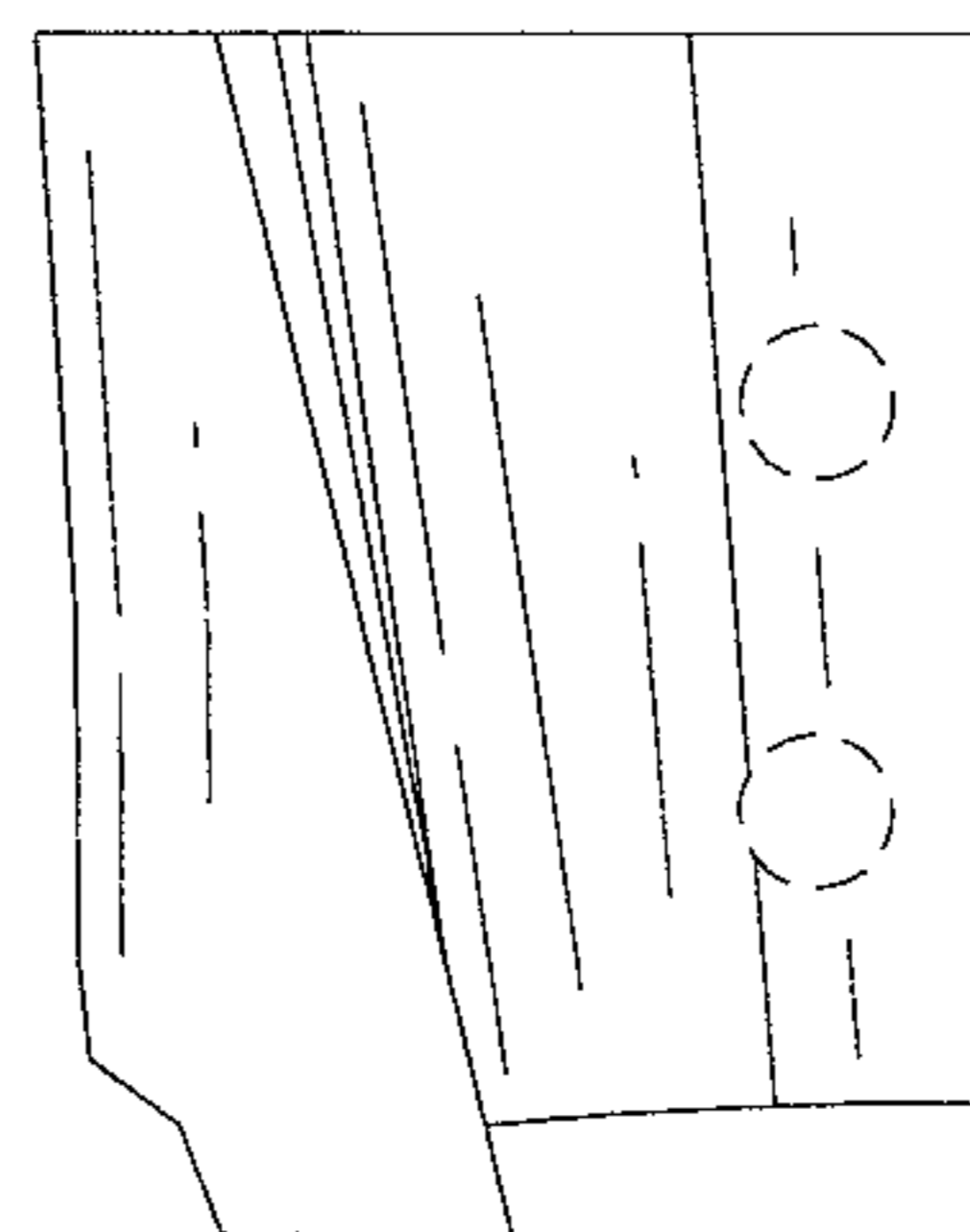


FIG. 2

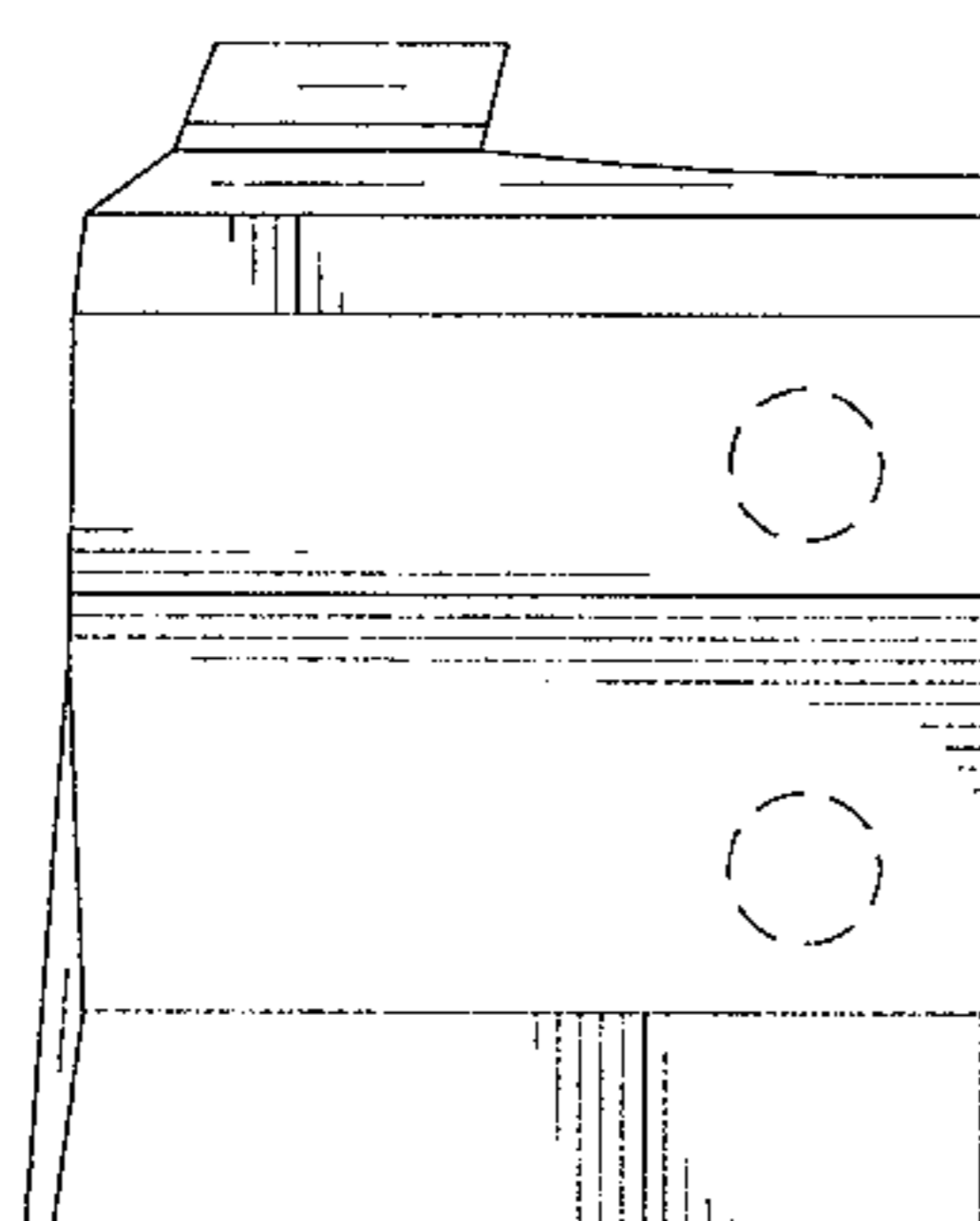


FIG. 3

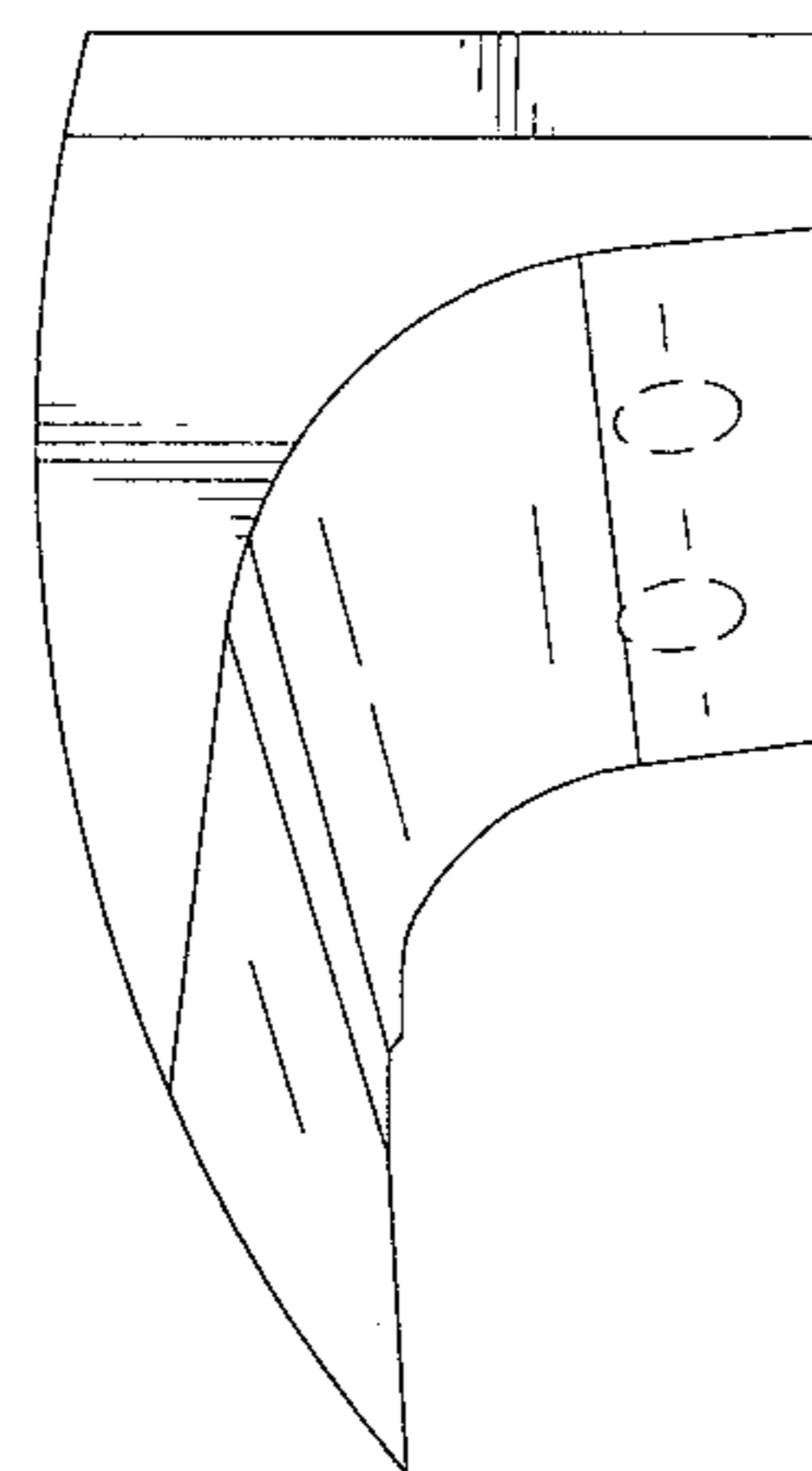


FIG. 4

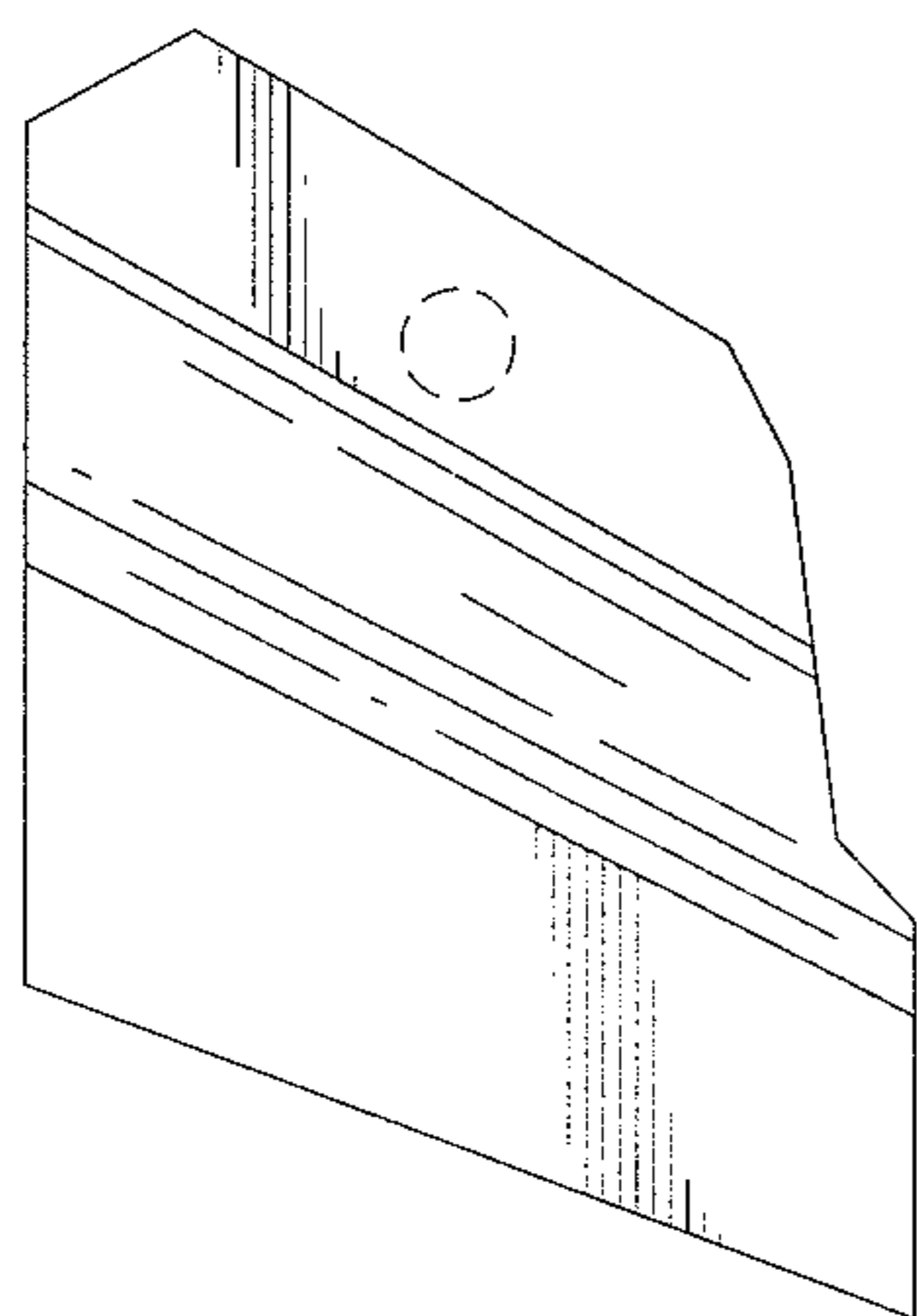


FIG. 5

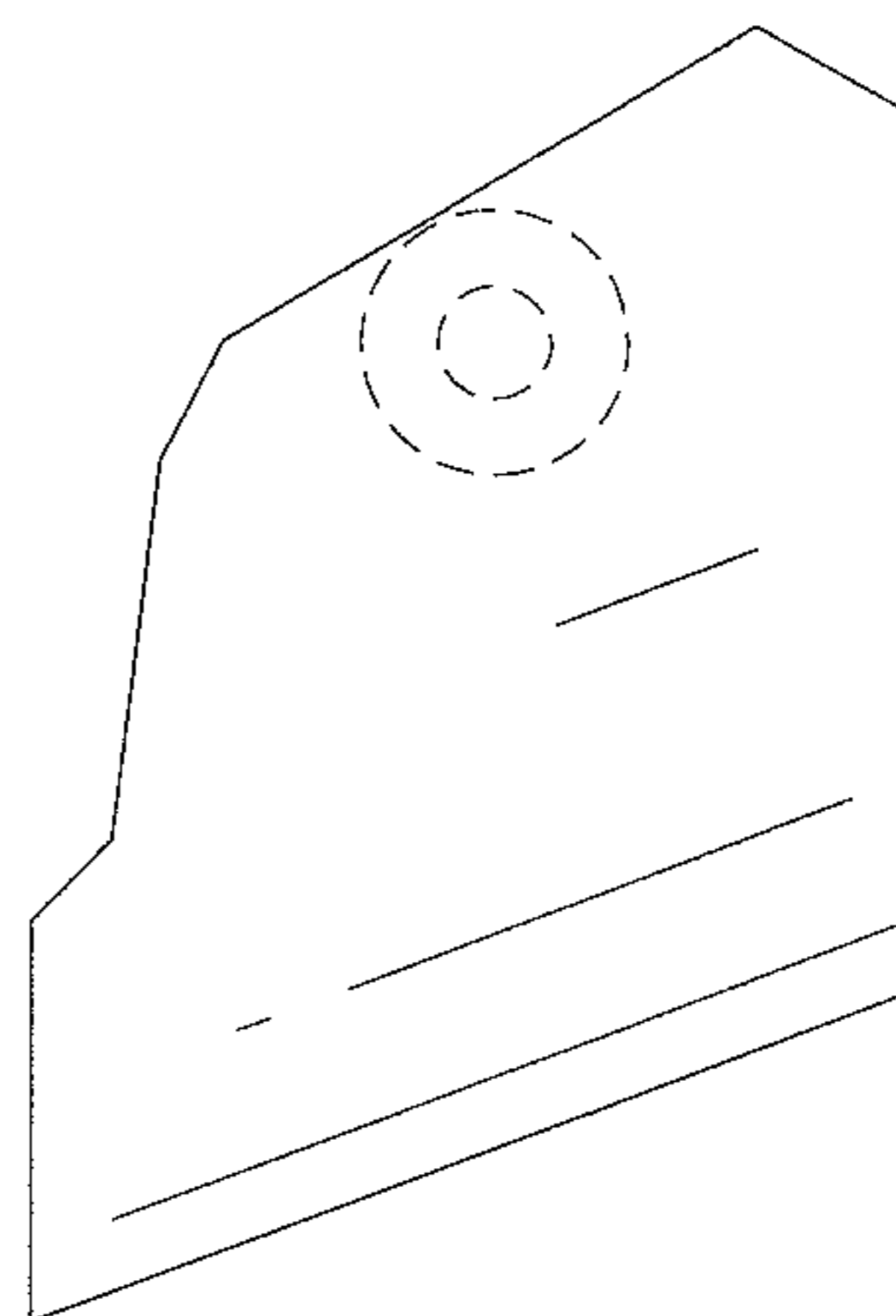


FIG. 6

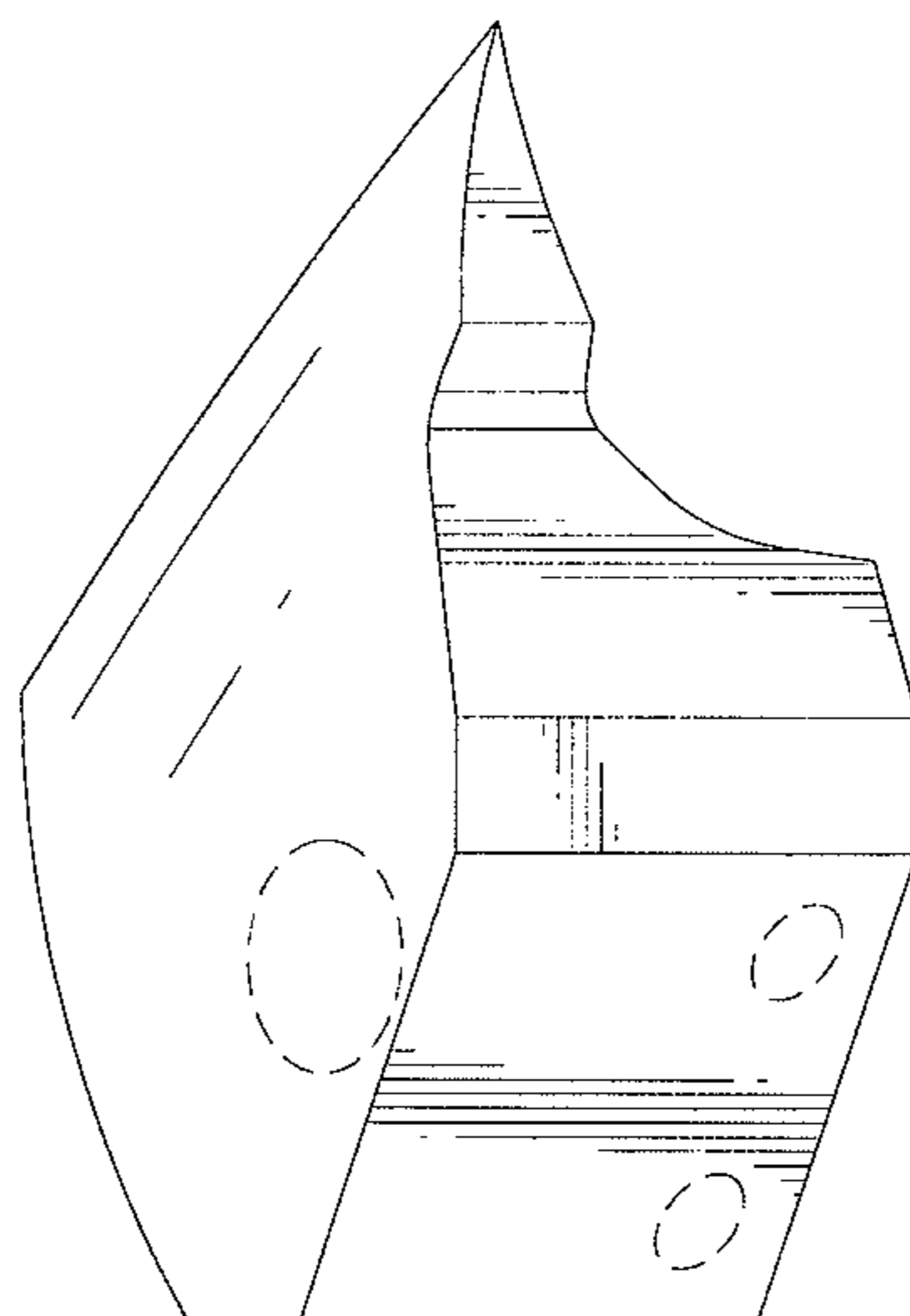


FIG. 7