



US00D706320S

(12) **United States Design Patent**
Hynek et al.

(10) **Patent No.:** **US D706,320 S**
(45) **Date of Patent:** **** Jun. 3, 2014**

(54) **MILLING MACHINE**
(71) Applicant: **Zapadoceska Univerzita V Plzni, Plzen (CZ)**
(72) Inventors: **Martin Hynek, Plzen (CY); Vaclava Lasova, Plzen (CZ); Miroslav Grach, Bilina (CZ); Zdenek Raab, Ceske Budejovice (CZ); Petr Votapek, Utechovicky (CZ)**
(73) Assignee: **Zapadoceska Univerzita v Plzni, Plzen (CZ)**

D277,104 S *	1/1985	Roch	D15/131
D302,164 S *	7/1989	Itoh et al.	D15/122
D328,467 S *	8/1992	Maleschew	D15/131
D389,845 S *	1/1998	Nakamura et al.	D15/131
D398,618 S *	9/1998	Aoyama et al.	D15/131
D401,248 S *	11/1998	Schrepfer	D15/131
D520,536 S *	5/2006	Tokui et al.	D15/131
D552,134 S *	10/2007	Nakano	D15/131
D578,144 S *	10/2008	Arisue et al.	D15/122
D592,686 S *	5/2009	Schmitz et al.	D15/131
D612,873 S *	3/2010	Spinelli et al.	D15/131
D640,297 S *	6/2011	Deville	D15/131
D644,672 S *	9/2011	Kajihara et al.	D15/131

* cited by examiner

(**) Term: **14 Years**

Primary Examiner — Patricia Palasik

(21) Appl. No.: **29/480,964**

(57) **CLAIM**

The ornamental design for a milling machine, as shown and described.

(22) Filed: **Jan. 31, 2014**

(51) **LOC (10) Cl.** **15-09**

(52) **U.S. Cl.**
USPC **D15/131**

(58) **Field of Classification Search**
USPC D6/432, 436, 470-472; D15/122, 123, D15/124, 127, 131
See application file for complete search history.

DESCRIPTION

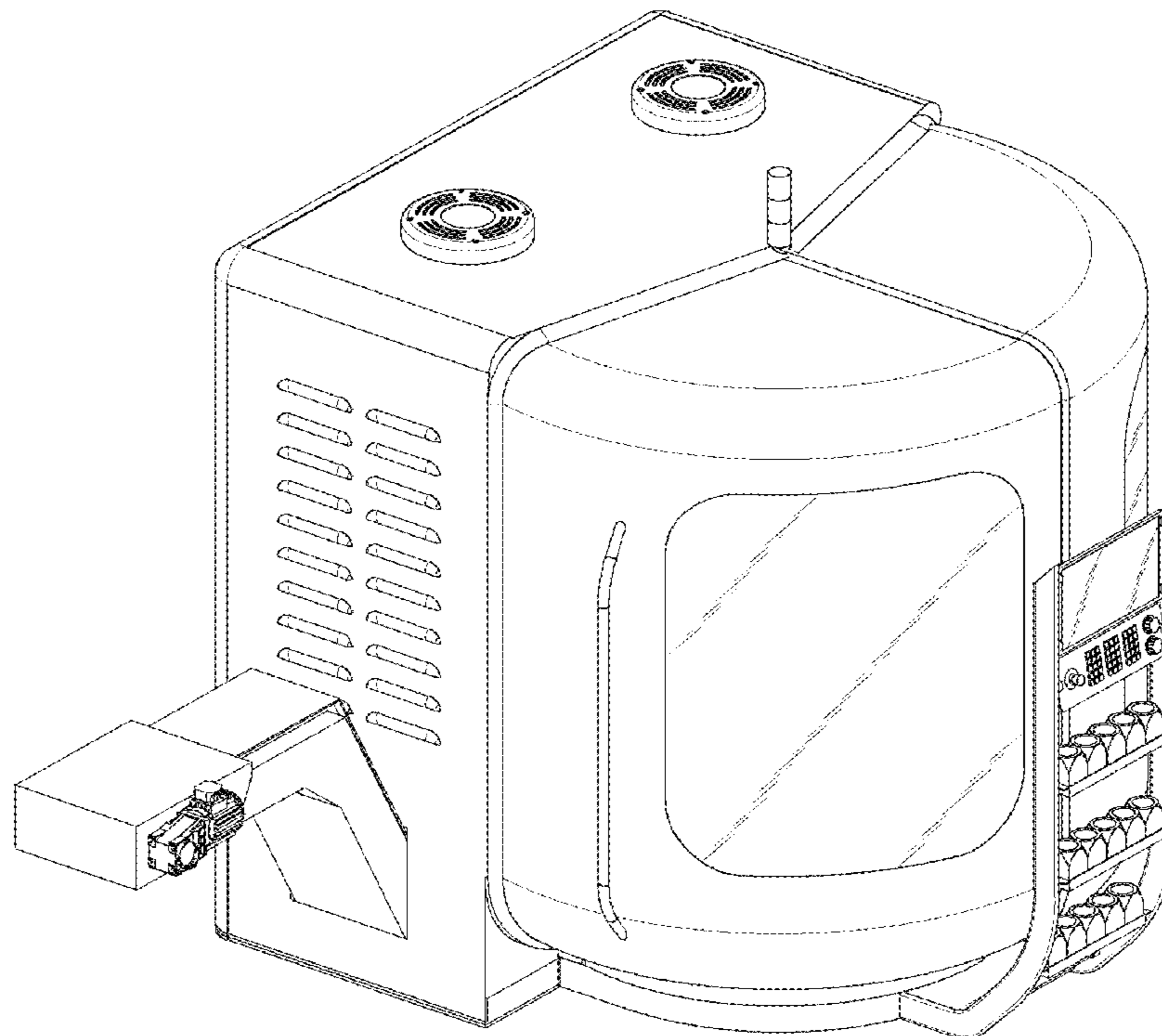
FIG. 1 is a perspective front view of a milling machine showing my new design;
FIG. 2 is a perspective right view thereof;
FIG. 3 is a perspective rear view thereof;
FIG. 4 is a front elevational view thereof;
FIG. 5 is a side elevational view taken from the left of FIG. 4;
FIG. 6 is a side elevational view taken from the right of FIG. 4;
FIG. 7 is a bottom plan view thereof; and,
FIG. 8 is a top plan view thereof.

(56) **References Cited**

U.S. PATENT DOCUMENTS

3,881,663 A *	5/1975	Brown	241/225
D243,972 S *	4/1977	Kucyna et al.	D15/131
D255,243 S *	6/1980	Roch	D15/131

1 Claim, 7 Drawing Sheets



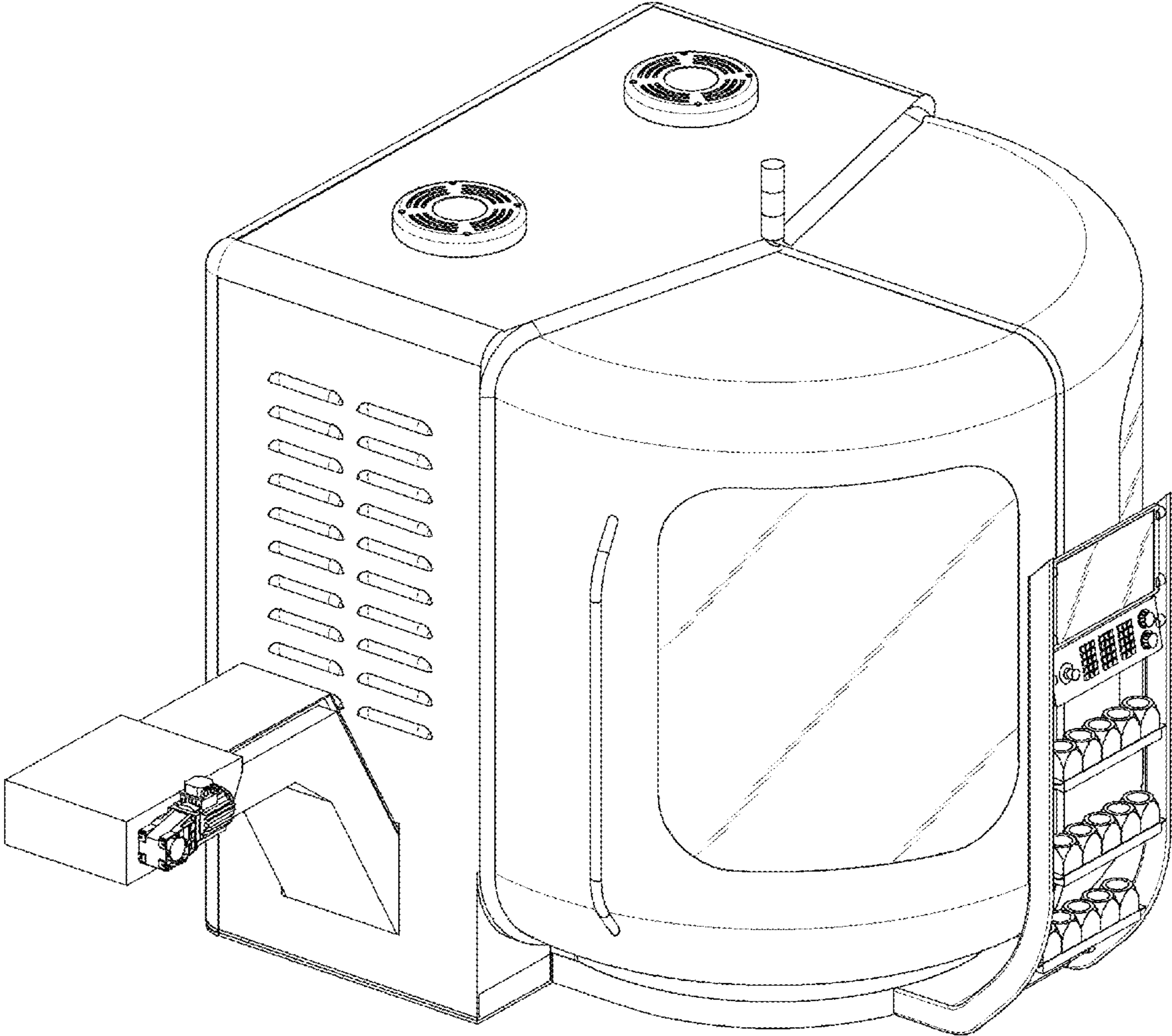


FIGURE 1

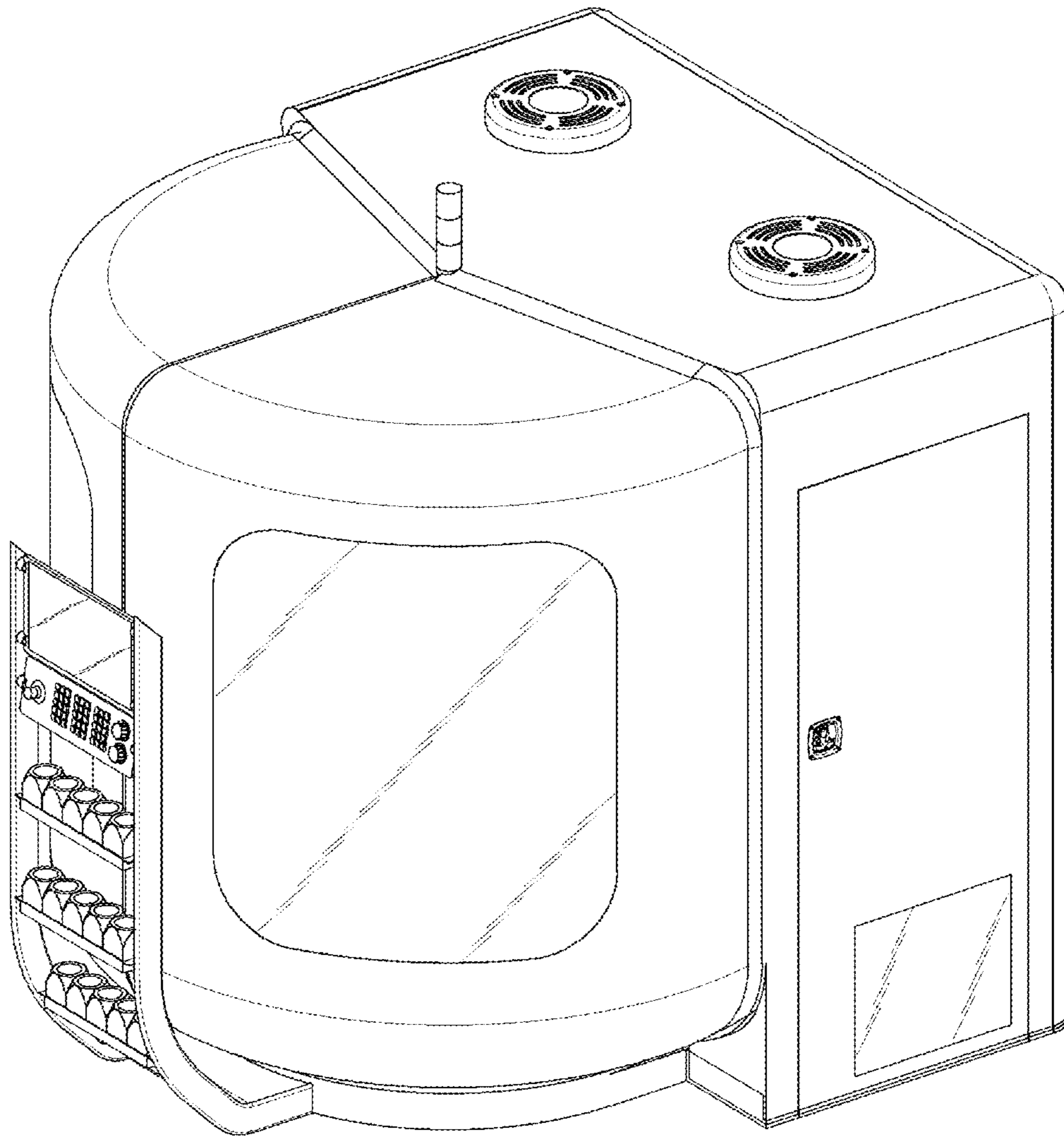


FIGURE 2

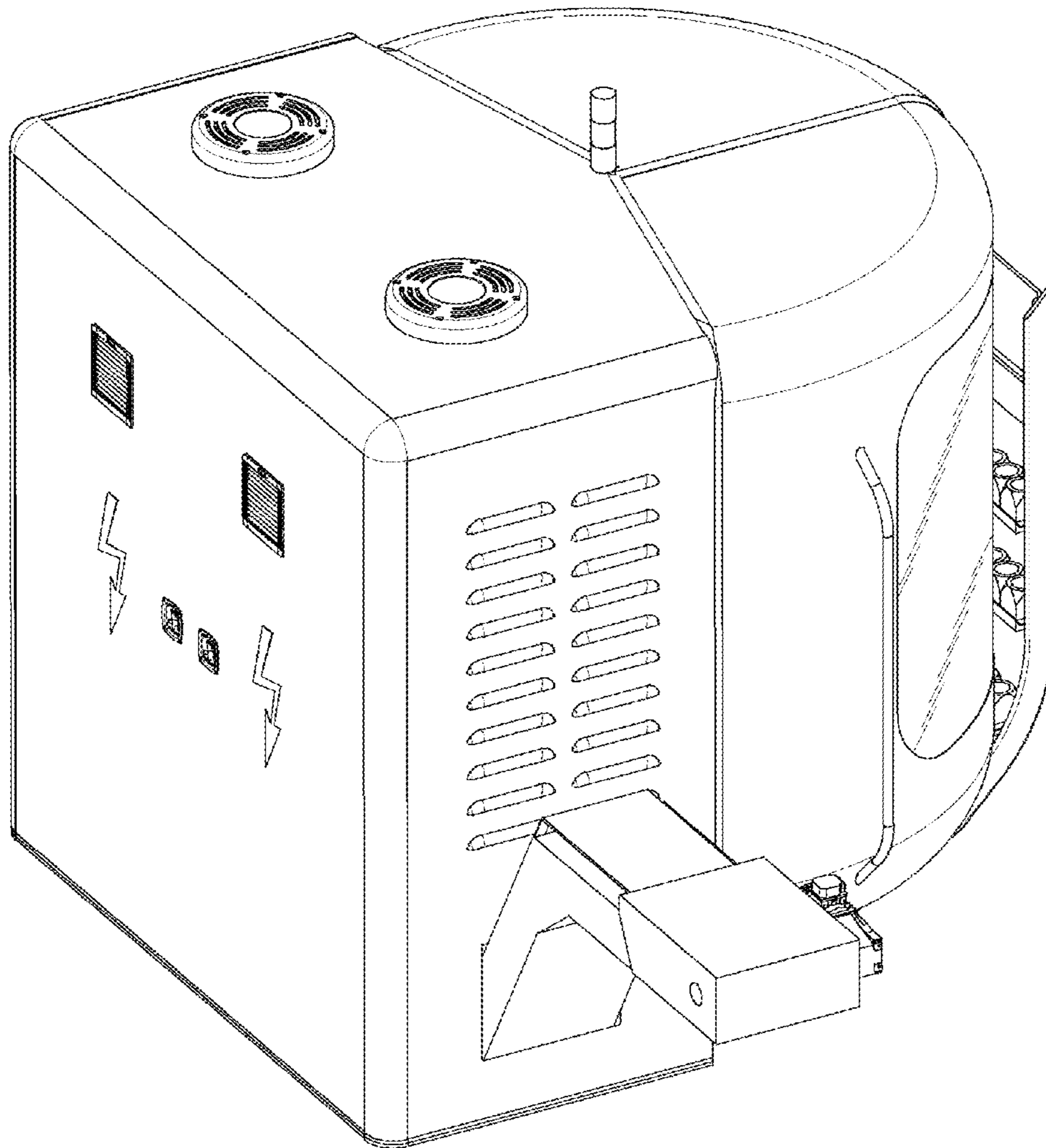


FIGURE 3

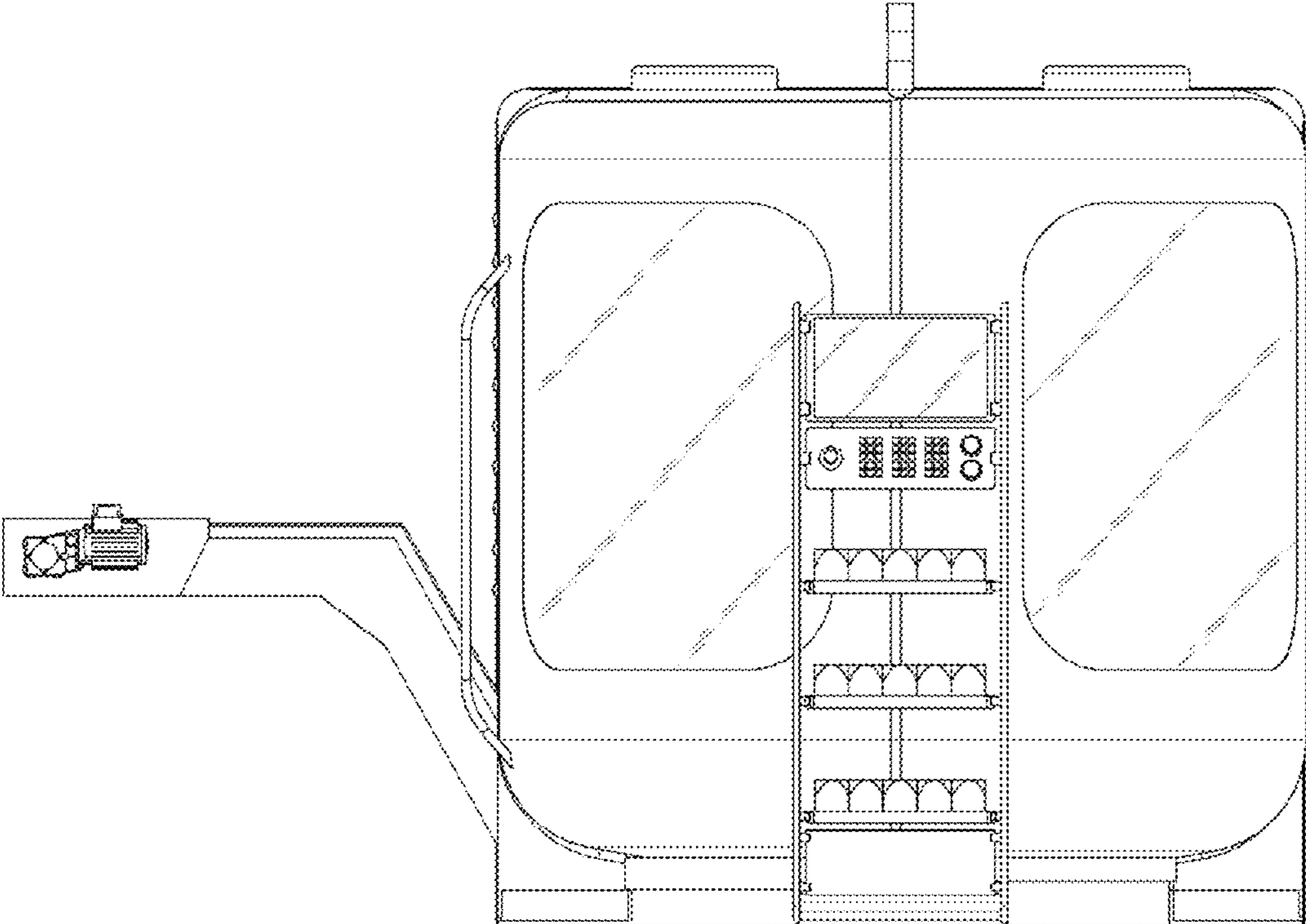


FIGURE 4

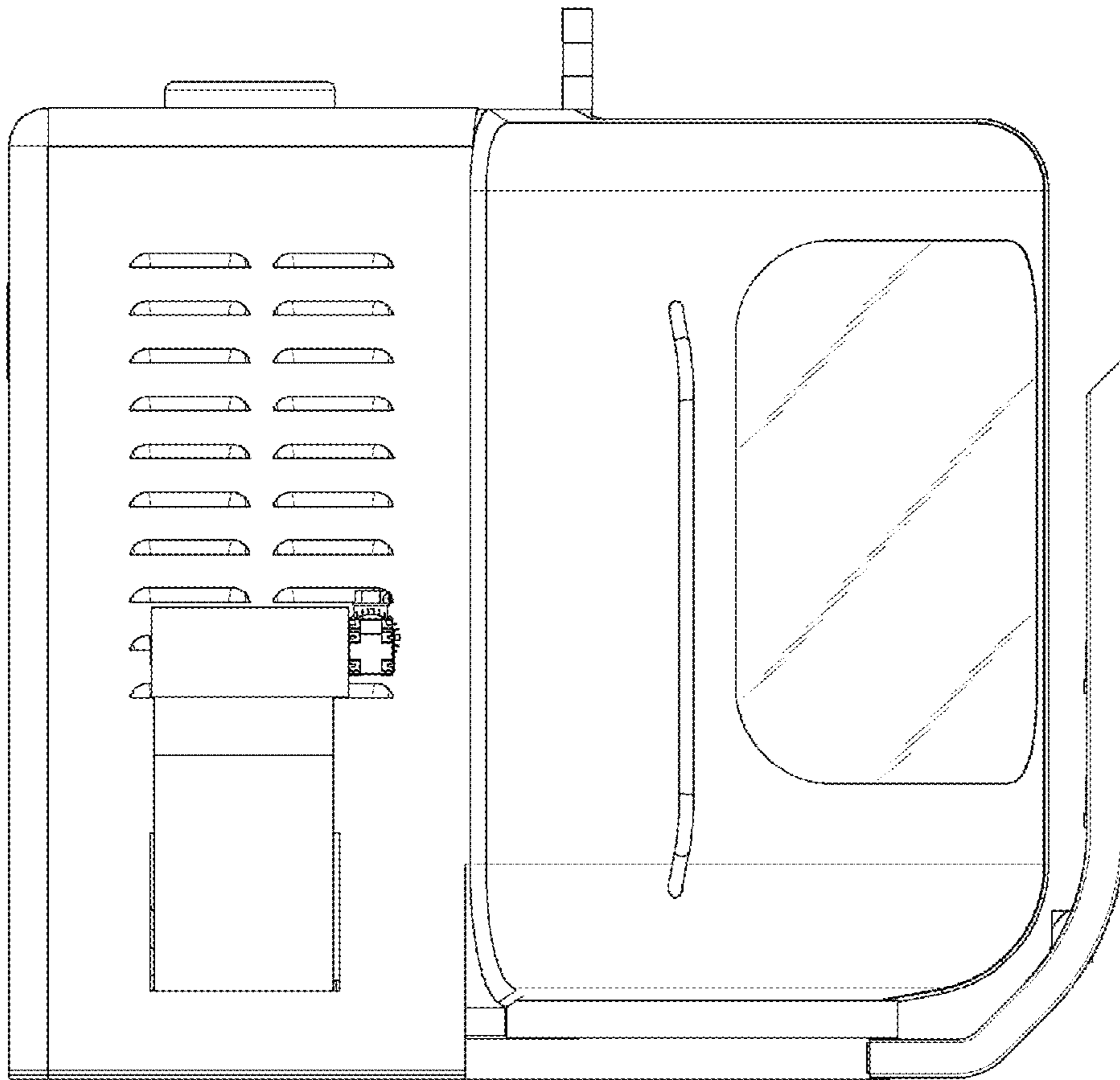


FIGURE 5

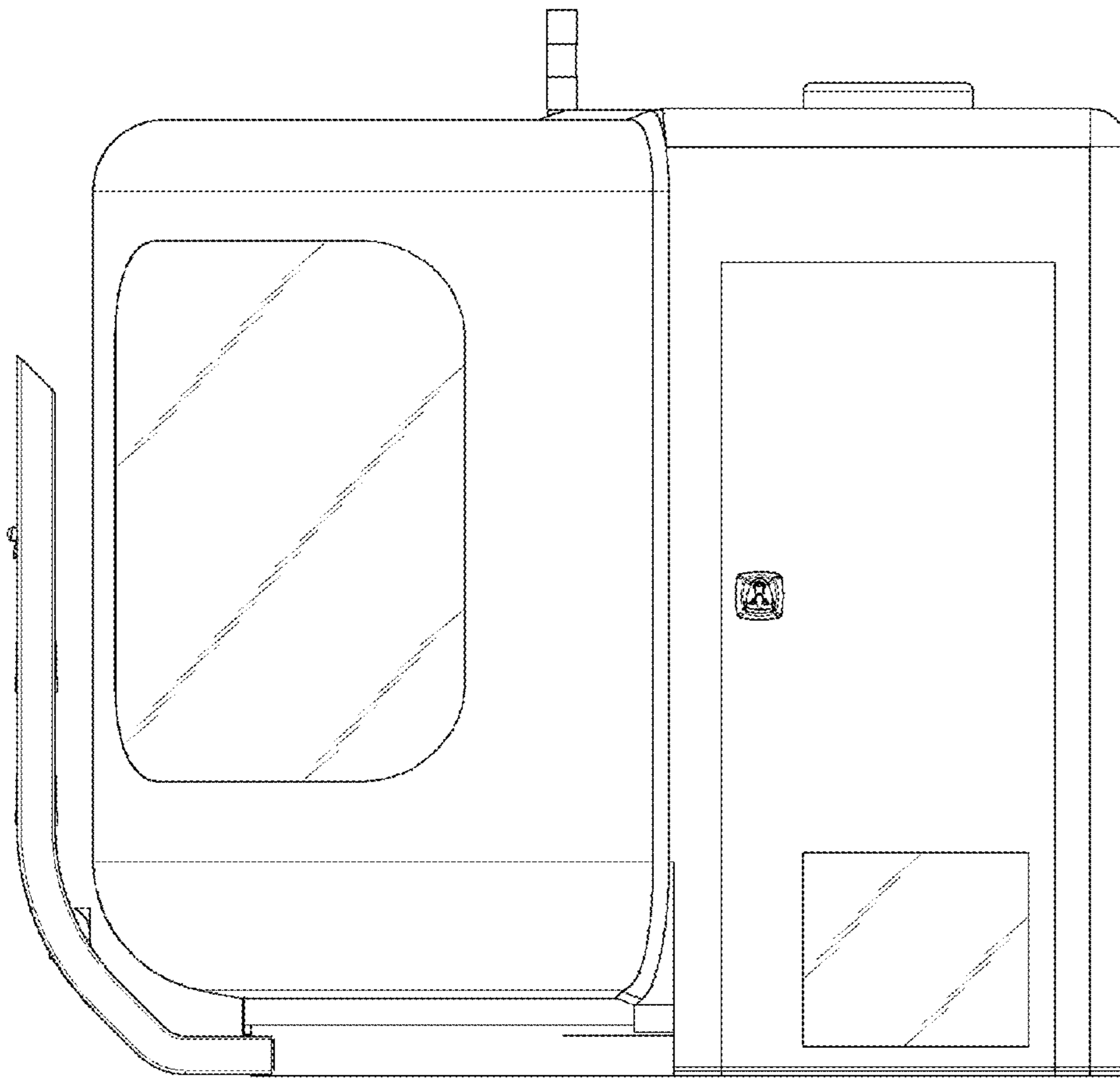


FIGURE 6

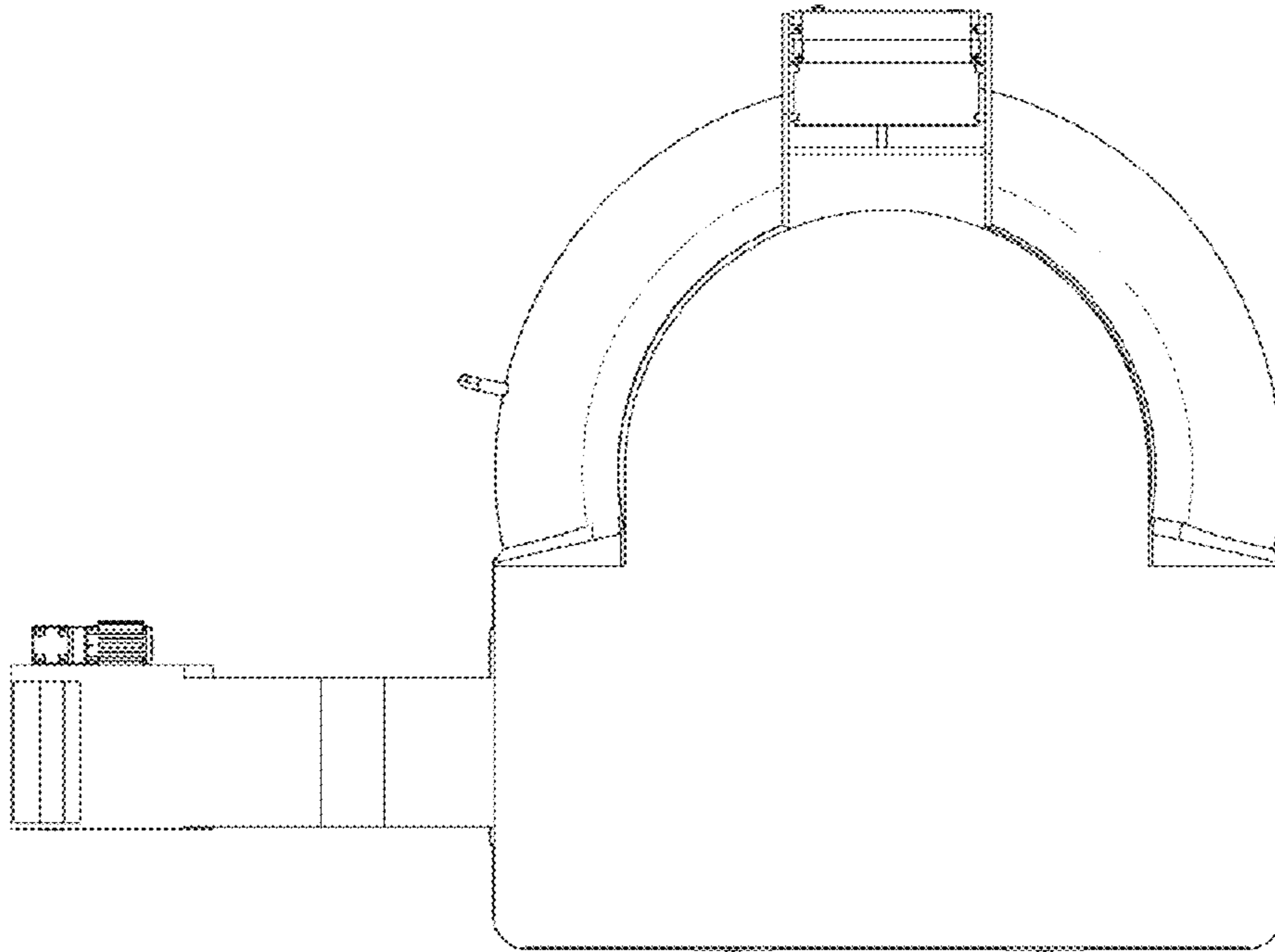


FIGURE 7

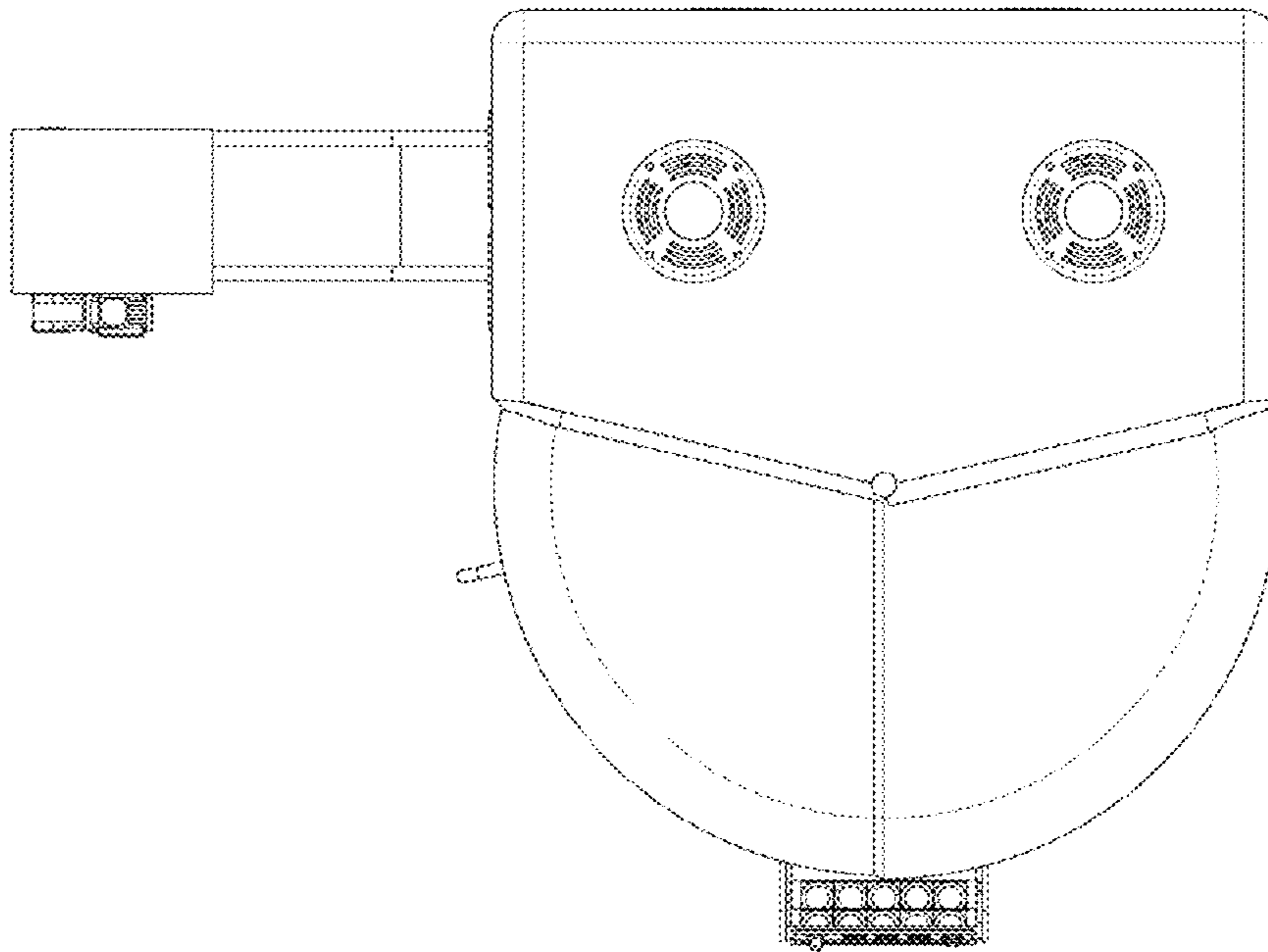


FIGURE 8