



US00D706319S

(12) **United States Design Patent**  
**Banjo**

(10) **Patent No.:** **US D706,319 S**  
(45) **Date of Patent:** **\*\* Jun. 3, 2014**

(54) **SPLITTING WEDGE SYSTEM FOR LOG SPLITTER**

(71) Applicant: **Daniel Banjo**, Boulder, CO (US)

(72) Inventor: **Daniel Banjo**, Boulder, CO (US)

(73) Assignee: **Frictionless World LLC**, Louisville, CO (US)

(\*\*) Term: **14 Years**

(21) Appl. No.: **29/471,862**

(22) Filed: **Nov. 6, 2013**

(51) **LOC (10) Cl.** ..... **15-09**

(52) **U.S. Cl.**  
USPC ..... **D15/127**

(58) **Field of Classification Search**  
CPC ..... B27L 7/00; B27L 7/06; B27L 7/005;  
B27M 1/08; B27M 1/00  
USPC ..... D8/47; D15/138, 139, 199  
See application file for complete search history.

(56) **References Cited**

U.S. PATENT DOCUMENTS

3,862,651	A *	1/1975	Heikkinen	.....	144/4.6
D255,686	S *	7/1980	Duppong et al.	.....	D15/139
4,412,570	A *	11/1983	Nickerson	.....	144/195.1
4,444,232	A *	4/1984	Loos	.....	144/195.1
4,453,580	A *	6/1984	Patten	.....	144/195.1
4,467,851	A *	8/1984	Hockman	.....	144/193.1
4,488,585	A *	12/1984	Kendziorski	.....	144/195.7
4,506,712	A *	3/1985	Johnson	.....	144/195.1
4,589,457	A *	5/1986	Schmidt et al.	.....	144/195.8
4,782,870	A *	11/1988	Duerr	.....	144/195.1
5,337,810	A *	8/1994	McCormack	.....	144/195.1
D385,167	S *	10/1997	Weber	.....	D8/47

D528,570	S *	9/2006	Lewis et al.	.....	D15/127
7,255,143	B1 *	8/2007	Babcock et al.	.....	144/195.1
D552,133	S *	10/2007	Babcock et al.	.....	D15/127
D566,733	S *	4/2008	Babcock	.....	D15/138
D669,507	S *	10/2012	Banjo et al.	.....	D15/127
D676,883	S *	2/2013	Banjo et al.	.....	D15/127
2011/0041955	A1 *	2/2011	Bedel	.....	144/195.1
2011/0079323	A1 *	4/2011	Green	.....	144/195.8

\* cited by examiner

*Primary Examiner* — Patricia Palasik

(74) *Attorney, Agent, or Firm* — Marsh Fischmann & Breyfogle LLP; Jonathon A. Szumny

(57) **CLAIM**

The ornamental design for a “splitting wedge system for log splitter,” as shown and described.

**DESCRIPTION**

FIG. 1 is a perspective view of the splitting wedge system being attached to a log splitter beam of a log splitter.

FIG. 2 is a right side view of the perspective view of FIG. 1.

FIG. 3 is a perspective view of the splitting wedge system of FIG. 1.

FIG. 4 is a top view of the splitting wedge system of FIG. 1.

FIG. 5 is a right side view of the splitting wedge system of FIG. 1, the left side being a mirror image thereof.

FIG. 6 is a front view of the splitting wedge system of FIG. 1.

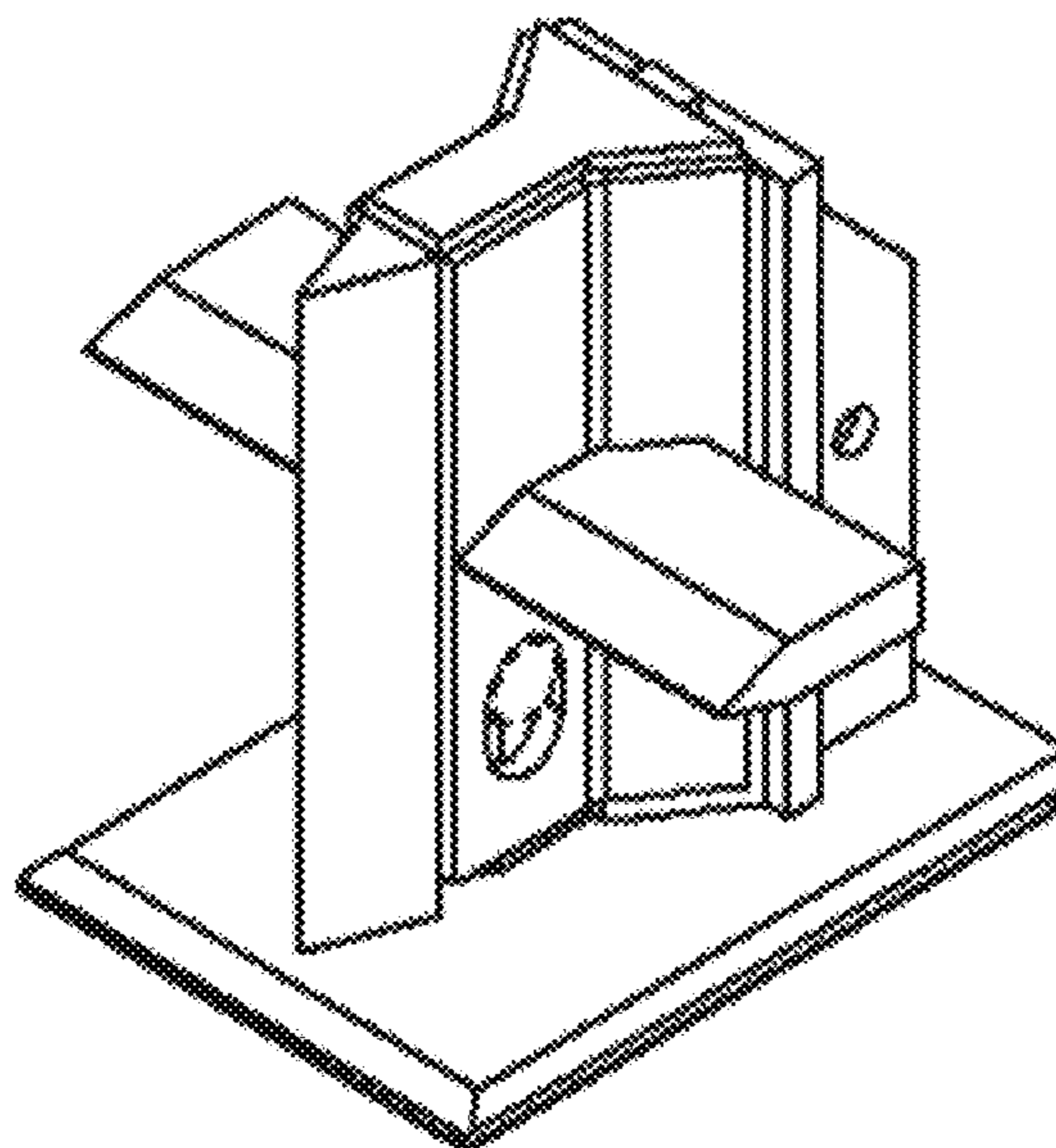
FIG. 7 is a rear view of the splitting wedge system of FIG. 1; and,

FIG. 8 is a bottom view of the splitting wedge system of FIG. 1.

A left side view of the splitting wedge system of FIG. 3 a has been omitted because it is a mirror image of the right side view of FIG. 3c.

All broken lines are for illustrative purposes only and form no part of the claimed design.

**1 Claim, 5 Drawing Sheets**



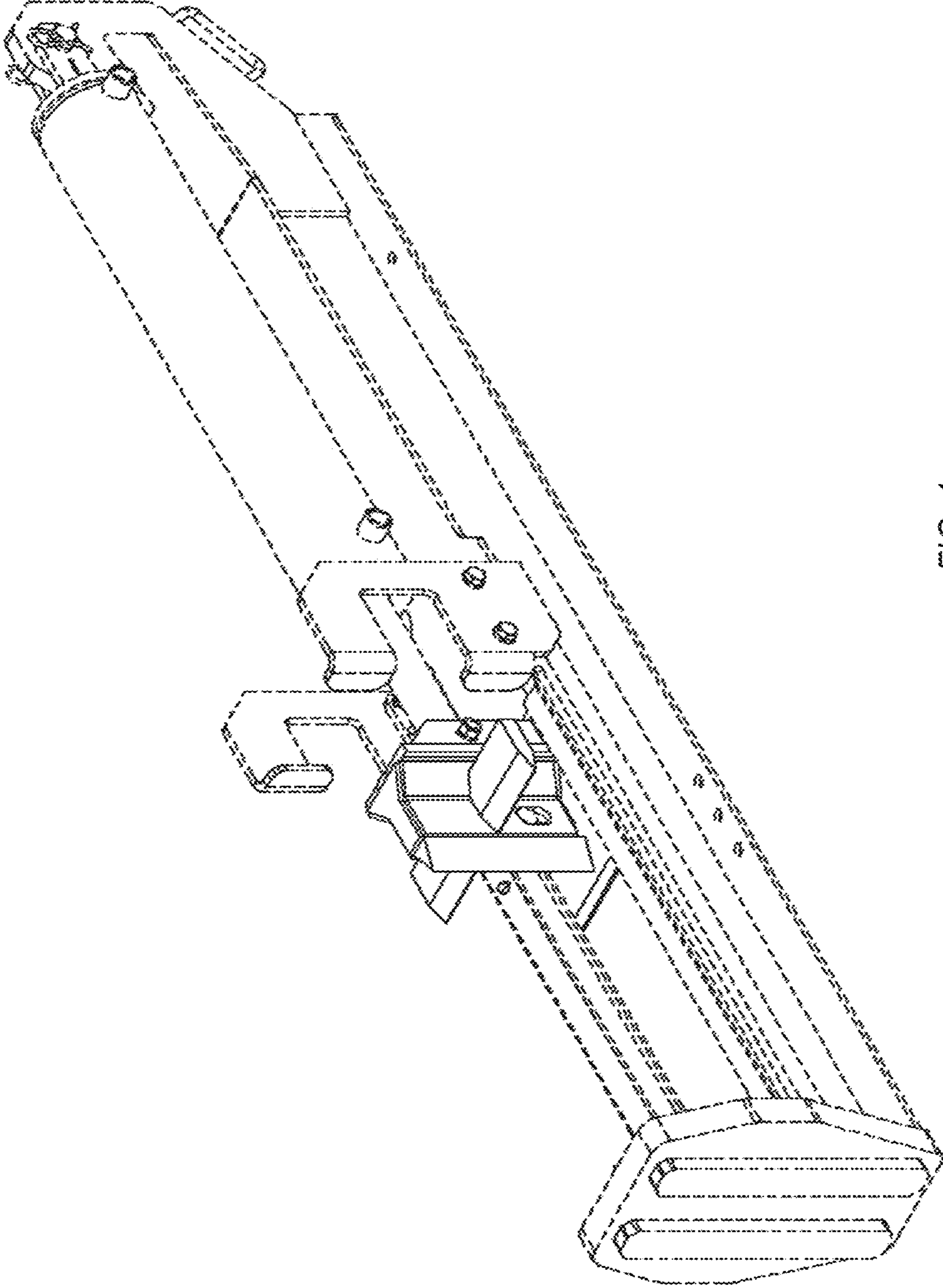


FIG. 1

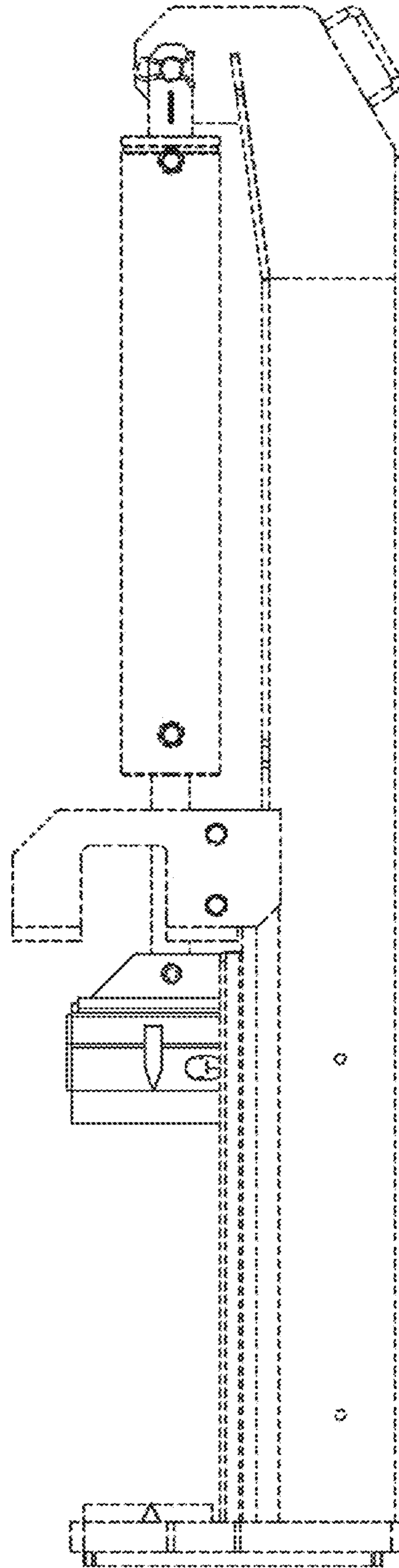


FIG. 2

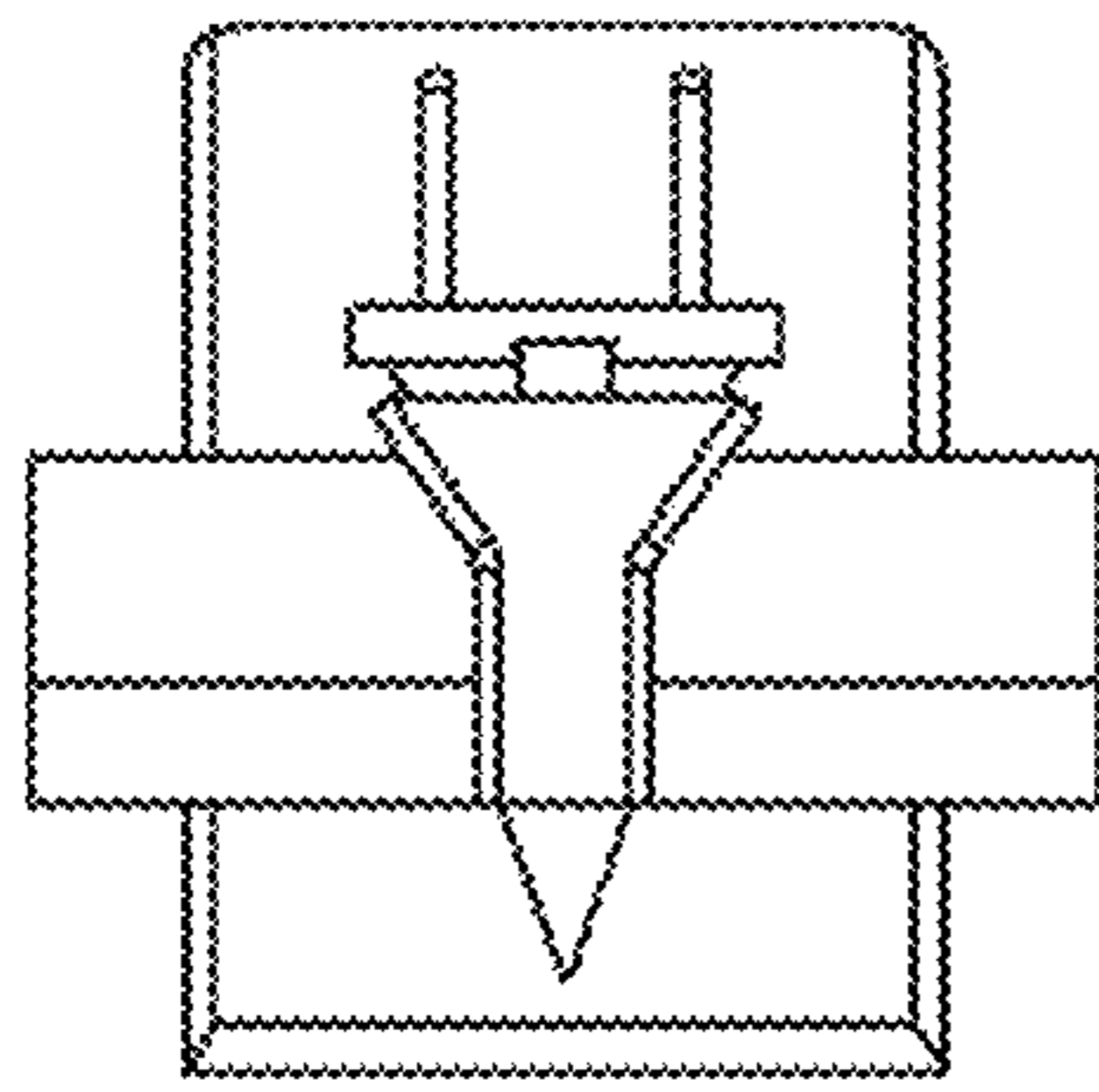


FIG. 4

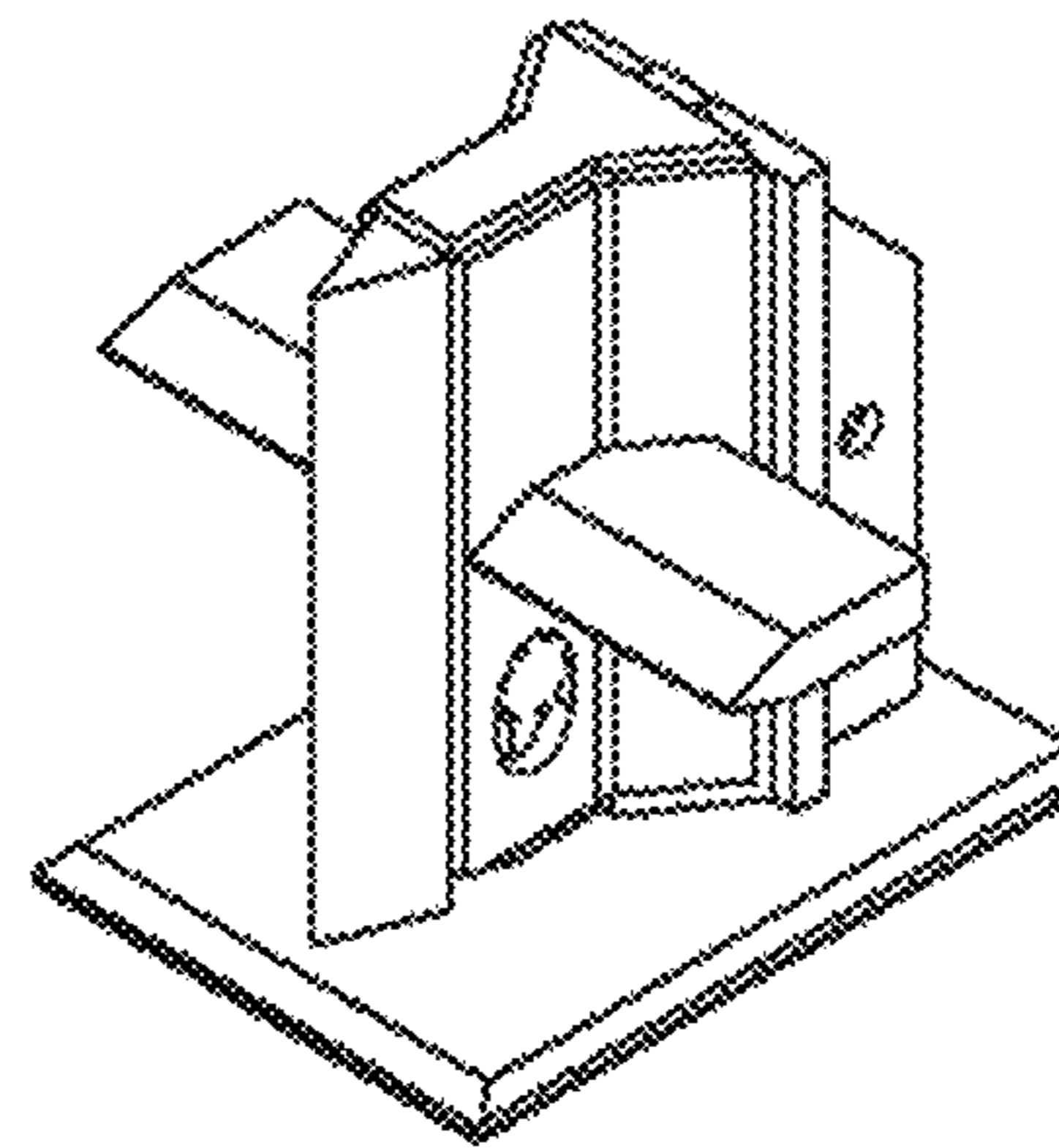


FIG. 3

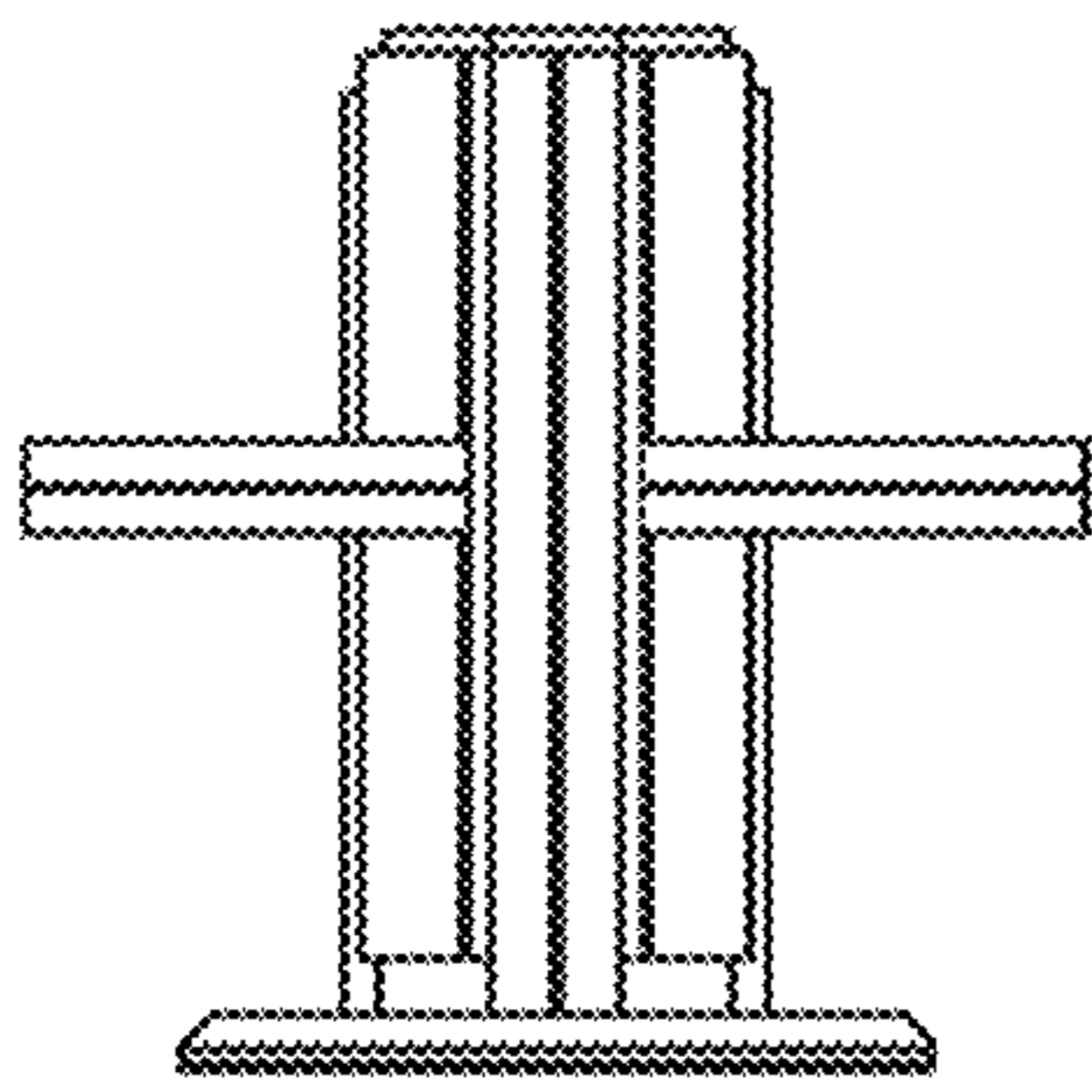


FIG. 6

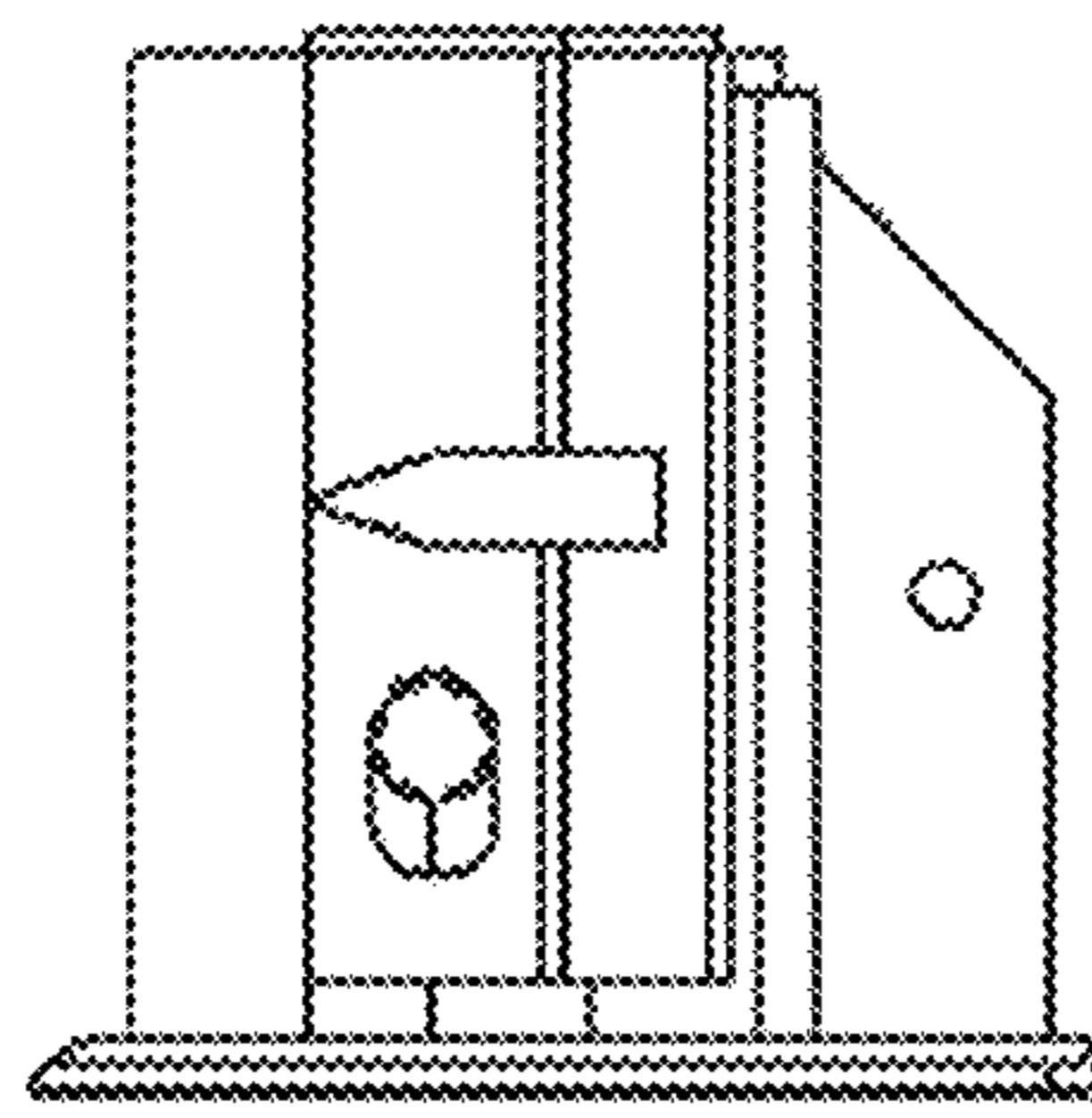


FIG. 5

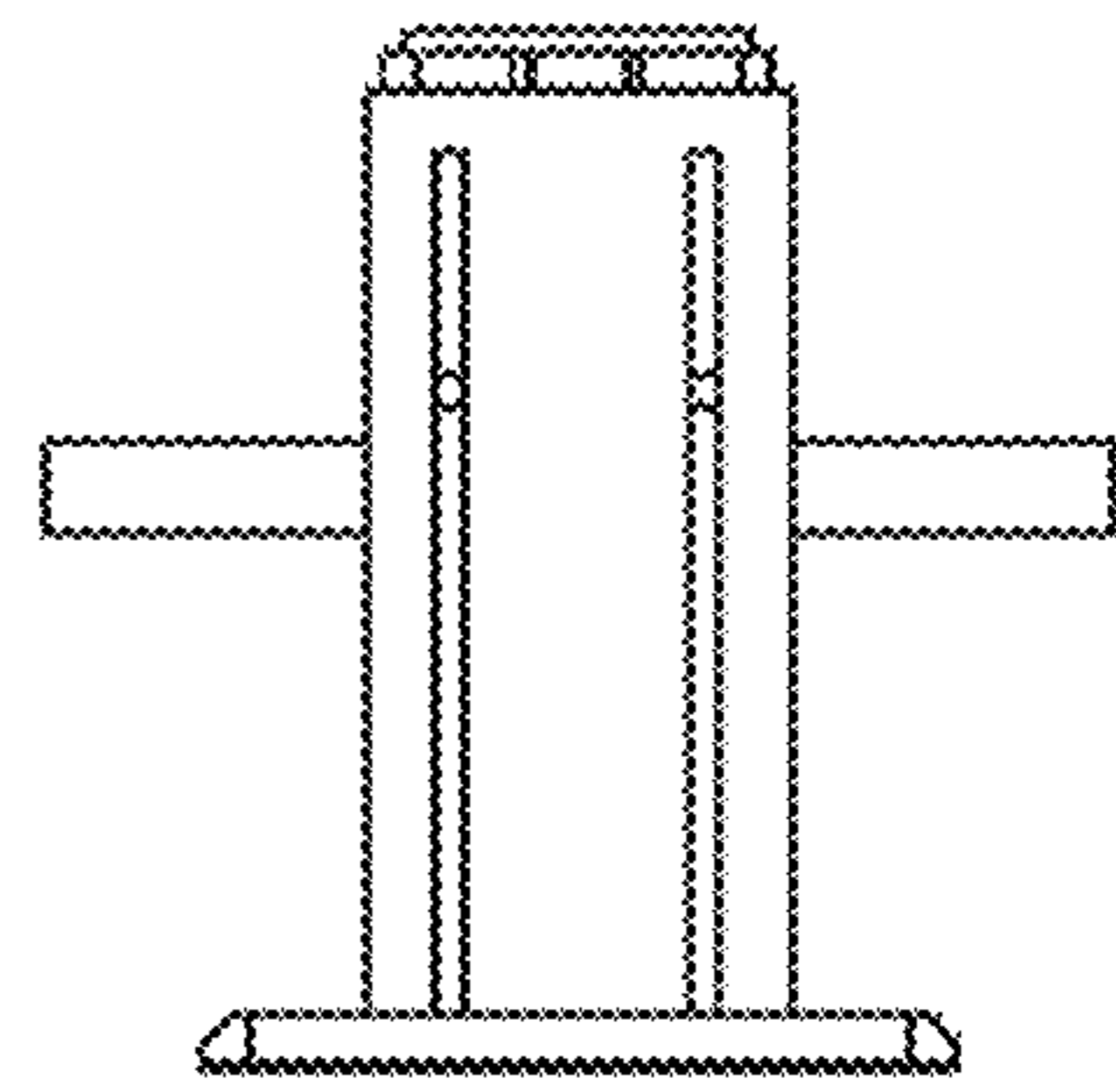


FIG. 7

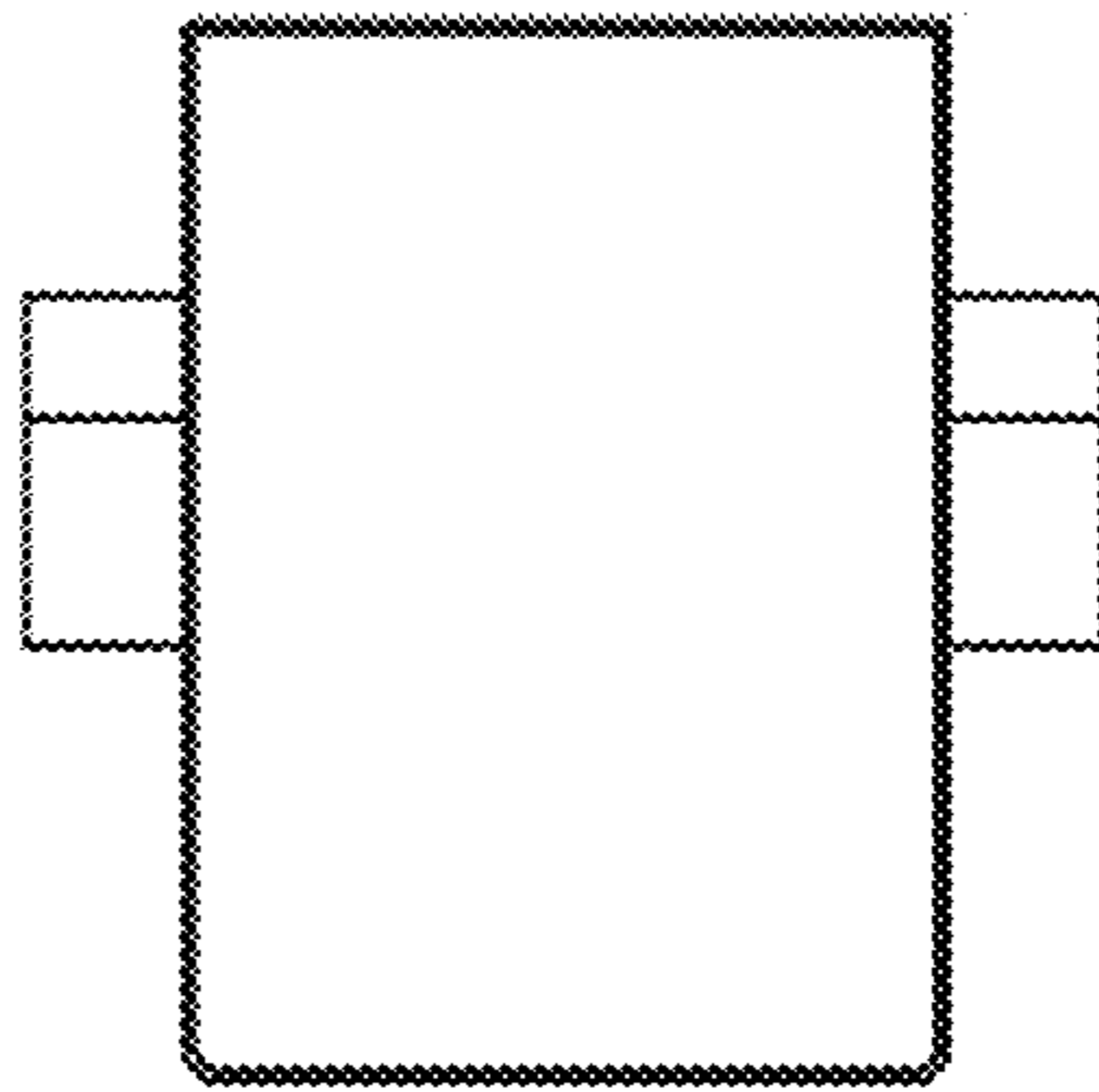


FIG. 8

UNITED STATES PATENT AND TRADEMARK OFFICE  
**CERTIFICATE OF CORRECTION**

PATENT NO. : D706,319 S  
APPLICATION NO. : 29/471862  
DATED : June 3, 2014  
INVENTOR(S) : Banjo

Page 1 of 1

It is certified that error appears in the above-identified patent and that said Letters Patent is hereby corrected as shown below:

Title page: Column 2, item (57), delete “A left side view of the splitting wedge system of FIG. 3 a has been omitted because it is a mirror image of the right side view of FIG. 3c” and insert therefor --A left side view of the splitting wedge system of FIG. 3 has been omitted because it is a mirror image of the right side view of FIG. 5--.

Signed and Sealed this  
Ninth Day of September, 2014



Michelle K. Lee  
*Deputy Director of the United States Patent and Trademark Office*