



US00D706318S

(12) **United States Design Patent**
Banjo

(10) **Patent No.:** **US D706,318 S**
(45) **Date of Patent:** **** Jun. 3, 2014**

- (54) **SPLITTING WEDGE BASE FOR LOG SPLITTER**
- (71) Applicant: **Daniel Banjo**, Boulder, CO (US)
- (72) Inventor: **Daniel Banjo**, Boulder, CO (US)
- (73) Assignee: **Frictionless World LLC**, Louisville, CO (US)
- (**) Term: **14 Years**
- (21) Appl. No.: **29/471,857**
- (22) Filed: **Nov. 6, 2013**
- (51) **LOC (10) Cl.** **15-09**
- (52) **U.S. Cl.**
USPC **D15/127**
- (58) **Field of Classification Search**
CPC B27L 7/00; B27L 7/06; B27L 7/005;
B27M 1/08; B27M 1/00
USPC D8/47; D15/138, 139, 199
See application file for complete search history.

- D528,570 S * 9/2006 Lewis et al. D15/127
- 7,255,143 B1 * 8/2007 Babcock et al. 144/195.1
- D552,133 S * 10/2007 Babcock et al. D15/127
- D566,733 S * 4/2008 Babcock D15/138
- D669,507 S * 10/2012 Banjo et al. D15/127
- D676,883 S * 2/2013 Banjo et al. D15/127
- 2011/0041955 A1 * 2/2011 Bedel 144/195.1
- 2011/0079323 A1 * 4/2011 Green 144/195.8

* cited by examiner

Primary Examiner — Patricia Palasik

(74) *Attorney, Agent, or Firm* — Marsh Fischmann & Breyfogle LLP; Jonathon A. Szumny

(57) **CLAIM**

The ornamental design for a “splitting wedge base for log splitter,” as shown and described.

DESCRIPTION

FIG. 1 is a perspective view of the splitting wedge base being attached to a log splitter beam of a log splitter.

FIG. 2 is a right side view of the perspective view of FIG. 1.

FIG. 3 is a perspective view of the splitting wedge base of FIG. 1.

FIG. 4 is a top view of the splitting wedge base of FIG. 3.

FIG. 5 is a right side view of the splitting wedge base of FIG. 3 the left side being a mirror image thereof.

FIG. 6 is a front view of the splitting wedge base of FIG. 3; and,

FIG. 7 is a rear view of the splitting wedge base of FIG. 3.

A bottom view of the splitting wedge base of FIG. 3a has been omitted because it is flat and devoid of surface ornamentation.

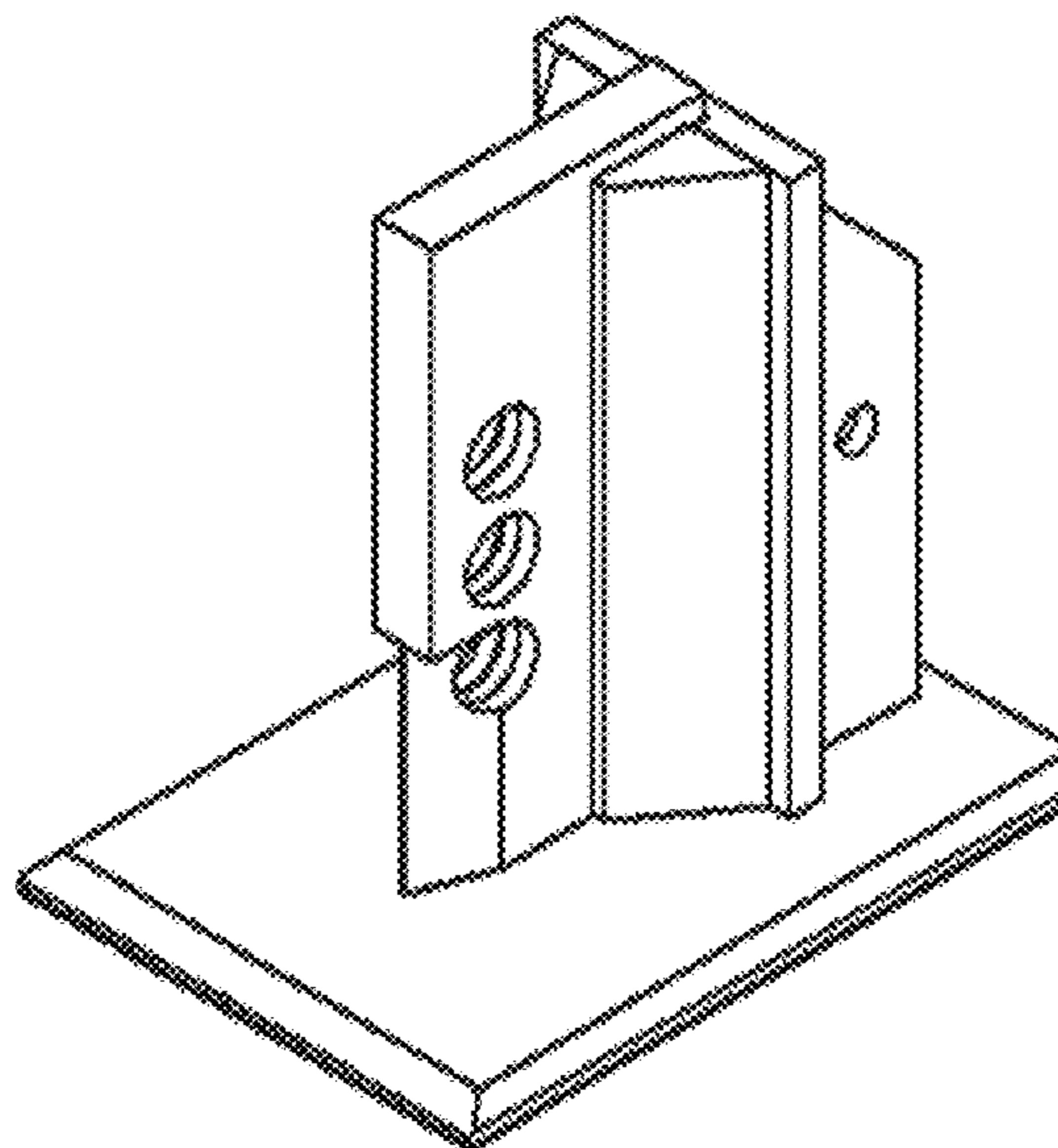
All broken lines are for illustrative purposes only and form no part of the claimed design.

1 Claim, 3 Drawing Sheets

(56) **References Cited**

U.S. PATENT DOCUMENTS

- 3,862,651 A * 1/1975 Heikkinen 144/4.6
- D255,686 S * 7/1980 Duppong et al. D15/139
- 4,412,570 A * 11/1983 Nickerson 144/195.1
- 4,444,232 A * 4/1984 Loos 144/195.1
- 4,453,580 A * 6/1984 Patten 144/195.1
- 4,467,851 A * 8/1984 Hockman 144/193.1
- 4,488,585 A * 12/1984 Kendziorski 144/195.7
- 4,506,712 A * 3/1985 Johnson 144/195.1
- 4,589,457 A * 5/1986 Schmidt et al. 144/195.8
- 4,782,870 A * 11/1988 Duerr 144/195.1
- 5,337,810 A * 8/1994 McCormack 144/195.1
- D385,167 S * 10/1997 Weber D8/47



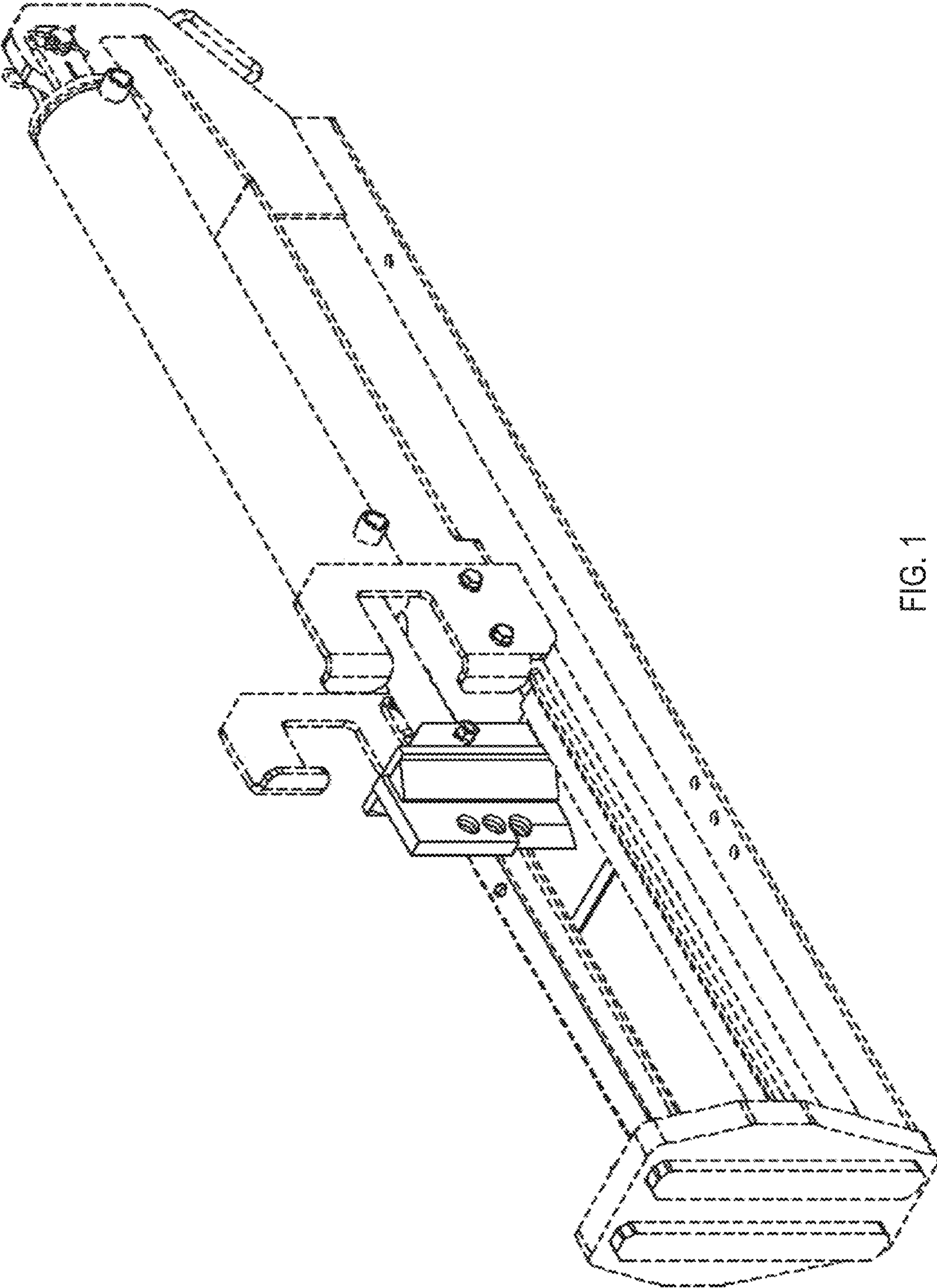


FIG. 1

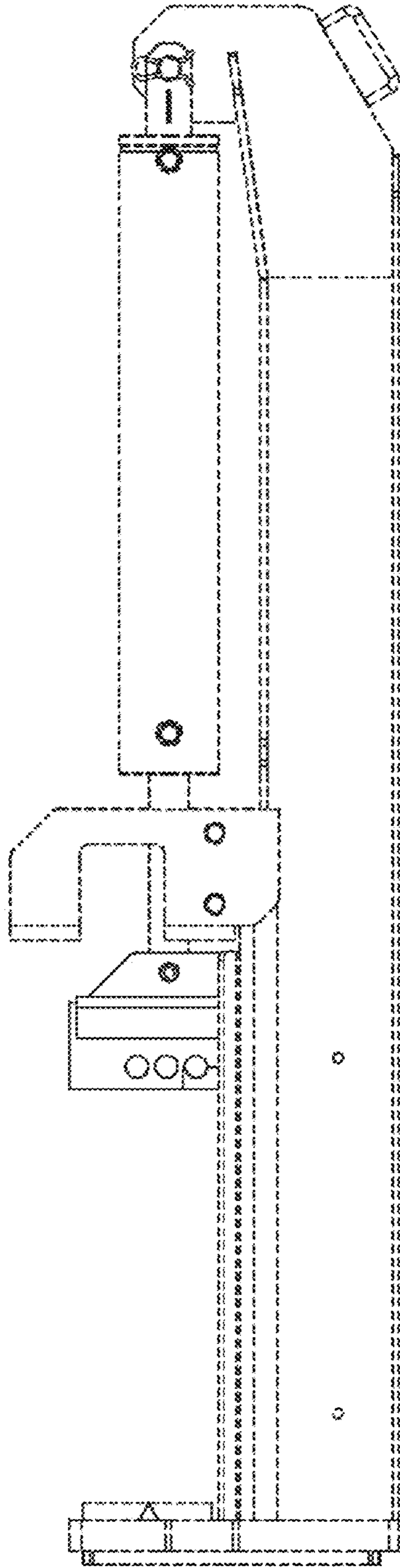


FIG. 2

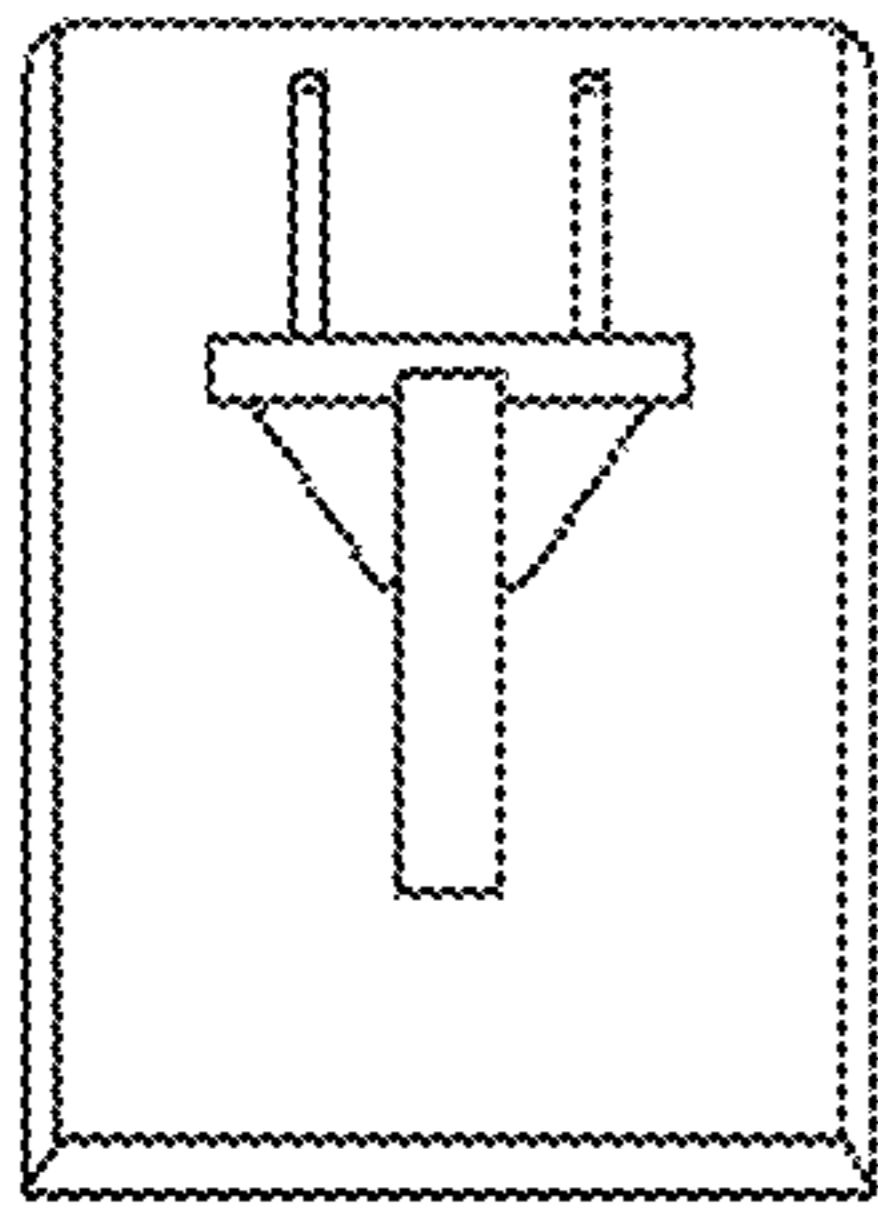


FIG. 4

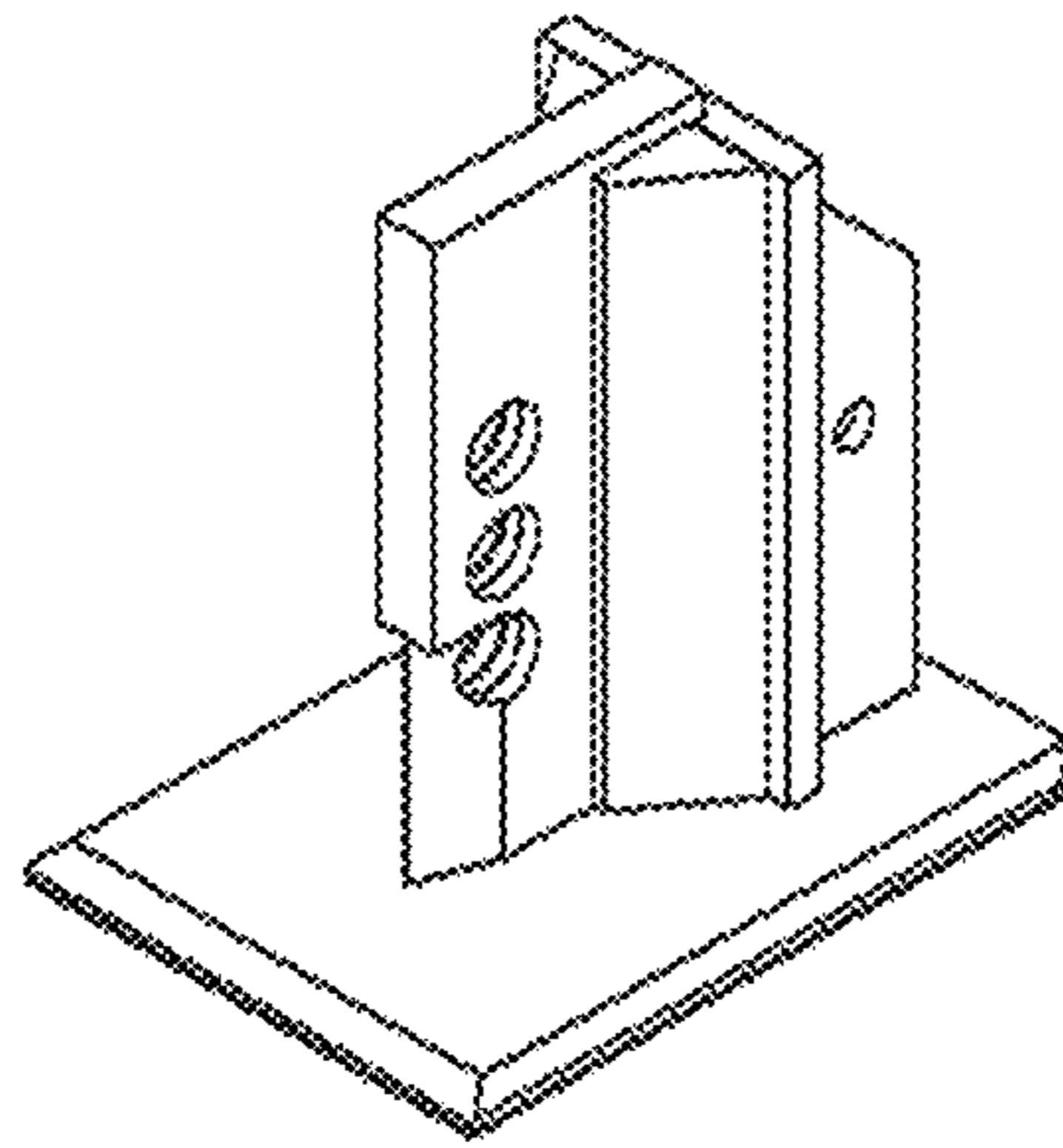


FIG. 3

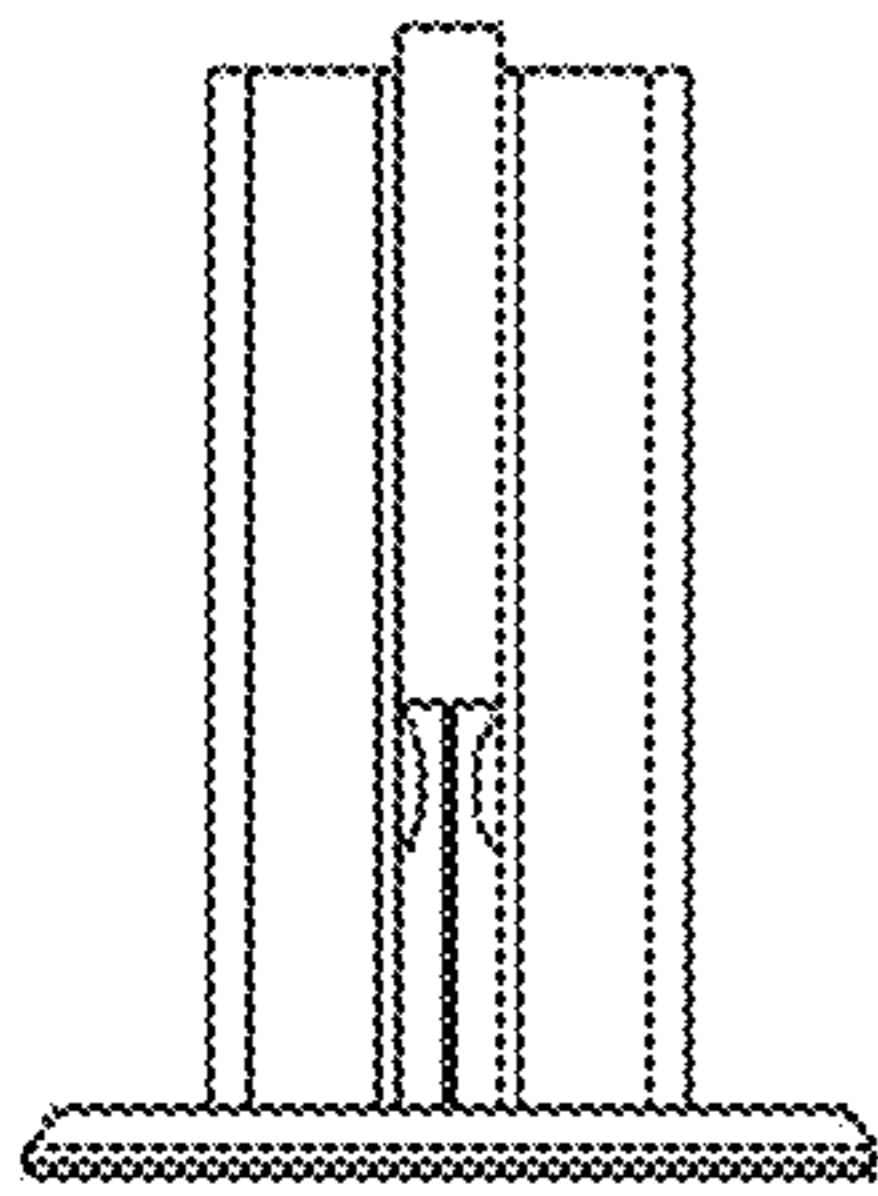


FIG. 6

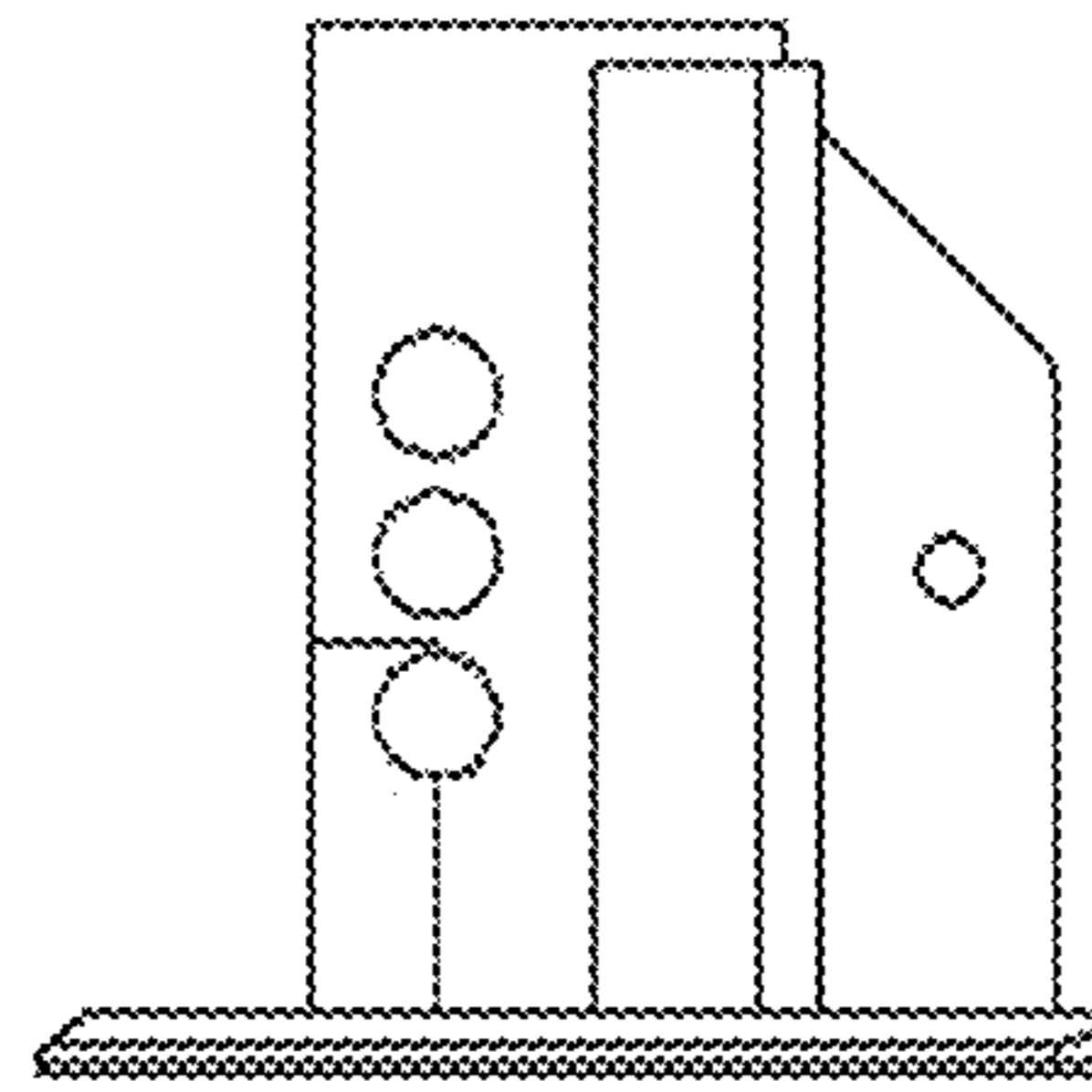


FIG. 5

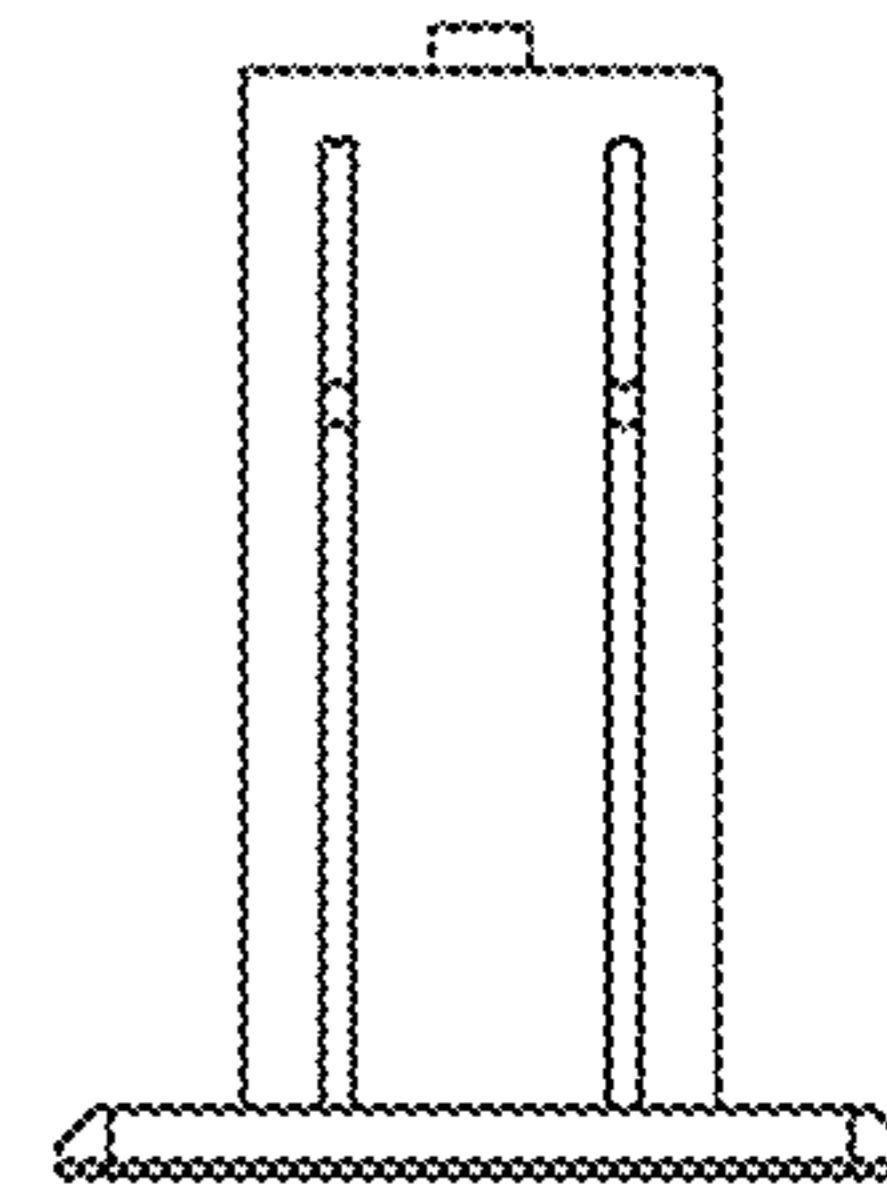


FIG. 7

UNITED STATES PATENT AND TRADEMARK OFFICE
CERTIFICATE OF CORRECTION

PATENT NO. : D706,318 S
APPLICATION NO. : 29/471857
DATED : June 3, 2014
INVENTOR(S) : Banjo

Page 1 of 1

It is certified that error appears in the above-identified patent and that said Letters Patent is hereby corrected as shown below:

Title page: Column 2, Item (57), delete "A bottom view of the splitting wedge base of FIG. 3a has been omitted because it is flat and devoid of surface ornamentation" and insert therefor --A bottom view of the splitting wedge base of FIG. 3 has been omitted because it is flat and devoid of surface ornamentation--.

Signed and Sealed this
Twenty-third Day of September, 2014



Michelle K. Lee
Deputy Director of the United States Patent and Trademark Office