



US00D706317S

(12) **United States Design Patent**
Eliason

(10) **Patent No.:** **US D706,317 S**
(45) **Date of Patent:** **** Jun. 3, 2014**

(54) **PORTABLE WET ABRASIVE BLASTING UNIT**

2003/0124955 A1 * 7/2003 Hanson 451/2
2003/0199232 A1 * 10/2003 Rivir et al. 451/38
2004/0092216 A1 * 5/2004 Publ et al. 451/87

(71) Applicant: **Ecoquip, Inc.**, Chesapeake, VA (US)

* cited by examiner

(72) Inventor: **Keith Eliason**, Virginia Beach, VA (US)

Primary Examiner — Patricia Palasik

(**) Term: **14 Years**

(74) *Attorney, Agent, or Firm* — Bernard G. Pike; Pike IP Law, PLLC

(21) Appl. No.: **29/445,321**

(57) **CLAIM**

The ornamental design for the portable wet abrasive blasting unit, as shown and described.

(22) Filed: **Feb. 11, 2013**

DESCRIPTION

(51) **LOC (10) Cl.** **15-09**

(52) **U.S. Cl.**
USPC **D15/124**

(58) **Field of Classification Search**
USPC D12/19, 100–106, 129; D15/124, 125,
D15/126; 51/268, 272, 410, 424, 425, 426,
51/438; 451/38, 39, 40, 75, 87, 88, 89, 91,
451/99, 451

See application file for complete search history.

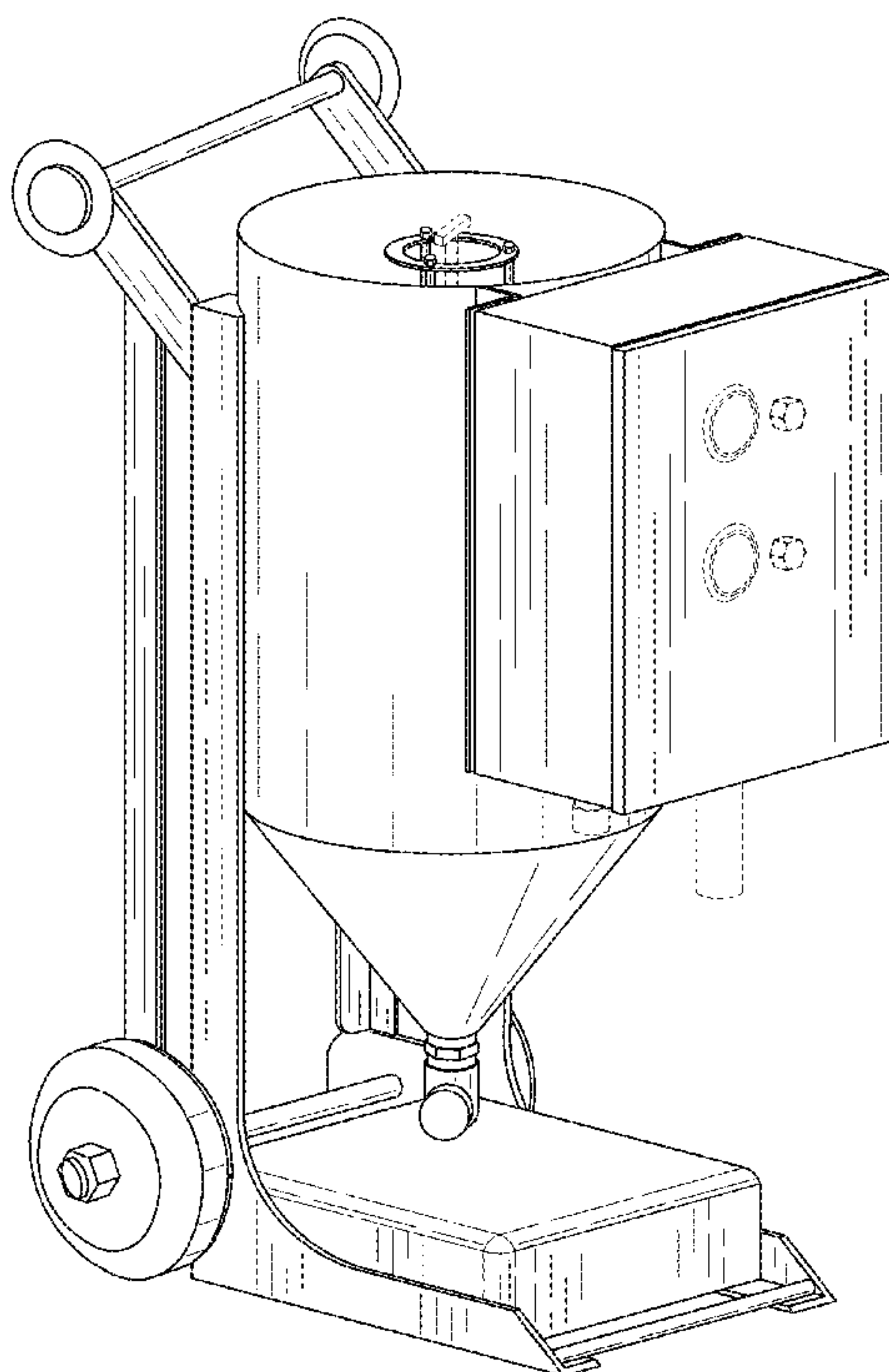
FIG. 1 is a perspective view of a first embodiment of a portable wet abrasive blasting unit;
FIG. 2 is a front view of the first embodiment of the portable wet abrasive blasting unit of FIG. 1;
FIG. 3 is a rear view of the first embodiment of the portable wet abrasive blasting unit of FIG. 1;
FIG. 4 is a left view of the first embodiment of the portable wet abrasive blasting unit of FIG. 1;
FIG. 5 is a right side view of the first embodiment of the portable wet abrasive blasting unit of FIG. 1;
FIG. 6 is a top view of the first embodiment of the portable wet abrasive blasting unit of FIG. 1; and,
FIG. 7 is a bottom view of the first embodiment of the portable wet abrasive blasting unit of FIG. 1.
Portions of the figures shown in broken, dashed lines illustrate the environment of the claimed ornamental features of the portable wet abrasive blasting unit and do not form any part of the ornamental design. Shading is shown in the figures merely to aid in the understanding of the scope of the claim.

(56) **References Cited**

U.S. PATENT DOCUMENTS

3,516,205 A * 6/1970 Thomson 451/87
D246,108 S * 10/1977 Ashworth D15/124
4,125,969 A * 11/1978 Easton 451/39
5,827,114 A * 10/1998 Yam et al. 451/75
6,099,395 A * 8/2000 Guseman 451/75
7,112,120 B2 * 9/2006 Rivir et al. 451/38
D534,557 S * 1/2007 Storer et al. D15/124
D653,685 S 2/2012 Farrow
D659,595 S 5/2012 Eliason
D669,922 S 10/2012 Eliason

1 Claim, 7 Drawing Sheets



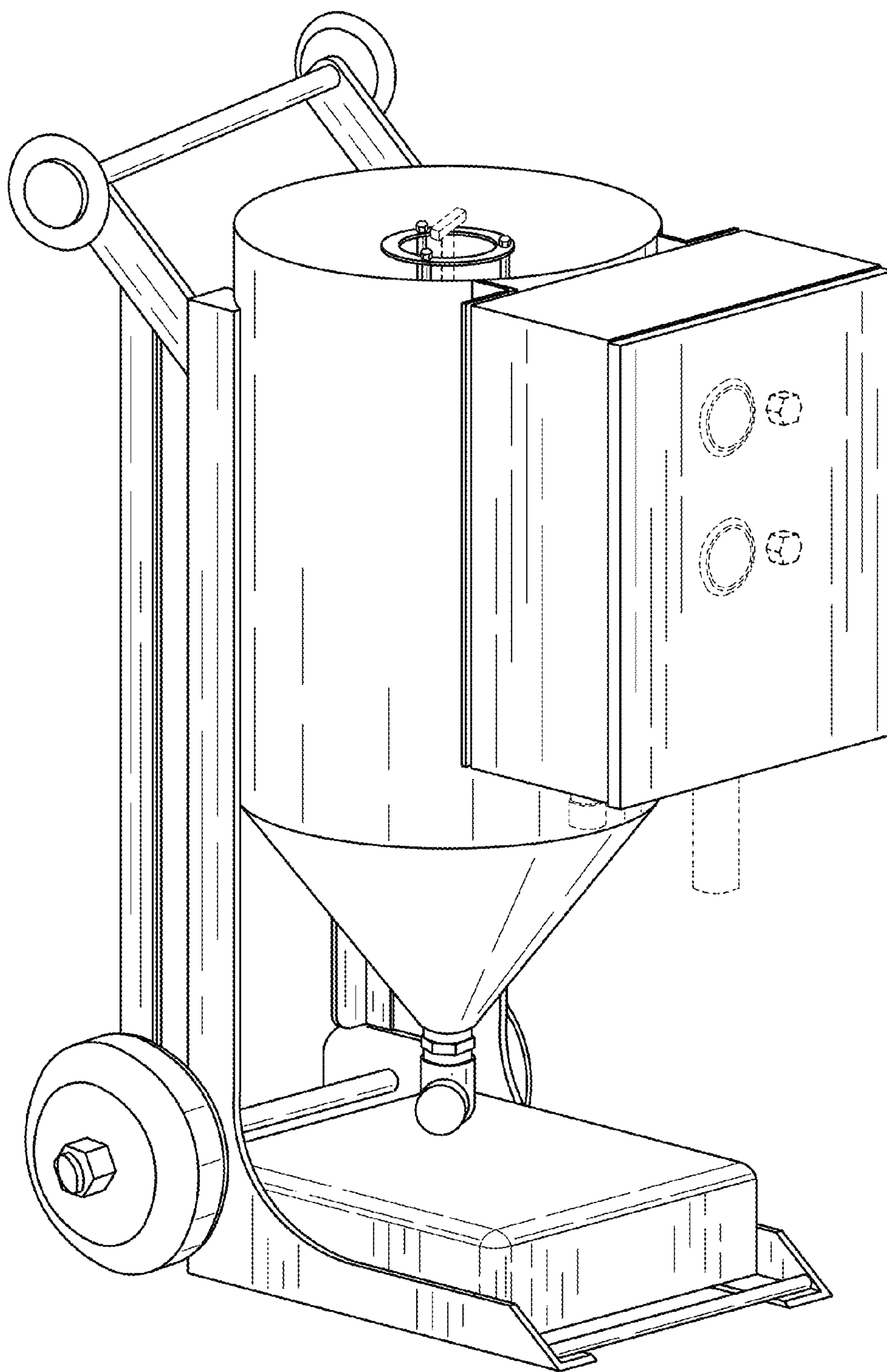


Fig. 1

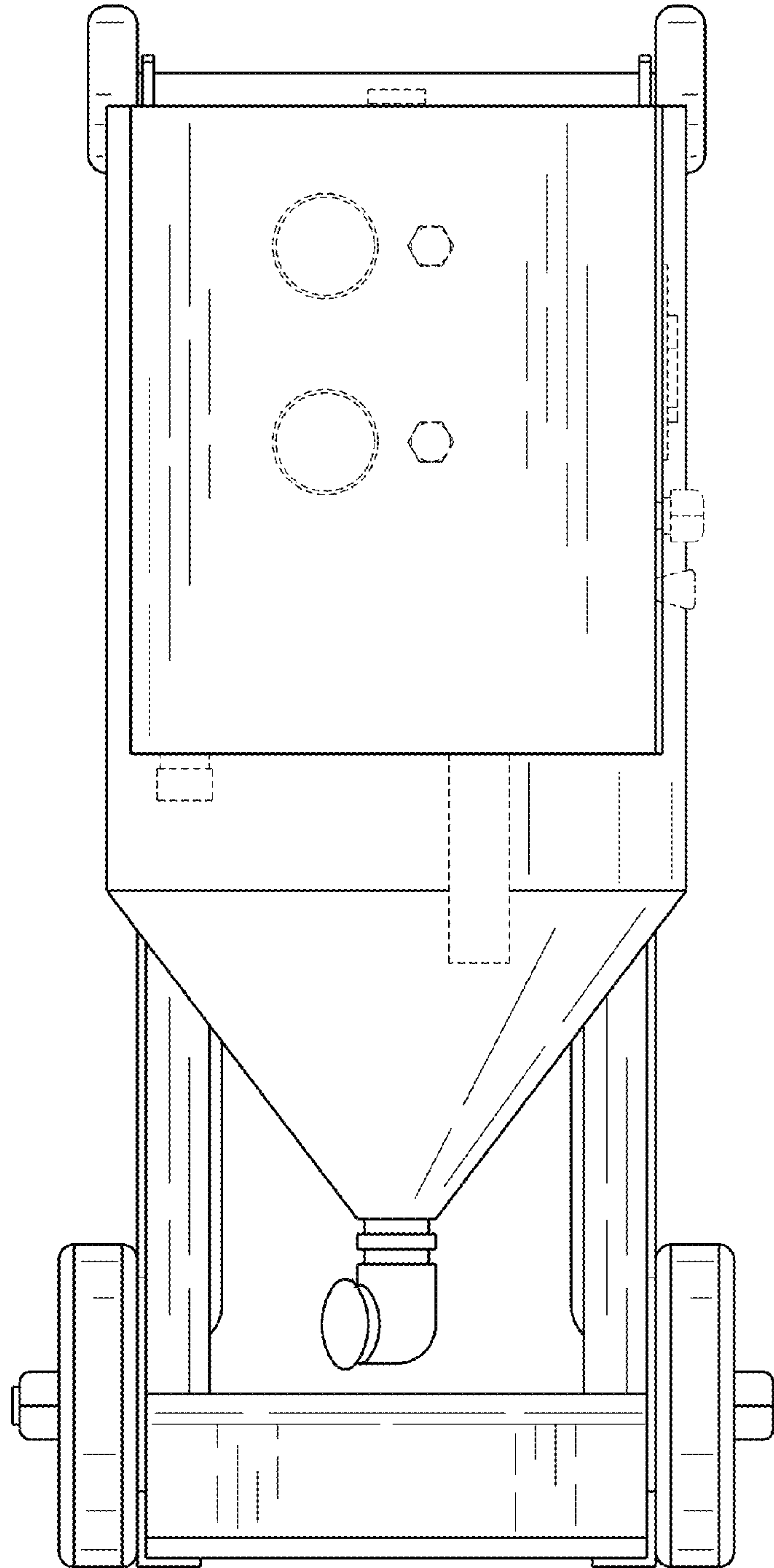


Fig. 2

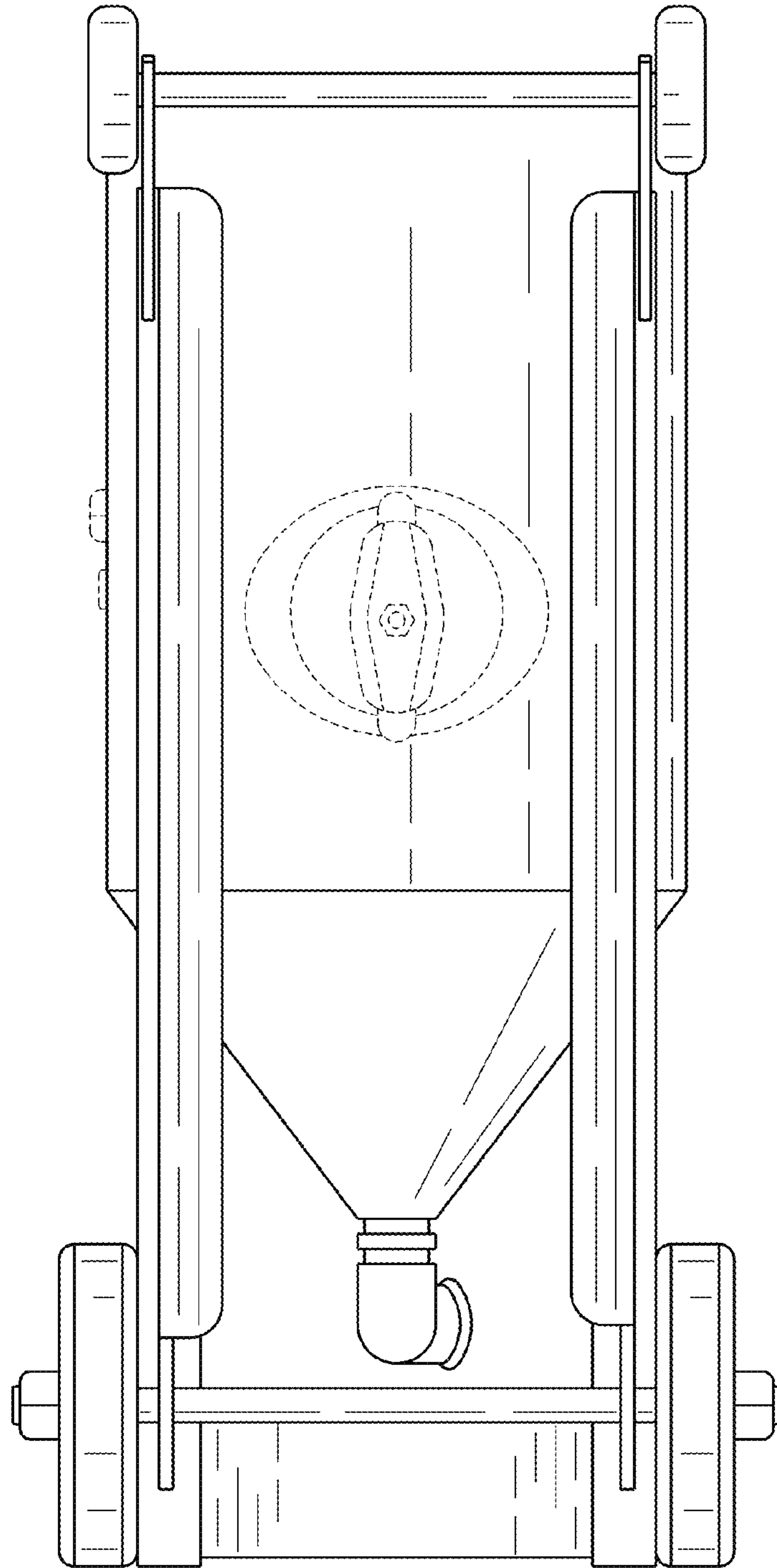


Fig. 3

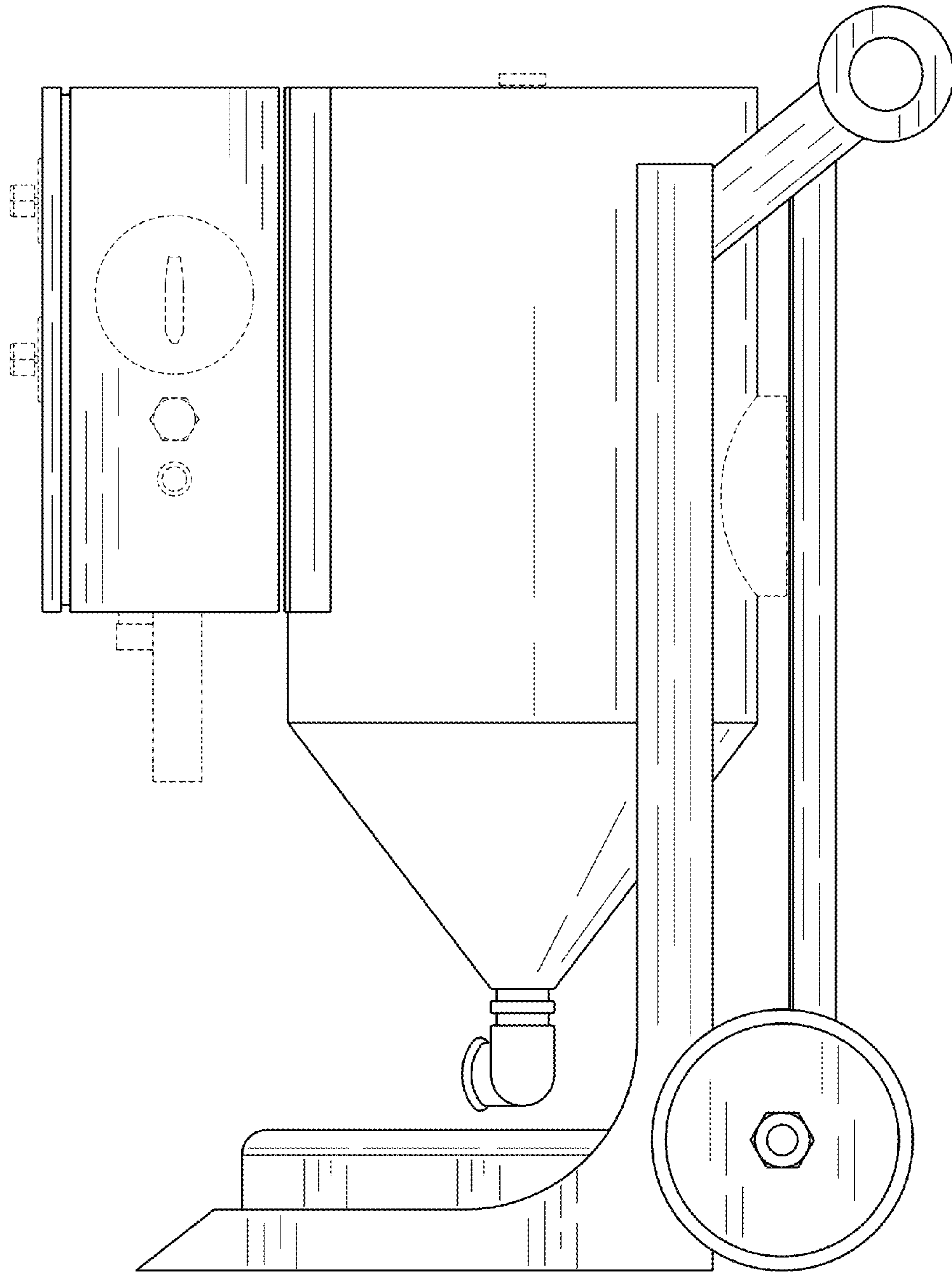


Fig. 4

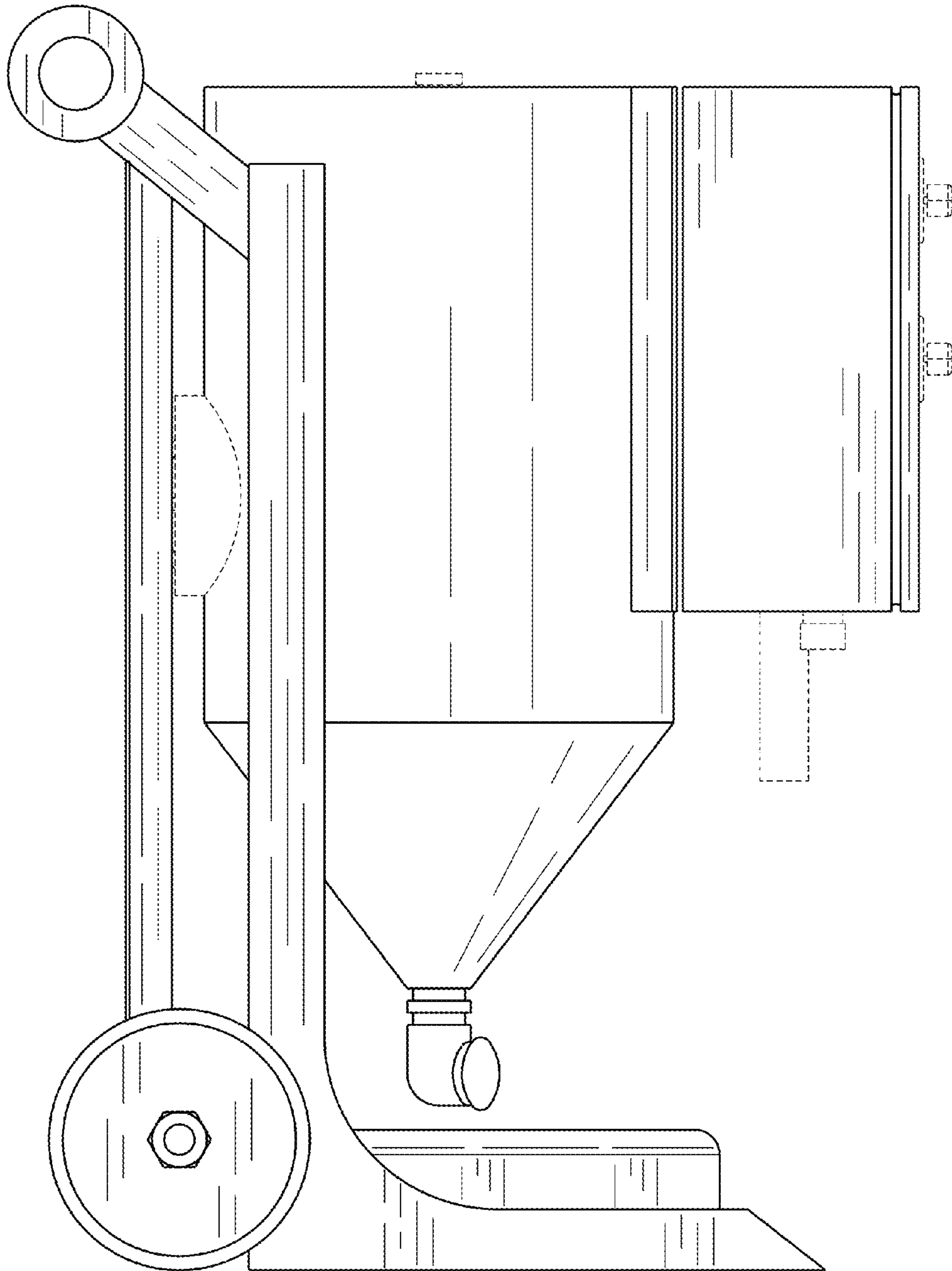


Fig. 5

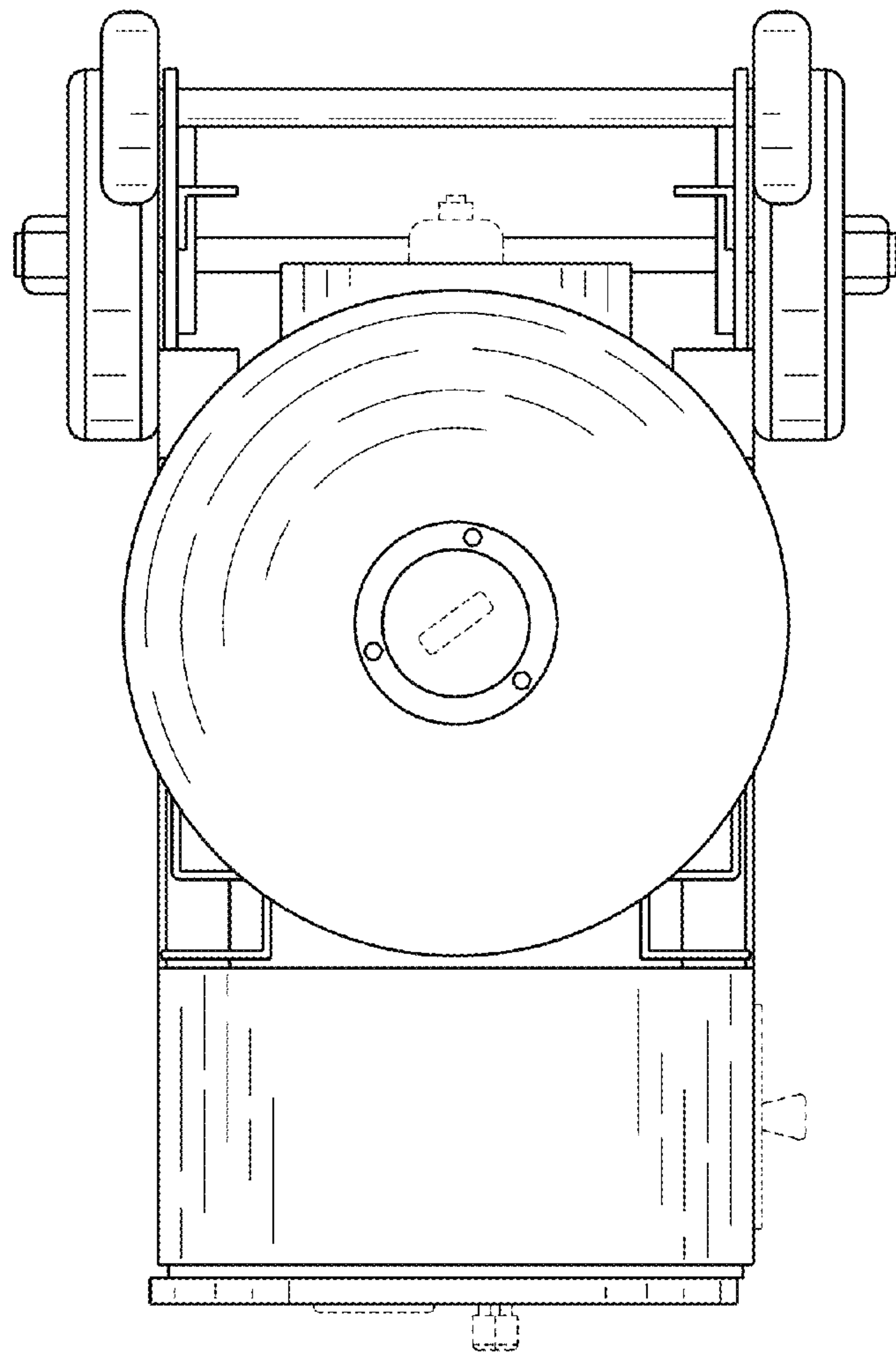


Fig. 6

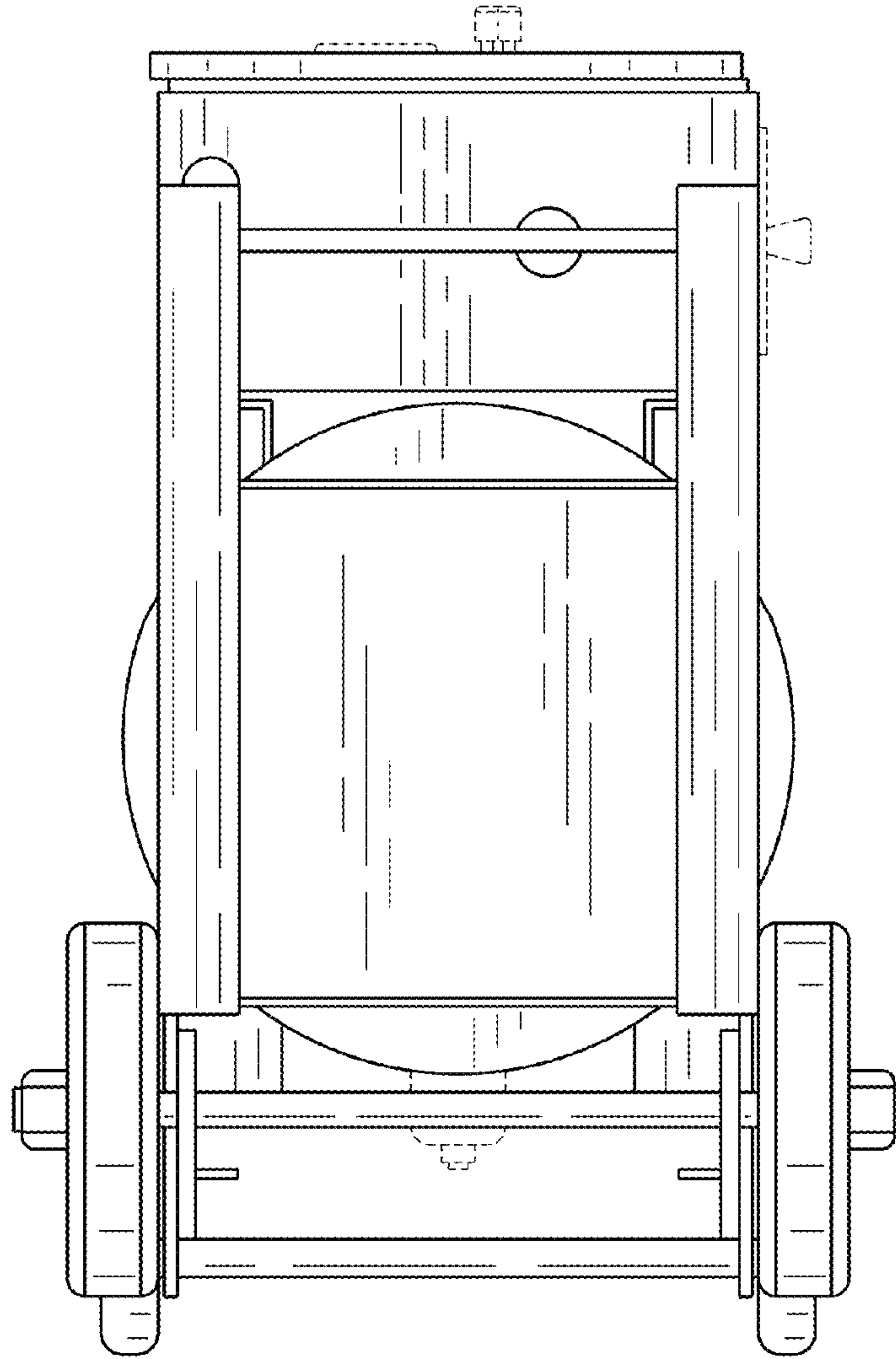


Fig. 7