



US00D706312S

(12) **United States Design Patent**
Renski et al.

(10) **Patent No.:** **US D706,312 S**
(45) **Date of Patent:** **** Jun. 3, 2014**

(54) **TIP FOR A GROUND ENGAGING MACHINE IMPLEMENT**

4,516,340 A 5/1985 Launder
D296,442 S * 6/1988 Broomhall D15/29
4,761,900 A 8/1988 Emrich
4,932,145 A 6/1990 Reeves

(75) Inventors: **William J. Renski**, Peoria, IL (US);
Sudha Kottakapu, Peoria, IL (US)

(Continued)

(73) Assignee: **Caterpillar, Inc.**, Peoria, IL (US)

FOREIGN PATENT DOCUMENTS

(**) Term: **14 Years**

EP 0 411 486 A1 2/1991
EP 2011927 A2 1/2009

(21) Appl. No.: **29/403,600**

OTHER PUBLICATIONS

(22) Filed: **Oct. 7, 2011**

Caterpillar, Inc., Cats® K Series™ Tooth Systems, brochure (4 pages), 2006.

(51) **LOC (10) Cl.** **15-03**

(52) **U.S. Cl.**
USPC **D15/29**

(Continued)

(58) **Field of Classification Search**
USPC D15/11, 28, 29; 37/456, 452, 450, 446,
37/454, 449, 453, 455, 903; 403/379.5,
403/DIG. 1; 111/152; 172/724, 730, 766,
172/770, 771, 721, 713, 699, 772
See application file for complete search history.

Primary Examiner — Mark Goodwin
(74) *Attorney, Agent, or Firm* — SAIDMAN DesignLaw Group

(57) **CLAIM**
The ornamental design for a tip for a ground engaging machine implement, as shown and described.

(56) **References Cited**

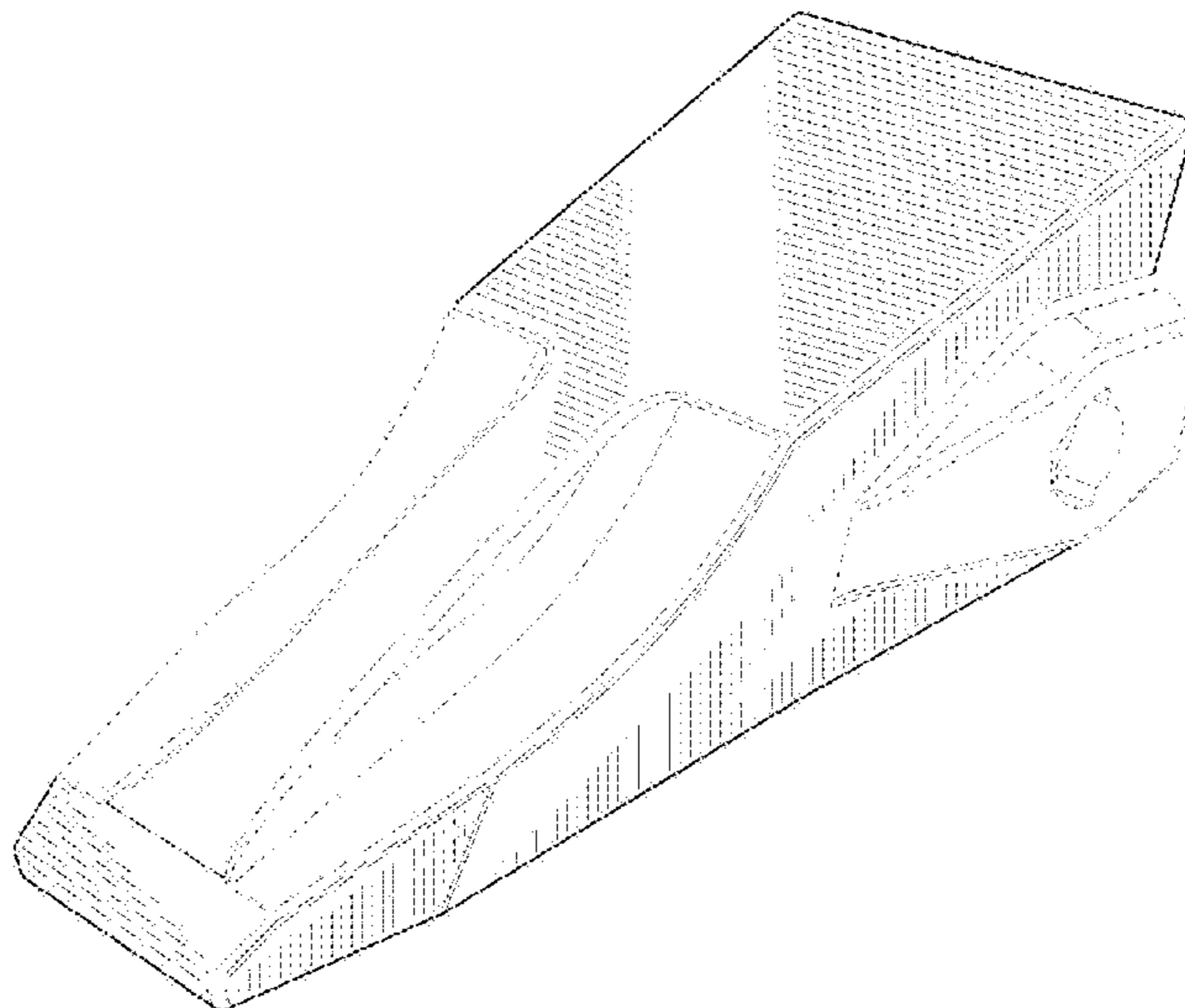
DESCRIPTION

U.S. PATENT DOCUMENTS

1,384,701 A * 7/1921 McMonegal 37/454
1,571,782 A * 2/1926 Andrews 37/454
2,427,651 A 9/1947 Baer
D182,143 S * 2/1958 Petersen D15/29
2,982,035 A 5/1961 Stephenson
3,019,537 A 2/1962 Stephenson
3,312,004 A 4/1967 Johnson
3,623,247 A 11/1971 Stepe
3,774,324 A * 11/1973 Lafond 37/457
3,823,496 A * 7/1974 Querci et al. 37/458
3,832,077 A * 8/1974 Von Mehren 403/379.4
4,027,408 A 6/1977 Ramella et al.
D251,431 S * 3/1979 Klett et al. D15/28
D252,461 S * 7/1979 Korpi D15/28
D255,119 S * 5/1980 Korpi D15/29
4,231,173 A * 11/1980 Davis 37/457
D275,859 S * 10/1984 Nilsson D15/28

FIG. 1 is a perspective view of a tip for a ground engaging machine implement showing our new design;
FIG. 2 is a front view thereof;
FIG. 3 is a front view thereof with the front elevated;
FIG. 4 is a left side view thereof;
FIG. 5 is a rear view thereof;
FIG. 6 is a right side view thereof;
FIG. 7 is a top view thereof;
FIG. 8 is a bottom view thereof; and,
FIG. 9 is a rear left perspective view thereof.
The broken lines depicted in the foregoing figures are for purposes of illustration only, and form no part of the claimed design.

1 Claim, 5 Drawing Sheets



(56)

References Cited

U.S. PATENT DOCUMENTS

4,949,481 A 8/1990 Fellner
 4,965,945 A 10/1990 Emrich
 4,980,980 A * 1/1991 Schadov et al. 37/452
 5,018,283 A 5/1991 Fellner
 D336,476 S * 6/1993 Garman D15/28
 D339,592 S * 9/1993 Johansson D15/29
 D345,364 S * 3/1994 Robinson D15/29
 D352,044 S * 11/1994 Hahn D15/29
 5,423,138 A * 6/1995 Livesay et al. 37/456
 D365,577 S * 12/1995 Ruvang D15/29
 5,561,925 A * 10/1996 Livesay 37/455
 D385,286 S * 10/1997 Moreno D15/29
 5,709,043 A * 1/1998 Jones et al. 37/458
 D392,292 S * 3/1998 Moreno D15/29
 D395,661 S * 6/1998 Moreno D15/29
 5,852,888 A 12/1998 Cornelius
 D408,422 S * 4/1999 Moreno D15/29
 D410,657 S * 6/1999 Launder et al. D15/29
 D413,338 S * 8/1999 Pueyo Molina D15/29
 D414,193 S * 9/1999 Launder et al. D15/29
 D415,173 S * 10/1999 Zaun D15/29
 5,983,534 A 11/1999 Robinson et al.
 D417,877 S * 12/1999 Launder et al. D15/29
 D429,256 S * 8/2000 Zaun D15/29
 D429,258 S * 8/2000 Zaun D15/29
 6,321,471 B2 * 11/2001 Fernandez Munoz et al. . 37/456
 D454,891 S * 3/2002 Ketting et al. D15/29
 D460,464 S * 7/2002 Ketting et al. D15/29
 D461,198 S * 8/2002 Ketting et al. D15/29
 D461,832 S * 8/2002 Ketting et al. D15/29
 6,477,796 B1 * 11/2002 Cornelius 37/452

6,735,890 B2 5/2004 Carpenter et al.
 6,745,503 B1 6/2004 Moreno et al.
 D499,749 S * 12/2004 Launder et al. D15/29
 6,836,983 B2 1/2005 Moreno et al.
 6,865,828 B1 3/2005 Molino et al.
 D505,137 S * 5/2005 Steinlage et al. D15/29
 D512,078 S * 11/2005 Poutre D15/29
 D527,029 S * 8/2006 Launder et al. D15/29
 7,100,315 B2 9/2006 Carpenter et al.
 7,168,193 B2 1/2007 Moreno et al.
 D552,632 S * 10/2007 De Martiis D15/29
 D560,232 S * 1/2008 De Martiis D15/29
 7,367,144 B2 5/2008 Jones et al.
 D614,206 S * 4/2010 Ruvang D15/29
 7,739,814 B2 6/2010 Carpenter et al.
 7,762,015 B2 7/2010 Smith et al.
 D624,943 S * 10/2010 Gibbon D15/29
 2008/0028644 A1 2/2008 Almendros et al.

OTHER PUBLICATIONS

U.S. Appl. No. 13/644,518, filed Oct. 4, 2012, entitled "Implement Tooth Assembly with Tip and Adapter".
 U.S. Appl. No. 29/403,592, filed Oct. 7, 2011, entitled "Tip for a Ground Engaging Machine Implement".
 U.S. Appl. No. 29/403,595, filed Oct. 7, 2011, entitled "Tip for a Ground Engaging Machine Implement".
 U.S. Appl. No. 29/403,598, filed Oct. 7, 2011, entitled "Tip for a Ground Engaging Machine Implement".
 U.S. Appl. No. 29/403,570, filed Oct. 7, 2011, entitled "Tip for a Ground Engaging Machine Implement".
 Caterpillar, "Cat Backhoe Loader Options," published Jan. 1, 2005.

* cited by examiner

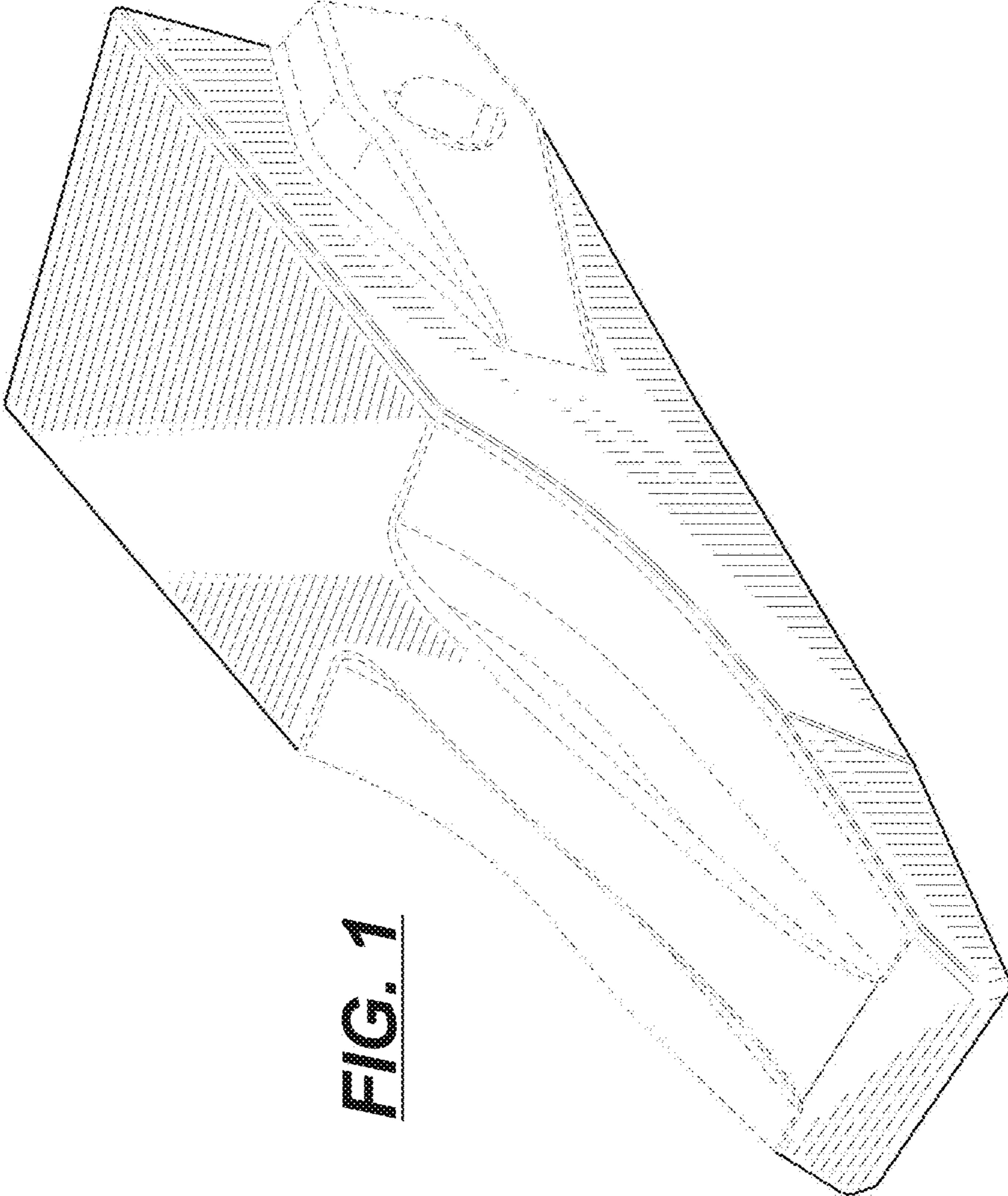


FIG. 1

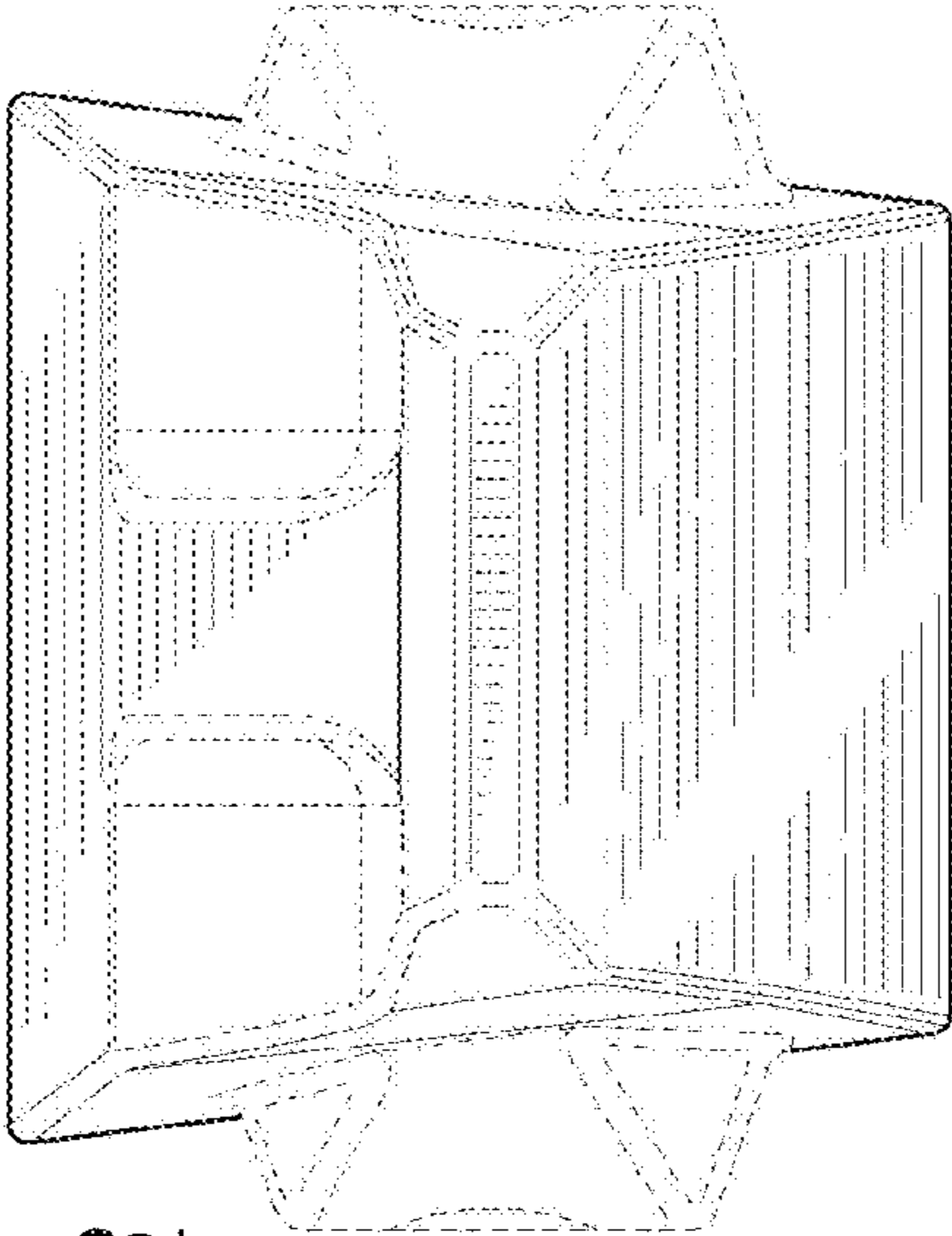


FIG. 3

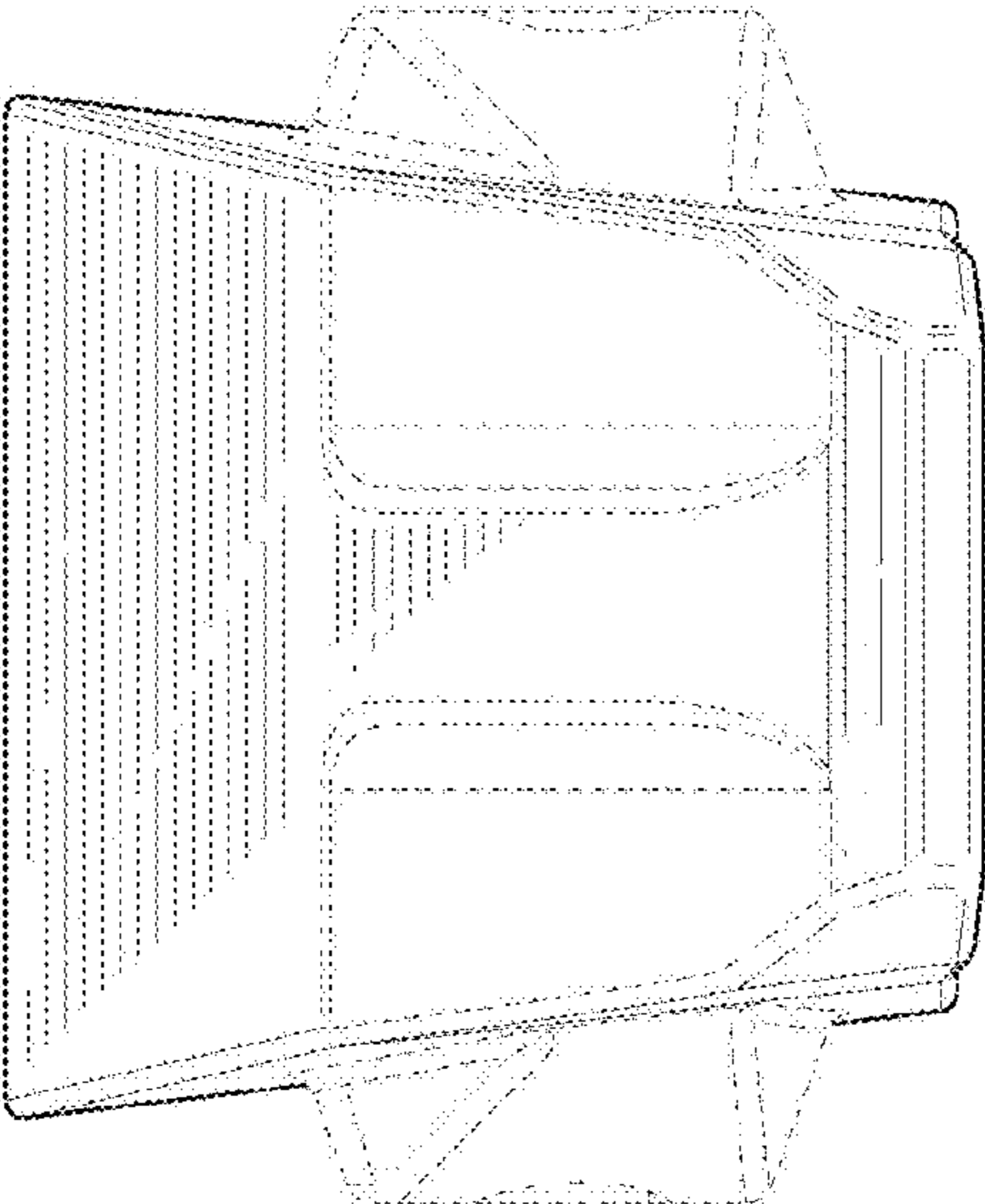


FIG. 2

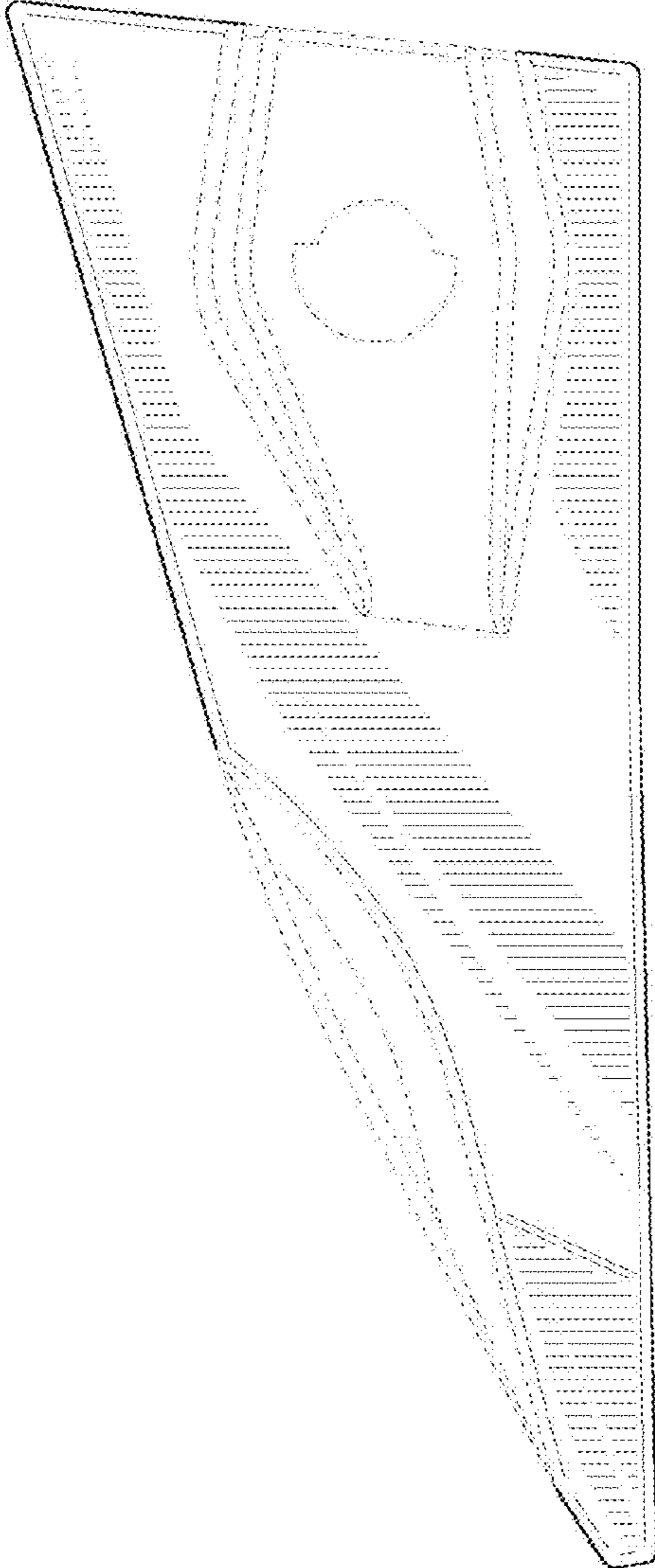


FIG. 4

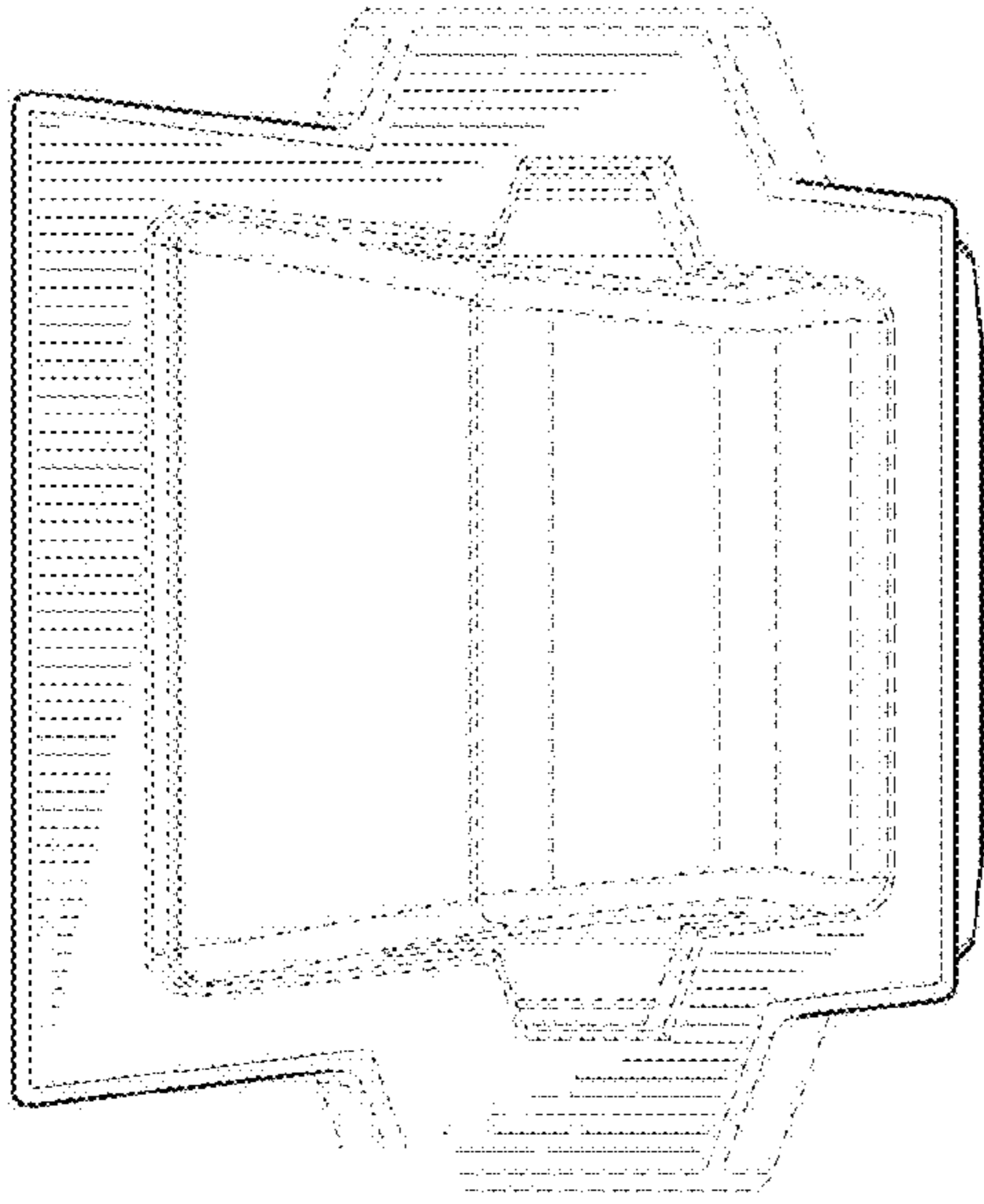
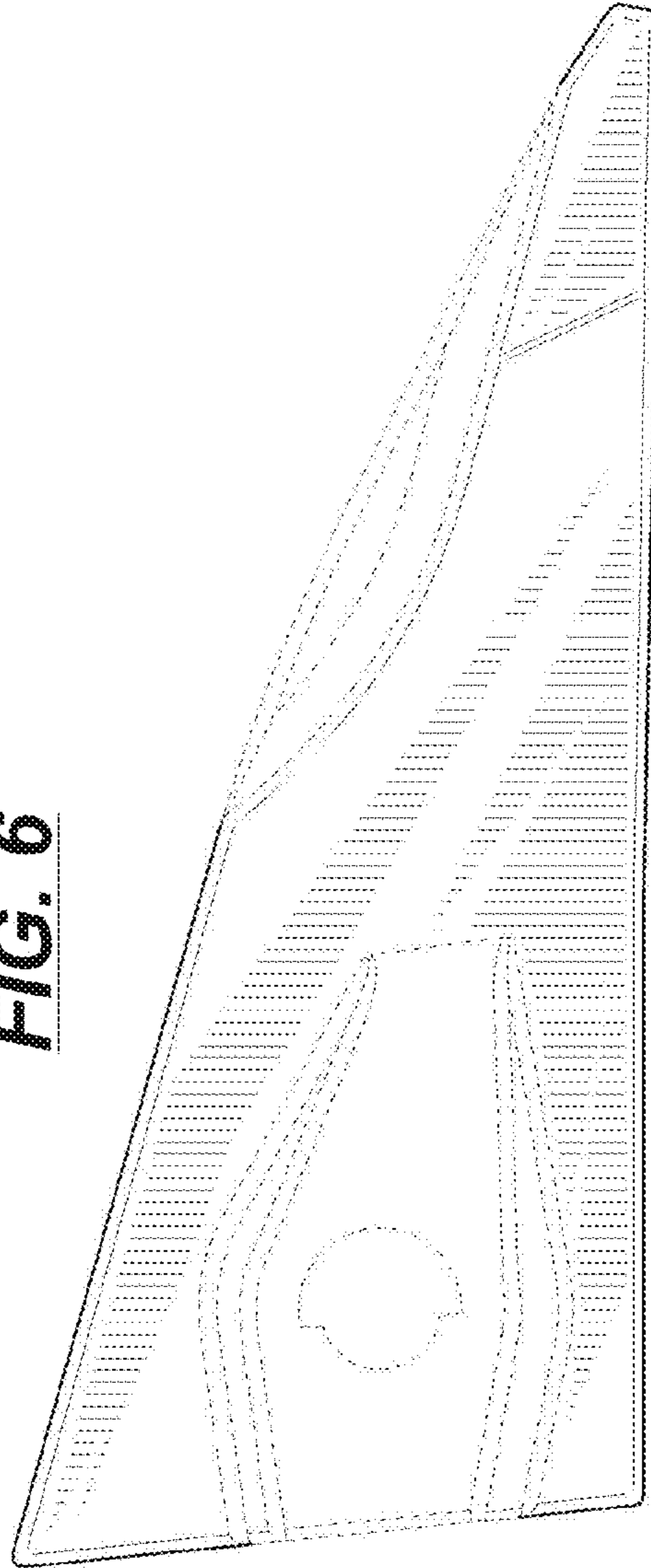
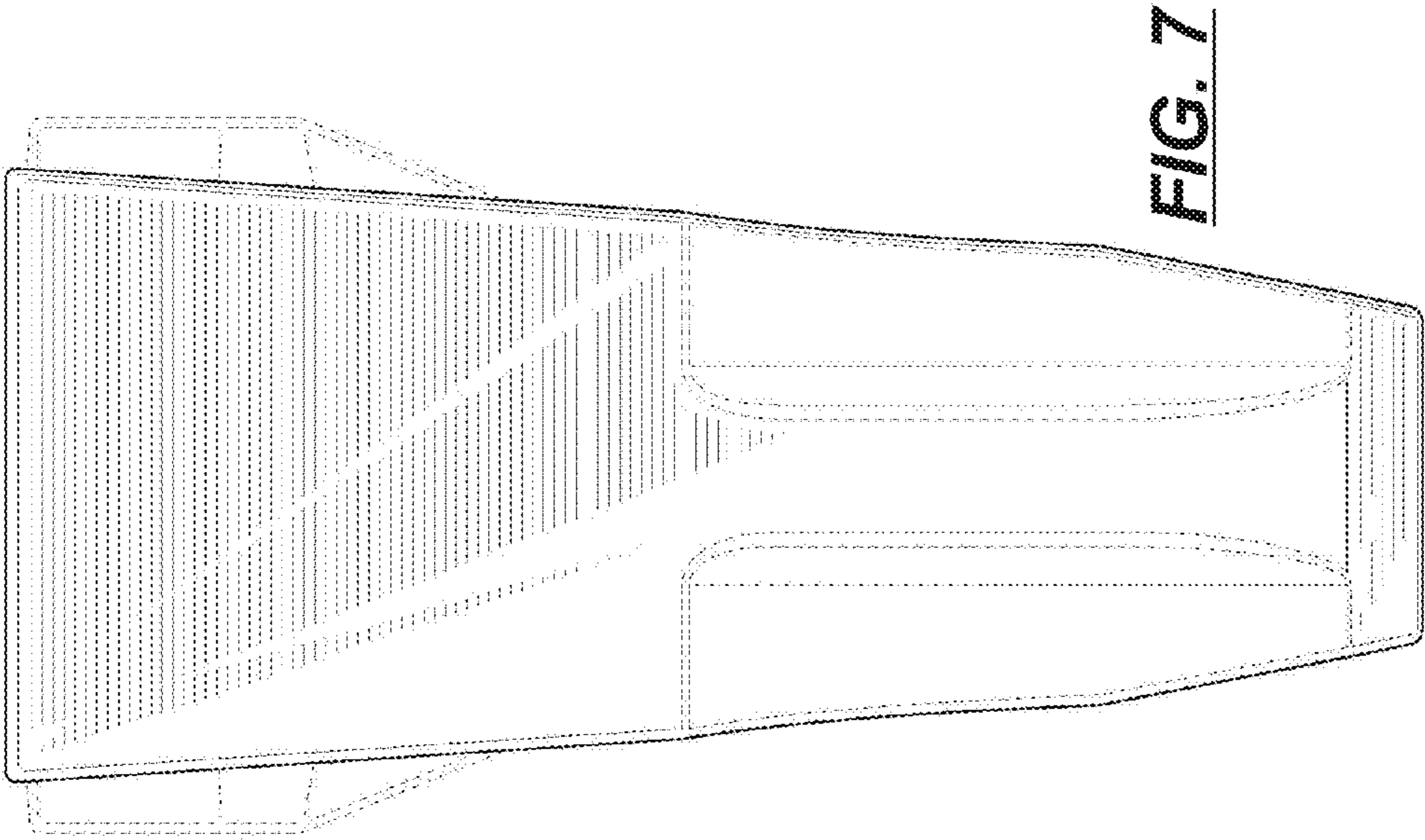
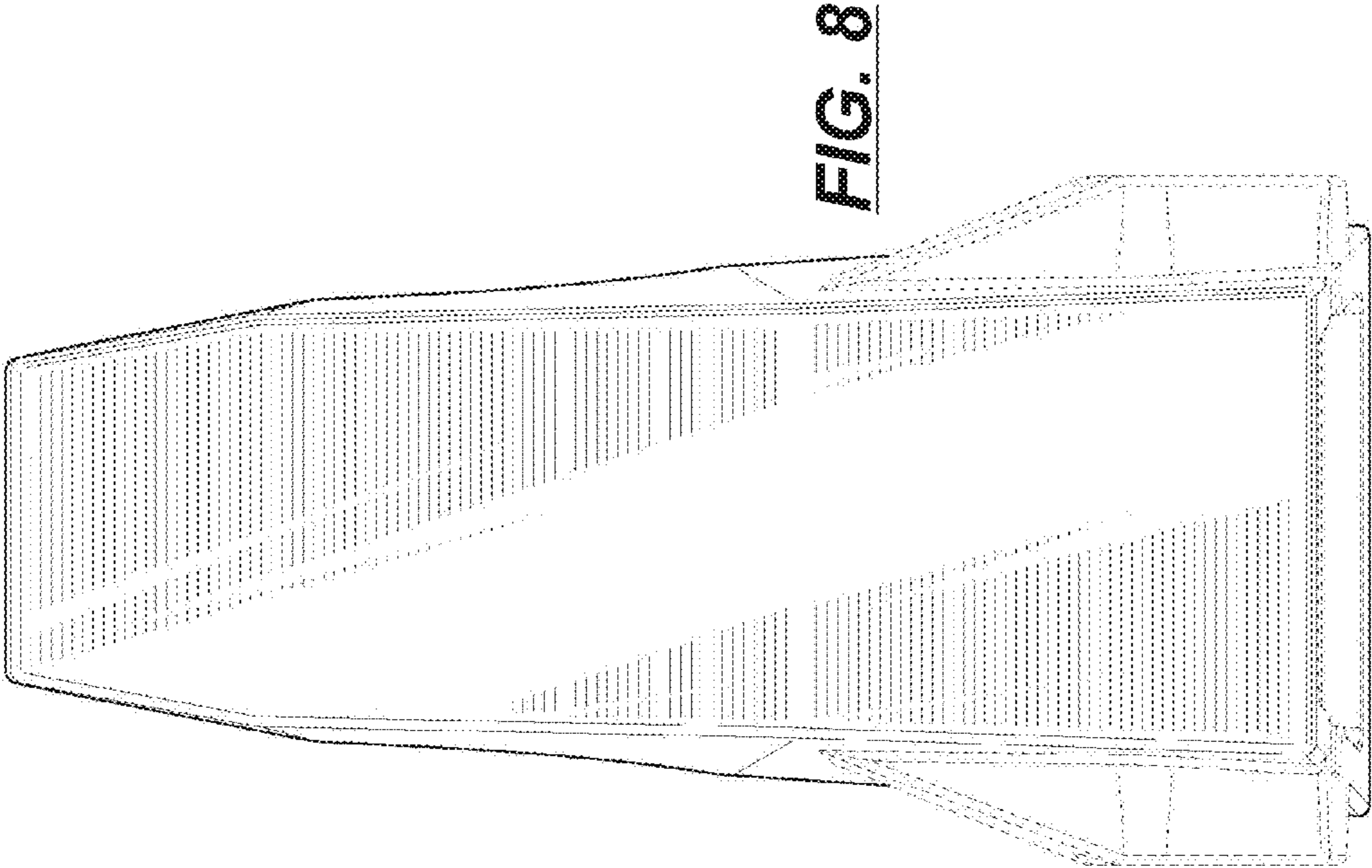


FIG. 5

FIG. 6





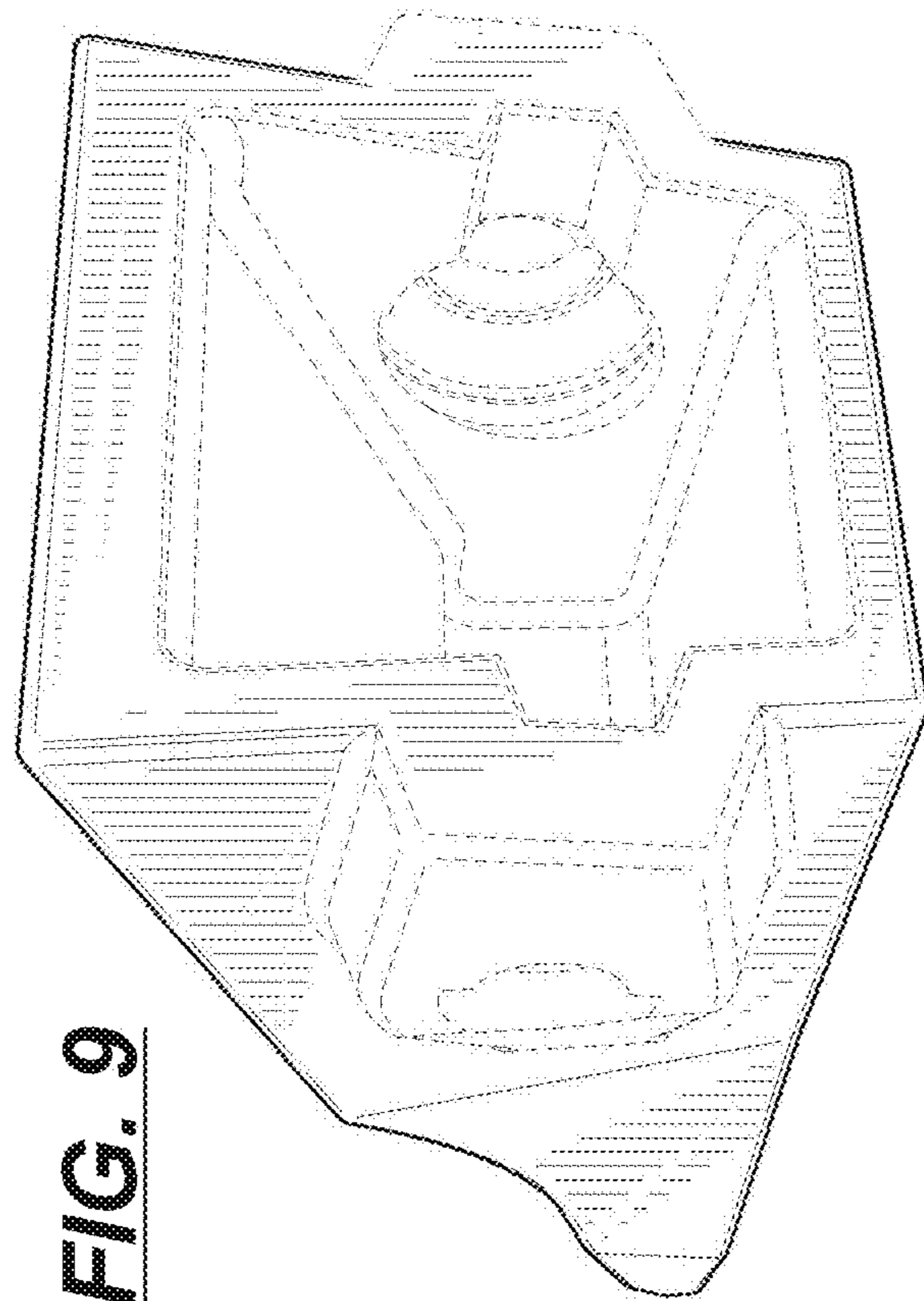


FIG. 9

UNITED STATES PATENT AND TRADEMARK OFFICE
CERTIFICATE OF CORRECTION

PATENT NO. : D706,312 S
APPLICATION NO. : 29/403600
DATED : June 3, 2014
INVENTOR(S) : William J. Renski and Sudha Kottakapu

Page 1 of 1

It is certified that error appears in the above-identified patent and that said Letters Patent is hereby corrected as shown below:

On the Title Page, Item (73) Assignee should read: Caterpillar, Inc., Peoria, IL (US)

Signed and Sealed this
Twelfth Day of August, 2014



Michelle K. Lee
Deputy Director of the United States Patent and Trademark Office