



US00D706310S

(12) **United States Design Patent**
Nibbe et al.

(10) **Patent No.:** **US D706,310 S**
(45) **Date of Patent:** **** Jun. 3, 2014**

(54) **SEED BOOT**
(71) Applicant: **AGCO-Amity JV, LLC**, Fargo, ND
(US)
(72) Inventors: **Brian Douglas Nibbe**, Wahpeton, ND
(US); **Leonard Carl Mead**, Walcott, ND
(US); **Collin David Miller**, Mapleton,
ND (US)

5,697,308 A * 12/1997 Rowlett 111/149
5,983,813 A * 11/1999 Swab et al. 111/150
6,059,047 A * 5/2000 Schimke 172/769
D435,566 S * 12/2000 Anderson D15/28
D437,328 S * 2/2001 Anderson D15/28
6,209,466 B1 * 4/2001 Wodrich 111/189
6,363,871 B1 * 4/2002 Puetz et al. 111/152
7,096,803 B2 * 8/2006 Bergen 111/124
7,168,376 B2 * 1/2007 Johnston 111/167

(Continued)

(73) Assignee: **AGCO-Amity JV, LLC**, Fargo, ND
(US)

OTHER PUBLICATIONS

Seven photos of John Deere seed boot, Part No. N284044 (publicly available prior to Dec. 27, 2011).

(**) Term: **14 Years**

Primary Examiner — Mark Goodwin

(21) Appl. No.: **29/472,513**

(74) *Attorney, Agent, or Firm* — James L. Young; Westman, Champlin & Koehler, P.A.

(22) Filed: **Nov. 13, 2013**

(51) **LOC (10) Cl.** **15-03**

(52) **U.S. Cl.**
USPC **D15/28; D15/11**

(57) **CLAIM**

The ornamental design for a seed boot, as shown and described.

(58) **Field of Classification Search**
USPC D15/11, 17, 21, 27, 28; 111/74, 167,
111/89, 156, 150, 200, 170, 149; 172/753,
172/772
See application file for complete search history.

DESCRIPTION

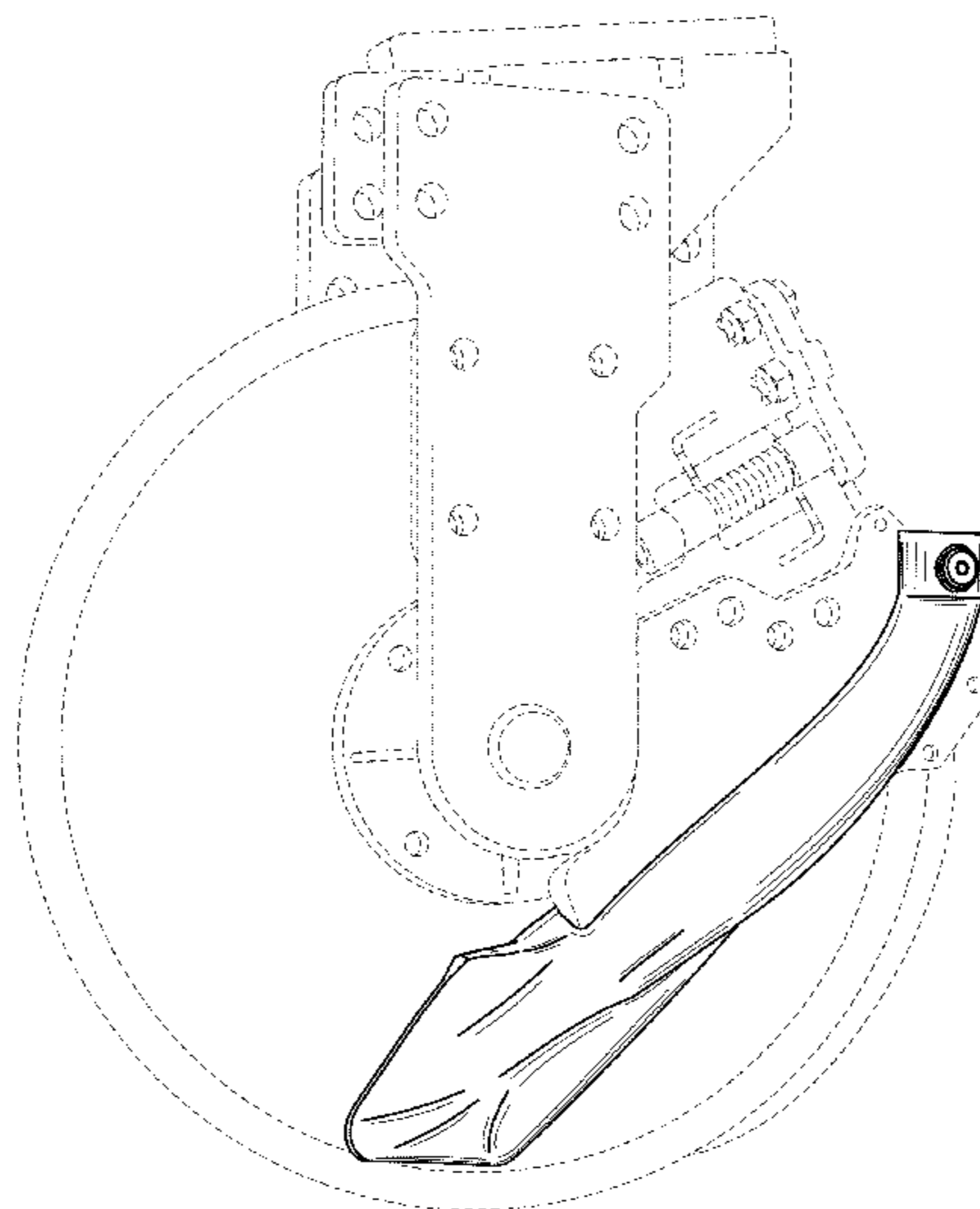
FIG. 1 is an outer side view of a seed boot showing our new design in use condition; the broken lines shown on the seed boot form no part of the claimed design;
FIG. 2 is a top, perspective view of thereof, taken from an inner side and a trailing end;
FIG. 3 is an inner side view thereof;
FIG. 4 is a trailing end view thereof, taken from the left side of FIG. 1;
FIG. 5 is a leading end view thereof; taken from the right side of FIG. 1;
FIG. 6 is a top view thereof; and,
FIG. 7 is a bottom view thereof.
The broken line showing of a planting implement is included for the purpose of illustrating environmental structure only and forms no part of the claimed design.

(56) **References Cited**

U.S. PATENT DOCUMENTS

707,958 A * 8/1902 Compton 111/168
714,025 A * 11/1902 Pelton 111/168
717,155 A * 12/1902 Baseman 111/168
1,114,156 A * 10/1914 Lewis et al. 111/168
1,299,160 A * 4/1919 Fetzer 111/163
1,838,476 A * 12/1931 Cowell 111/168
2,869,489 A * 1/1959 Buhr 111/150
3,213,812 A * 10/1965 Forsyth et al. 111/157
4,633,791 A * 1/1987 Lindstrom et al. 111/152
5,092,255 A * 3/1992 Long et al. 111/167
5,159,985 A * 11/1992 Rowlett 172/723
5,269,237 A * 12/1993 Baker et al. 111/121
5,370,070 A * 12/1994 Embree et al. 111/139

1 Claim, 5 Drawing Sheets



(56)

References Cited

U.S. PATENT DOCUMENTS

7,487,732	B2 *	2/2009	Johnston et al.	111/121	2005/0274309	A1 *	12/2005	Bergen	111/188
7,856,934	B2 *	12/2010	Hagny	111/163	2007/0113763	A1 *	5/2007	Schaffert	111/118
D647,542	S *	10/2011	Zwettler	D15/28	2008/0295750	A1 *	12/2008	Gregor	111/164
8,215,247	B2 *	7/2012	Schilling et al.	111/186	2010/0107941	A1 *	5/2010	Schilling et al.	111/9
8,359,987	B2 *	1/2013	Schilling et al.	111/69	2010/0107942	A1 *	5/2010	Schilling et al.	111/74
D693,854	S *	11/2013	Schrapp et al.	D15/28	2010/0300337	A1 *	12/2010	Wipf et al.	111/12
2002/0043197	A1 *	4/2002	Schaffert	111/120	2011/0005440	A1 *	1/2011	Schilling et al.	111/150
2002/0134288	A1 *	9/2002	Baker et al.	111/157	2011/0108295	A1 *	5/2011	Schilling	172/558
2002/0195033	A1 *	12/2002	Schaffert	111/189	2011/0120357	A1 *	5/2011	Schilling et al.	111/163
2004/0255834	A1 *	12/2004	Schaffert	111/200	2011/0226167	A1 *	9/2011	Schilling et al.	111/154
2005/0022706	A1 *	2/2005	Johnston	111/154	2011/0313575	A1 *	12/2011	Kowalchuk et al.	700/282
2005/0172871	A1 *	8/2005	Linnebur et al.	111/156	2012/0012041	A1 *	1/2012	Schaffert	111/118
					2012/0067259	A1 *	3/2012	Mariman et al.	111/164
					2012/0240834	A1 *	9/2012	Schilling et al.	111/71
					2012/0240835	A1 *	9/2012	Schilling et al.	111/71

* cited by examiner

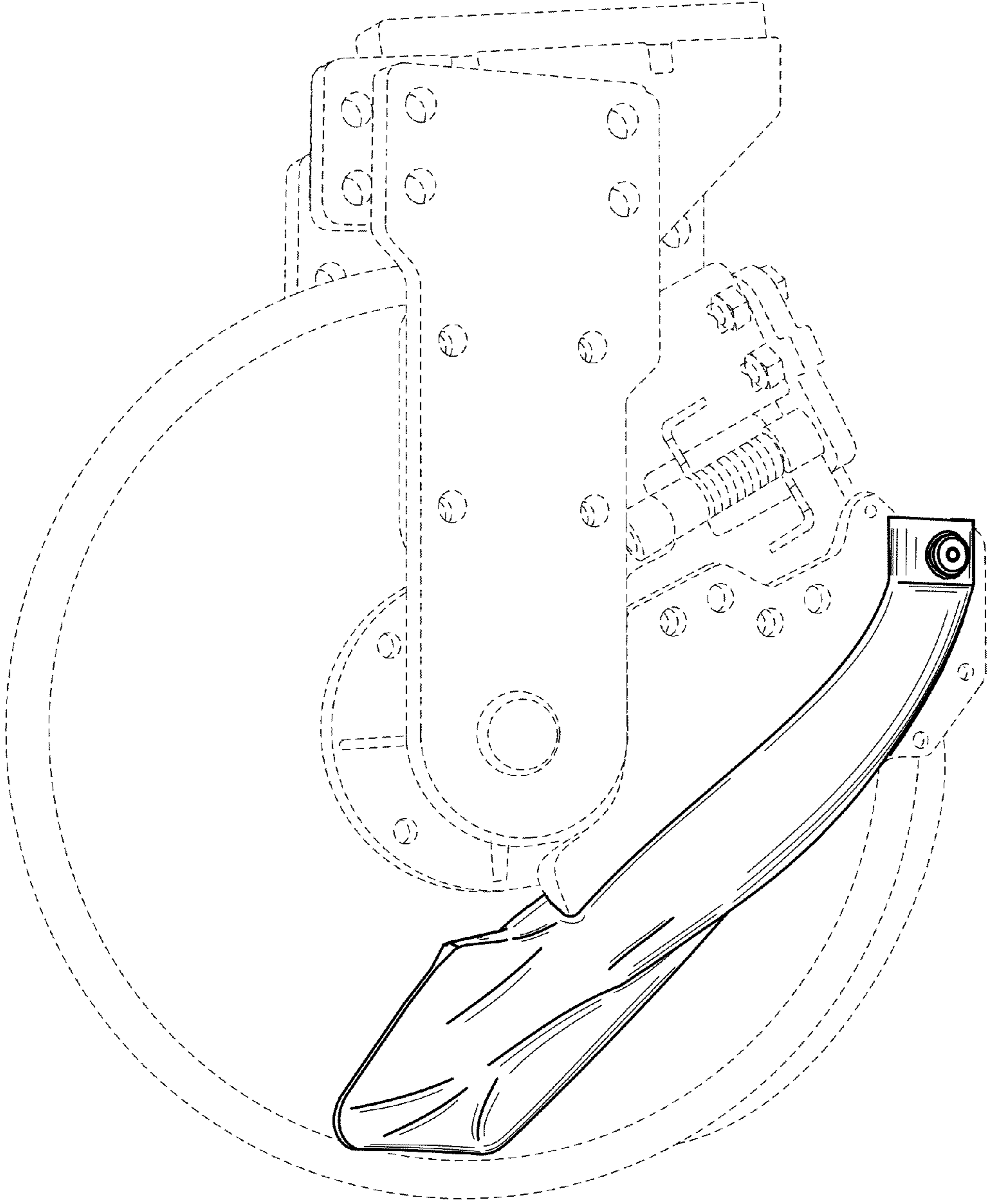


FIG. 1

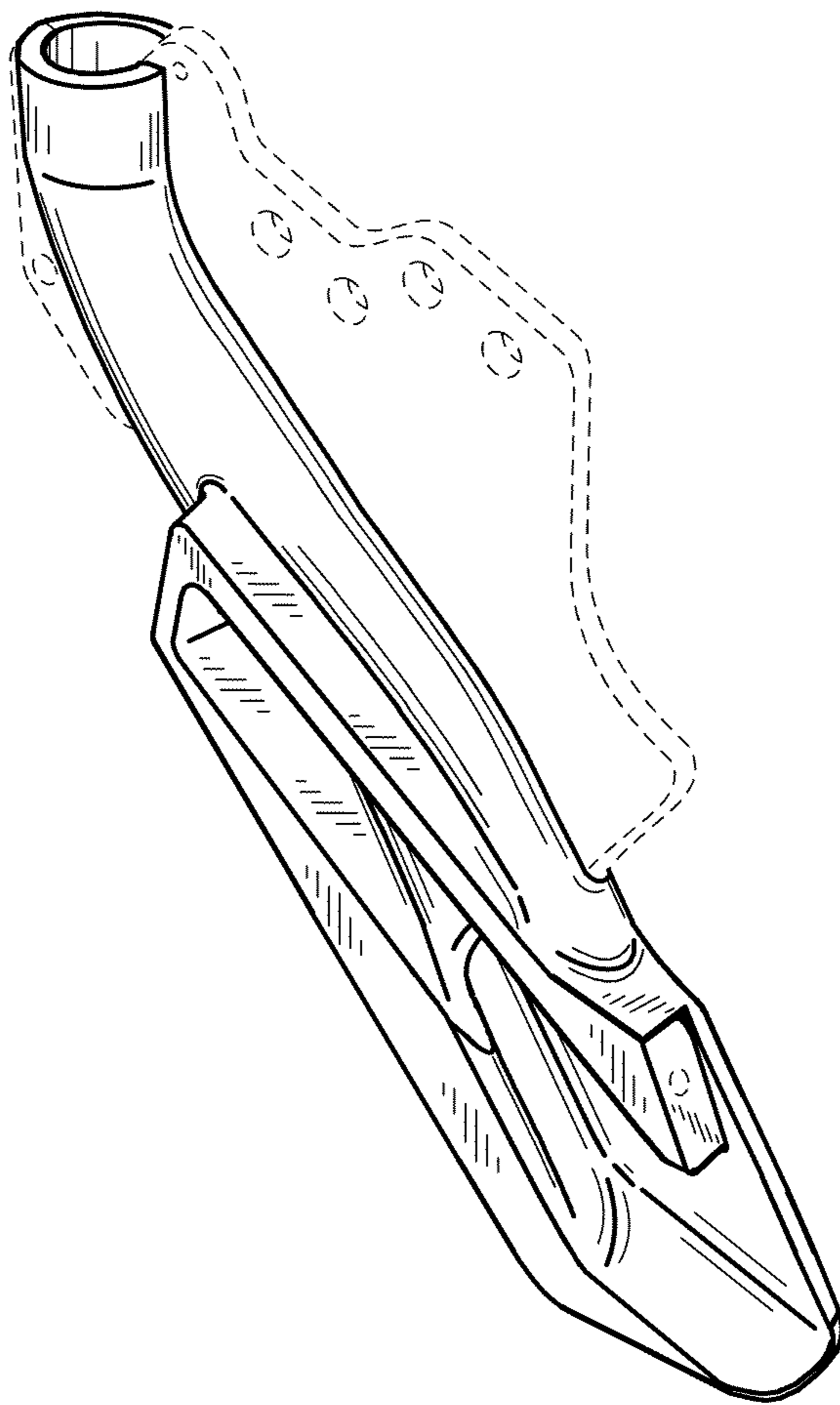


FIG. 2

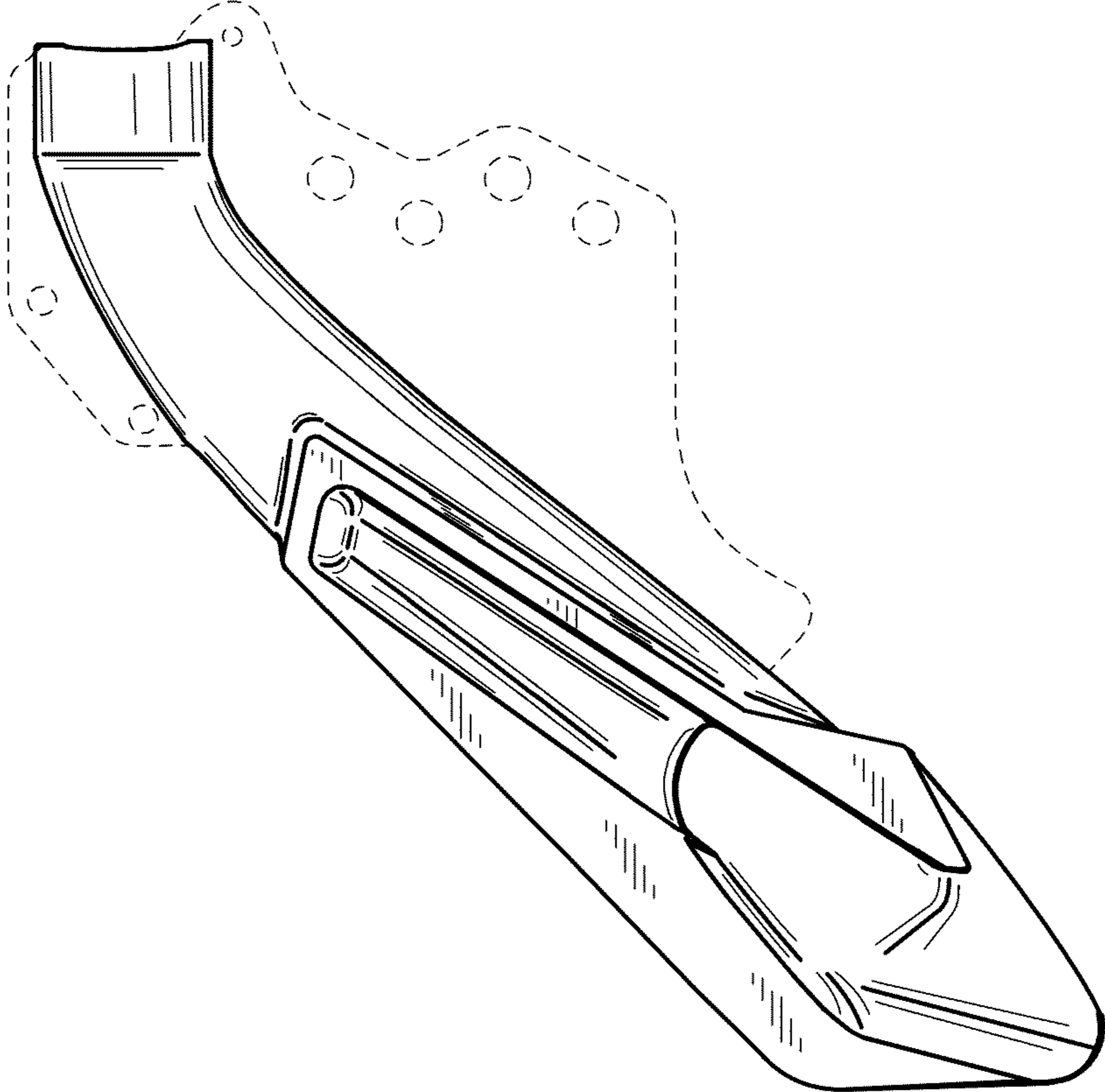


FIG. 3

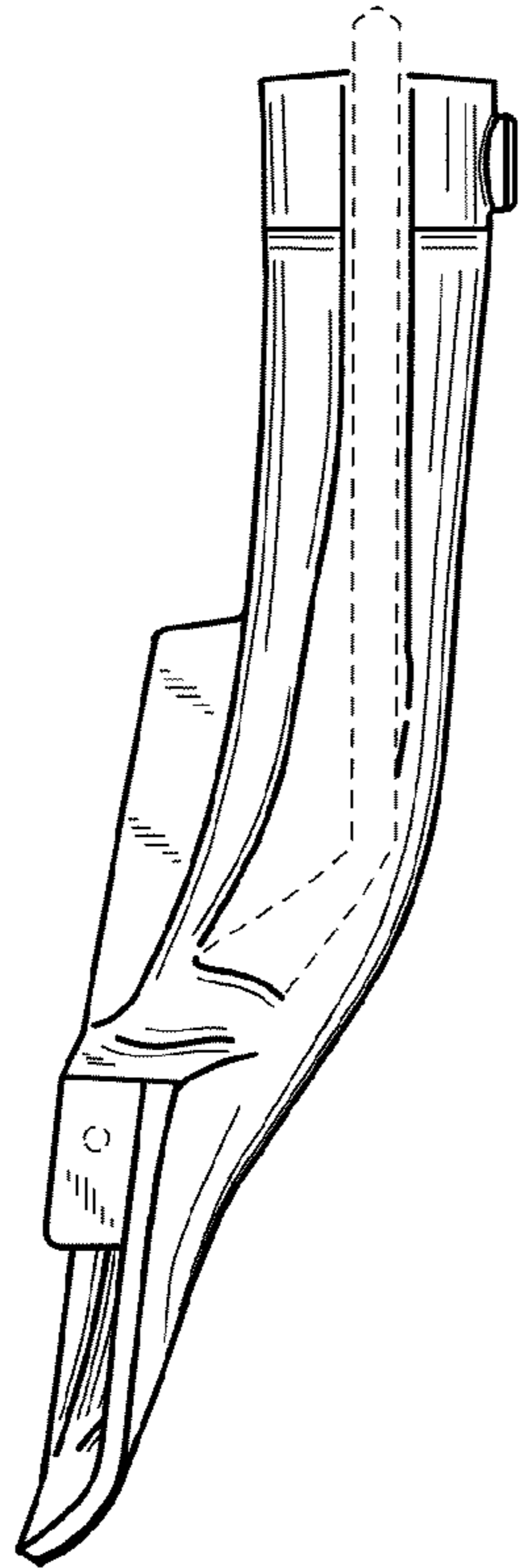


FIG. 4

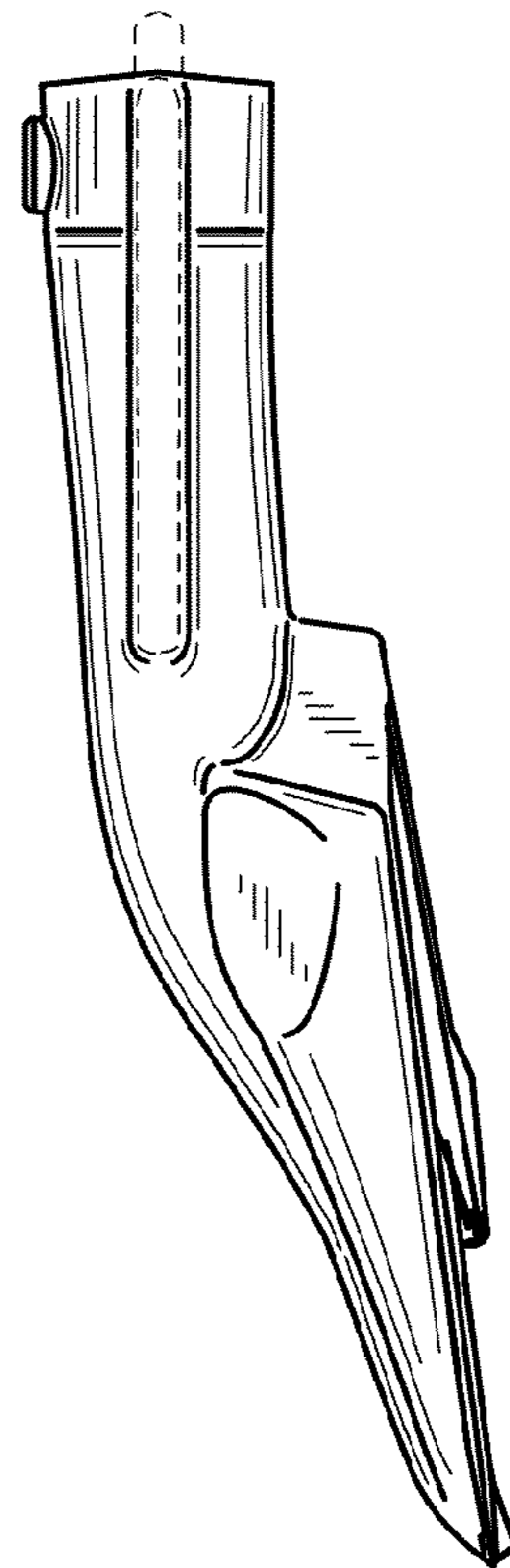


FIG. 5

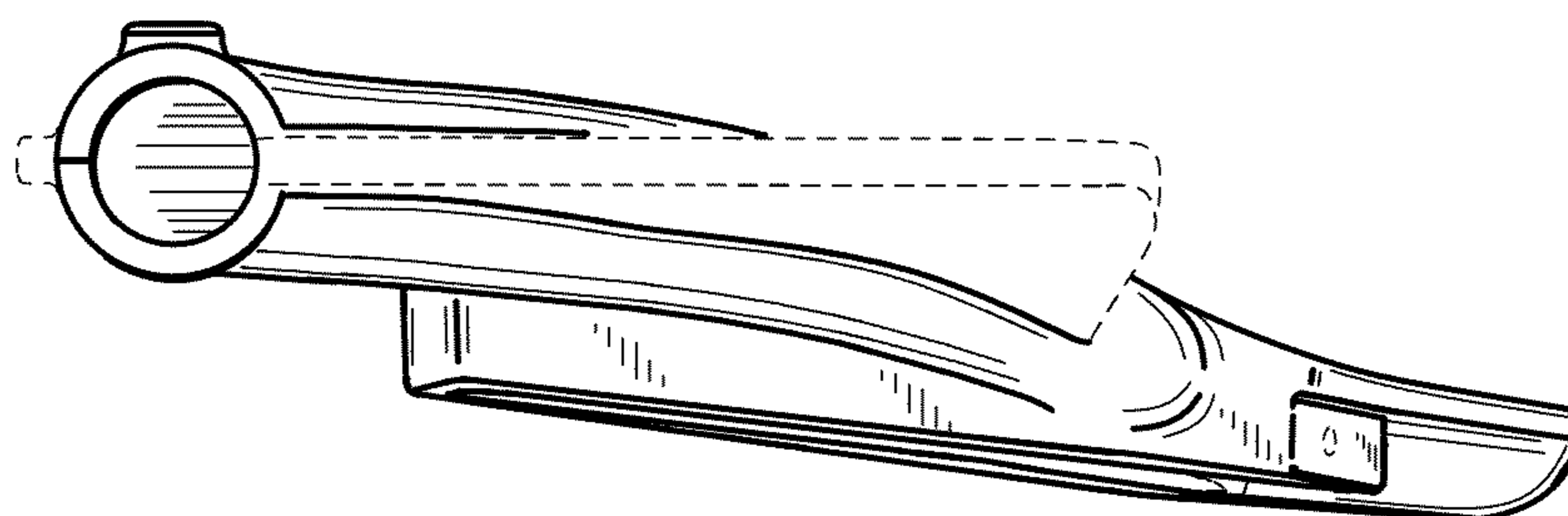


FIG. 6

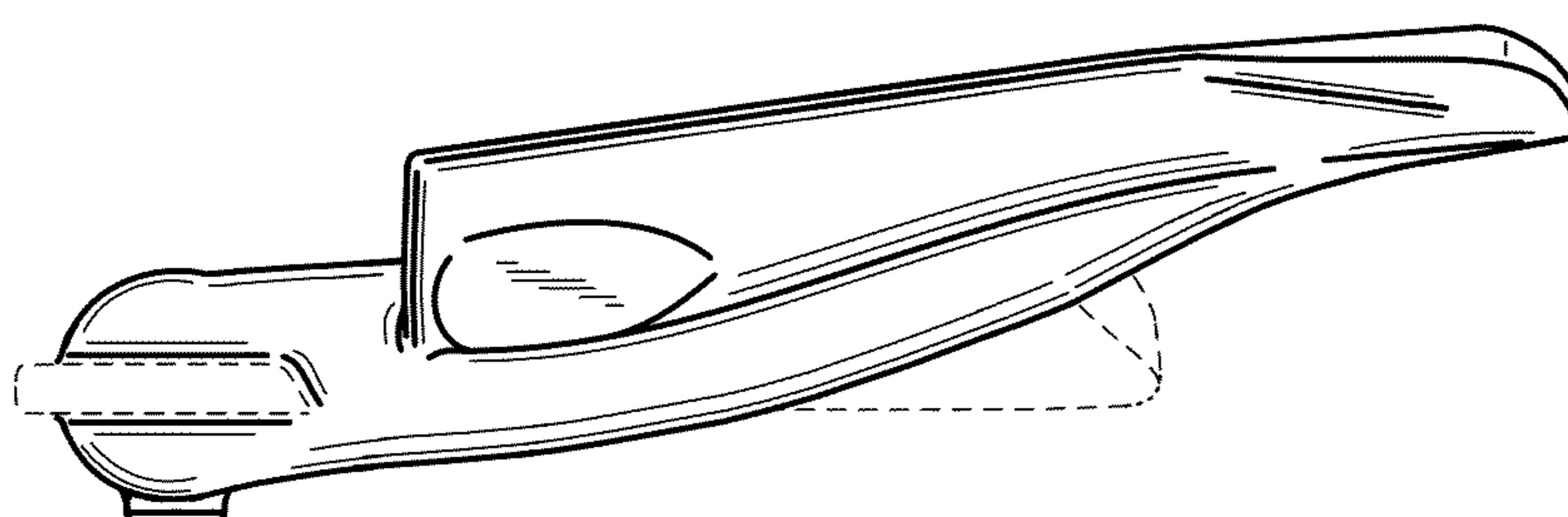


FIG. 7