

US00D706309S

(12) **United States Design Patent**  
**Klein et al.**

(10) **Patent No.:** **US D706,309 S**

(45) **Date of Patent:** **\*\* Jun. 3, 2014**

(54) **STEERING COLUMN**

(56) **References Cited**

(71) Applicant: **BOMAG GmbH**, Boppard (DE)

U.S. PATENT DOCUMENTS

(72) Inventors: **Thomas Klein**, Wehr (DE); **Thomas Haubrich**, Goedenroth (DE)

D256,018	S	*	7/1980	Stone et al.	.....	D15/28
4,447,860	A	*	5/1984	Stone et al.	.....	362/30
D365,574	S	*	12/1995	Westimayer et al.	.....	D15/17
D389,491	S	*	1/1998	Wolf	.....	D15/17
5,725,065	A	*	3/1998	Knurr et al.	.....	180/69.2
D427,613	S	*	7/2000	Altmann et al.	.....	D15/28
D459,734	S	*	7/2002	Hohnl et al.	.....	D15/28
D471,564	S	*	3/2003	Hohnl et al.	.....	D15/28
D549,739	S	*	8/2007	Stephens	.....	D15/28
D652,063	S	*	1/2012	Takeuchi et al.	.....	D15/28

(73) Assignee: **BOMAG GmbH**, Boppard (DE)

(\*\*) Term: **14 Years**

\* cited by examiner

(21) Appl. No.: **29/458,249**

*Primary Examiner* — Mark Goodwin

(22) Filed: **Jun. 18, 2013**

(74) *Attorney, Agent, or Firm* — Wood, Herron & Evans, LLP

(30) **Foreign Application Priority Data**

(57) **CLAIM**

The ornamental design for a steering column, as shown and described.

Dec. 19, 2012 (EP) ..... 002156406-0010

(51) **LOC (10) Cl.** ..... **15-03**

(52) **U.S. Cl.**  
USPC ..... **D15/28**

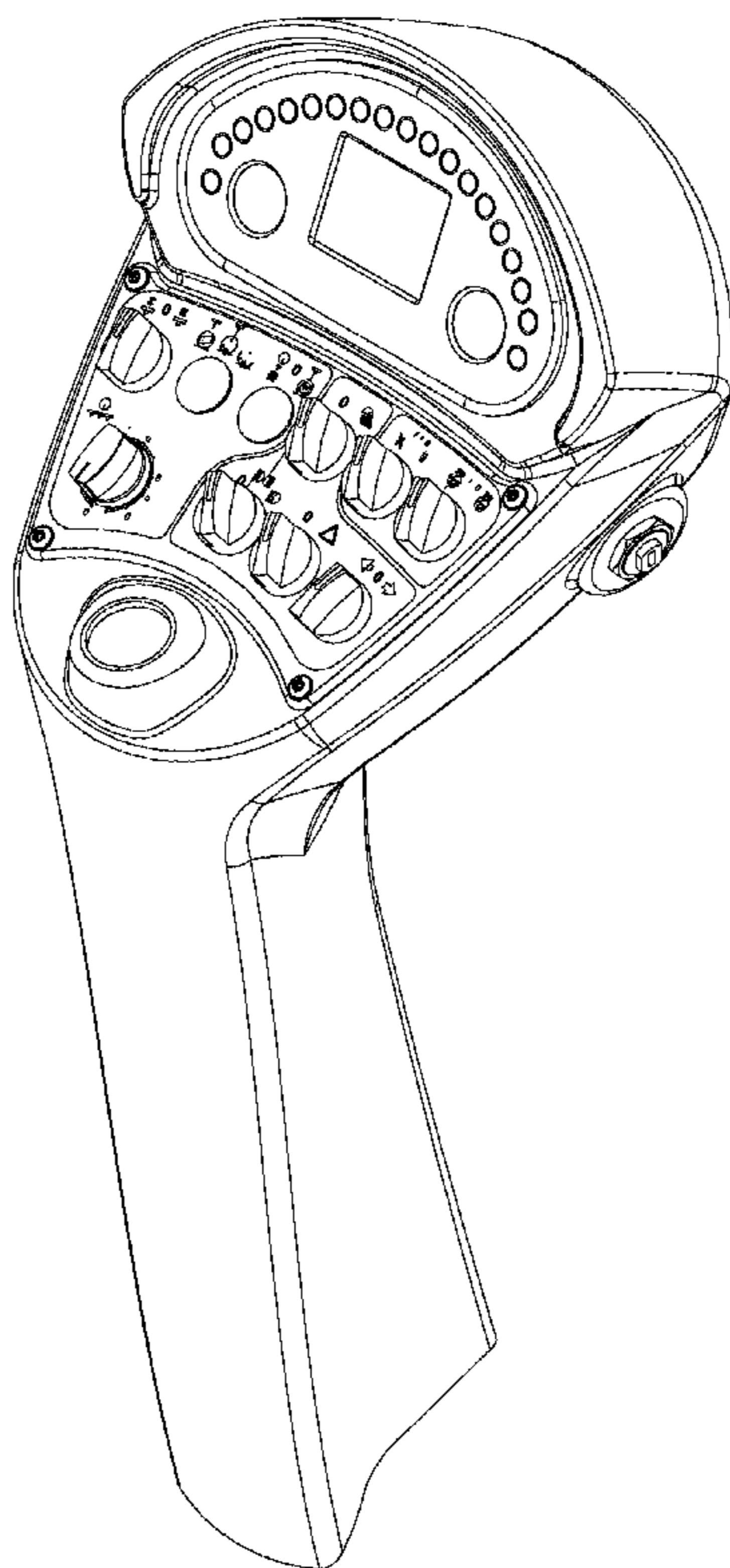
(58) **Field of Classification Search**  
USPC ..... D15/17, 22-26, 28, 31, 33; D12/192,  
D12/419, 421; 180/69.2, 69.21, 69.24, 90;  
296/70, 30, 72, 191, 192, 193.03

See application file for complete search history.

**DESCRIPTION**

FIG. 1 is a front isometric view of our new steering column design;  
FIG. 2 is a bottom plan view thereof;  
FIG. 3 is a top plan view thereof;  
FIG. 4 is a rear elevational view thereof;  
FIG. 5 is a front elevational view thereof;  
FIG. 6 is a left side elevational view thereof; and,  
FIG. 7 is a right side elevational view thereof.

**1 Claim, 7 Drawing Sheets**



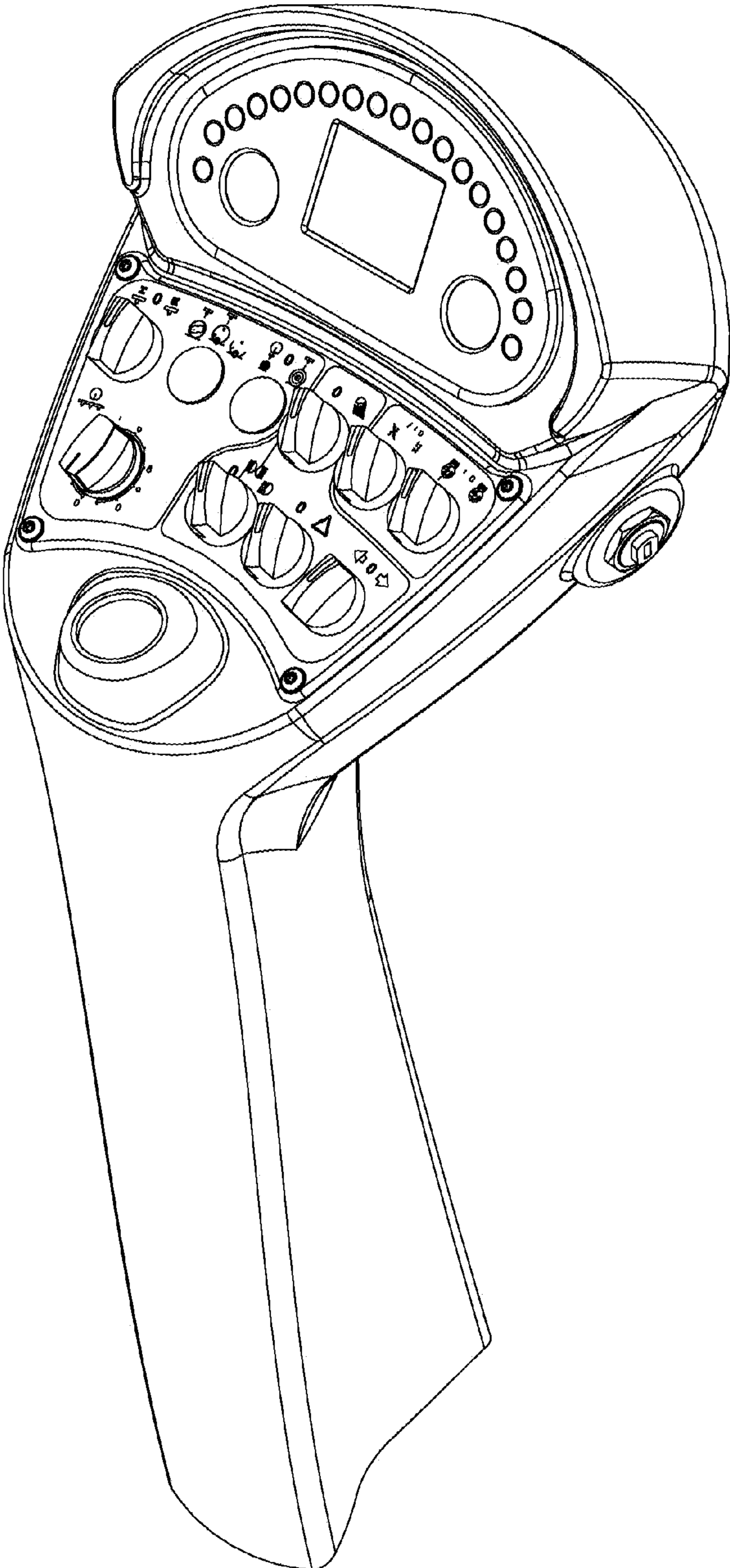


FIG. 1

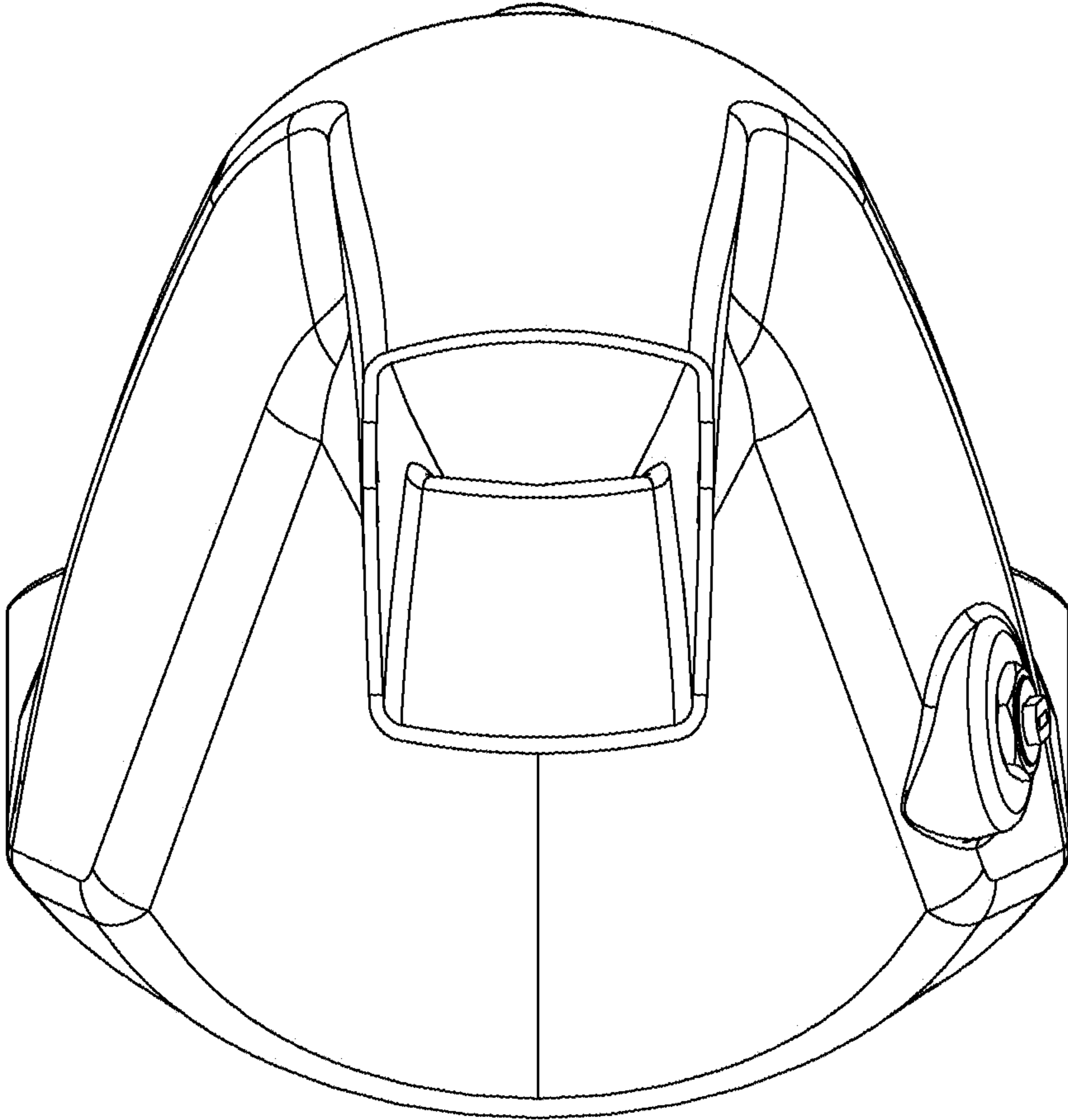


FIG. 2

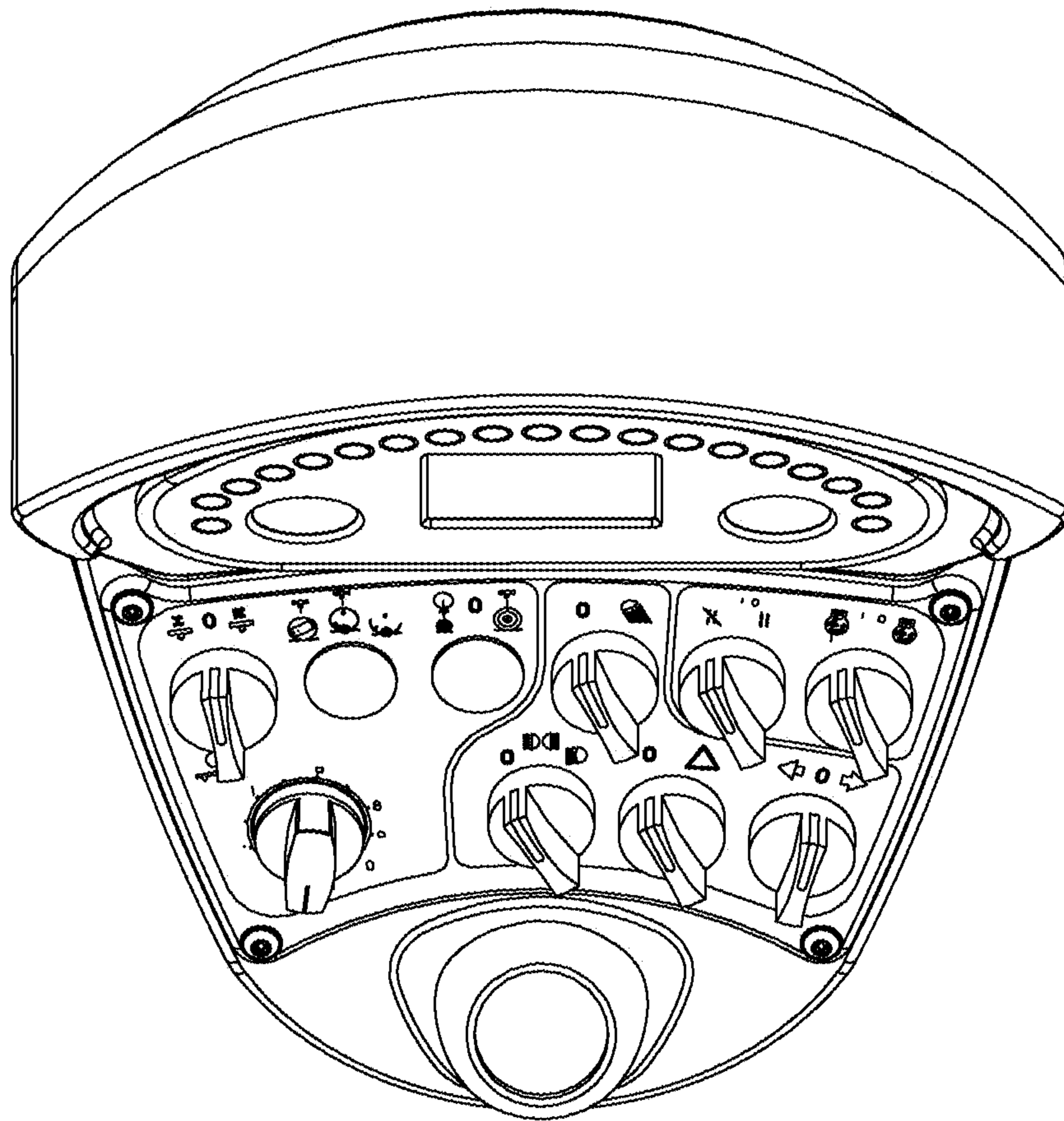


FIG. 3



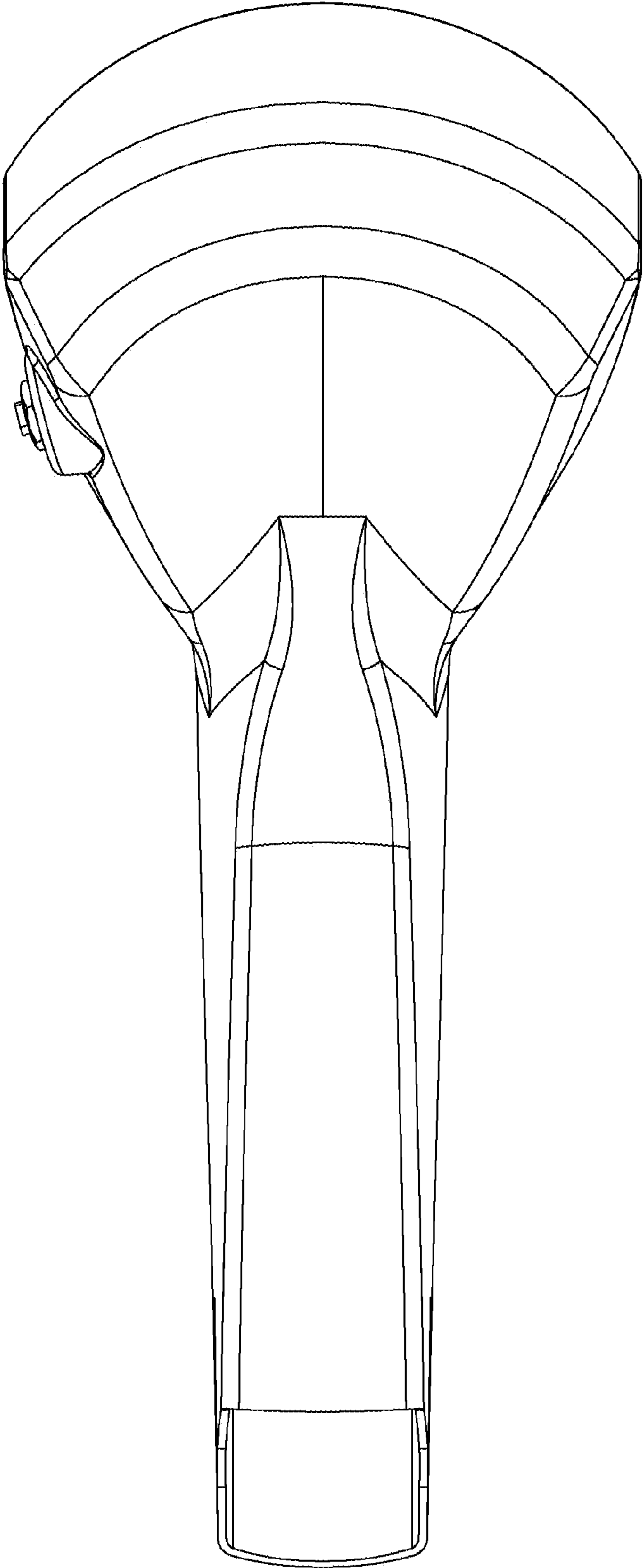


FIG. 4

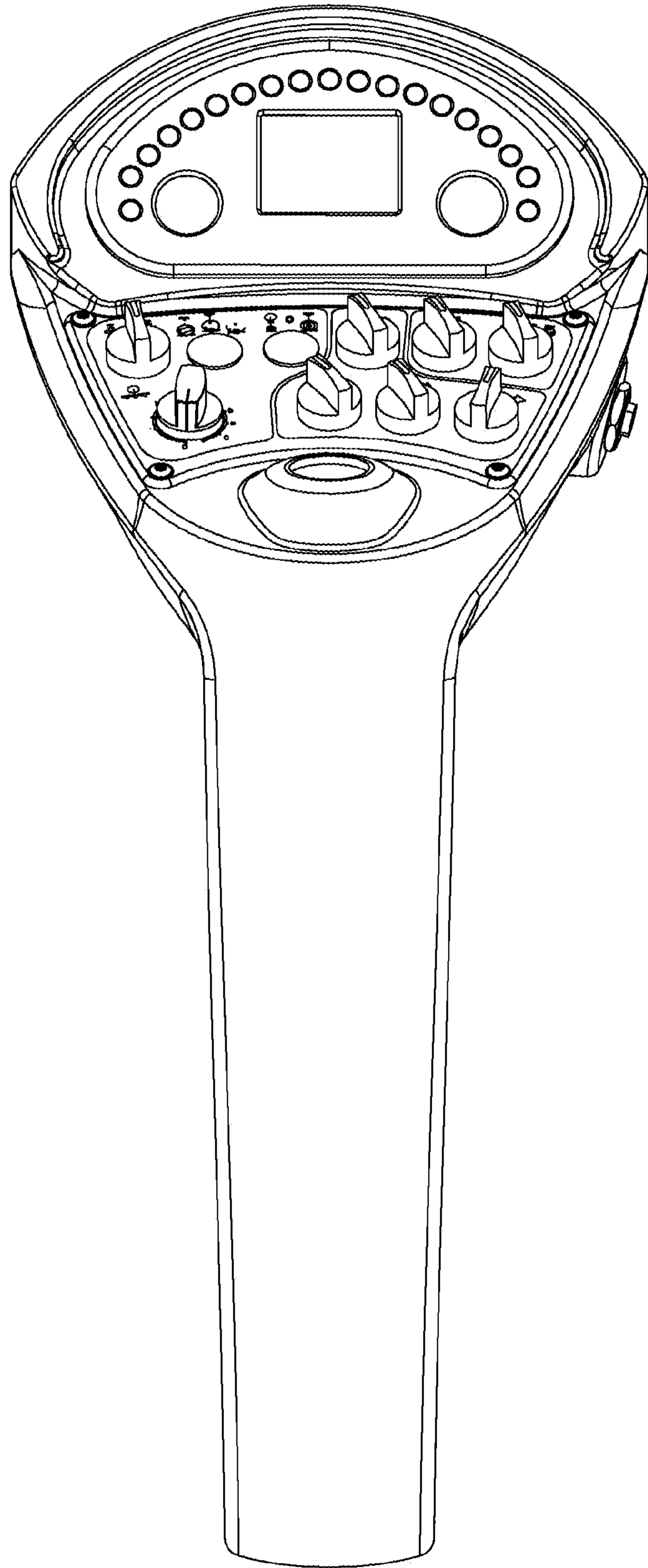


FIG. 5

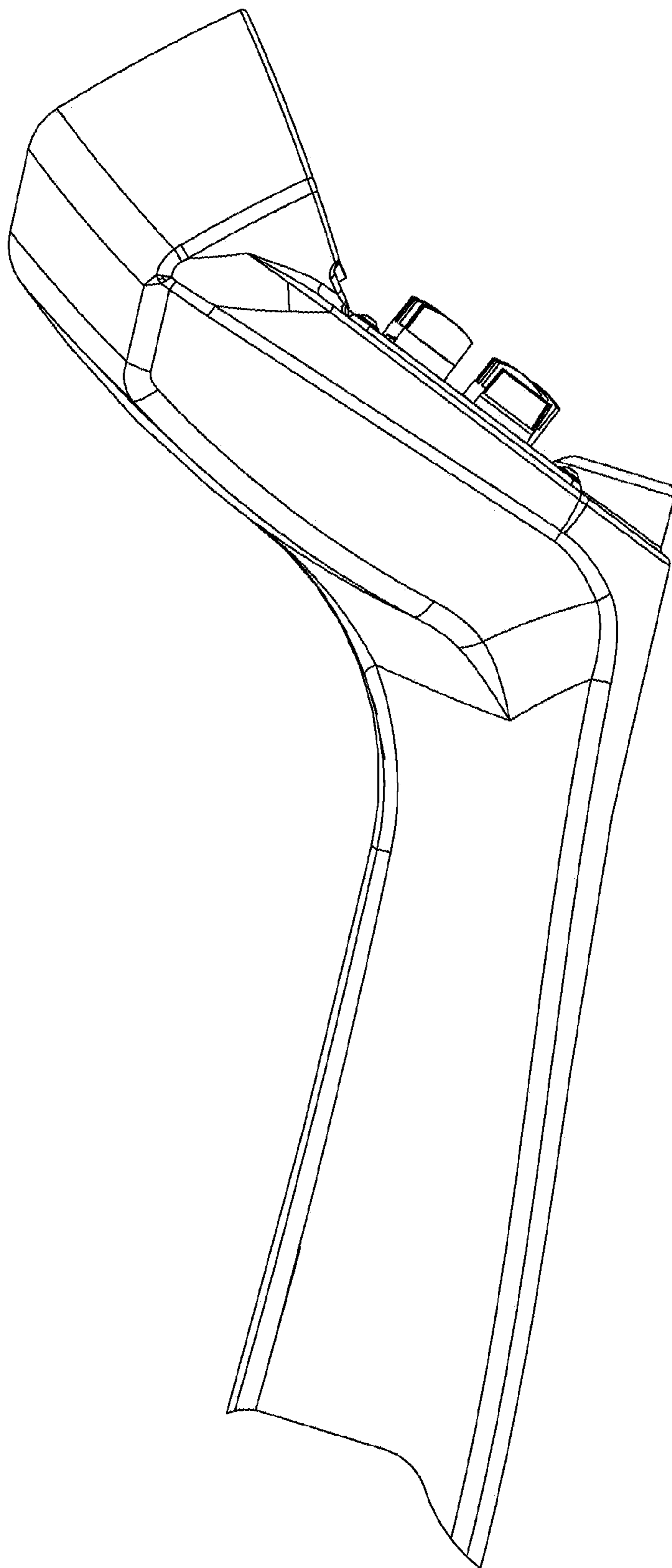


FIG. 6

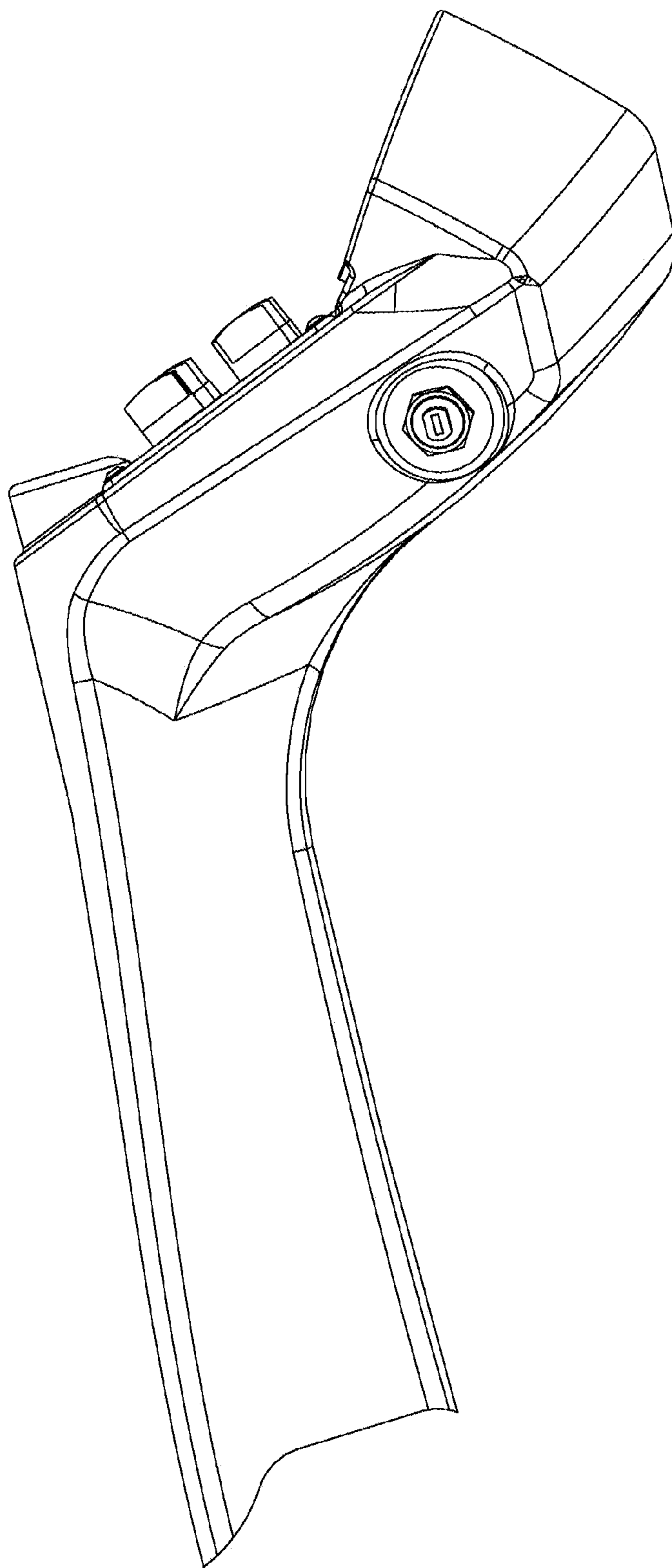


FIG. 7