



US00D706307S

(12) **United States Design Patent**
Renski et al.

(10) **Patent No.:** **US D706,307 S**
(45) **Date of Patent:** **** Jun. 3, 2014**

(54) **ADAPTER FOR A GROUND ENGAGING MACHINE IMPLEMENT**

(75) Inventors: **William J. Renski**, Peoria, IL (US);
James Robert LaHood, Peoria, IL (US)

(73) Assignee: **Caterpillar, Inc.**, Peoria, IL (US)

(**) Term: **14 Years**

(21) Appl. No.: **29/403,566**

(22) Filed: **Oct. 7, 2011**

(51) **LOC (10) Cl.** **15-03**

(52) **U.S. Cl.**
USPC **D15/28**

(58) **Field of Classification Search**
USPC D15/11, 28, 29; 37/456, 452, 450, 446,
37/454, 449, 453, 455, 903; 403/379.5,
403/DIG. 1; 111/152; 172/724, 730, 766,
172/770, 771, 721, 713, 699, 772
See application file for complete search history.

(56) **References Cited**

U.S. PATENT DOCUMENTS

1,384,701 A *	7/1921	McMonegal	37/454
1,571,782 A *	2/1926	Andrews	37/454
2,427,651 A	9/1947	Baer	
D182,143 S *	2/1958	Petersen	D15/29
2,982,035 A	5/1961	Stephenson	
3,019,537 A	2/1962	Stephenson	
3,312,004 A	4/1967	Johnson	
3,623,247 A	11/1971	Stepe	
3,774,324 A *	11/1973	Lafond	37/457
3,823,496 A *	7/1974	Querci et al.	37/458
3,832,077 A *	8/1974	Von Mehren	403/379.4
4,027,408 A	6/1977	Ramella et al.	
D251,431 S *	3/1979	Klett et al.	D15/28
D252,461 S *	7/1979	Korpi	D15/28
D255,119 S *	5/1980	Korpi	D15/29
4,231,173 A *	11/1980	Davis	37/457
D275,859 S *	10/1984	Nilsson	D15/28

4,516,340 A	5/1985	Launder	
D296,442 S *	6/1988	Broomhall	D15/29
4,761,900 A	8/1988	Emrich	
4,932,145 A	6/1990	Reeves	
4,949,481 A	8/1990	Fellner	
4,965,945 A	10/1990	Emrich	
4,980,980 A *	1/1991	Schadov et al.	37/452

(Continued)

FOREIGN PATENT DOCUMENTS

EP	0 411 486 A1	2/1991
EP	2011927 A2	1/2009

OTHER PUBLICATIONS

Caterpillar, Inc., Cat® K Series™ Tooth Systems, brochure (4 pages), 2006.

(Continued)

Primary Examiner — Mark Goodwin
(74) *Attorney, Agent, or Firm* — SAIDMAN DesignLaw Group

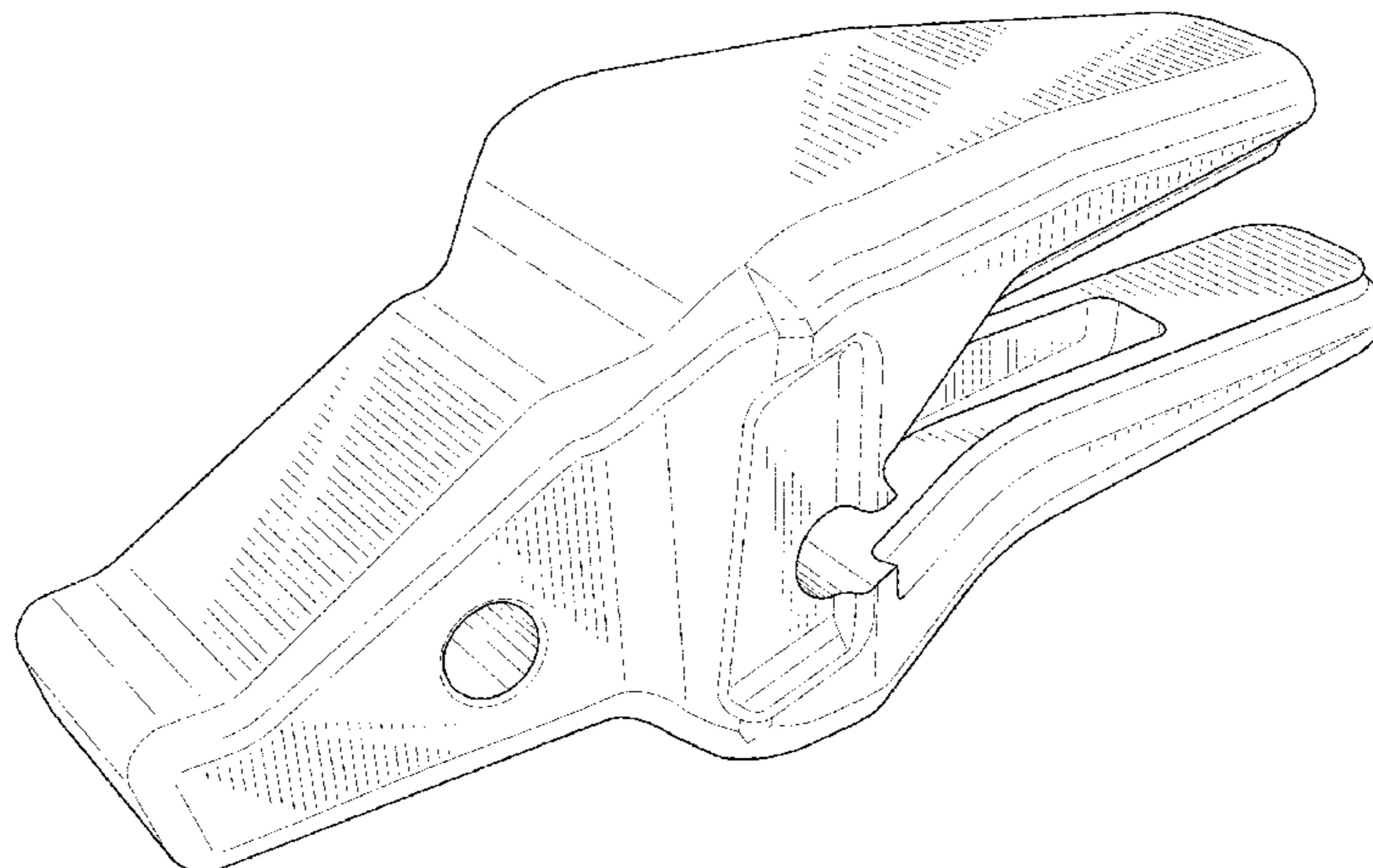
(57) **CLAIM**

The ornamental design for an adapter for a ground engaging machine implement, as shown and described.

DESCRIPTION

FIG. 1 is a perspective view of an adapter for a ground engaging machine implement showing our new design; FIG. 2 is a front view thereof; FIG. 3 is a rear view thereof; FIG. 4 is a right side view thereof; FIG. 5 is a left side view thereof; FIG. 6 is a top view thereof; FIG. 7 is a bottom view thereof; FIG. 8 is a bottom rear left perspective view thereof; and, FIG. 9 is a top rear right perspective view thereof.

1 Claim, 7 Drawing Sheets



(56)

References Cited

U.S. PATENT DOCUMENTS

5,018,283 A 5/1991 Fellner
 D336,476 S * 6/1993 Garman D15/28
 D339,592 S * 9/1993 Johansson D15/29
 D345,364 S * 3/1994 Robinson D15/29
 D352,044 S * 11/1994 Hahn D15/29
 5,423,138 A * 6/1995 Livesay et al. 37/456
 D365,577 S * 12/1995 Ruvang D15/29
 5,561,925 A * 10/1996 Livesay 37/455
 D385,286 S * 10/1997 Moreno D15/29
 5,709,043 A * 1/1998 Jones et al. 37/458
 D392,292 S * 3/1998 Moreno D15/29
 D395,661 S * 6/1998 Moreno D15/29
 5,852,888 A 12/1998 Cornelius
 D408,422 S * 4/1999 Moreno D15/29
 D410,657 S * 6/1999 Launder et al. D15/29
 D413,338 S * 8/1999 Pueyo Molina D15/29
 D414,193 S * 9/1999 Launder et al. D15/29
 D415,173 S * 10/1999 Zaun D15/29
 5,983,534 A 11/1999 Robinson et al.
 D417,877 S * 12/1999 Launder et al. D15/29
 D429,256 S * 8/2000 Zaun D15/29
 D429,258 S * 8/2000 Zaun D15/29
 6,321,471 B2 * 11/2001 Fernandez Munoz et al. . 37/456
 D454,891 S * 3/2002 Ketting et al. D15/29
 D460,464 S * 7/2002 Ketting et al. D15/29
 D461,198 S * 8/2002 Ketting et al. D15/29

D461,832 S * 8/2002 Ketting et al. D15/29
 6,477,796 B1 * 11/2002 Cornelius 37/452
 6,735,890 B2 5/2004 Carpenter et al.
 6,745,503 B1 6/2004 Moreno et al.
 D499,749 S * 12/2004 Launder et al. D15/29
 6,836,983 B2 1/2005 Moreno et al.
 6,865,828 B1 3/2005 Molino et al.
 D505,137 S * 5/2005 Steinlage et al. D15/29
 D512,078 S * 11/2005 Poutre D15/29
 D527,029 S * 8/2006 Launder et al. D15/29
 7,100,315 B2 9/2006 Carpenter et al.
 7,168,193 B2 1/2007 Moreno et al.
 D552,632 S * 10/2007 De Martiis D15/29
 D560,232 S * 1/2008 De Martiis D15/29
 7,367,144 B2 5/2008 Jones et al.
 D614,206 S * 4/2010 Ruvang D15/29
 7,739,814 B2 6/2010 Carpenter et al.
 D624,943 S * 10/2010 Gibbon D15/29
 2008/0028644 A1 2/2008 Almendros et al.

OTHER PUBLICATIONS

Caterpillar, "Cat Backhoe Loader Options," published Jan. 1, 2005.
 U.S. Appl. No. 13/644,429, filed Oct. 4, 2012, entitled "Implement
 Tooth Assembly with Tip and Adapter".
 U.S. Appl. No. 29/403,594, filed Oct. 7, 2011, entitled "Adapter for
 Ground Engaging Machine Implement".

* cited by examiner

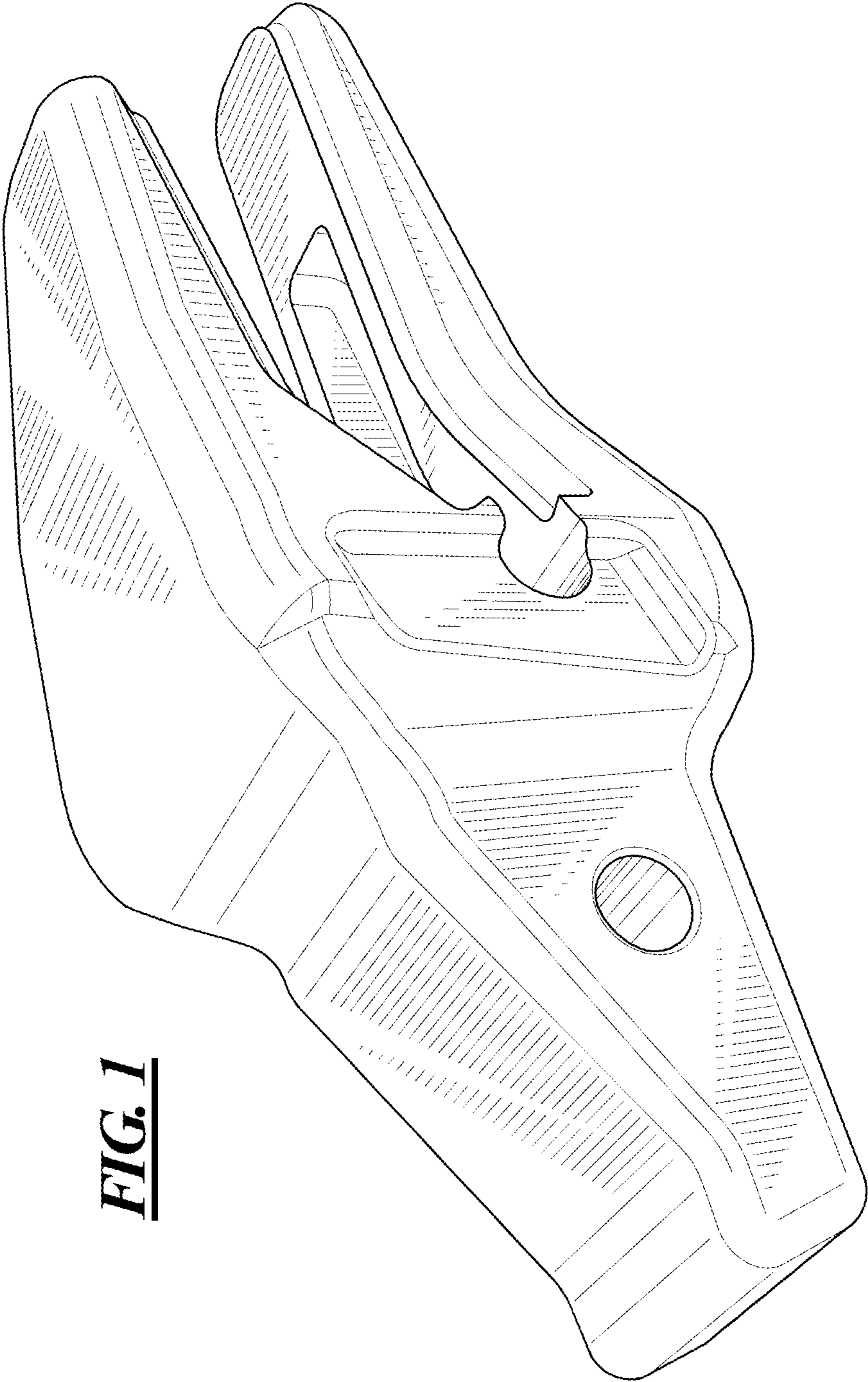


FIG. 1

FIG. 3

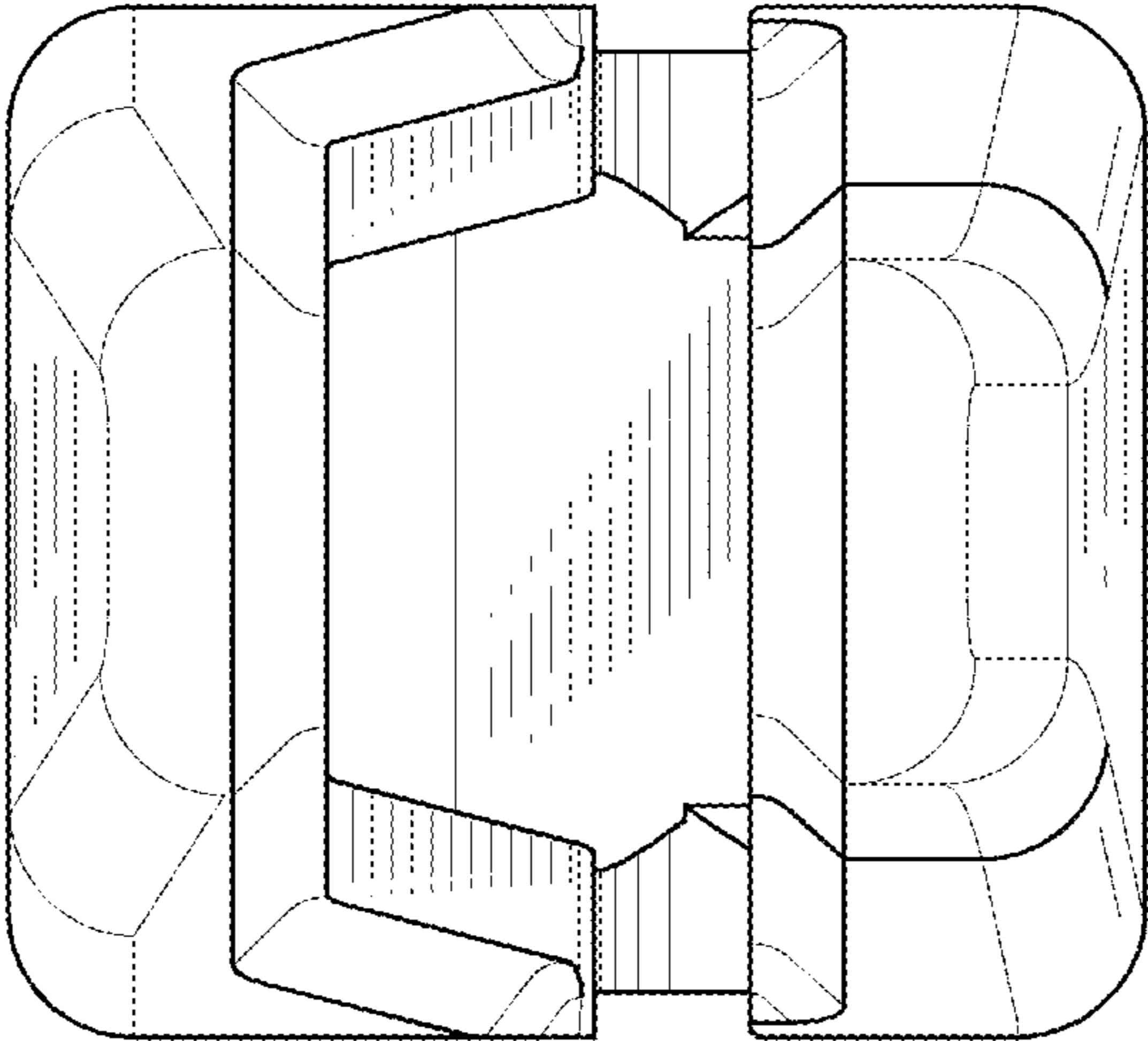
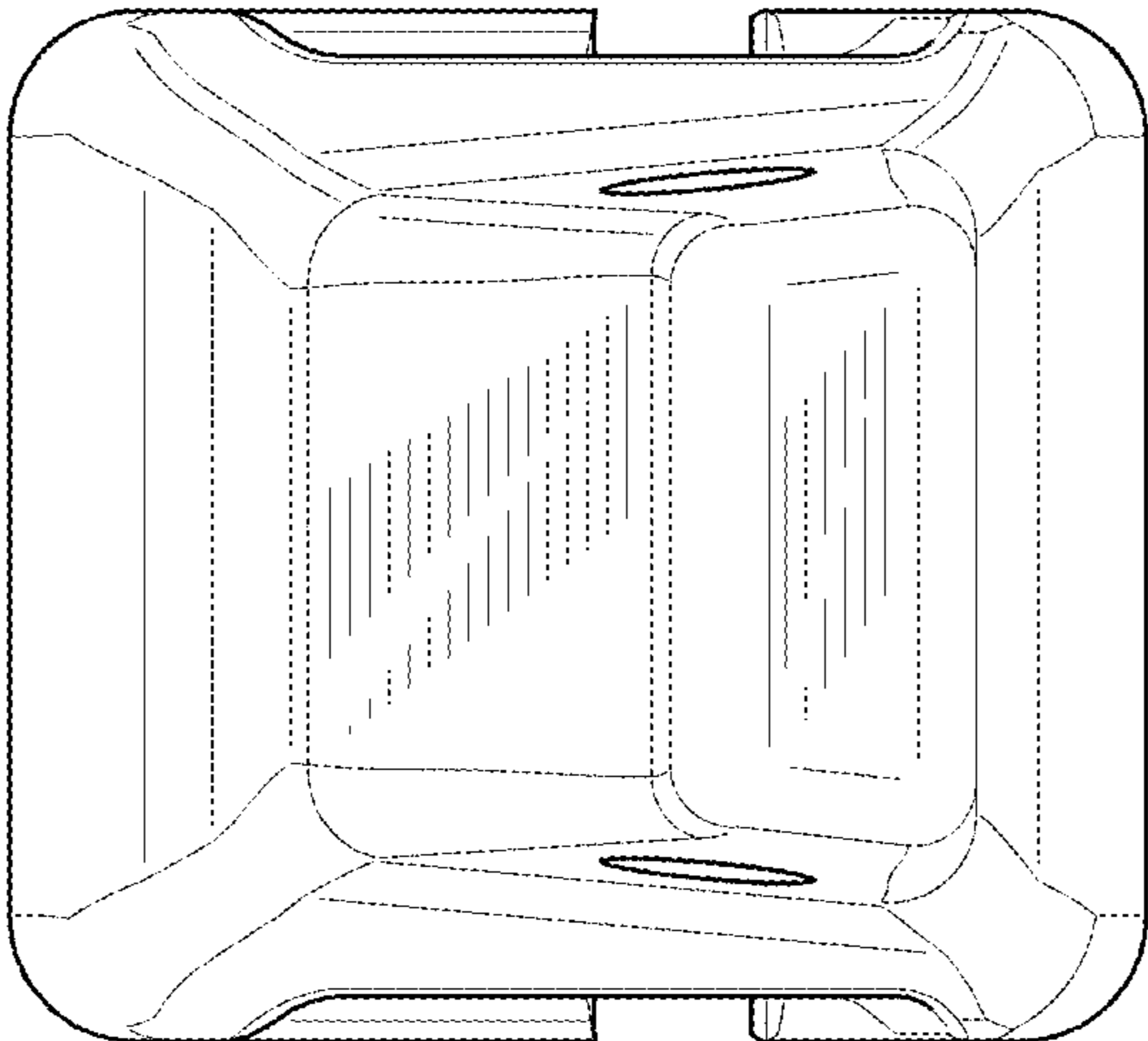
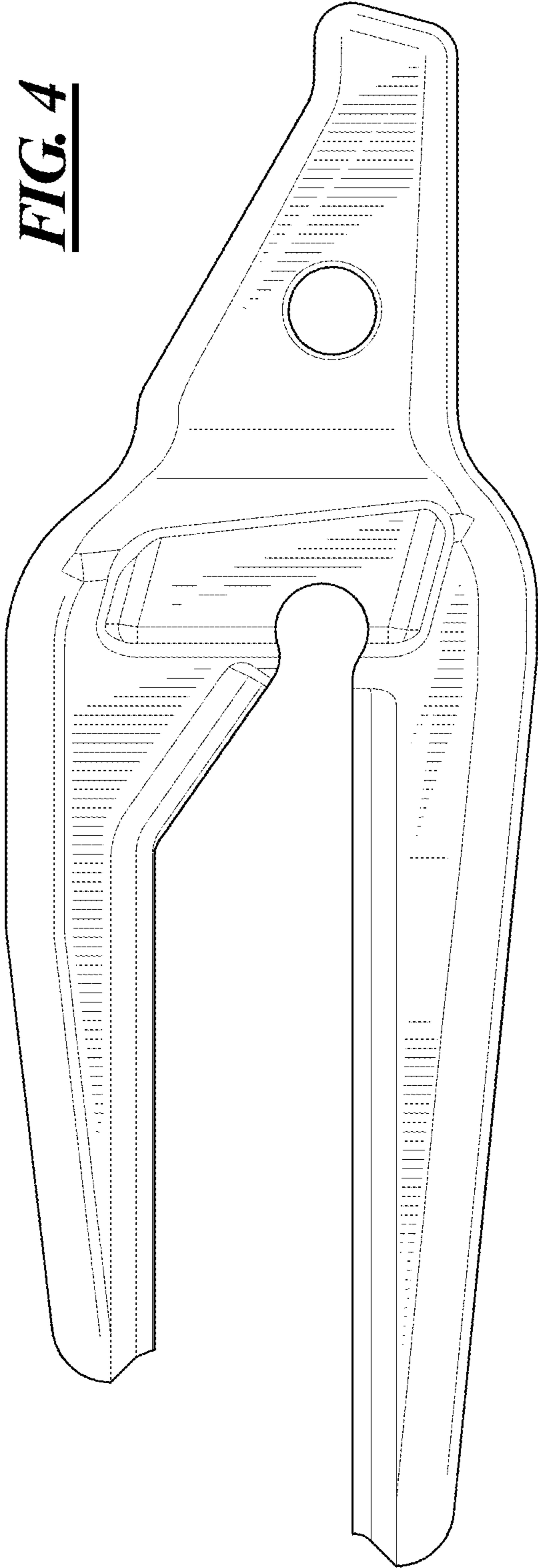


FIG. 2





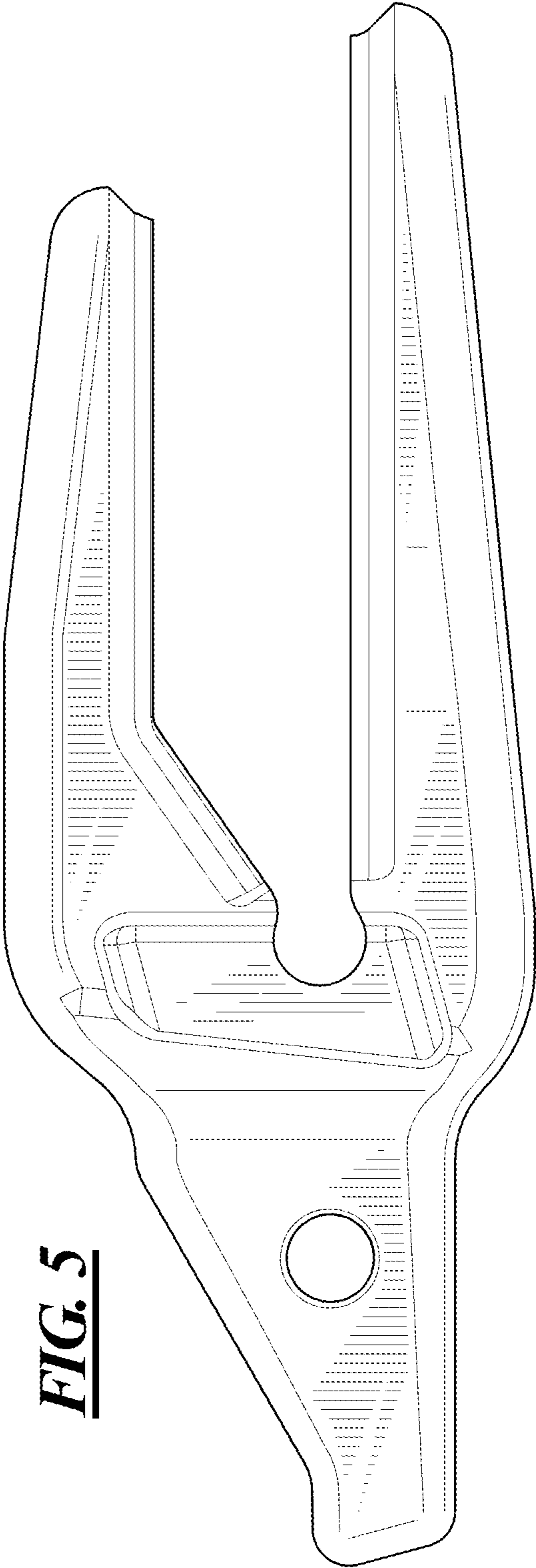


FIG. 5

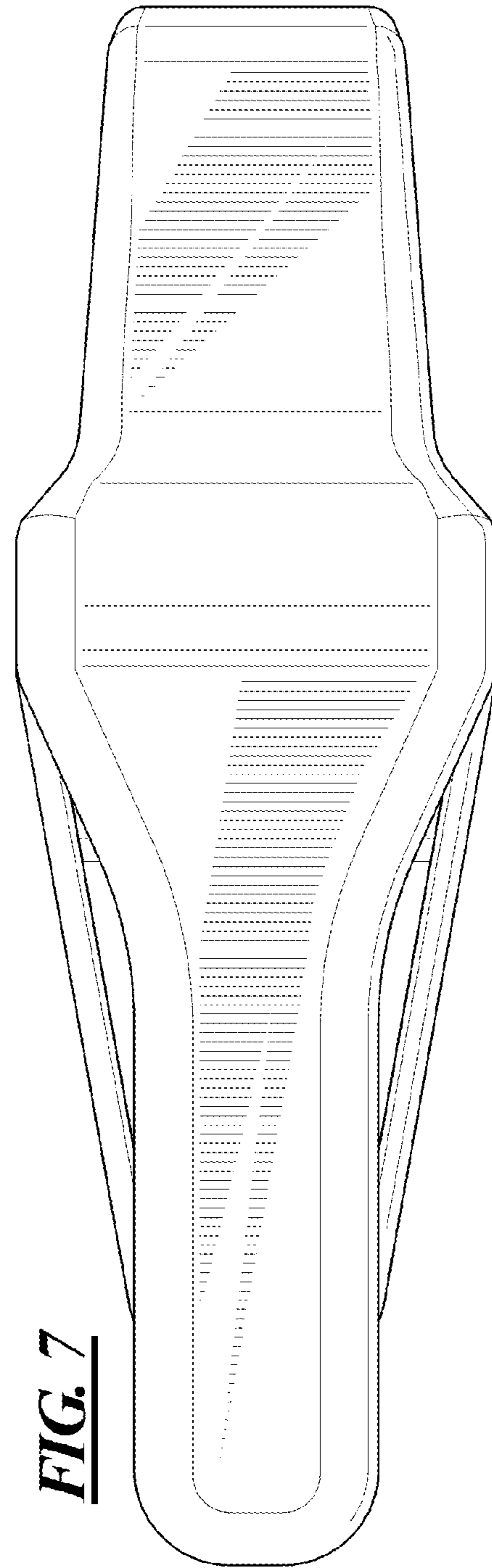
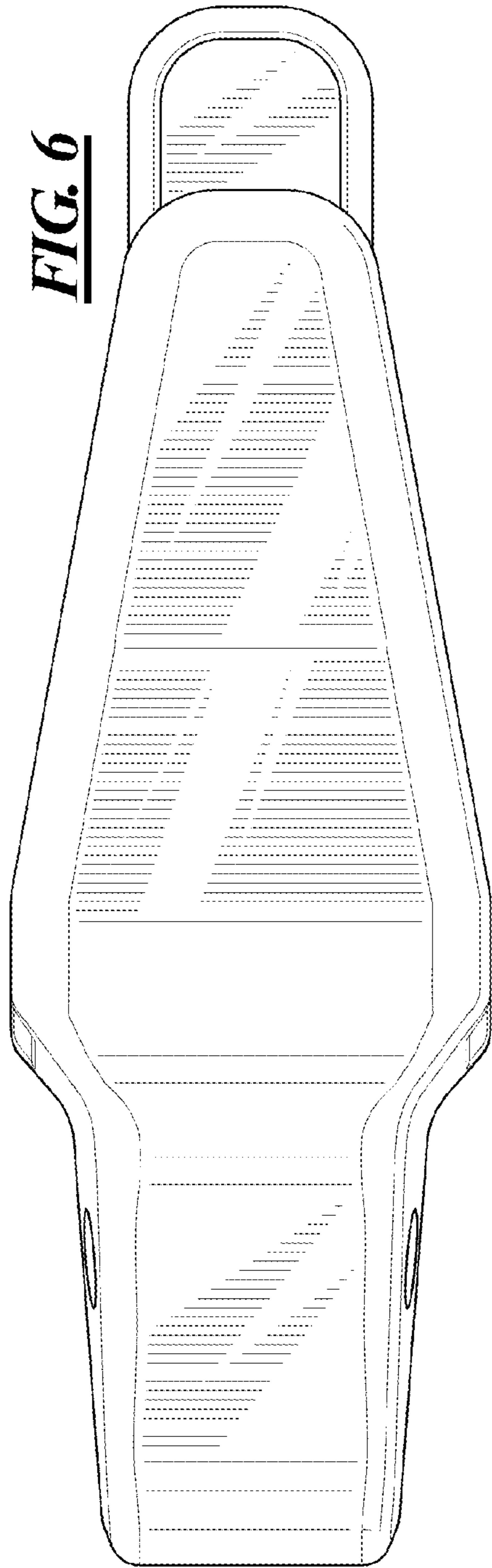
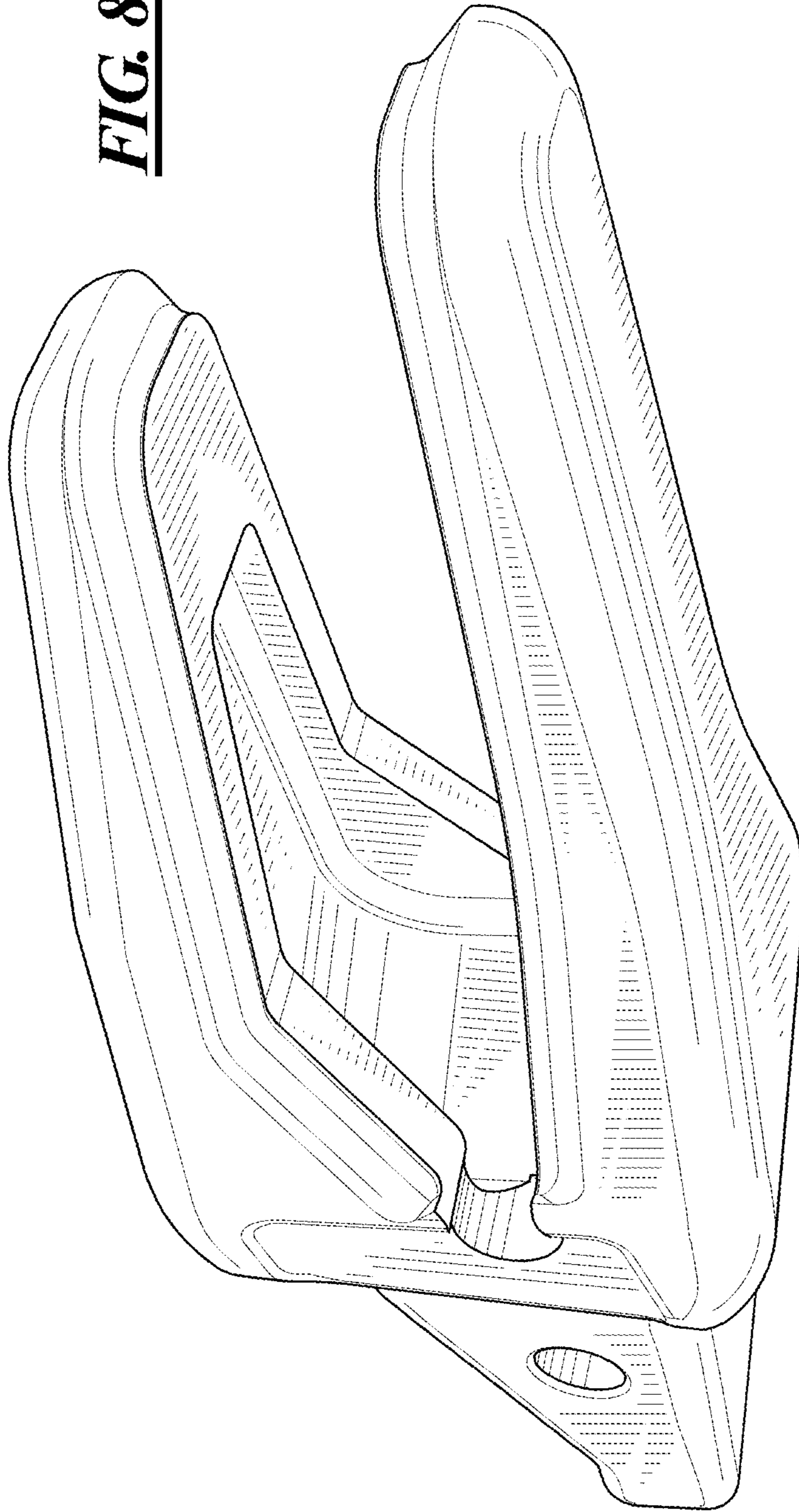


FIG. 8



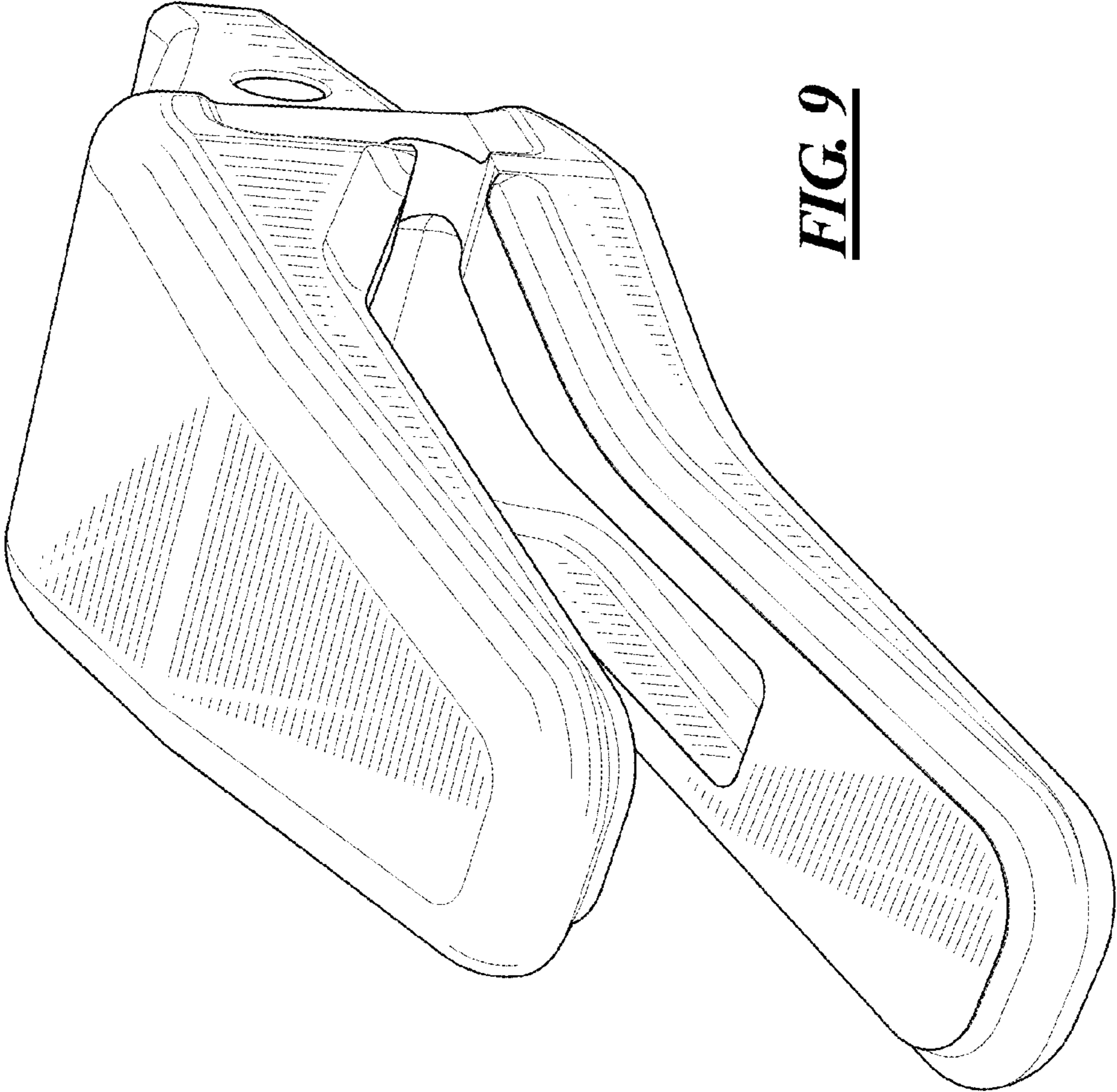


FIG. 9