



US00D706304S

(12) **United States Design Patent**
Katada

(10) **Patent No.:** **US D706,304 S**
(45) **Date of Patent:** **** Jun. 3, 2014**

(54) **MOTOR**

(71) Applicant: **Nidec Copal Corporation**, Tokyo (JP)

(72) Inventor: **Yoshinori Katada**, Saitama (JP)

(73) Assignee: **Nidec Copal Corporation**, Tokyo (JP)

(**) Term: **14 Years**

(21) Appl. No.: **29/451,095**

(22) Filed: **Mar. 27, 2013**

(30) **Foreign Application Priority Data**

Nov. 29, 2012 (JP) 2012-029195

(51) **LOC (10) Cl.** **15-01**

(52) **U.S. Cl.**
USPC **D15/1; D13/112**

(58) **Field of Classification Search**
USPC D15/1, 3, 5; D13/112, 101, 113, 114,
D13/199; 91/197; 310/47, 89, 113, 166, 91
See application file for complete search history.

(56) **References Cited**

U.S. PATENT DOCUMENTS

D200,577 S * 3/1965 Crouse et al. D13/112
D306,280 S * 2/1990 Pfeifer et al. D13/114
7,109,616 B2 * 9/2006 Grzywacz et al. 310/68 B
D562,237 S * 2/2008 Tu D13/112
D573,091 S * 7/2008 Shih et al. D13/112

D597,943 S * 8/2009 Lin et al. D13/112
D601,958 S * 10/2009 Huan et al. D13/112
7,812,491 B2 * 10/2010 Katada et al. 310/89
7,888,832 B2 * 2/2011 Masato 310/81
8,354,764 B2 * 1/2013 Hara 310/81
2008/0054764 A1 * 3/2008 Katada et al. 310/49 R
2010/0270879 A1 * 10/2010 Matsushita 310/71
2011/0291509 A1 * 12/2011 Hara 310/91
2011/0291510 A1 * 12/2011 Hara 310/91

* cited by examiner

Primary Examiner — T. Chase Nelson

Assistant Examiner — Ania Aman

(74) *Attorney, Agent, or Firm* — Beyer Law Group LLP

(57) **CLAIM**

I claim the ornamental design for a motor, substantially as shown and described.

DESCRIPTION

FIG. 1 is a top front perspective view of a motor showing my new design;

FIG. 2 is a front view thereof;

FIG. 3 is a rear view thereof;

FIG. 4 is a left side view thereof;

FIG. 5 is a right side view thereof;

FIG. 6 is a top plan view thereof; and,

FIG. 7 is a bottom plan view thereof.

The broken line showing of a bearing is for the purpose of illustrating portions of the motor and forms no part of the claimed design.

1 Claim, 3 Drawing Sheets

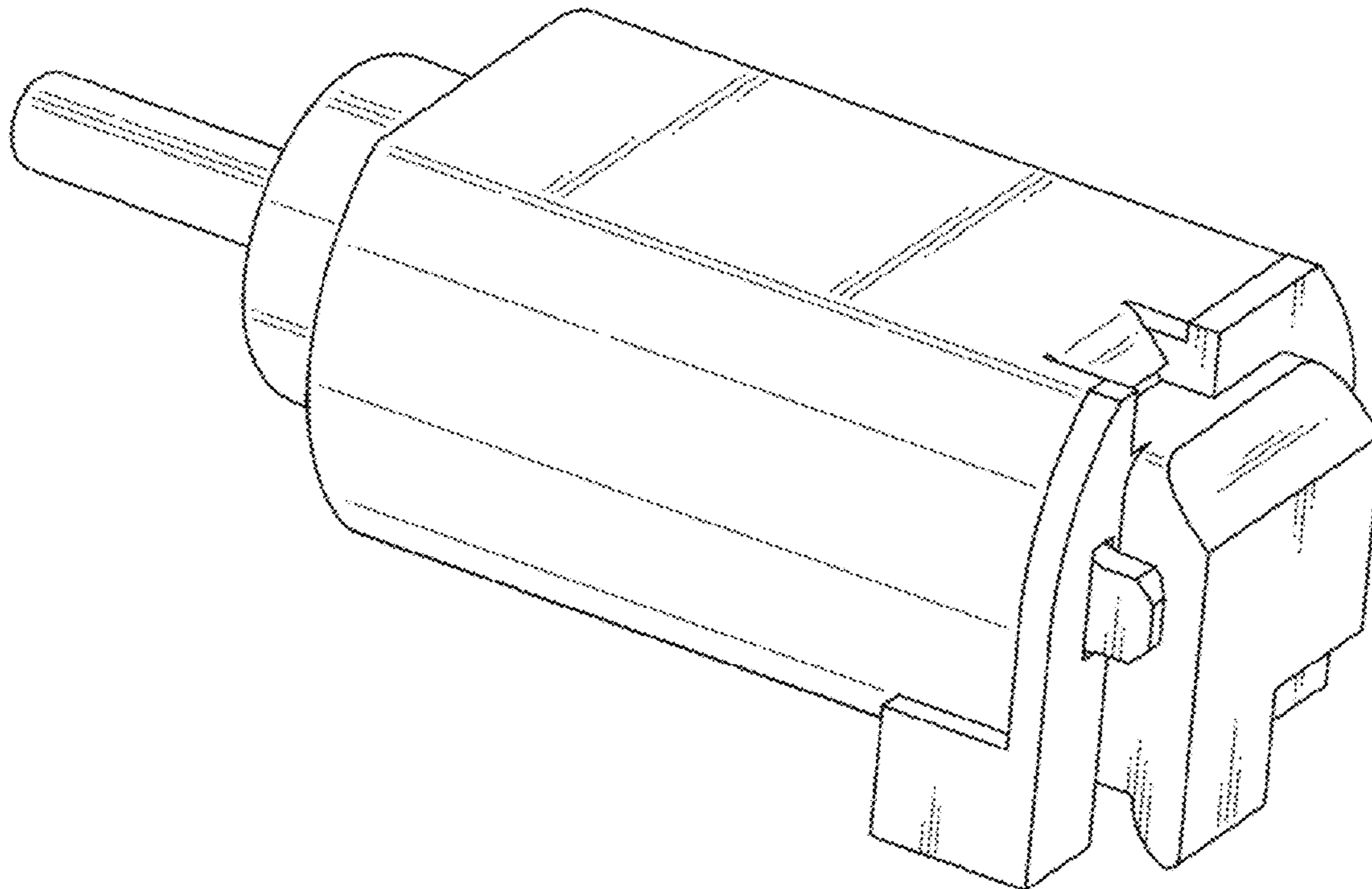


Fig. 1

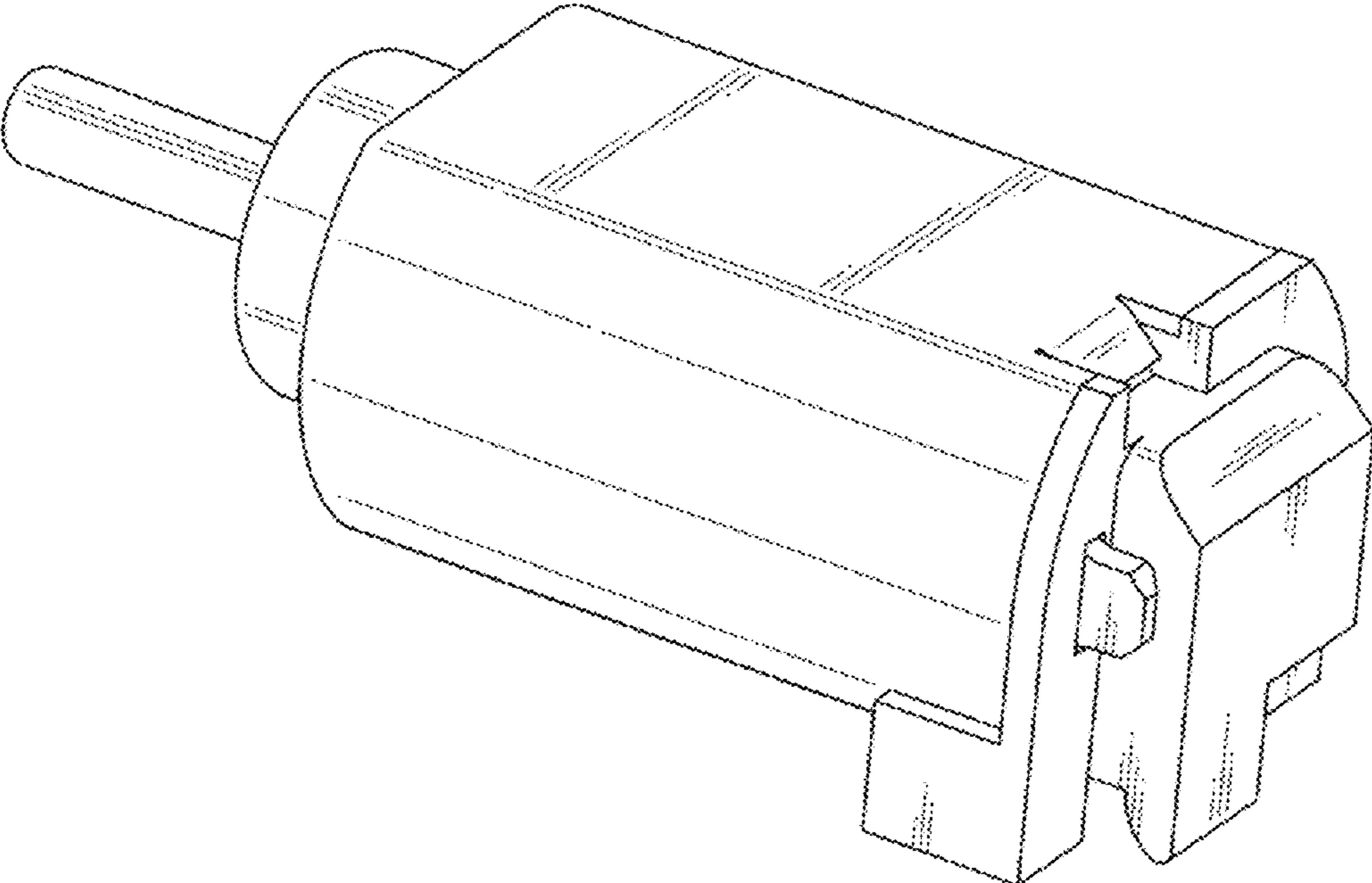


Fig. 2

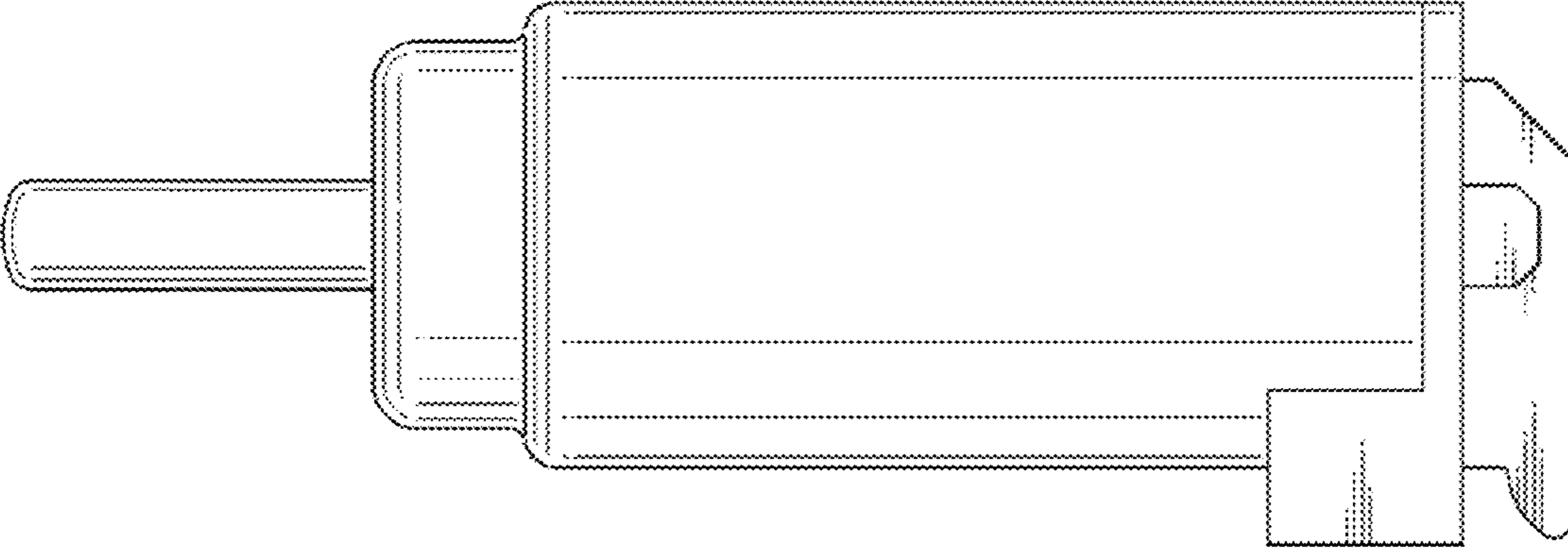


Fig. 3

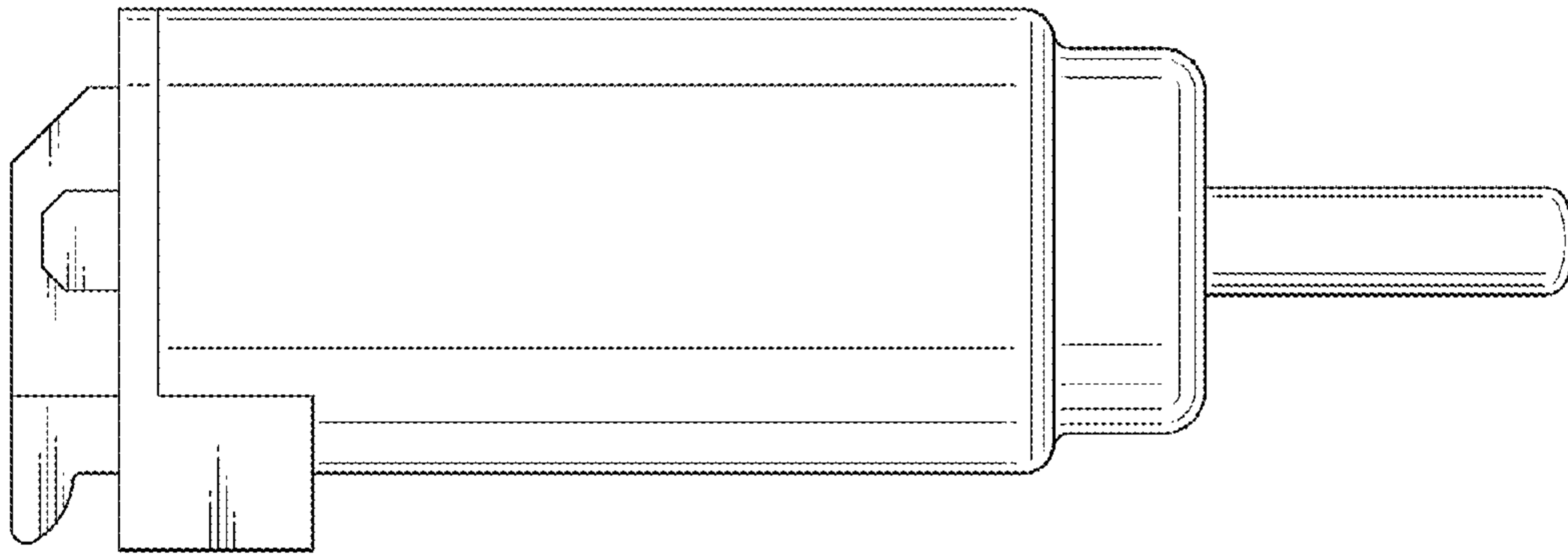


Fig. 4

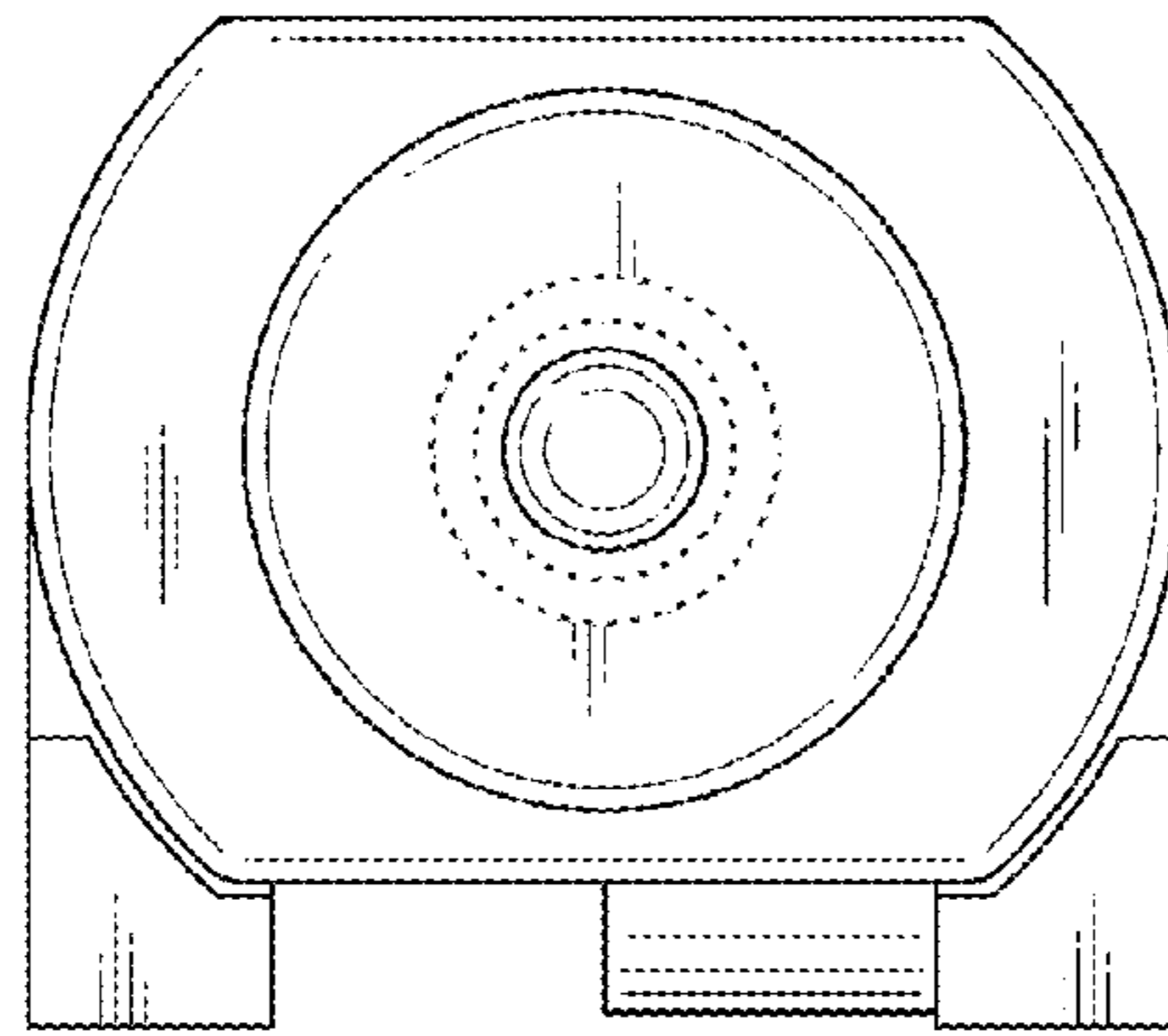


Fig. 5

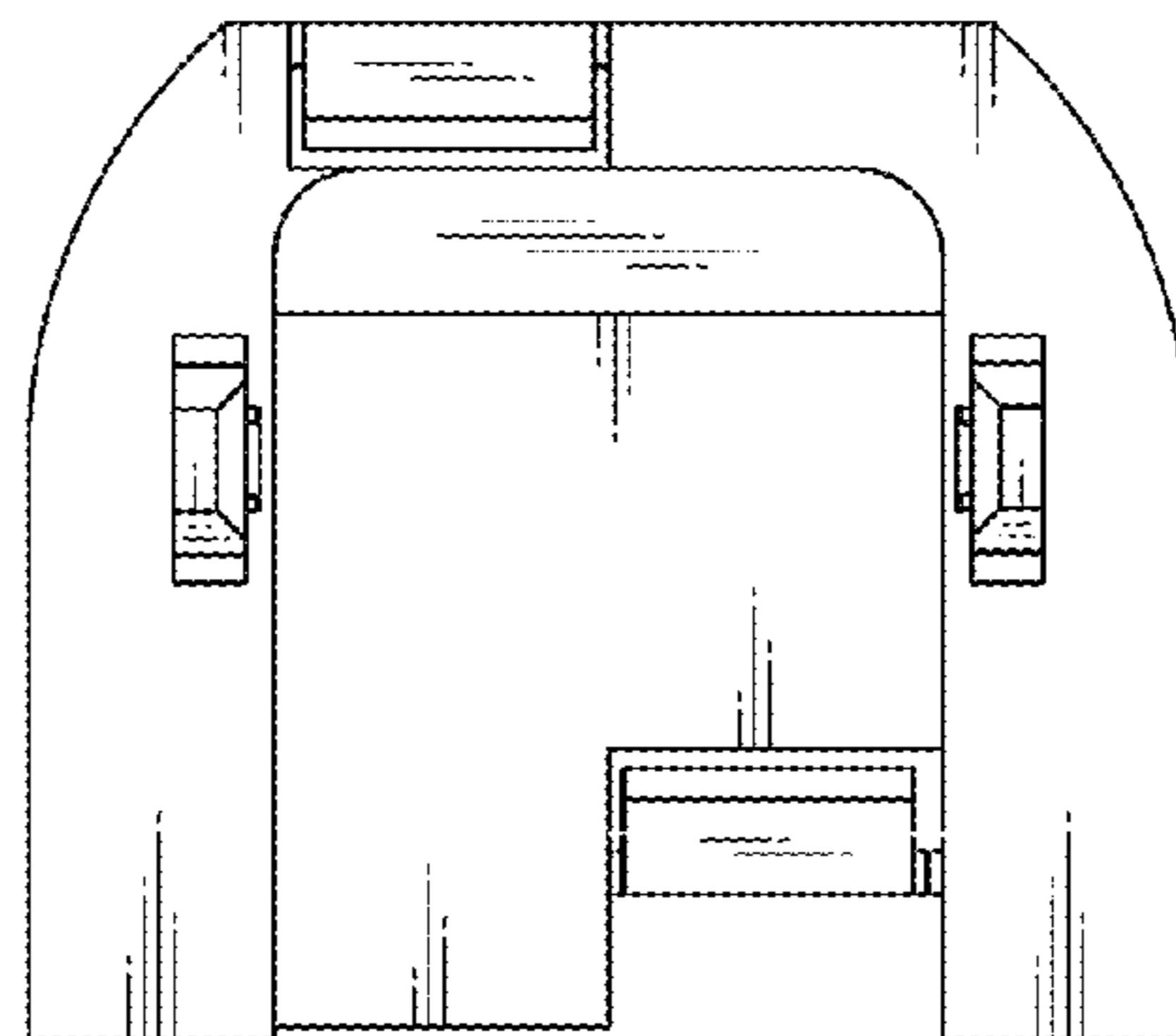


Fig. 6

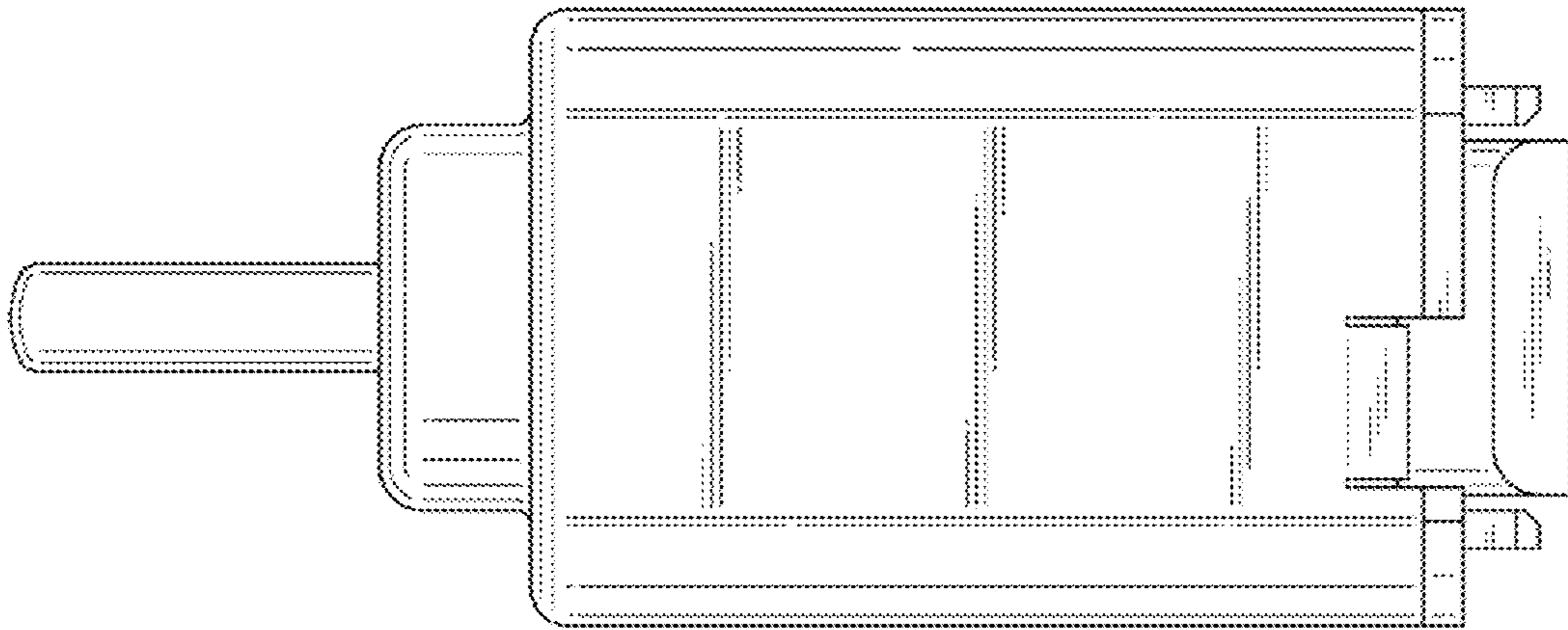


Fig. 7

