



US00D706303S

(12) **United States Design Patent**  
**Woo et al.**

(10) **Patent No.:** **US D706,303 S**  
(45) **Date of Patent:** **\*\* Jun. 3, 2014**

(54) **AV PLAYER**

(71) Applicant: **Samsung Electronics Co., Ltd.**,  
Suwon-si (KR)

(72) Inventors: **Byung-Min Woo**, Bucheon-Si (KR);  
**Chae-Joo Son**, Namyangjoo-Si (KR)

(73) Assignee: **Samsung Electronics Co., Ltd.**,  
Suwon-si (KR)

(\*\*) Term: **14 Years**

(21) Appl. No.: **29/446,999**

(22) Filed: **Feb. 28, 2013**

(30) **Foreign Application Priority Data**

Aug. 29, 2012 (KR) ..... 30-2012-0041591

(51) **LOC (10) Cl.** ..... **14-03**

(52) **U.S. Cl.**  
USPC ..... **D14/502**; D14/496; D14/511; D14/203.1

(58) **Field of Classification Search**  
USPC ..... D9/430, 431, 435; D13/103, 108;  
D14/135, 155, 157, 160–162, 167, 168,  
D14/188–198, 250, 257, 258, 265, 348, 356,  
D14/363, 365, 367, 368, 495, 498–505,  
D14/511; D16/130, 217, 219, 221; D26/36,  
D26/74, 124; 360/99.02, 99.07; 369/75.11,  
369/75.21, 77.11, 77.21; 720/601, 612,  
720/619, 649, 655; D8/330–343  
See application file for complete search history.

(56) **References Cited**

**U.S. PATENT DOCUMENTS**

D301,716 S \* 6/1989 Ohzu ..... D14/188  
D475,802 S \* 6/2003 Homann ..... D26/74

D485,265 S \* 1/2004 Sato et al. .... D14/341  
D491,594 S \* 6/2004 Senda ..... D16/219  
D514,588 S \* 2/2006 Sassano ..... D14/496  
D524,288 S \* 7/2006 Lee ..... D14/168  
D532,414 S \* 11/2006 Storti et al. .... D14/240  
D541,273 S \* 4/2007 Wang ..... D14/356  
D549,223 S \* 8/2007 McKimm et al. .... D14/240  
D561,225 S \* 2/2008 Miyahara ..... D16/219  
D566,520 S \* 4/2008 Samhammer et al. .... D8/331  
D568,310 S \* 5/2008 Franck et al. .... D14/356

**FOREIGN PATENT DOCUMENTS**

DE D052588-011 \* 9/2000

\* cited by examiner

*Primary Examiner* — Prabhakar Deshmukh

*Assistant Examiner* — Janice Lim

(74) *Attorney, Agent, or Firm* — NSIP Law

(57) **CLAIM**

The ornamental design for an AV player, as shown and described.

**DESCRIPTION**

FIG. 1 is a front perspective view of an AV player showing our new design;

FIG. 2 is a front view of the AV player of FIG. 1;

FIG. 3 is a right-side view of the AV player of FIG. 1;

FIG. 4 is a top plan view of the AV player of FIG. 1;

FIG. 5 is a bottom plan view of the AV player of FIG. 1; and,

FIG. 6 is an enlarged perspective view of the AV player of FIG. 1.

The dash-dot-dot-dash line portions in all Figures are included to show unclaimed bounds of the design and form no part of the claimed design. Features shown in broken lines in FIGS. 1, 2, 3, 4, and 5 show unclaimed subject matter and form no part of the claimed design.

**1 Claim, 5 Drawing Sheets**

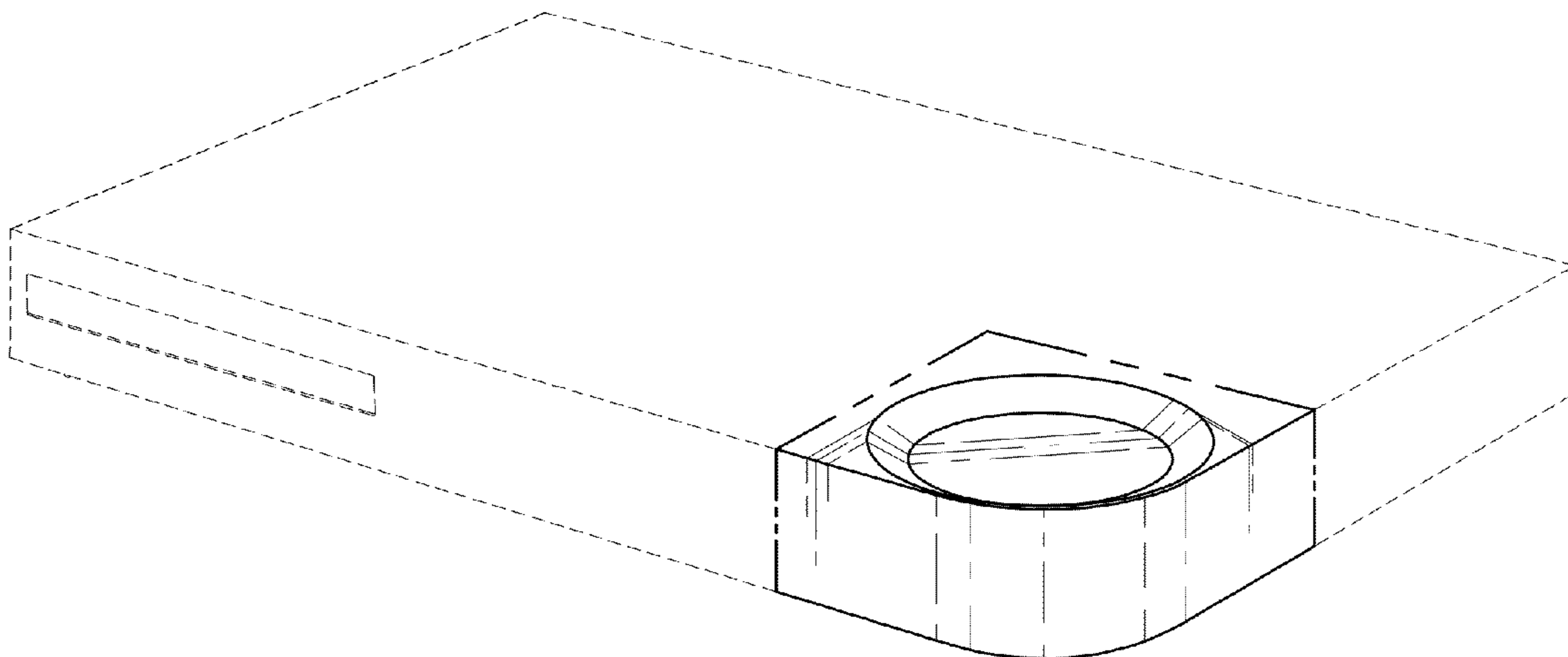


FIG. 1

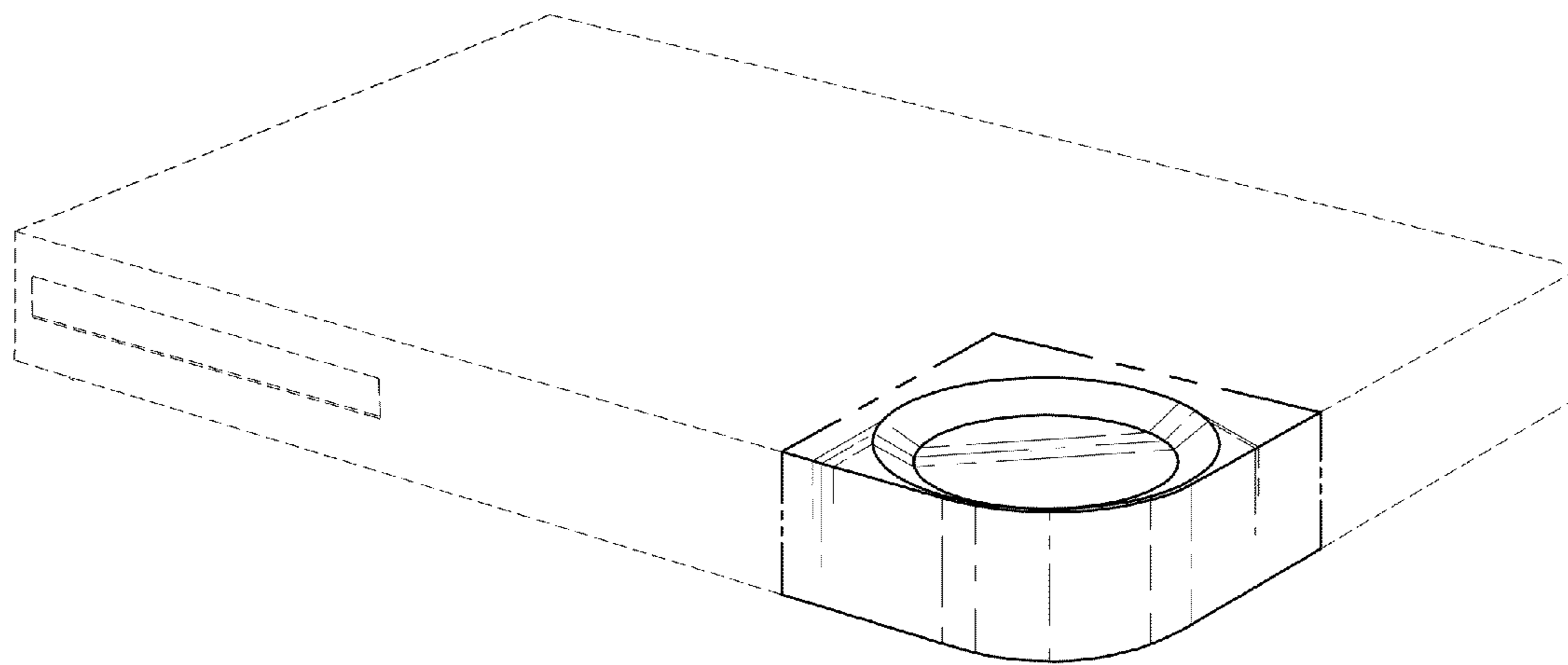


FIG. 2



FIG. 3



FIG. 4

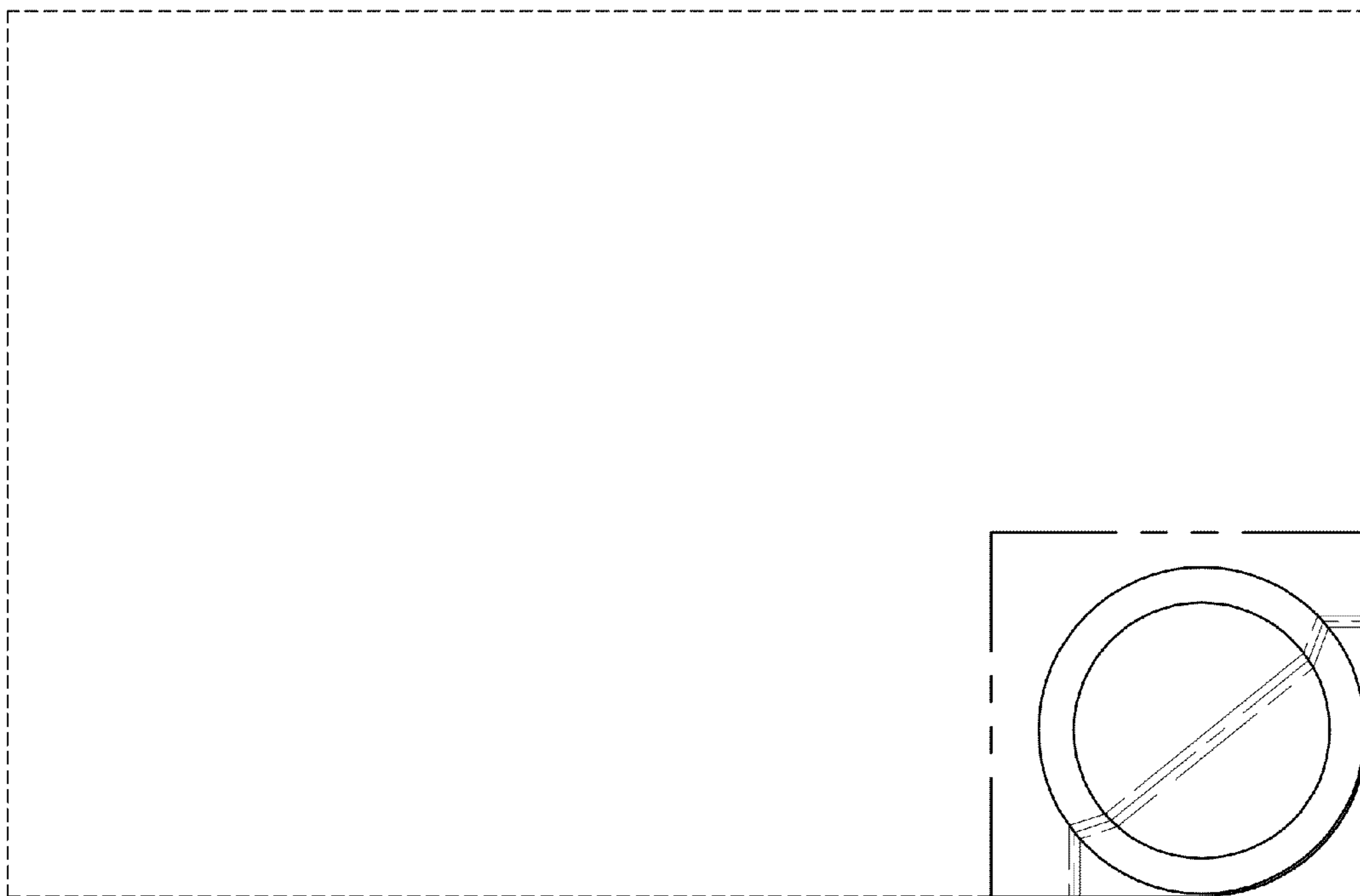


FIG. 5



FIG. 6

