



US00D706301S

(12) **United States Design Patent**  
**Akana et al.**

(10) **Patent No.:** **US D706,301 S**  
(45) **Date of Patent:** **\*\* Jun. 3, 2014**

(54) **ELECTRONIC DEVICE WITH GRAPHICAL USER INTERFACE**

(75) Inventors: **Jody Akana**, San Francisco, CA (US); **Bartley K. Andre**, Menlo Park, CA (US); **Jeremy Bataillou**, San Francisco, CA (US); **Jesse Boettcher**, San Jose, CA (US); **Daniel J. Coster**, San Francisco, CA (US); **Anton Davydov**, Gilroy, CA (US); **Daniele De Iuliis**, San Francisco, CA (US); **M. Evans Hankey**, San Francisco, CA (US); **Julian Hoenig**, San Francisco, CA (US); **Richard P. Howarth**, San Francisco, CA (US); **Jonathan P. Ive**, San Francisco, CA (US); **Duncan Robert Kerr**, San Francisco, CA (US); **Shin Nishibori**, Kailua, HI (US); **Matthew Dean Rohrbach**, San Francisco, CA (US); **Peter Russell-Clarke**, San Francisco, CA (US); **Mikael Silvanto**, San Francisco, CA (US); **Christopher J. Stringer**, Woodside, CA (US); **Eugene Antony Whang**, San Francisco, CA (US); **Rico Zorkendorfer**, San Francisco, CA (US)

(73) Assignee: **Apple Inc.**, Cupertino, CA (US)

(\*\*) Term: **14 Years**

(21) Appl. No.: **29/431,859**

(22) Filed: **Sep. 11, 2012**

(51) **LOC (10) Cl.** ..... **14-03**

(52) **U.S. Cl.**  
USPC ..... **D14/496; D14/486; D14/341**

(58) **Field of Classification Search**  
USPC ..... D14/341-347, 137, 138 AA, 138 R, D14/138 C, 138 G, 496, 203.1, 203.3, 203.4, D14/203.7, 129, 130, 420, 426, 147, 218, D14/247-248, 389, 388, 315-318, 486, 488,

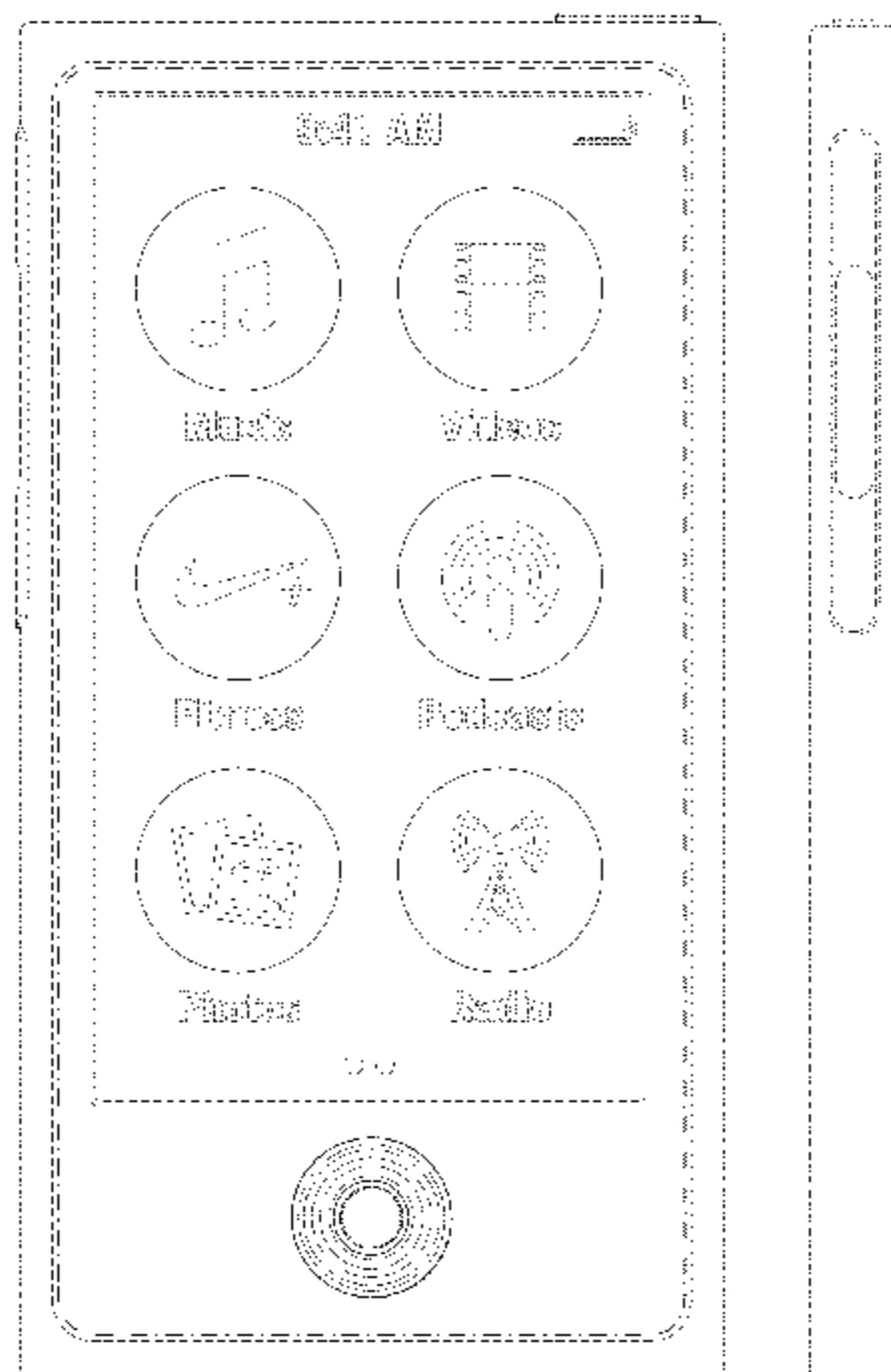
D14/489; D10/65, 104.1; D18/6-7; D21/324, 329, 330; 455/556.1, 556.2, 455/566, 575.1, 90.3; 379/433.04, 433.01, 379/433.06, 916; 345/173, 901, 905; 361/679.26, 679.27, 679.3, 679.55, 361/679.56, 680-686; 248/917-924; 348/373, 376; D19/60

See application file for complete search history.

(56) **References Cited**

U.S. PATENT DOCUMENTS

4,165,554 A	8/1979	Faget	
D270,062 S	8/1983	Ackeret	
D428,399 S *	7/2000	Kahn et al. ....	D14/488
6,122,526 A	9/2000	Parulski et al.	
D441,735 S	5/2001	Katayama	
D480,401 S *	10/2003	Kahn et al. ....	D14/488
D500,309 S *	12/2004	Borsboom ....	D14/218
D503,409 S	3/2005	Wong et al.	
D506,474 S *	6/2005	Gildred ....	D14/486
D507,577 S *	7/2005	Totten et al. ....	D14/486
D513,611 S	1/2006	Hibi	
D516,579 S	3/2006	Nakamura	
D539,814 S	4/2007	Andre et al.	
D540,340 S *	4/2007	Cummins ....	D14/486
D543,987 S *	6/2007	Rimas-Ribikauskas et al. ....	D14/485
	9/2007	Lee et al. ....	D14/218
D551,215 S *	1/2008	Young ....	D14/487
D559,262 S *	2/2008	Lim	
D562,285 S	4/2008	Kim	
D565,596 S	5/2008	Andre et al.	
D568,338 S	6/2008	Lee ....	D14/496
D570,876 S *	8/2008	Andre et al.	
D575,304 S	1/2009	Sheba et al. ....	D14/496
D585,077 S *	3/2009	Andre et al.	
D588,610 S	3/2009	Wada	
D589,510 S	5/2009	Kim	
D593,132 S	6/2009	Oas	
D595,339 S	7/2009	Chaudhri et al.	
D597,101 S	8/2009	Andre et al.	
D597,558 S	11/2009	Anzures et al.	
D604,305 S	11/2009	Andre et al.	
D604,713 S	12/2009	Ben-Moshe ....	D21/517
D606,129 S *	3/2010	Andre et al.	
D611,470 S	3/2010	Alvarez ....	D14/495
D611,498 S *	6/2010	Stoddard et al. ....	D14/218
D616,872 S *	6/2010	Chaudhri	
D617,334 S	7/2010	Fujioka et al.	
D619,593 S			



D622,696 S	8/2010	Akana et al.	
D627,790 S	11/2010	Chaudhri	
D631,032 S	1/2011	Lee	
D631,458 S	1/2011	Liao et al.	
D634,317 S	3/2011	Buckle et al.	
D636,752 S *	4/2011	Liao et al. ....	D14/138 G
D638,030 S	5/2011	Akana et al.	
D642,588 S	8/2011	Anzures	
D644,239 S	8/2011	Anzures	
D650,392 S *	12/2011	Glezer et al. ....	D14/486
D650,393 S *	12/2011	Doll .....	D14/486
D652,403 S	1/2012	Fahlgren et al.	
D652,426 S	1/2012	Anzures	
D656,955 S	4/2012	Akana et al.	
8,155,505 B2	4/2012	Lemay et al.	
D658,621 S	5/2012	Lylyk	
D658,679 S	5/2012	Davydov et al.	
D659,158 S *	5/2012	Clymer .....	D14/488
D661,701 S *	6/2012	Brown et al. ....	D14/486
D667,387 S	9/2012	Andre et al.	
D668,263 S	10/2012	Jobs et al.	
D670,723 S *	11/2012	Khan et al. ....	D14/486
D671,139 S *	11/2012	Arnold et al. ....	D14/487
D671,140 S *	11/2012	Guss et al. ....	D14/487
D672,329 S	12/2012	Fahlgren et al.	
D672,336 S *	12/2012	Lister et al. ....	D14/218
D672,741 S	12/2012	Lylyk	
D673,926 S	1/2013	Fahlgren et al.	
D675,176 S	1/2013	Aarras	
D677,688 S *	3/2013	Woo .....	D14/487
D680,130 S *	4/2013	Khan et al. ....	D14/486
D681,056 S *	4/2013	Akana et al. ....	D14/496
D682,289 S *	5/2013	Dijulio et al. ....	D14/486
D682,291 S *	5/2013	Baek et al. ....	D14/486
D690,311 S *	9/2013	Waldman .....	D14/485
2007/0067738 A1	3/2007	Flynt et al.	
2011/0167369 A1	7/2011	van Os	
2012/0036435 A1	2/2012	Yang et al.	

FOREIGN PATENT DOCUMENTS

CN	3513646 D	3/2006
CN	3543434 D	7/2006
CN	3562517 D	9/2006
CN	300738882	1/2008
EM	000920087-0001	5/2007
EM	000771464-0002	8/2007
EM	001076921-0016	3/2009
EM	001704248-0001	6/2010
EM	001248926-0014	2/2011
EM	001230395-0004	3/2011
EM	001951625-0002	7/2011
EM	001951625-0005	11/2011
EM	001961954-0001	12/2011
EM	001328215-0001	6/2012
EM	001328215-0002	6/2012
EM	002065342-0037	7/2012
EM	001340004-0002	8/2012

OTHER PUBLICATIONS

Saytes.es, "Saytes: Tecnologia sumergible," (<http://www.saytes.es/product.sub.--info.php?products.sub.--id=494>), retrieved Feb. 18, 2009, 1 page.  
 Registered Trademark Serial No. 77303282, Apple Inc., first used Jun. 29, 2007.  
 Registered Trademark Serial No. 77218458, Apple Inc., first used Jun. 29, 2007.  
 Registered Trademark Serial No. 77303049, Apple Inc., first used Jan. 9, 2007.  
 Registered Trademark Serial No. 85040770, Apple Inc., filed May 17, 2010.  
 Registered Trademark Serial No. 85065521, Apple Inc., first used Jun. 29, 2007.  
 Registered Trademark Serial No. 85128276, Apple Inc., first used Sep. 1, 2010.  
 Registered Trademark Serial No. 85128460, Apple Inc., first used Sep. 1, 2010.  
 U.S. Appl. No. 29/281,695, filed Jun. 28, 2007 (not published).  
 U.S. Appl. No. 29/366,393, filed Jul. 23, 2010 (not published).  
 U.S. Appl. No. 29/405,794, filed Nov. 7, 2011 (not published).  
 U.S. Appl. No. 29/431,569, filed Sep. 9, 2012 (not published).  
 U.S. Appl. No. 29/432,492, filed Sep. 15, 2012 (not published).  
 U.S. Appl. No. 29/417,012, filed Mar. 29, 2012 (not published).  
 U.S. Appl. No. 29/417,307, filed Apr. 2, 2012 (not published).

\* cited by examiner

*Primary Examiner* — Barbara Fox  
 (74) *Attorney, Agent, or Firm* — Sterne, Kessler, Goldstein & Fox P.L.L.C.

(57) **CLAIM**

The ornamental design for an electronic device with graphical user interface, as shown and described.

**DESCRIPTION**

FIG. 1 is a bottom front perspective view of an electronic device with graphical user interface showing our new design; FIG. 2 is a bottom rear perspective view thereof; FIG. 3 is a top front perspective view thereof; FIG. 4 is a top rear perspective view thereof; FIG. 5 is a front view thereof; FIG. 6 is a rear view thereof; FIG. 7 is a top view thereof; FIG. 8 is a bottom view thereof; FIG. 9 is a left side view thereof; and, FIG. 10 is a right side view thereof.  
 The broken lines in the Figures show unclaimed portions of the electronic device with graphical user interface and form no part of the claimed design.

**1 Claim, 6 Drawing Sheets**



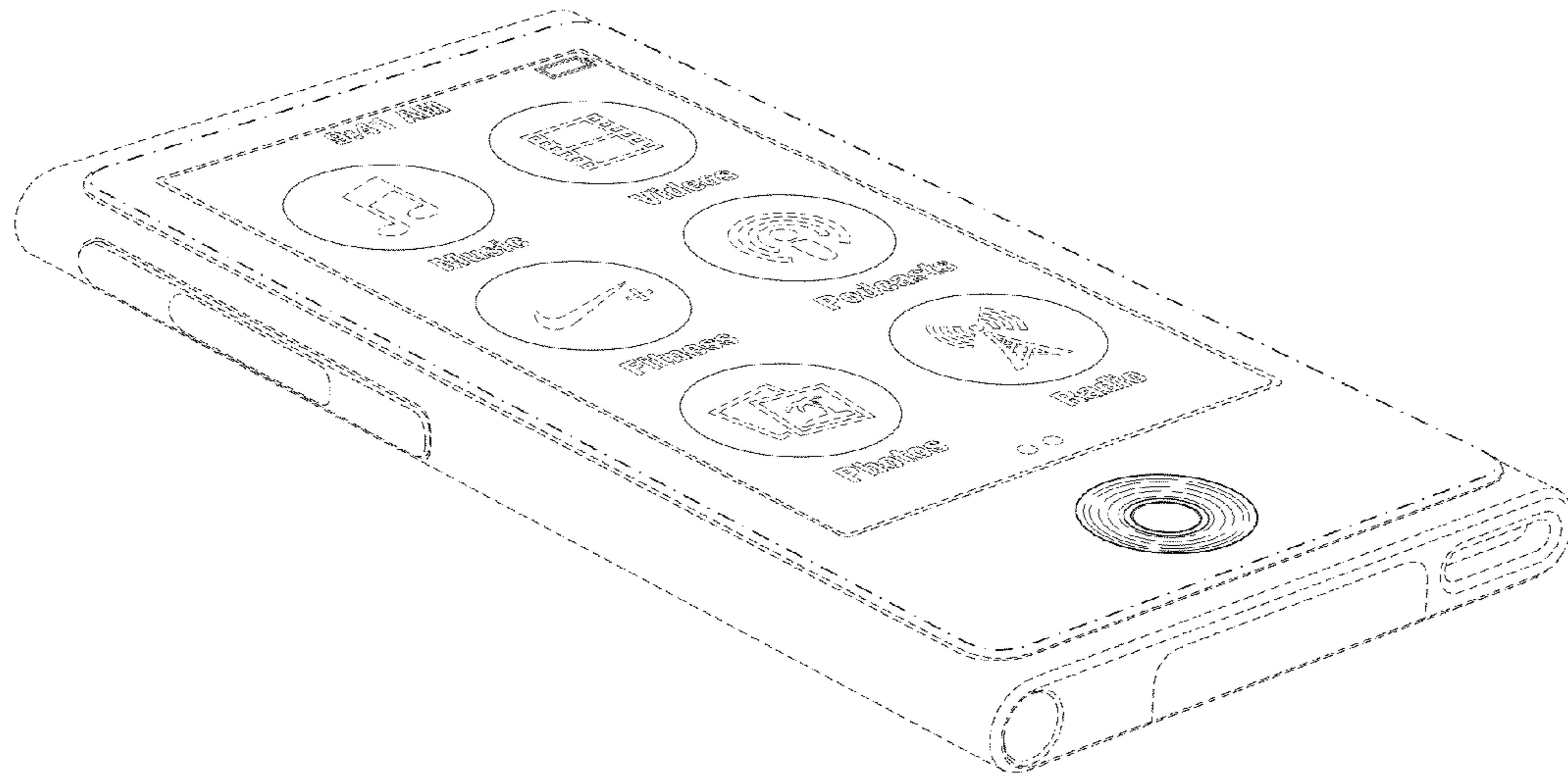


FIG. 1

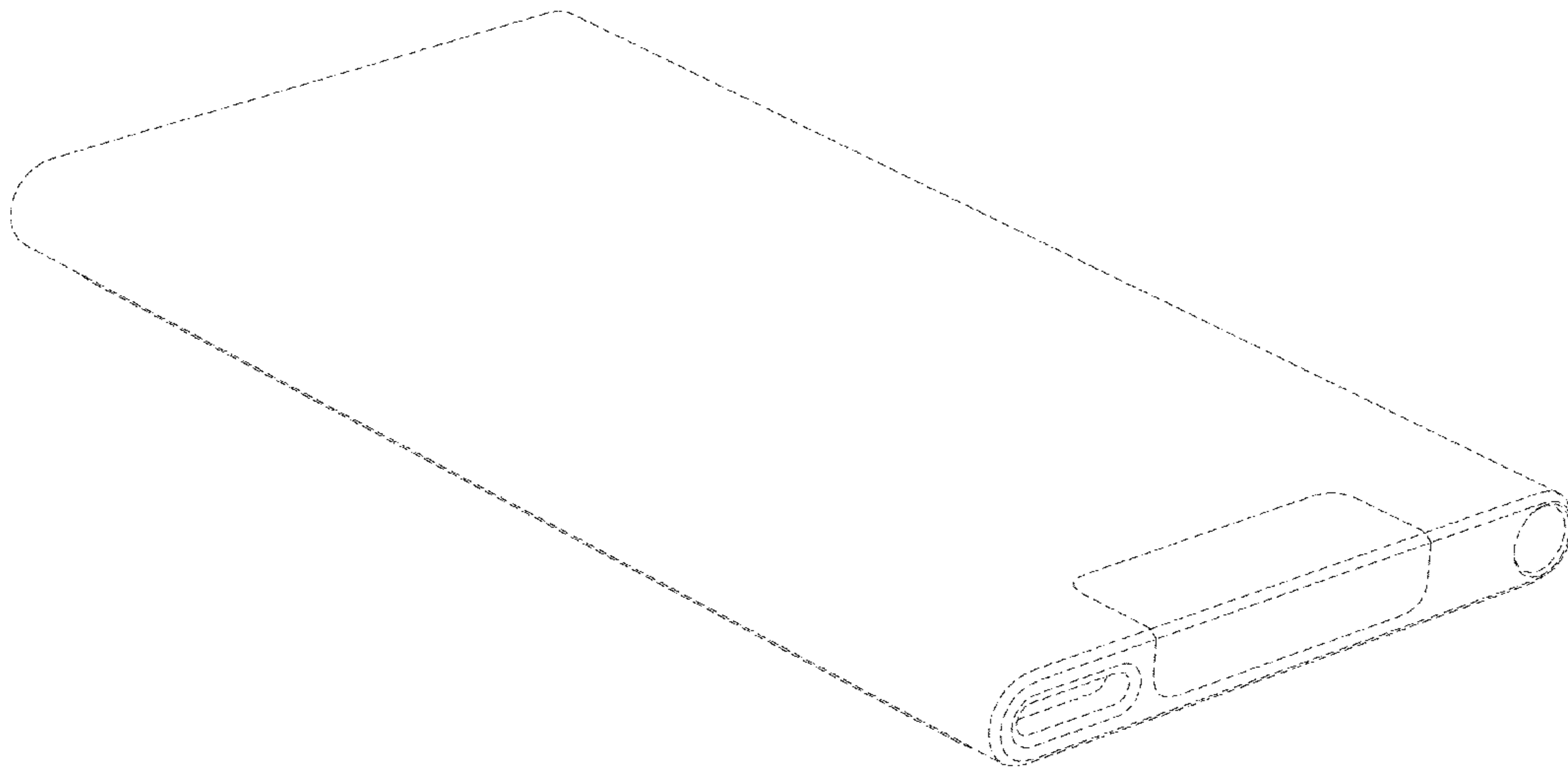


FIG. 2

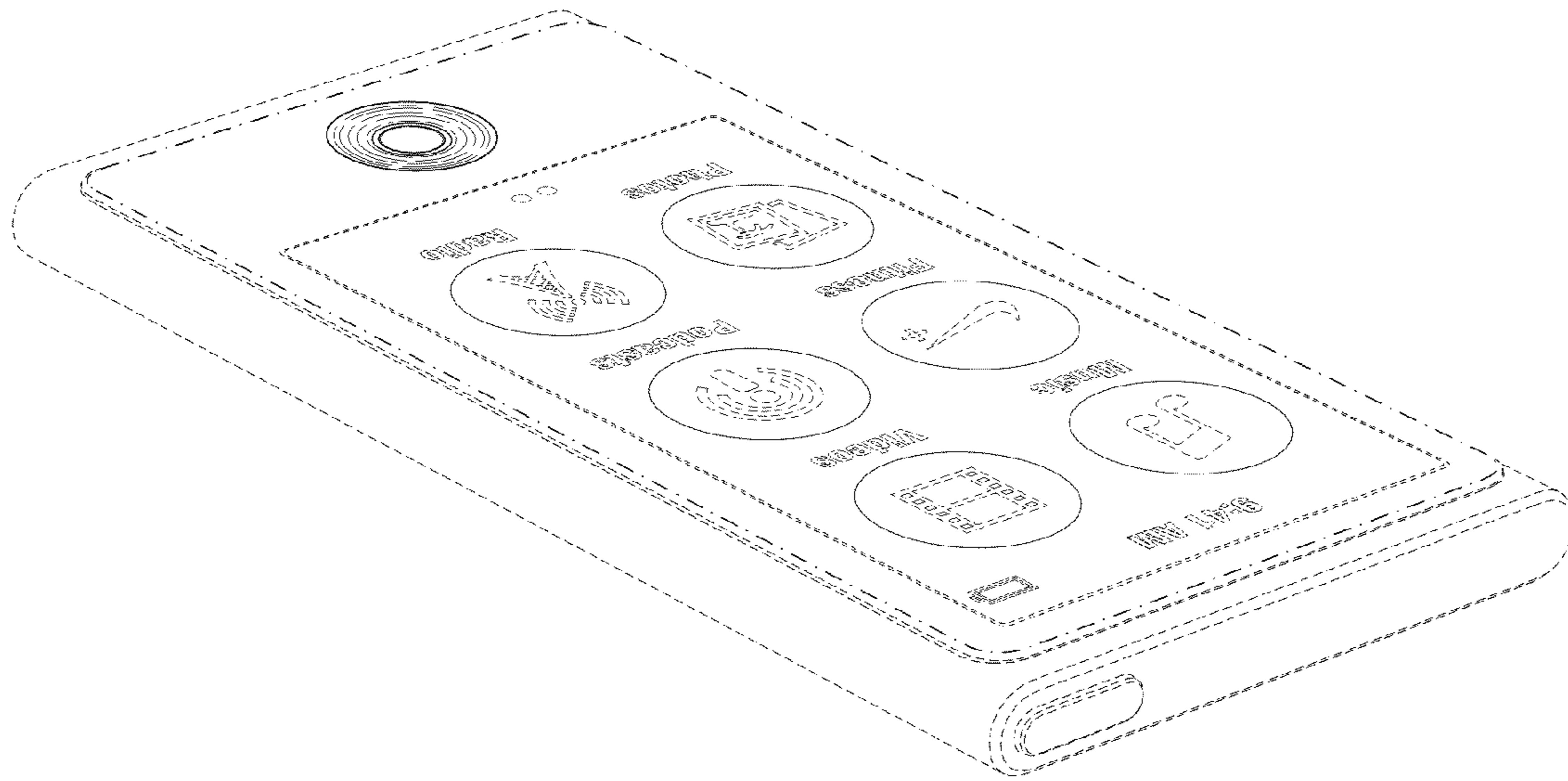


FIG. 3

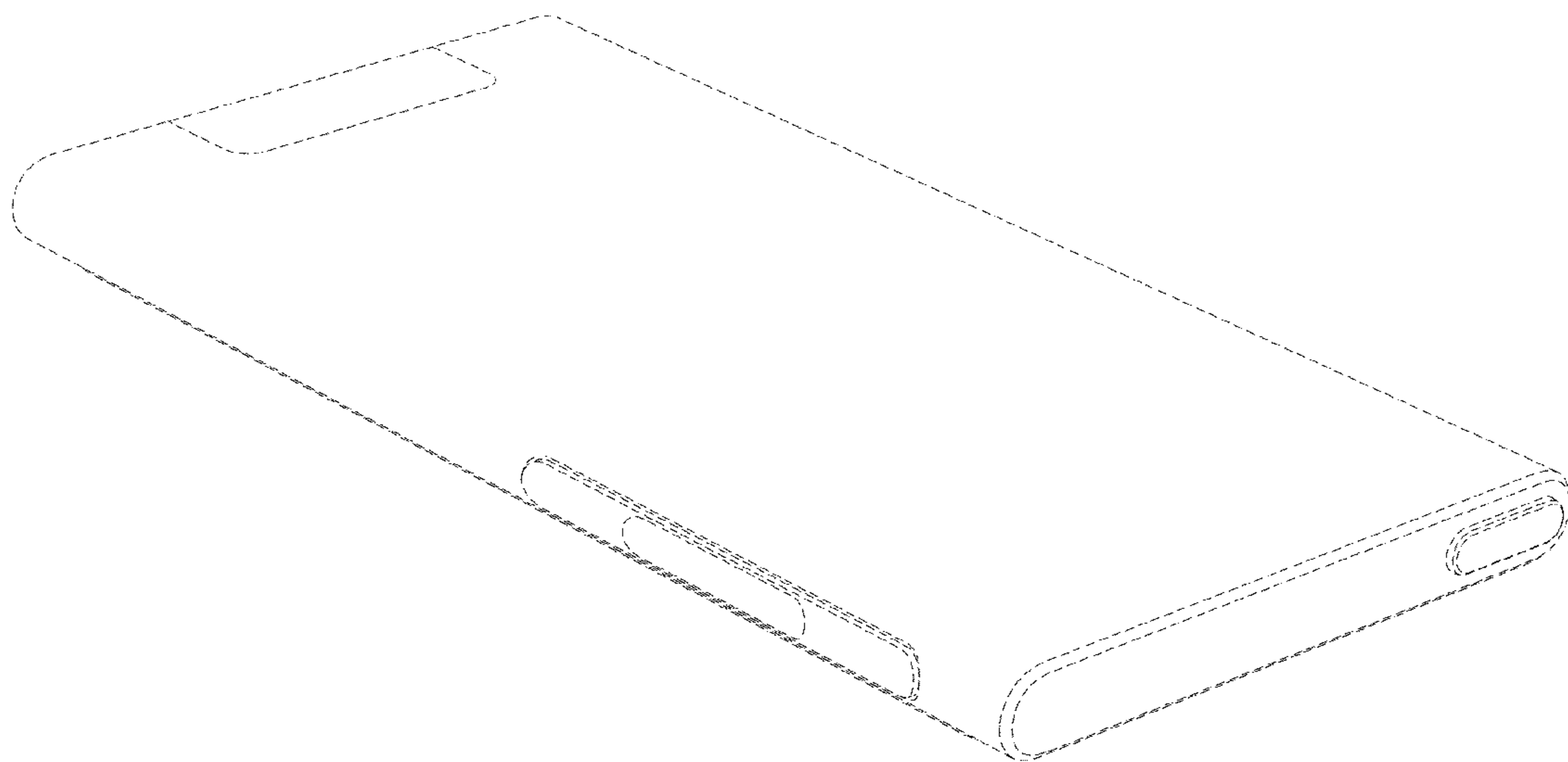


FIG. 4

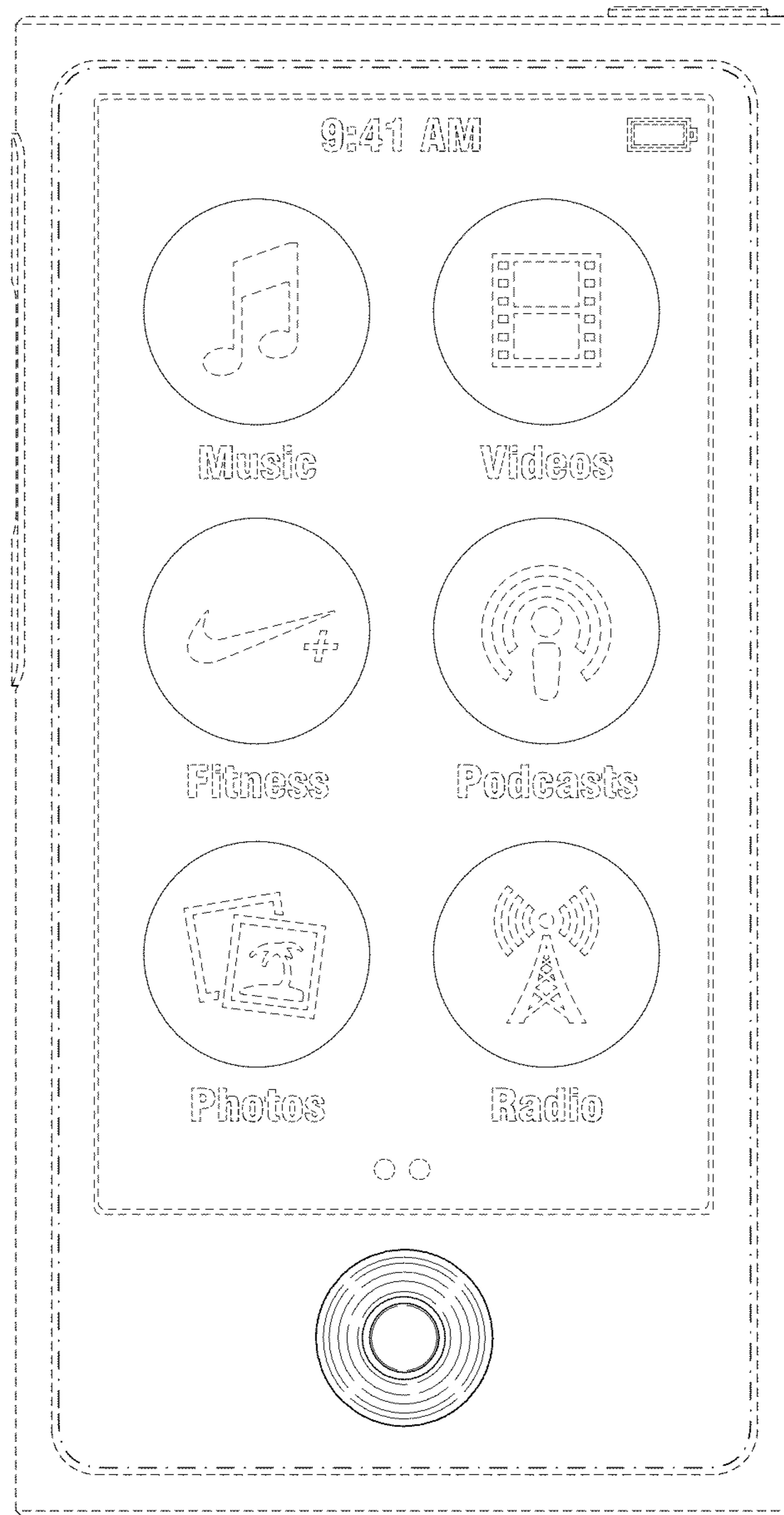
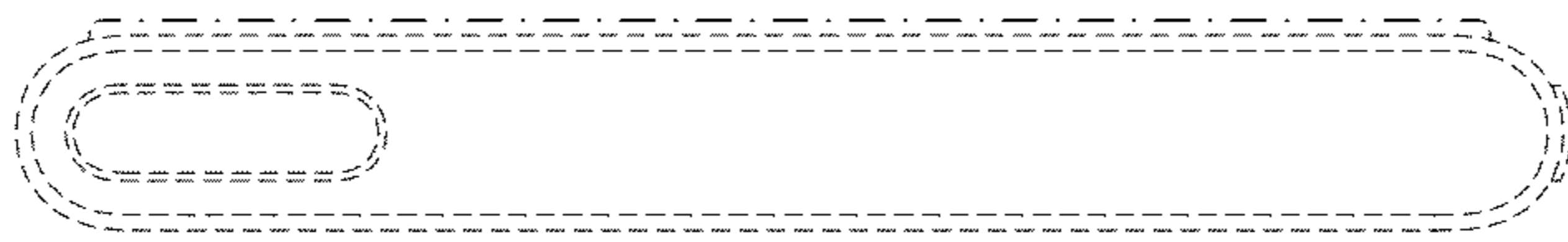


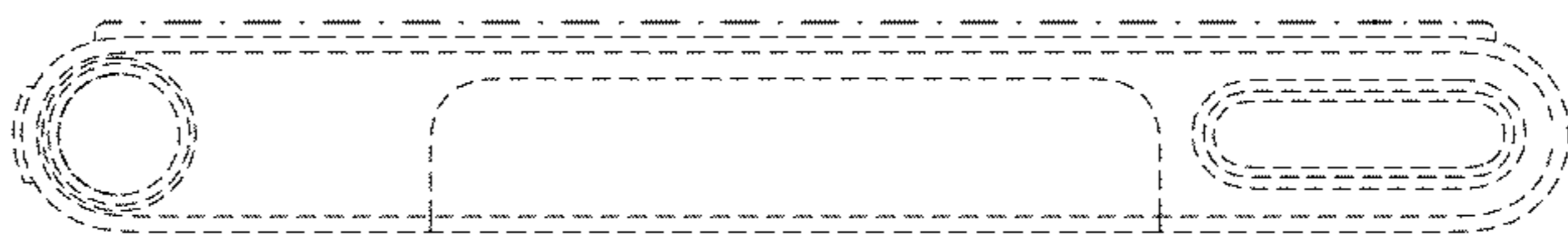
FIG. 5



**FIG. 6**



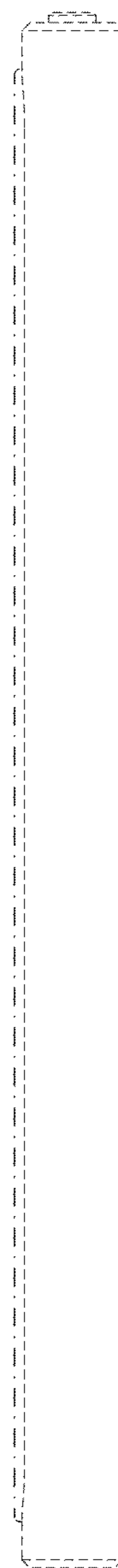
**FIG. 7**



**FIG. 8**



**FIG. 9**



**FIG. 10**