



US00D706295S

(12) **United States Design Patent**
Daniel

(10) **Patent No.:** **US D706,295 S**
(45) **Date of Patent:** **** Jun. 3, 2014**

- (54) **COMPUTER SCREEN WITH ICON**
- (71) Applicant: **Isaac S. Daniel**, Miramar, FL (US)
- (72) Inventor: **Isaac S. Daniel**, Miramar, FL (US)
- (**) Term: **14 Years**
- (21) Appl. No.: **29/447,611**
- (22) Filed: **Mar. 5, 2013**

Related U.S. Application Data

- (63) Continuation-in-part of application No. 29/402,350, filed on Sep. 22, 2011, now Pat. No. Des. 687,060, and a continuation-in-part of application No. 29/427,716, filed on Jul. 20, 2012, and a continuation-in-part of application No. 29/428,651, filed on Aug. 1, 2012, and a continuation-in-part of application No. 29/428,652, filed on Aug. 1, 2012, now Pat. No. Des. 694,261.
- (51) **LOC (10) Cl.** **14-04**
- (52) **U.S. Cl.**
USPC **D14/489**
- (58) **Field of Classification Search**
USPC D14/485-498; D12/175, 176; 715/763, 715/837, 771, 797, 848, 748, 205; 709/217, 709/218
See application file for complete search history.

References Cited

U.S. PATENT DOCUMENTS

D277,114 S *	1/1985	Gordon	D20/11
D390,548 S *	2/1998	Maekawa et al.	D14/488
D438,699 S *	3/2001	Campman	D3/215
D452,692 S *	1/2002	Fukuda	D14/489
D497,617 S *	10/2004	Decombe et al.	D14/486
6,857,106 B1 *	2/2005	Brouaux	715/837
D506,474 S *	6/2005	Gildred	D14/486
D547,767 S *	7/2007	Jewitt	D14/492

D550,700 S *	9/2007	Griffith	D14/492
D572,720 S *	7/2008	Fletcher	D14/492
D588,154 S *	3/2009	Bouchard et al.	D14/489
D589,792 S *	4/2009	Clabough et al.	D9/434
D593,571 S *	6/2009	Ball et al.	D14/485
D599,378 S *	9/2009	Mays	D14/492
D606,552 S *	12/2009	Kocmick	D14/492
D613,750 S *	4/2010	Truelove et al.	D14/492
D626,137 S *	10/2010	McLaughlin et al.	D14/486
D627,791 S *	11/2010	Lamb et al.	D14/489
D628,595 S *	12/2010	Danhope-Smith	D14/493
D629,814 S *	12/2010	Lew	D14/492
D640,327 S *	6/2011	Gorzo	D20/22
D642,195 S *	7/2011	Marks et al.	D14/490
D642,196 S *	7/2011	Fong et al.	D14/492
D647,103 S *	10/2011	Barcheck et al.	D14/489
D649,159 S *	11/2011	Viggers et al.	D14/492
D650,799 S *	12/2011	Wantland et al.	D14/493
D659,708 S *	5/2012	Amos	D14/489
D660,090 S *	5/2012	Lane et al.	D7/624.1
D661,585 S *	6/2012	Anderson et al.	D9/457
D662,418 S *	6/2012	Anderson et al.	D9/457
D667,435 S *	9/2012	Majeti et al.	D14/492
D674,994 S *	1/2013	Danner	D2/891
D677,194 S *	3/2013	Marovic et al.	D11/95

(Continued)

Primary Examiner — Kevin Rudzinski

(74) *Attorney, Agent, or Firm* — Carol N. Green, Esq.

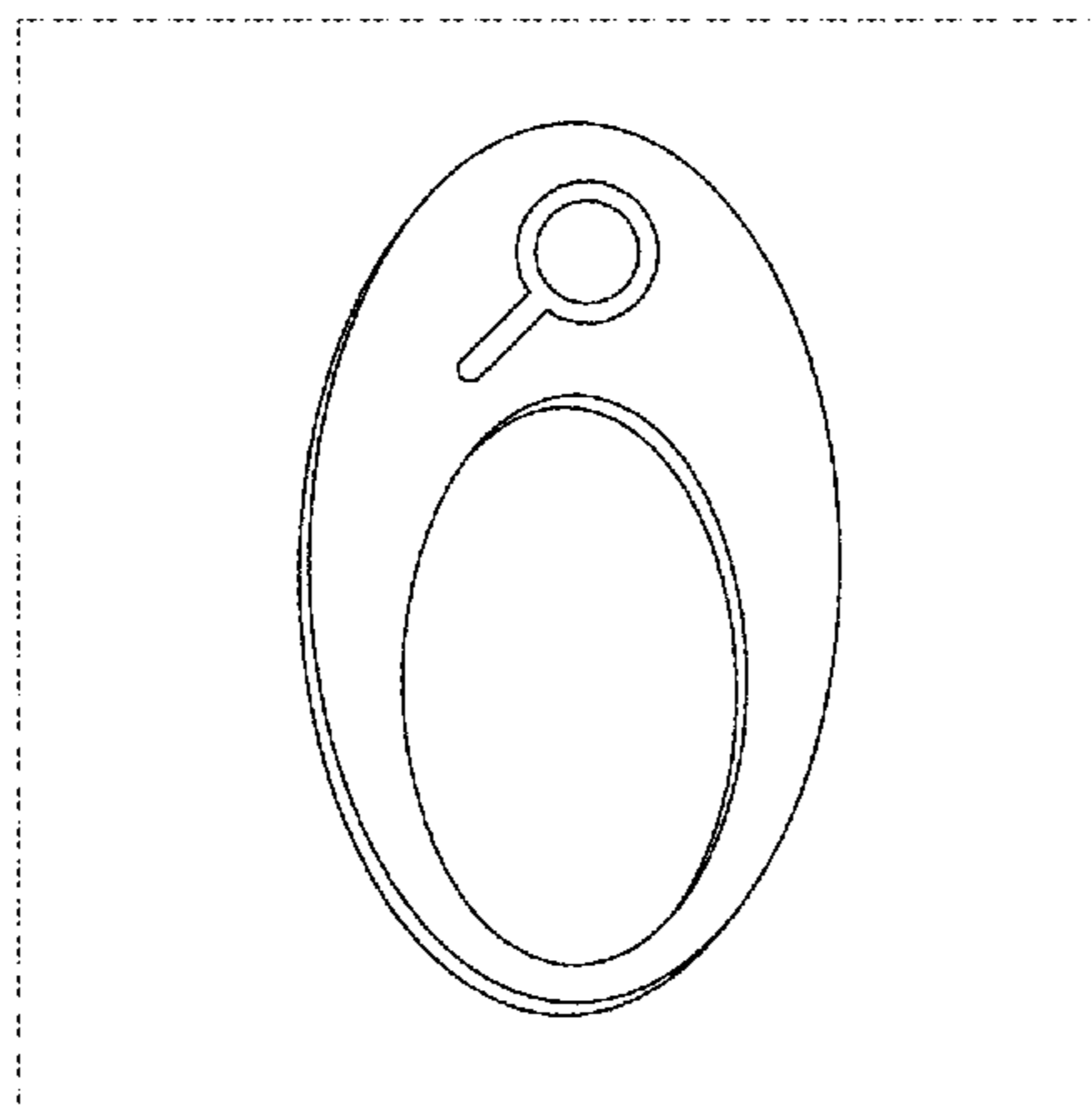
(57) **CLAIM**

The ornamental design for a computer screen with icon, as shown and described.

DESCRIPTION

FIG. 1 is a front view of the computer screen with icon.
FIG. 2 is a perspective view of the computer screen with icon;
and,
FIG. 3 is a second perspective view of the computer screen with icon.
The broken lines showing the computer screen in the drawings form no part of the claimed design.

1 Claim, 2 Drawing Sheets



US D706,295 S

Page 2

(56)

References Cited

U.S. PATENT DOCUMENTS

D682,042 S *	5/2013	Sanders	D7/619.2	
D682,297 S *	5/2013	DiJulio et al.	D14/487	* cited by examiner
D682,298 S *	5/2013	DiJulio et al.	D14/487	
D683,358 S *	5/2013	Garn et al.	D14/489	
2006/0143963 A1 *	7/2006	Nowakowski	40/673	

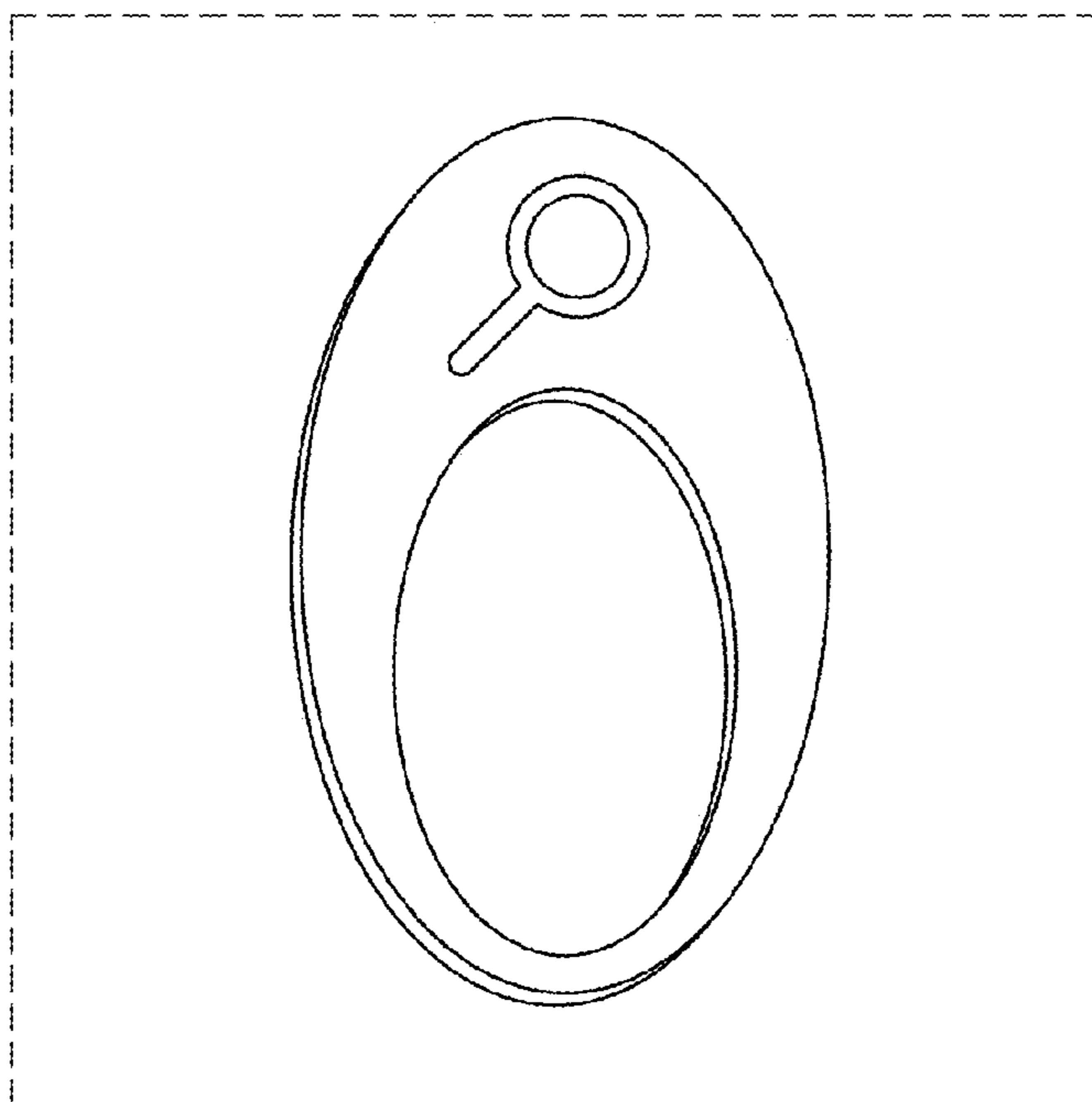


FIG. 1

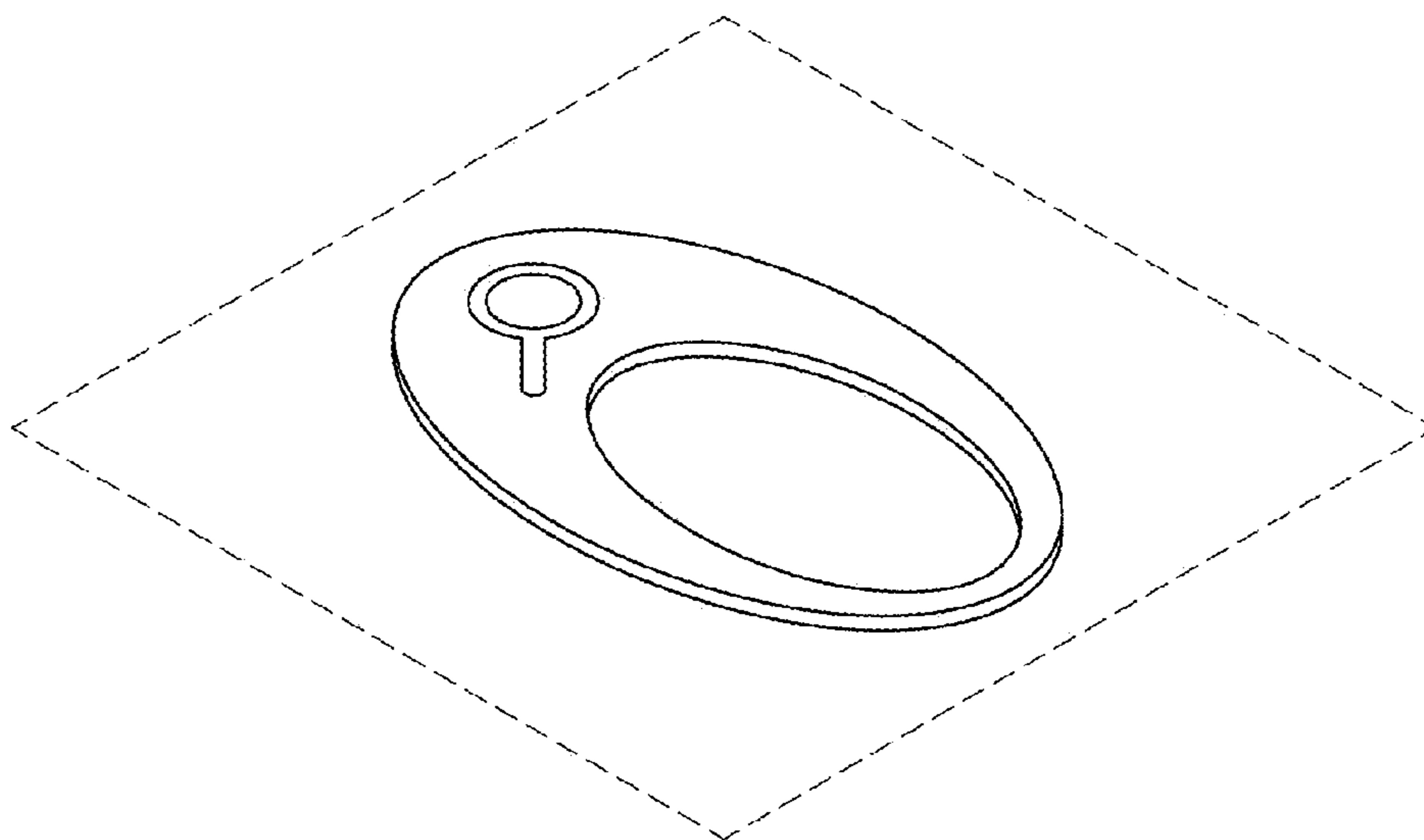


FIG. 2

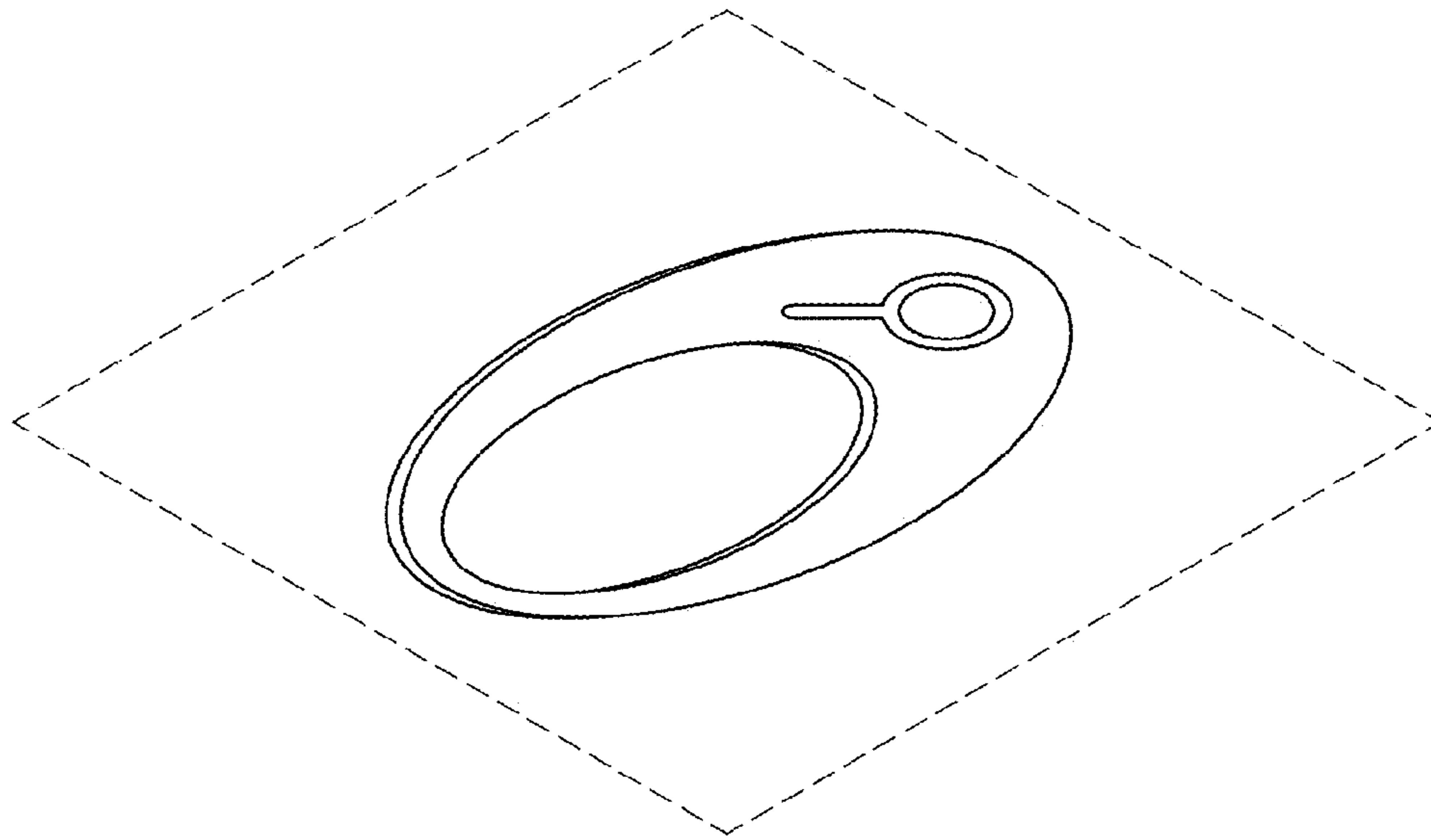


FIG. 3