



US00D706279S

(12) **United States Design Patent**
Lin et al.

(10) **Patent No.:** **US D706,279 S**
(45) **Date of Patent:** **** Jun. 3, 2014**

(54) **DATA ACCESSING DEVICE**
(71) Applicant: **Kingston Digital, Inc.**, Fountain Valley,
CA (US)
(72) Inventors: **Feng-Sheng Lin**, Hsinchu (TW);
Hsi-Ming Tsai, Hsinchu (TW); **Peter**
Leekuo Chou, Fountain Valley, CA (US)
(73) Assignee: **Kingston Digital, Inc.**, Fountain Valley,
CA (US)
(**) Term: **14 Years**

(21) Appl. No.: **29/448,061**
(22) Filed: **Mar. 8, 2013**
(51) **LOC (10) Cl.** **14-02**
(52) **U.S. Cl.**
USPC **D14/480.7**
(58) **Field of Classification Search**
CPC . H05K 5/0278; H01R 24/62; G06K 19/07732
USPC D14/411, 433, 435.1, 436, 480.1–480.7,
D14/484.1, 137, 155, 203.1–203.8, 240;
D13/133, 154; 710/300–301; 439/131,
439/135–147
See application file for complete search history.

(56) **References Cited**
U.S. PATENT DOCUMENTS
D121,272 S * 7/1940 Cubert D14/155
D511,770 S * 11/2005 Chung D14/480.5
D535,972 S * 1/2007 Griffin D14/155
D556,762 S * 12/2007 Hsiau D14/480.5
D619,999 S * 7/2010 Wu et al. D14/240

7,896,664 B1 * 3/2011 Chou et al. 439/131
D637,587 S * 5/2011 Pan D14/242
8,308,494 B1 * 11/2012 Zhao 439/131
8,469,729 B2 * 6/2013 Ding 439/131
2013/0183841 A1 * 7/2013 Stevens et al. 439/131

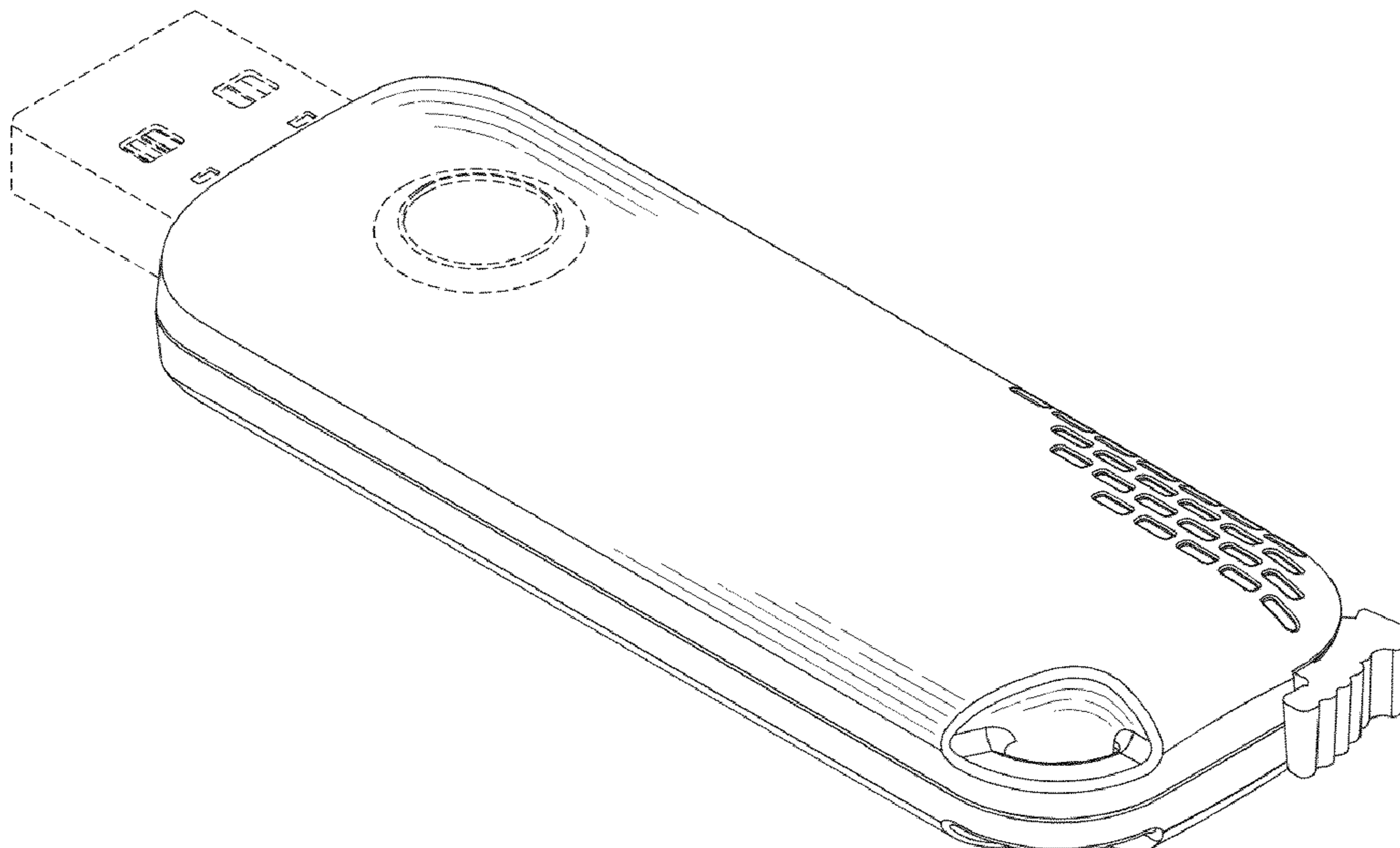
* cited by examiner
Primary Examiner — Karen E Kearney
(74) *Attorney, Agent, or Firm* — Skaar Ulbrich Macari, P.A.

(57) **CLAIM**
The ornamental design for a data accessing device, as shown
and described.

DESCRIPTION

FIG. 1 is a perspective view of a data accessing device show-
ing the claimed design;
FIG. 2 is a front elevational view of FIG. 1;
FIG. 3 is a rear elevational view of FIG. 1;
FIG. 4 is a left side elevational view of FIG. 1;
FIG. 5 is a right side elevational view of FIG. 1;
FIG. 6 is a top plan view of FIG. 1;
FIG. 7 is a bottom plan view of FIG. 1;
FIG. 8 is another perspective view of FIG. 1 showing that the
data accessing device is in an extended position;
FIG. 9 is a front elevational view of FIG. 8;
FIG. 10 is a rear elevational view of FIG. 8;
FIG. 11 is a left side elevational view of FIG. 8;
FIG. 12 is a right side elevational view of FIG. 8;
FIG. 13 is a top plan view of FIG. 8; and,
FIG. 14 is a bottom plan view of FIG. 8.
The broken line showings of the connector and surface orna-
mentation are for the purpose of illustrating portions of the
data accessing device and form no part of the claimed design.

1 Claim, 8 Drawing Sheets



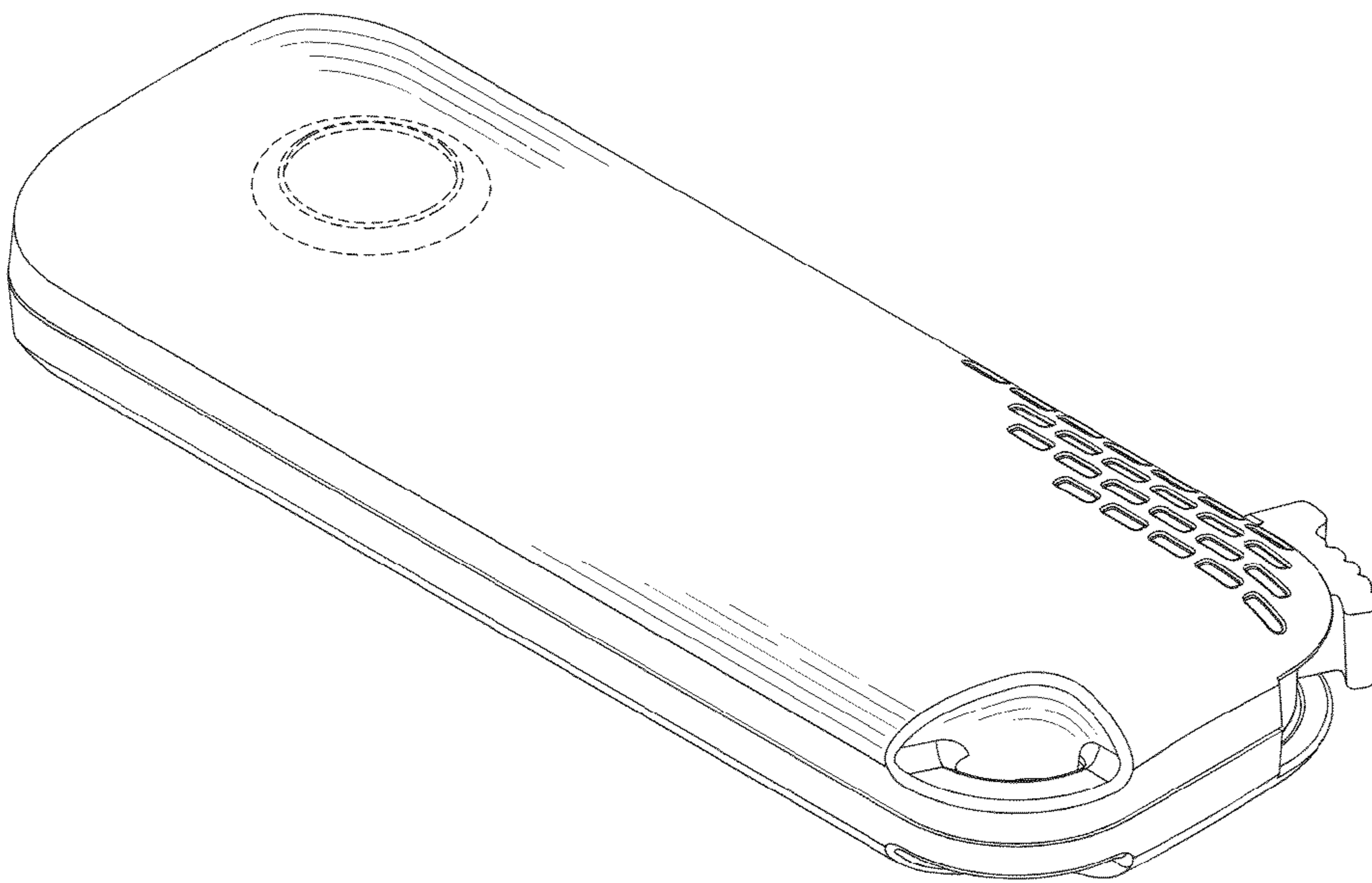


FIG.1

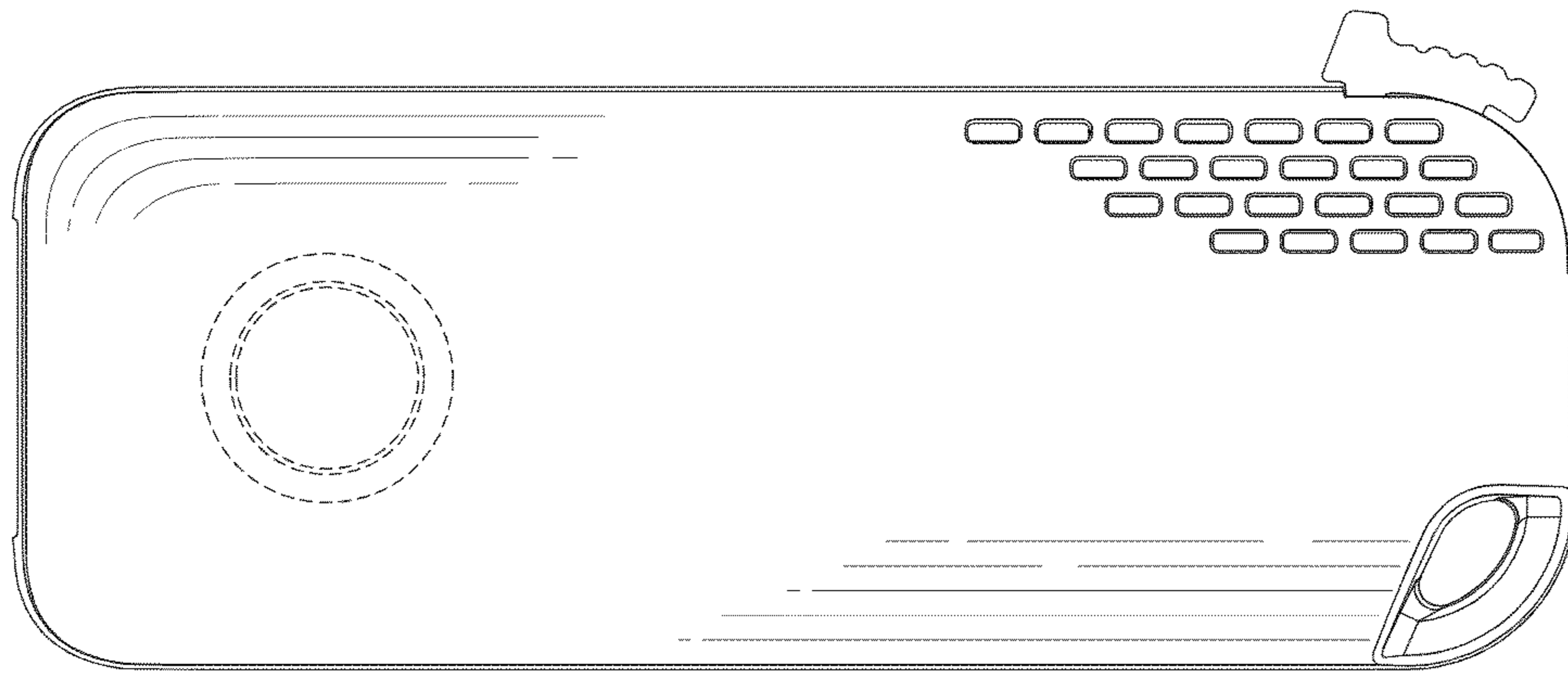


FIG. 2



FIG. 3

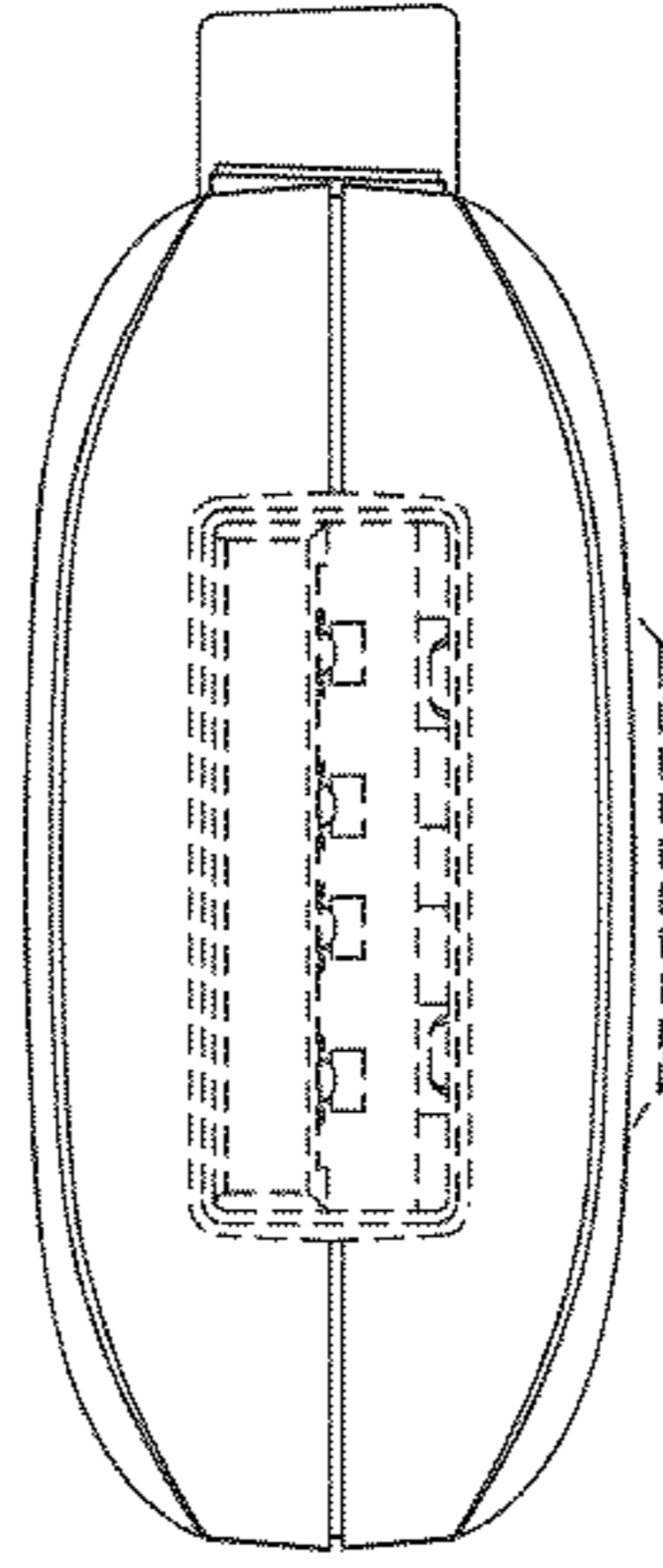


FIG. 4

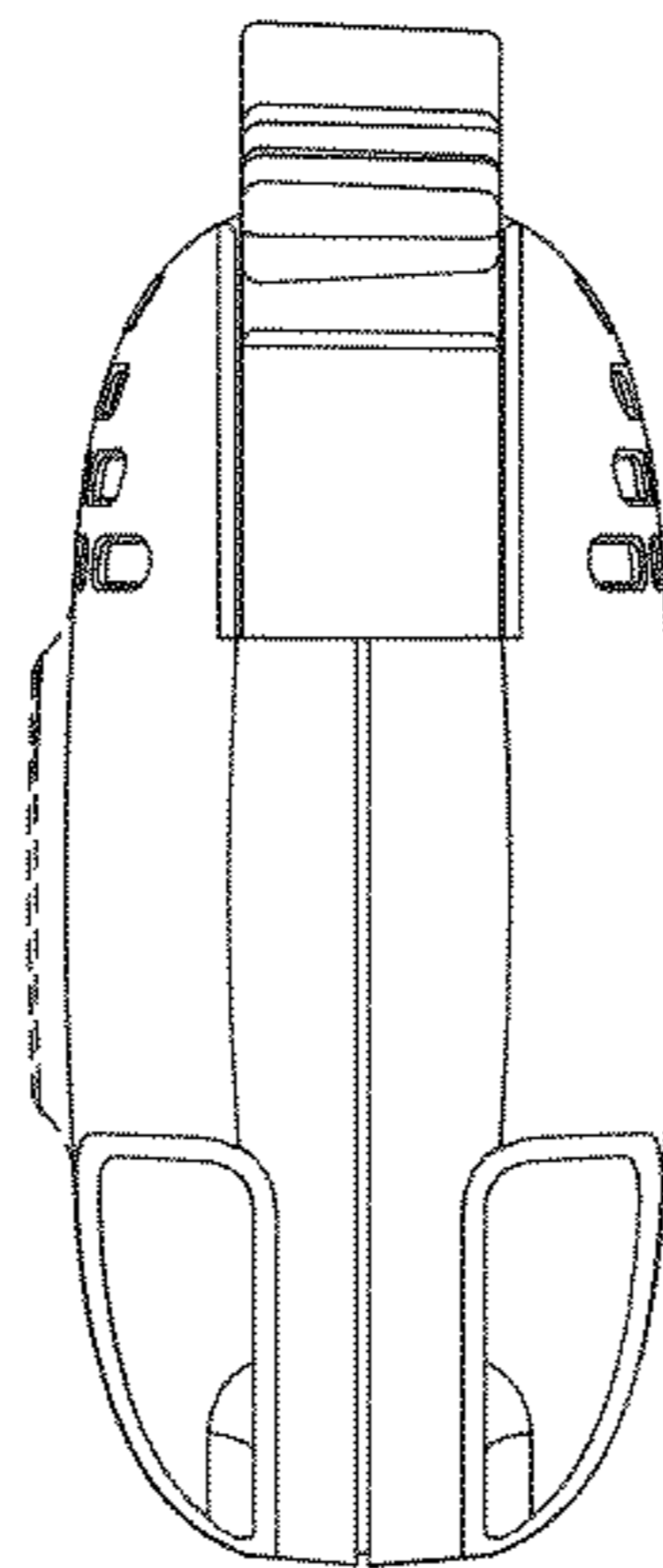


FIG. 5

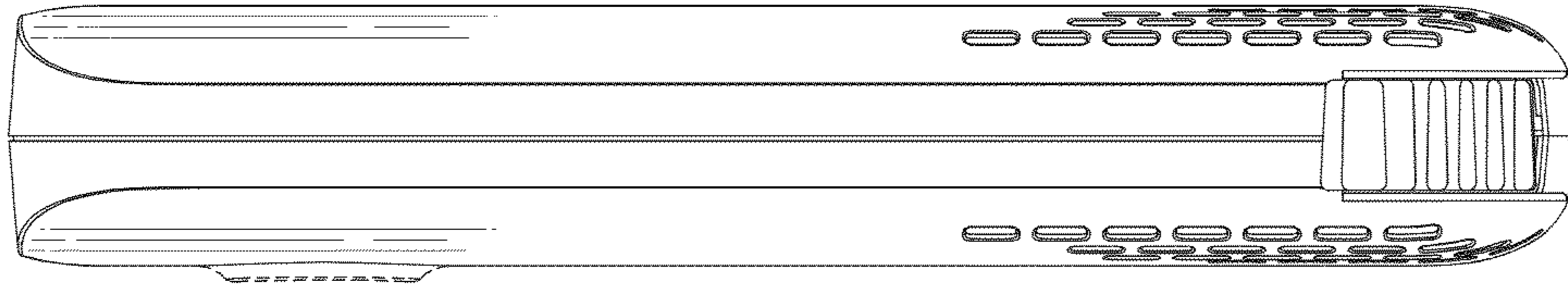


FIG. 6

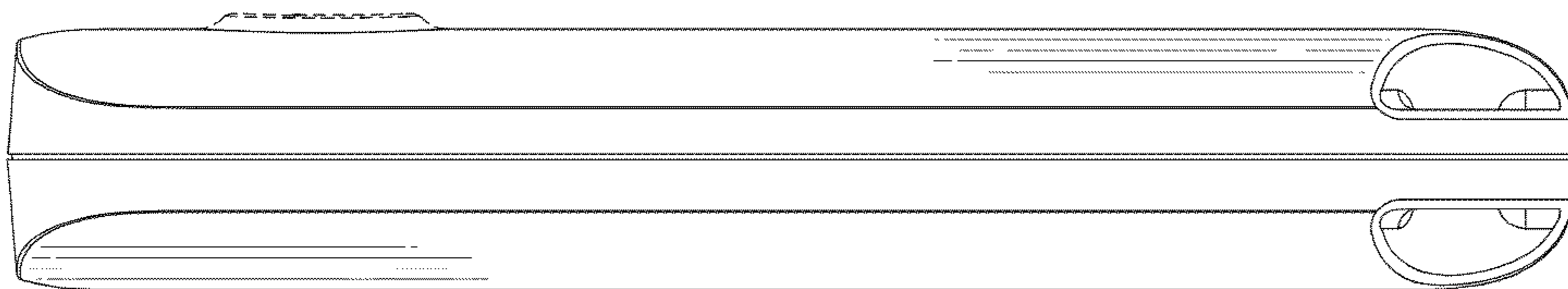


FIG. 7

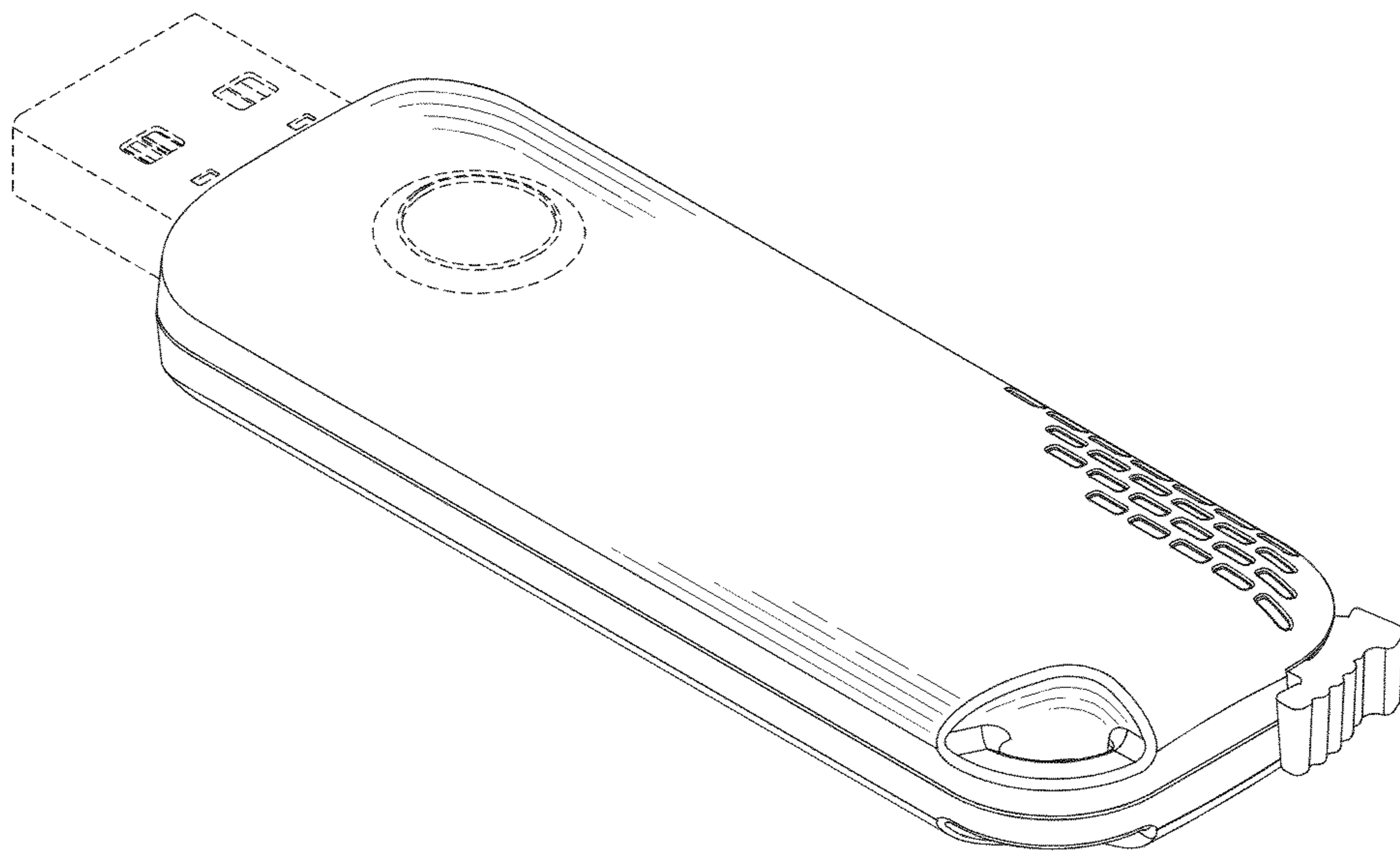


FIG.8

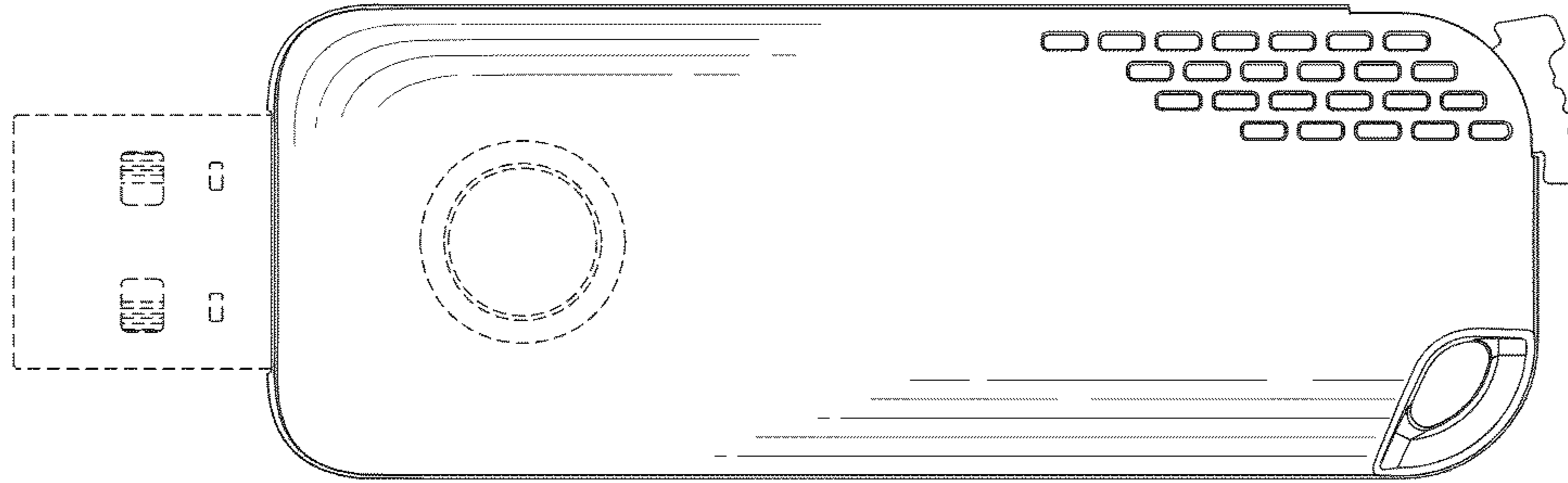


FIG. 9

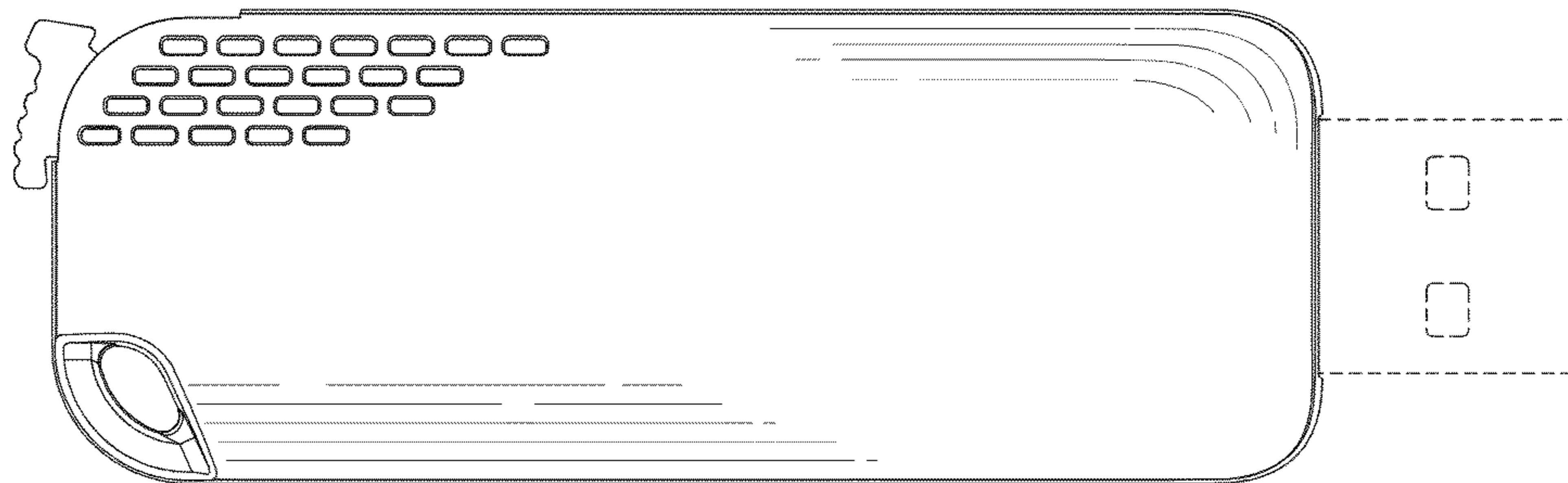


FIG. 10

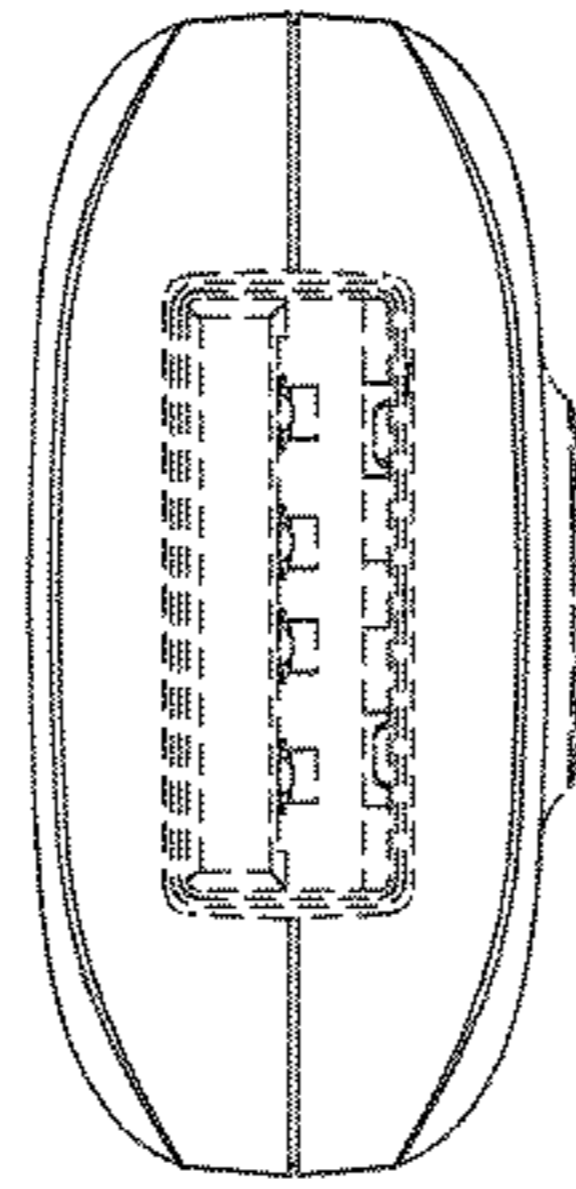


FIG. 11

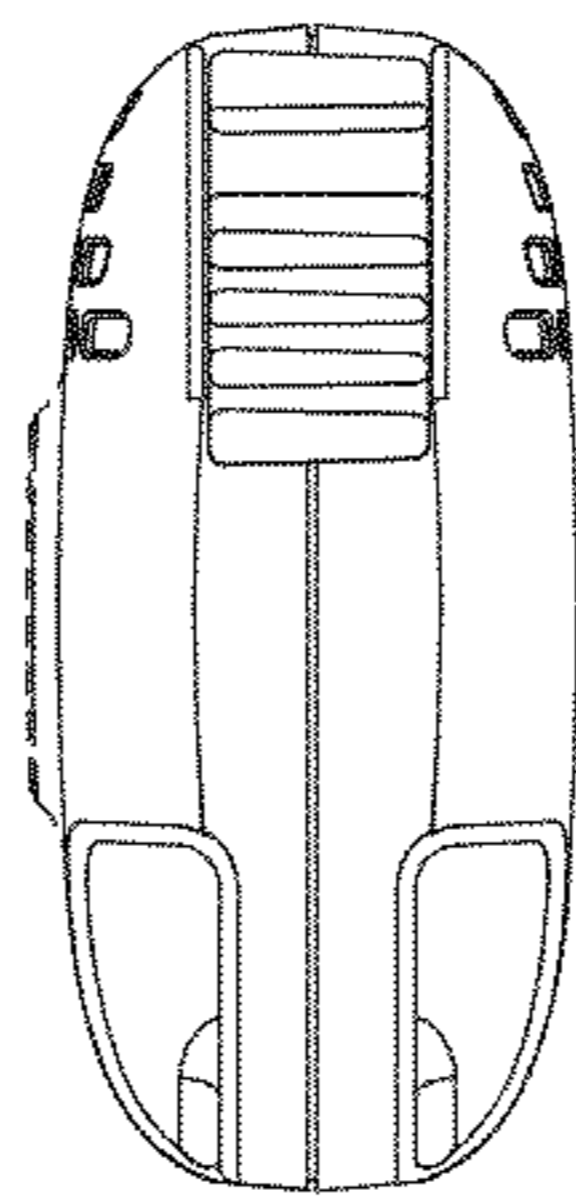


FIG. 12

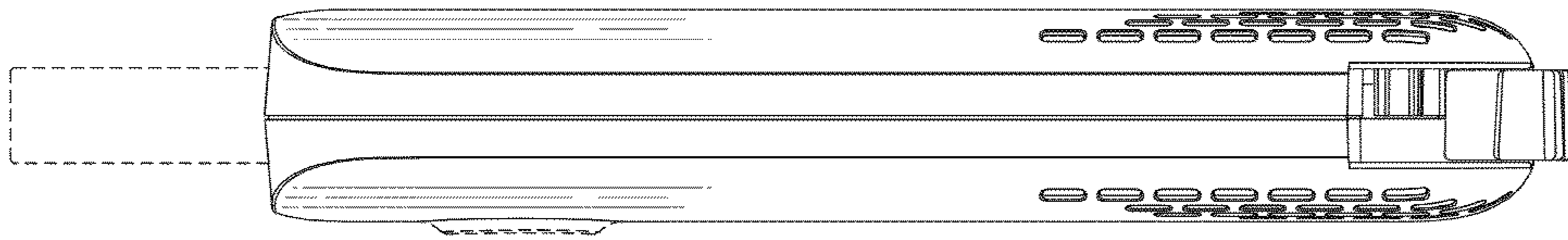


FIG. 13

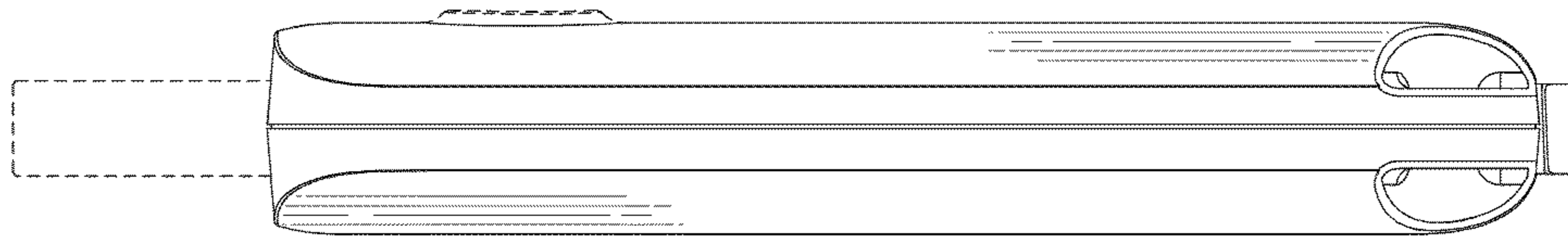


FIG. 14