



US00D706277S

(12) **United States Design Patent**  
**Fukuoka**

(10) **Patent No.:** **US D706,277 S**  
(45) **Date of Patent:** **\*\* Jun. 3, 2014**

- (54) **RECORDING MEDIUM**
- (71) Applicant: **Kabushiki Kaisha Toshiba**, Tokyo (JP)
- (72) Inventor: **Yasushi Fukuoka**, Tokyo (JP)
- (73) Assignee: **Kabushiki Kaisha Toshiba**, Minato-Ku, Tokyo (JP)
- (\*\*) Term: **14 Years**
- (21) Appl. No.: **29/448,220**
- (22) Filed: **Mar. 11, 2013**

- (30) **Foreign Application Priority Data**  
Nov. 27, 2012 (JP) ..... 2012-028870
- (51) **LOC (10) Cl.** ..... **14-02**
- (52) **U.S. Cl.**  
USPC ..... **D14/480.1**
- (58) **Field of Classification Search**  
CPC . H05K 5/0278; H01R 24/62; G06K 19/07732  
USPC ..... D14/411, 433, 435.1, 436, 480.1–480.7,  
D14/484.1, 137, 155, 203.1–203.8, 240;  
D13/133, 154; 710/300–301; 439/131,  
439/135–147  
See application file for complete search history.

- (56) **References Cited**  
U.S. PATENT DOCUMENTS  
D513,005 S \* 12/2005 Kobayakawa ..... D14/480.1  
D518,483 S \* 4/2006 Yu et al. .... D14/436  
D554,119 S \* 10/2007 Otsuka et al. .... D14/480.5  
D583,374 S 12/2008 Otsuka  
7,466,556 B2 \* 12/2008 Hiew et al. .... 361/737  
D631,053 S \* 1/2011 Bailey ..... D14/480.1  
D647,097 S \* 10/2011 Tung et al. .... D14/480.1  
D647,099 S \* 10/2011 Boucard ..... D14/480.7  
D655,709 S 3/2012 Huang

D656,139	S	3/2012	Schlossstein	
D656,140	S *	3/2012	Schlossstein	D14/480.1
D658,665	S *	5/2012	Akana et al.	D14/480.1
D662,941	S	7/2012	Emami	
D680,123	S *	4/2013	Benois	D14/480.5
2008/0059680	A1 *	3/2008	Hiew et al.	710/301
2010/0046156	A1 *	2/2010	Wei	361/679.32
2013/0182386	A1 *	7/2013	Emami	361/679.32

**FOREIGN PATENT DOCUMENTS**

CN	201130076495.3	11/2011
CN	201130342376.8	3/2012

(Continued)

**OTHER PUBLICATIONS**

A-Data Technology: FP1, [online], [retrieved on Jul. 3, 2007]. Retrieved from the Internet <URL: [http://www.adata.com.tw/adata\\_en/products\\_search.php](http://www.adata.com.tw/adata_en/products_search.php)>.\*

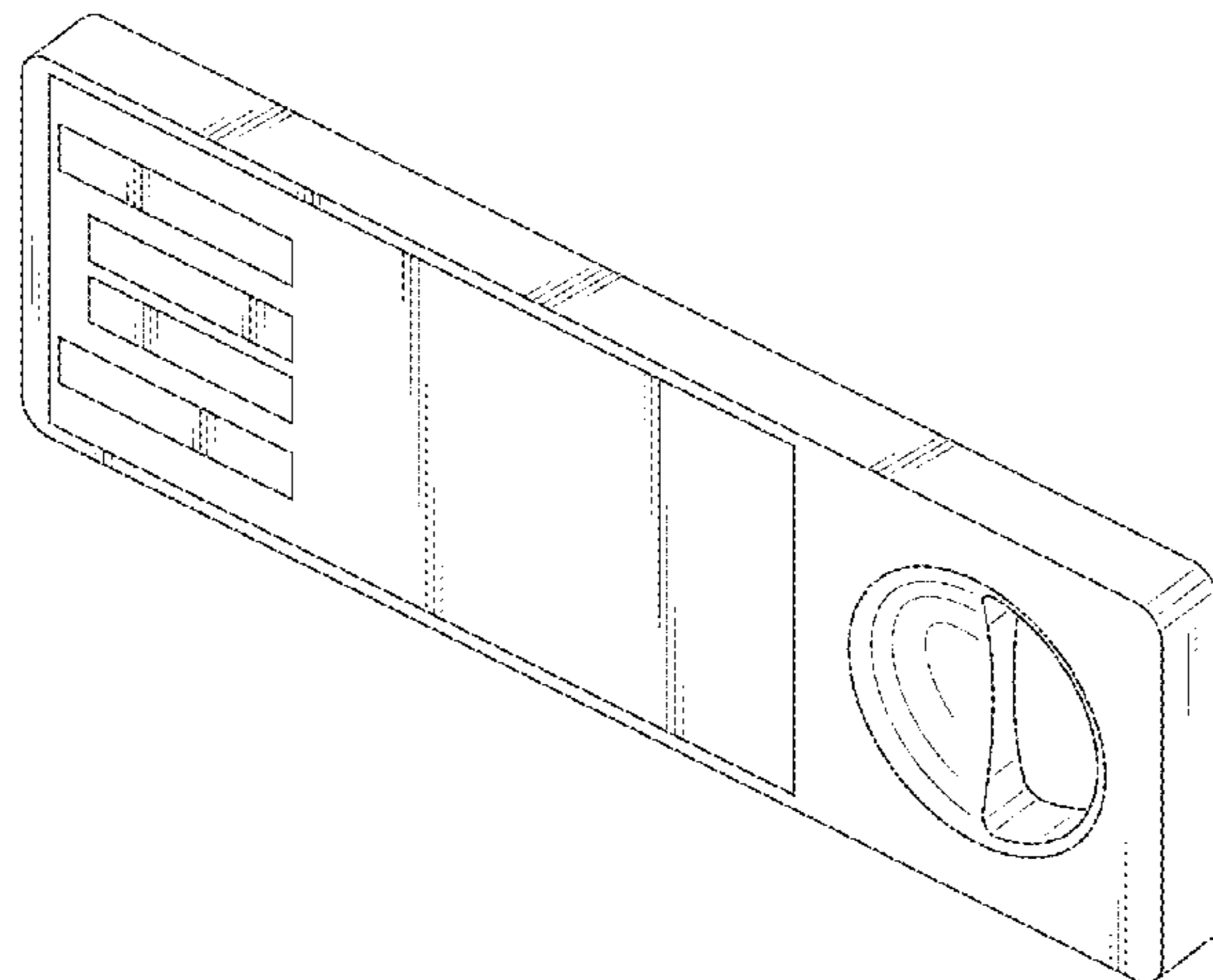
*Primary Examiner* — Karen E Kearney  
(74) *Attorney, Agent, or Firm* — Banner & Witcoff, Ltd

(57) **CLAIM**  
The ornamental design for a recording medium, as shown and described.

**DESCRIPTION**

FIG. 1 is a front perspective view of a recording medium, showing my new design;  
FIG. 2 is a rear perspective view thereof;  
FIG. 3 is a front elevational view thereof;  
FIG. 4 is a rear elevational view thereof;  
FIG. 5 is a top plan view thereof, the bottom being identical;  
FIG. 6 is a left side elevational view thereof, the right side being identical; and,  
FIG. 7 is a cross sectional view thereof, taken along the line 7-7 in FIG. 4.  
The broken lines shown in FIG. 7 are for environmental purposes only and form no part of the claimed design.

**1 Claim, 3 Drawing Sheets**



(56)	<b>References Cited</b>			
	FOREIGN PATENT DOCUMENTS			
		JP	1426005	10/2011
		JP	1425503	11/2011
		KR	30-0463516	9/2007
		KR	30-0495911	6/2008
CN	201130501121.1			7/2012
CN	201230032844.6			7/2012
				* cited by examiner

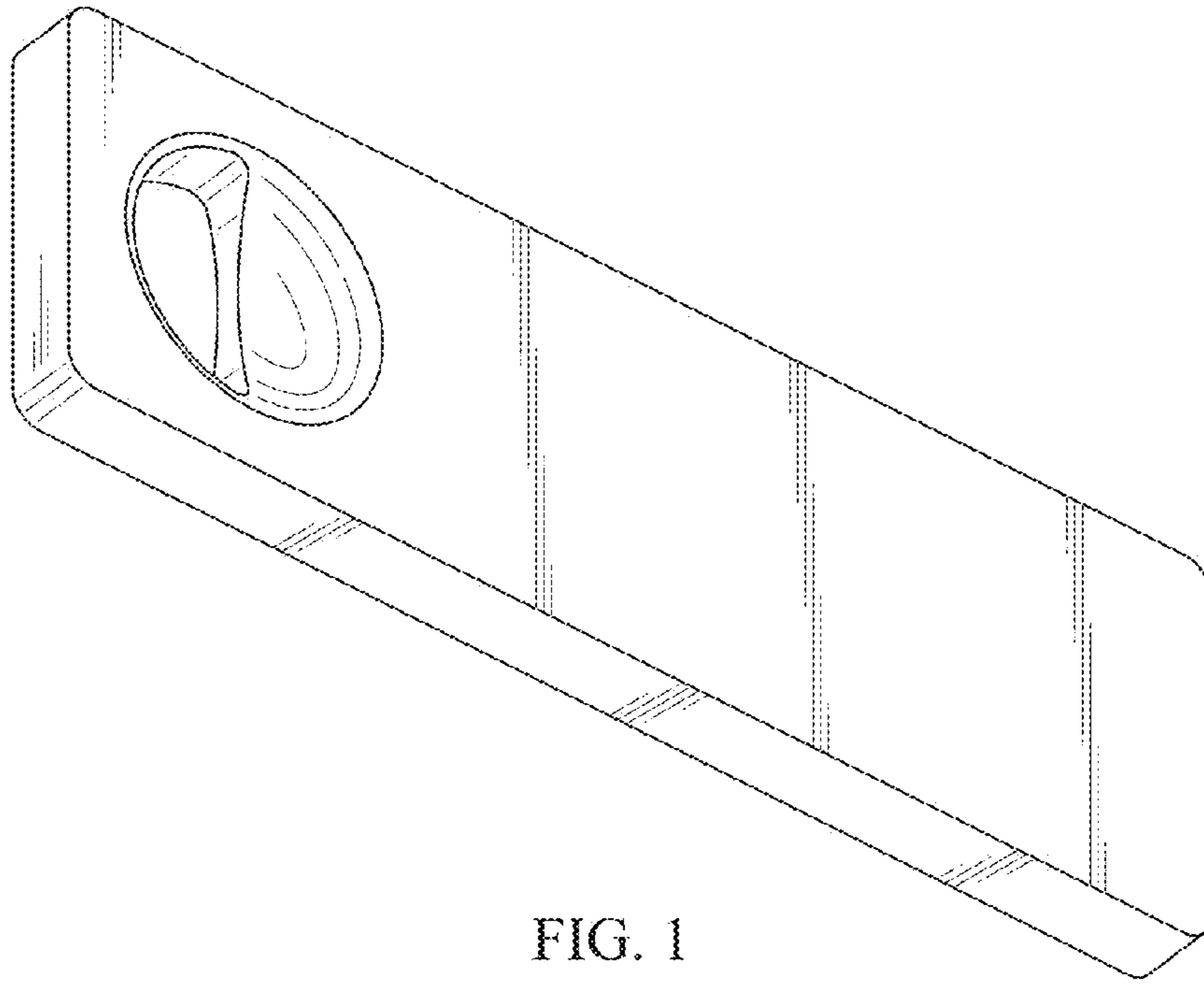


FIG. 1

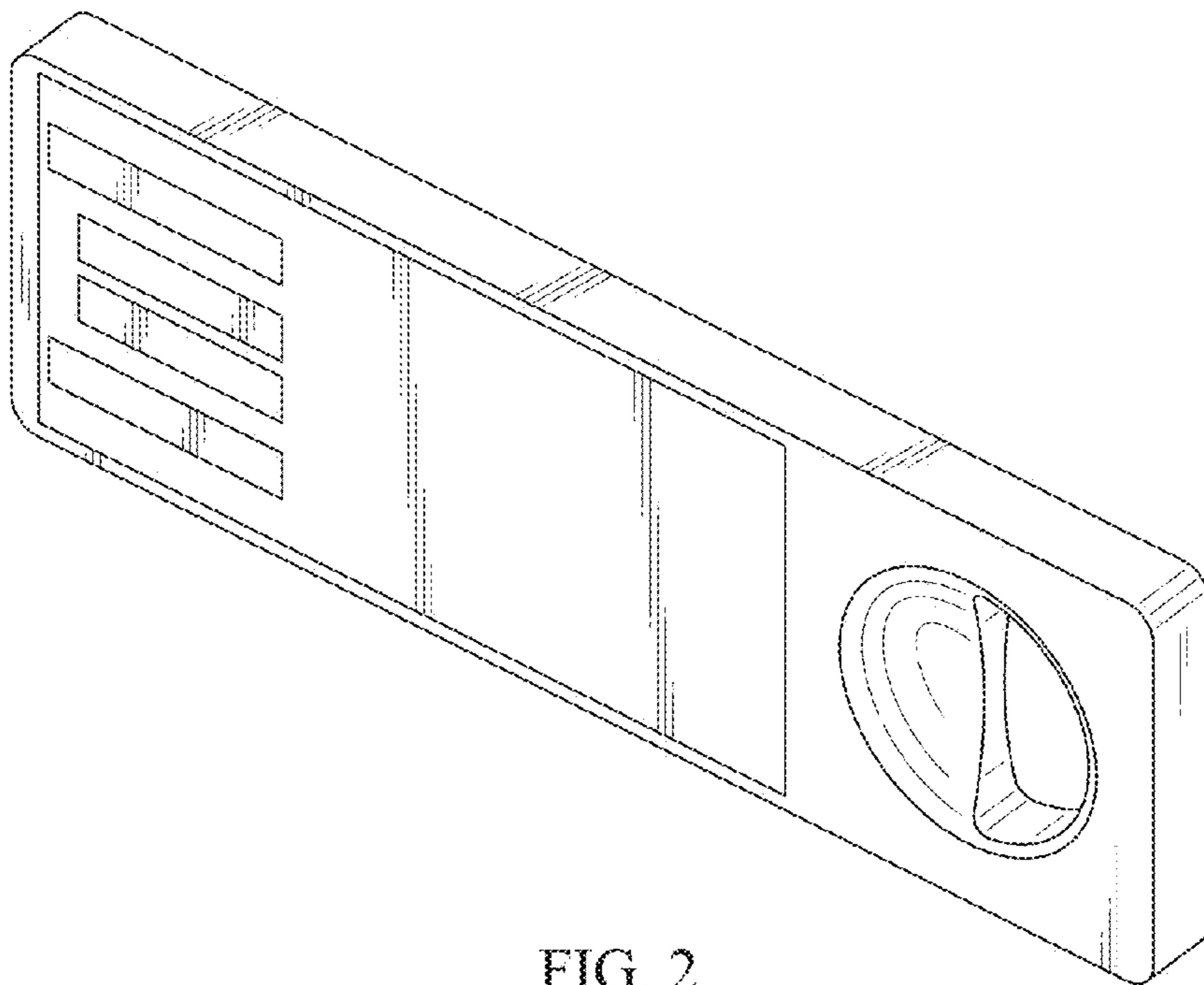


FIG. 2

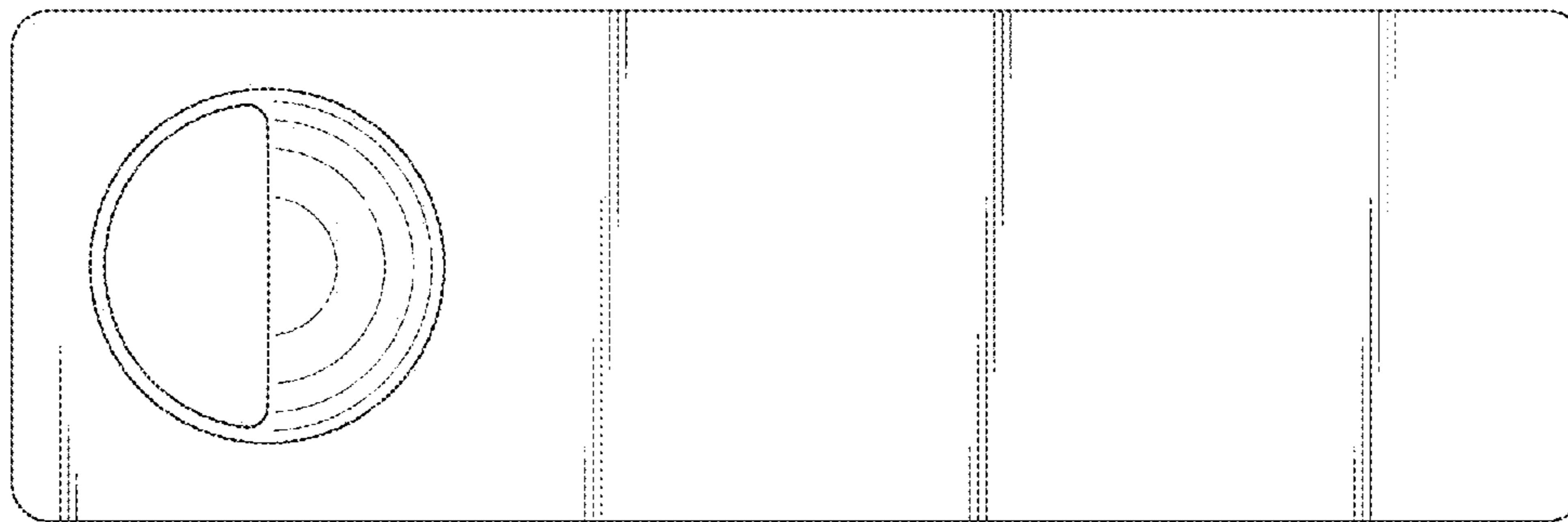


FIG. 3

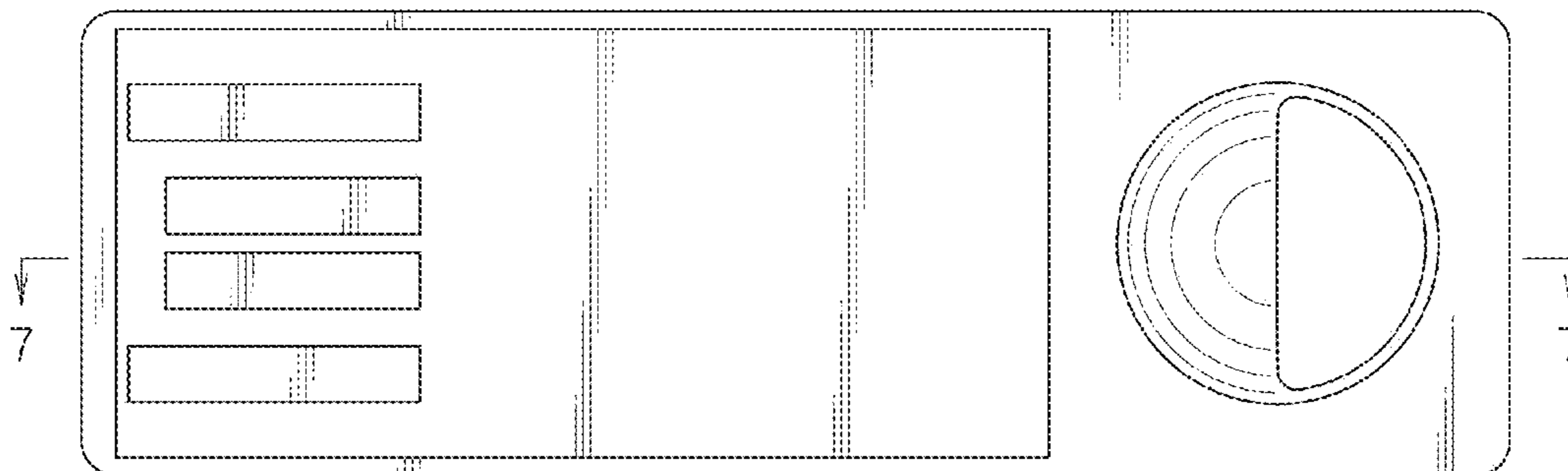


FIG. 4

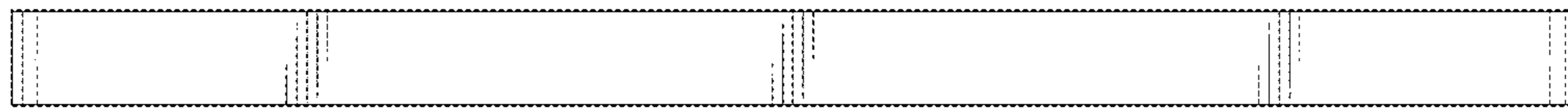


FIG. 5



FIG. 6

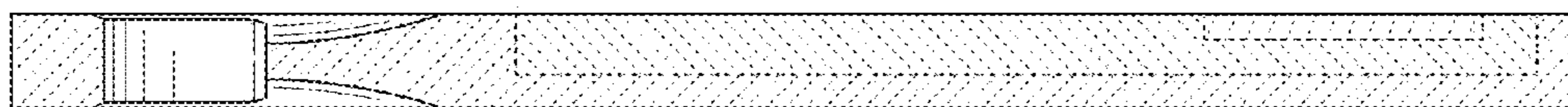


FIG. 7